

FLUA®



KARINA RHOMBUS



Special design of KARINA has already become one of FLUA classical collections. Splendid aureole-shaped light is smoothly diffused on the wall around the lamp. Aluminum cover fixed by special magnetic mechanism, could be easily changed to create new patterns on the wall. KARINA is available with different 4 designs and 2 sizes. Combination of shapes, sizes and colors installed randomly on the wall, can provide best decorative effect for any room.

Designer	FLUA
Sales status	On Sale
Product classification	Interior
Model	427714A

WWW.FLUA.COM

Installation information

Area	Wall
Method	Surface Mounted
Cut hole size	/
Embedded height	/

Technical general

System power	7.5W
Flux	480 lm
Beam angle	L
Material	Aluminum
Appearance color	PAW
Size	223.3*182.5*52.5mm
Adjustable angle	Not available
Ingress protection	IP20
Input voltage	100-240VAC
Electrical level	Class I

Electrical parameters

Driver brand	MEAN WELL
Driver type	APC-8-350
Electrical installation	Build in

Light source parameters

Brand	EDISON
Type	2835
Power	6.4W
Light color	WW
Color temperature	3000K
CRI	90

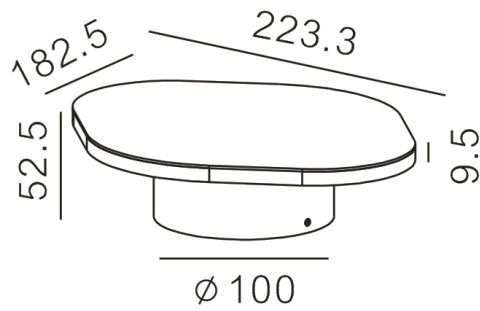
Other options

Beam angle	/
Color temperature	2700K 4000K
Color	/
Appearance color	PAB
Dimming model	427714DT
Dimming mode	TRIAC dimming
Driver brand	DRIARTE
Driver type	FLMT12W350T
Input voltage	220-240VAC

FLUA®

3D module

Line drawing



Unit: mm

Instructions

