

# FLUA®



FAVOR INS S TRIMLESS



---

The series designed with a vertical and hidden deep light source. It's light hole is small. It can provide sufficient brightness, at the same time, it is good to prevent the direct light of your eyes. Complete range of products offer a variety of installation, different power wattages and appearance for options.

---

Designer	FLUA
Sales status	On Sale
Product classification	Interior
Model	178512EA

---

[WWW.FLUA.COM](http://WWW.FLUA.COM)

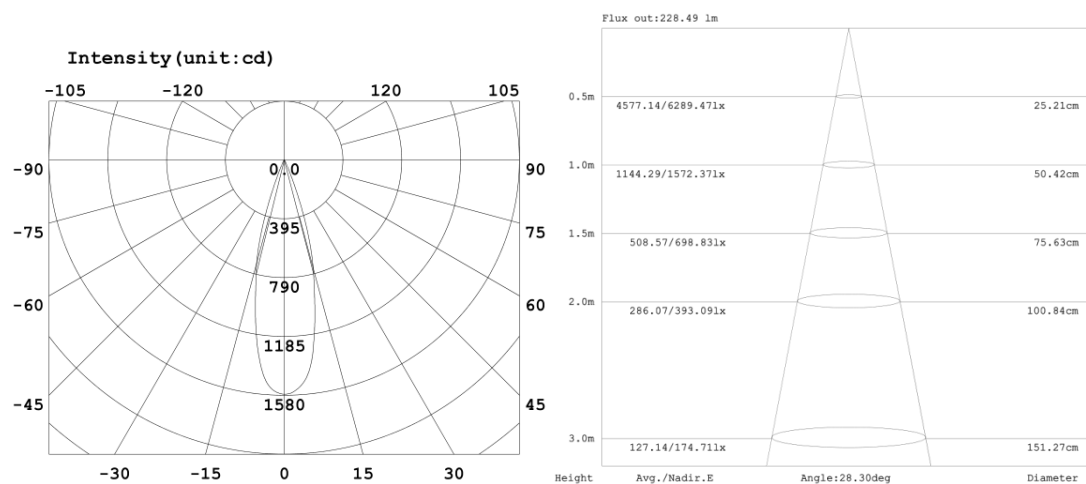
## Installation information

Area	Ceiling
Method	Recessed
Cut hole size	100*90mm
Embedded height	/

## Technical general

System power	11.4W
Flux	388lm
Beam angle	28°
Material	Aluminum
Appearance color	PAW
Size	163*100*110mm
Adjustable angle	Available
Ingress protection	IP20
Input voltage	220-240VAC
Electrical level	Class II

## Photometric graph



## Electrical parameters

Driver brand	FLUA
Driver type	FLUA012H500NCMA
Electrical installation	External

---

## Light source parameters

Brand	FLUA
Type	LT-A3009A
Power	9.5W
Light color	WW
Color temperature	3000K
CRI	90

---

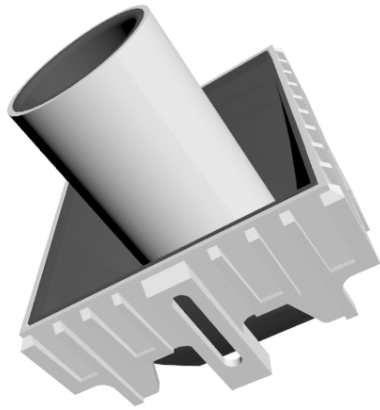
## Other options

Beam angle	19°
Color temperature	2700K 4000K
Color	/
Appearance color	PAB
Dimming model	178512EDT
Dimming mode	TRIAC dimming
Driver brand	HEP
Driver type	LMTC10W500-Z
Input voltage	220-240VAC
Dimming model	178512EDA
Dimming mode	DALI
Driver brand	LTECH
Driver type	SE-12-350-700-W1D
Input voltage	100-240VAC

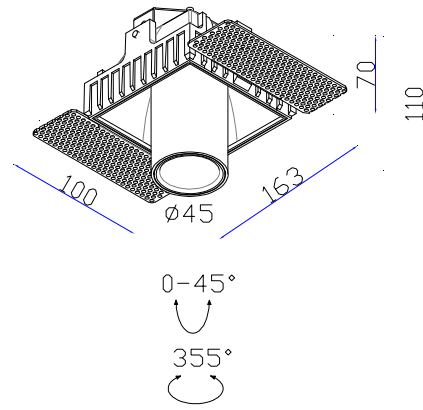
---

# FLUA®

3D module



Line drawing



Unit: mm

## Instructions

