

FLUA®



FAVOR INM S TRIMLESS



The series designed with a vertical and hidden deep light source. It's light hole is small. It can provide sufficient brightness, at the same time, it is good to prevent the direct light of your eyes. Complete range of products offer a variety of installation, different power wattages and appearance for options.

Designer	FLUA
Sales status	On Sale
Product classification	Interior
Model	178612EA

WWW.FLUA.COM

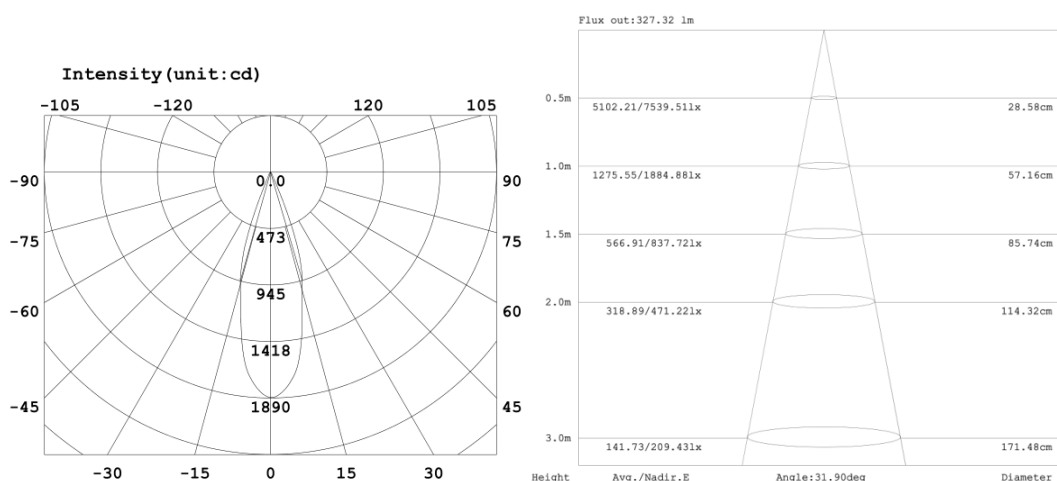
Installation information

Area	Ceiling
Method	Recessed
Cut hole size	110*110mm
Embedded height	/

Technical general

System power	16.4W
Flux	537lm
Beam angle	32°
Material	Aluminum
Appearance color	PAW
Size	183*110*123mm
Adjustable angle	Available
Ingress protection	IP20
Input voltage	220-240VAC
Electrical level	Class II

Photometric graph



Electrical parameters

Driver brand	FLUA
Driver type	FLUA018H0500NCMA
Electrical installation	EXTERNAL

Light source parameters

Brand	FLUA
Type	LT-A3014A
Power	13.9W
Light color	WW
Color temperature	3000K
CRI	90

Other options

Beam angle	18°
Color temperature	2700K 4000K
Color	/
Appearance color	PAB

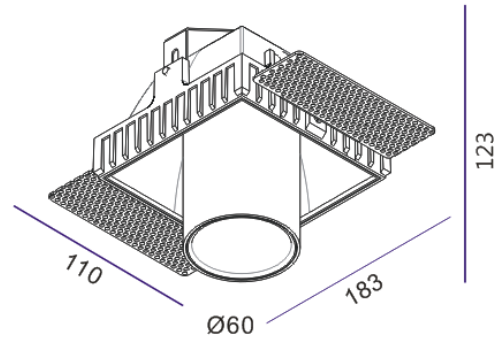
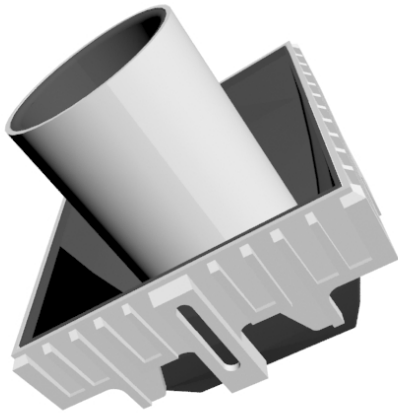
Dimming model	178612EDT
Dimming mode	TRIAC dimming
Driver brand	DRIARTE
Driver type	FLMT20W500T
Input voltage	220-240VAC

Dimming model	178612EDA
Dimming mode	DALI
Driver brand	LTECH
Driver type	DALI-15-100-700-E1A1
Input voltage	220-240VAC

FLUA®

3D module

Line drawing



Unit: mm

Instructions

