

# FLUA®



COMET P



---

The series of 17mm light outlet, provide sufficient light brightness, It's the representative of "see the light but not fitting", trimless makes the concise ceiling perfect.

---

Designer	FLUA
Sales status	On Sale
Product classification	Interior
Model	306914A

---

[WWW.FLUA.COM](http://WWW.FLUA.COM)

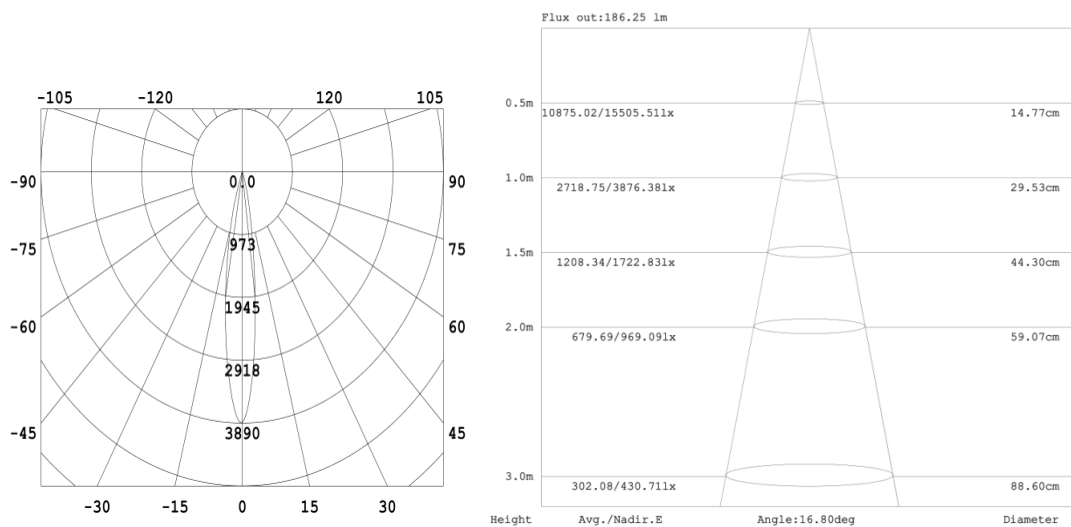
## Installation information

Area	Ceiling
Method	Suspended
Cut hole size	/
Embedded height	/

## Technical general

System power	21.2W
Flux	813lm
Beam angle	18°
Material	Aluminum,
Appearance color	PAW
Size	Φ600*40.5mm
Adjustable angle	Not available
Ingress protection	IP20
Input voltage	220-240VAC
Electrical level	Class I

## Photometric graph



---

## Electrical parameters

Driver brand	KEGU
Driver type	KEDH009S0700NR06A7/KEDH008S0350NR05
Electrical installation	Build in

---

## Light source parameters

Brand	CREE/EDISON
Type	XHP35A/2835
Power	18W
Light color	WW
Color temperature	3000K
CRI	90

---

## Other options

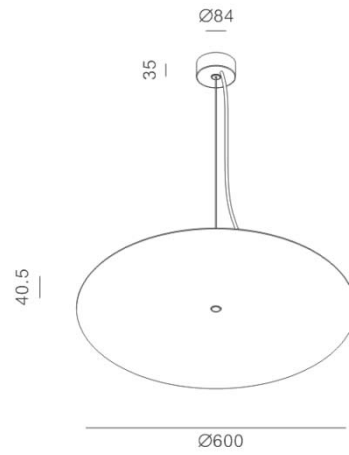
Beam angle	/
Color temperature	/
Color	/
Appearance color	PAB
Dimming model	306914DT
Dimming mode	TRIAC dimming
Driver brand	HEP
Driver type	LMTC10W700-Z
Input voltage	220-240VAC

# FLUA<sup>®</sup>

## 3D module



## Line drawing



Unit: mm

## Instructions

