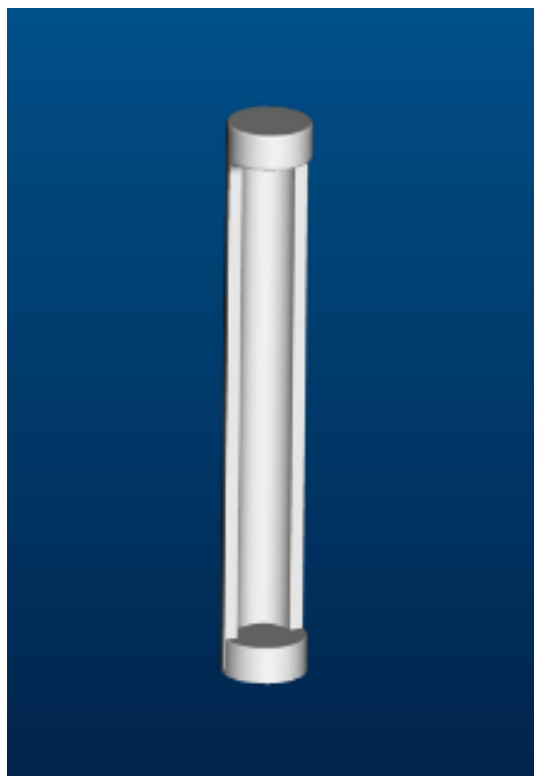


FLUA®



WALLY 600

CCC CE RoHS

"WALLY" is an outdoor light subtly integrated into the architectural texture,
The "WALLY" series uses cement concrete as the base material, integrates lighting and
architecture. The polarized optics used in the products are conducive to light distribution and
soft light output, which can create an atmosphere for outdoor aisles, courtyards, etc. "

| | |
|------------------------|----------|
| Designer | FLUA |
| Sales status | On Sale |
| Product classification | Exterior |
| Model | 739019E |

WWW.FLUA.COM

Installation information

| | |
|-----------------|-----------------|
| Area | Ground |
| Method | Surface mounted |
| Cut hole size | / |
| Embedded height | / |

Technical general

| | |
|--------------------|---------------|
| System power | 8.3W |
| Flux | 202lm |
| Beam angle | P |
| Material | Cement |
| Appearance color | CMC |
| Size | Φ 120*600mm |
| Adjustable angle | Not available |
| Ingress protection | IP65 |
| Input voltage | 100-240VAC |
| Electrical level | Class II |

Electrical parameters

| | |
|-------------------------|-------------|
| Driver brand | DRIARTE |
| Driver type | FLMN10W200T |
| Electrical installation | Build in |

Light source parameters

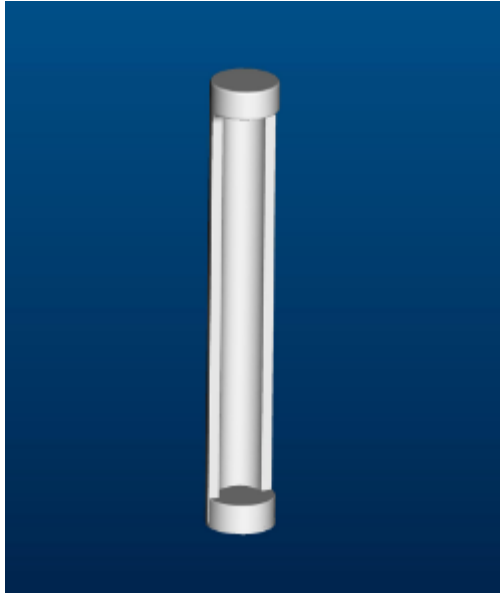
| | |
|-------------------|----------------|
| Brand | LEDTEEN |
| Type | GZ111-016-1204 |
| Power | 7W |
| Light color | WW |
| Color temperature | 2700K |
| CRI | 90 |

Other options

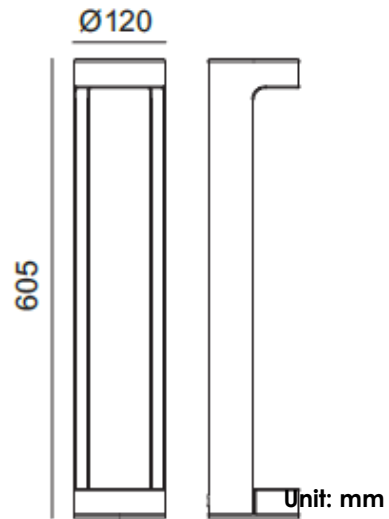
| | |
|-------------------|---------------|
| Beam angle | / |
| Color temperature | 3000K / 4000K |
| Color | / |
| Appearance color | / |

FLUA®

3D module



Line drawing



Instructions

