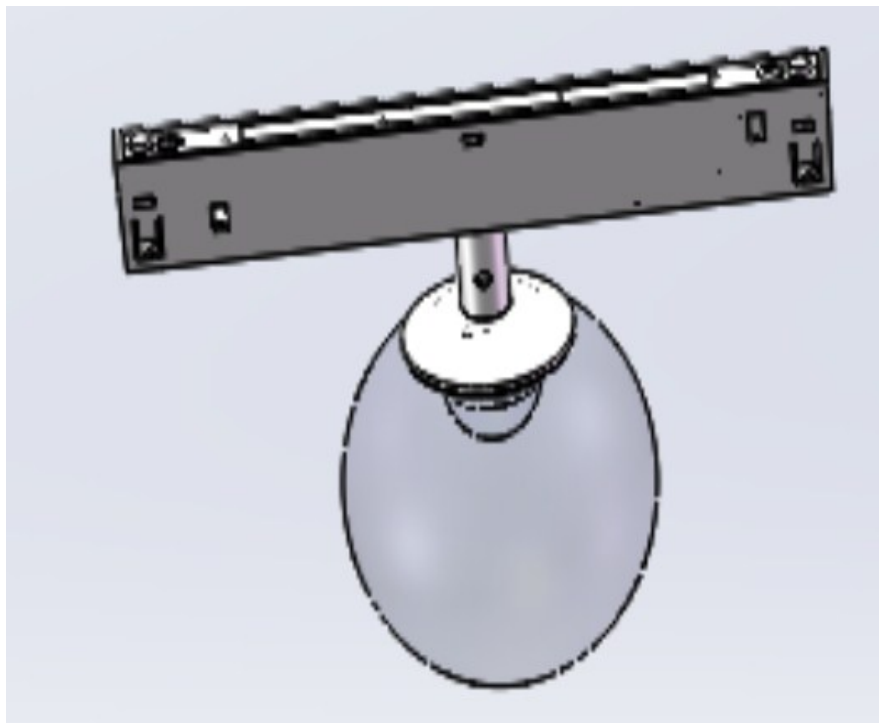


FLUA®



VIGRO CK SS

CCC CE RoHS

Crystal-ball shape luminaire - VIRGO with flood light source creates a fascinating spacial art. VIRGO can be used as pendant lamp and also suitable for various track systems, which enables use of surface and recessed mounted. Matte black, and champagne gold for options, also available for DALI and FLUA Lighting Home APP dimming.

Designer	FLUA
Sales status	On Sale
Product classification	Interior
Model	557319AP

WWW.FLUA.COM

Installation information

Area	Ceiling
Method	Track
Cut hole size	/
Embedded height	/

Technical general

System power	2.9W
Flux	151lm
Beam angle	L
Material	Aluminum
Appearance color	WBL
Size	Φ80*130mm
Adjustable angle	Not available
Ingress protection	IP20
Input voltage	48VDC
Electrical level	ClassIII

Electrical parameters

Driver brand	DRIARTE
Driver type	DW350-700L
Electrical installation	Build in

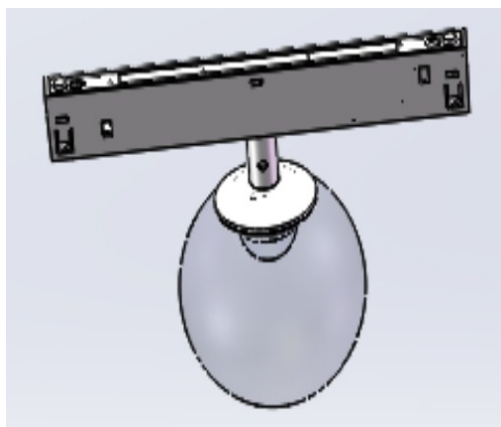
Light source parameters

Brand	HONGLI
Type	HL-A-2835
Power	2.1W
Light color	WW
Color temperature	3000K
CRI	90

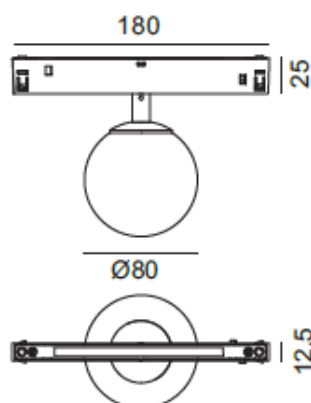
Other options

Beam angle	/
Color temperature	/
Color	/
Appearance color	WLG

3D module



Line drawing



Unit: mm

FLUA®

Instructions

