

# FLUA®



**PAPER PS DO 2.0**



---

Application of the light guide plate, makes the light emitting side possible; thus reduce the thickness of the lamp, so PAPER Series' appearance is thin as a paper. It use high quality diffused material, so that the light efficiency can be the perfect present. The entire series is contained ceiling surface mounted and suspended two installation methods, including a variety of sizes, shapes, so that a wider application areas.

---

<b>Designer</b>	FLUA
<b>Sales status</b>	On Sale
<b>Product classification</b>	Interior
<b>Model</b>	325714AP

---

[WWW.FLUA.COM](http://WWW.FLUA.COM)

## Installation information

Area	Ceiling
Method	Suspended
Cut hole size	/
Embedded height	/

---

## Technical general

System power	48W
Flux	2250lm
Beam angle	L
Material	Aluminum
Appearance color	WBL
Size	1200*300*16mm
Adjustable angle	Not available
Ingress protection	IP20
Input voltage	90-264VAC
Electrical level	Class I

---

## Electrical parameters

Driver brand	DRIARTE
Driver type	FLDW5A2CHT
Electrical installation	Build in
Dimming mode	DIM COLOR by Tuya

---

## Light source parameters

Brand	EDISON
Type	2835
Power	45.3W
Light color	CW-NW-WW
Color temperature	2700-5700K
CRI	90

---

## Other options

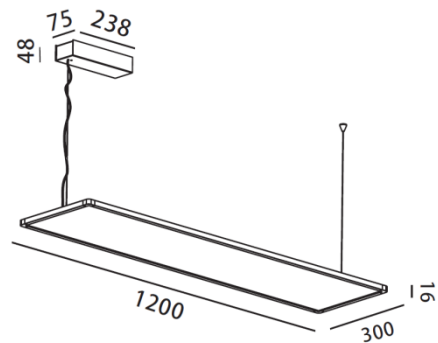
Beam angle	/
Color temperature	/
Color	/
Appearance color	WWH

---

## 3D module



## Line drawing



Unit: mm

## Instructions

