

# FLUA®



LOOP 1.1 IN 12



---

There are recessed ceiling lamps and pendant lamps in this series, users select the desired product according to the actual application. The ceiling recessed one is using the magnet, the lamps are installed by a magnet to the base of the luminair. Totally three sizes to be selected: 12 \* 2.2W / 24 \* 2.2W / 36 \* 2.2W.

---

Designer	FLUA
Sales status	On Sale
Product classification	Interior
Model	194817DT

---

WWW.FLUA.COM

## Installation information

Area	Ceiling
Method	Recessed
Cut hole size	Φ310mm
Embedded height	/

---

## Technical general

System power	32.2W
Flux	1776lm
Beam angle	12°
Material	Aluminum
Appearance color	PAW
Size	Φ375*59mm
Adjustable angle	Not available
Ingress protection	IP20
Input voltage	220-240VAC
Electrical level	Class II

---

## Electrical parameters

Driver brand	DRIARTE
Driver type	FLMT20W700T
Electrical installation	External
Dimming mode	TRIAC dimming

---

## Light source parameters

Brand	OSRAM
Type	GW CSHPM1.EM-KULO
Power	12*2.2W
Light color	WW
Color temperature	3000K
CRI	90

---

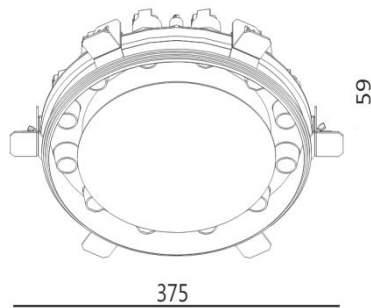
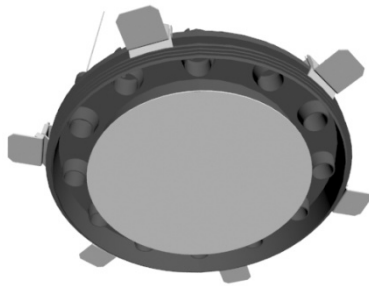
## Other options

Beam angle	/
Color temperature	2700K 4000K
Color	/
Appearance color	PAB
Dimming model	194817DA
Dimming mode	DALI
Driver brand	LTECH
Driver type	DALI-15-100-700-E1A1
Input voltage	220-240VAC

---

3D module

Line drawing



Unit: mm

## Instructions

