

FLUA®



KUBIK IN M+ DOUBLE



Square looking, with the ceiling recessed mounting, ceiling surface, and wall surface design. Triac dimming function can meet your different light requirement. Recessed could be combined with three kinds of frames, users can select the desired one according to their demands. The covers of surface mounted products are easy to install, customers can easily replace the surface cover into different colors, to make life colorful.

Designer	RUAN XIAO MING
Sales status	On Sale
Product classification	Interior
Model	167022EA

WWW.FLUA.COM

Installation information

Area	Ceiling
Method	Recessed
Cut hole size	155*70mm
Embedded height	/

Technical general

System power	2*18.3W
Flux	2174lm
Beam angle	36°
Material	Aluminum
Appearance color	WWH-WBL
Size	173*90*82mm
Adjustable angle	Not available
Ingress protection	IP20
Input voltage	220-240VAC
Electrical level	ClassII

Electrical parameters

Driver brand	FLUA
Driver type	2*FLUA018H0700NCMA
Electrical installation	External

Light source parameters

Brand	FLUA
Type	LT-A3015I
Power	2*15.47W
Light color	WW
Color temperature	3000K
CRI	90

Other options

Beam angle	28° 48°
Color temperature	2700K 4000K 5000K
Appearance color	WWH-WWH/WBL-WBL/WBL-WWH/WSG-WWH/ WGL-WWH/WGL-WBL

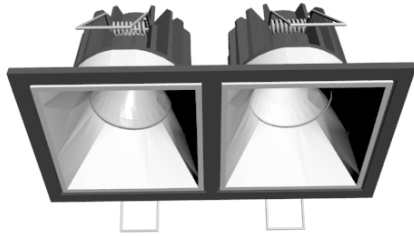
Dimming model	167022EDT
Dimming mode	TRIAC dimming
Driver brand	MEAN WELL
Driver type	PCD-40-700B
Input voltage	180-295VAC

Dimming model	167022EDX
Dimming mode	0-10V dimming
Driver brand	HEP
Driver type	2*LBC20W700-1CZ UNI
Input voltage	120-277 VAC

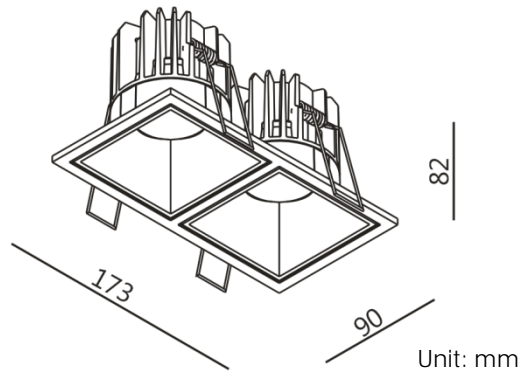
Dimming model	167022EDA
Dimming mode	DALI
Driver brand	LTECH
Driver type	DALI-36-200-1200-E1A1
Input voltage	220-240VAC

FLUA®

3D module



Line drawing



Instructions

