

FLUA®



GEN CK S

  **RoHS**

Good lighting can reproduce the charm and vitality of the artwork, just like opening a skylight for a dusty treasure, and let the story behind it slowly tell.

Designer	FLUA
Sales status	On Sale
Product classification	Interior
Model	551419EDA

WWW.FLUA.COM

Installation information

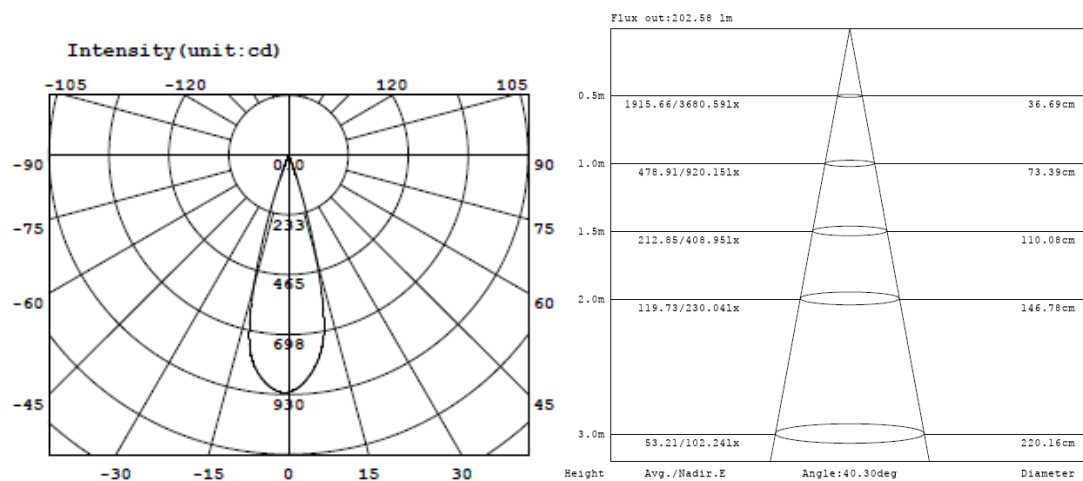
Area	Ceiling
Method	Track
Cut hole size	/
Embedded height	/

Technical general

System power	11.6W
Flux	275lm
Beam angle	A(19° -40°)
Material	Aluminum
Appearance color	PAB
Size	Φ46*170mm
Adjustable angle	Available
Ingress protection	IP20
Input voltage	48VDC
Electrical level	ClassIII

Photometric graph

最小光圈



Electrical parameters

Driver brand	DRIARTE
Driver type	DL30W300L-V1
Electrical installation	Build in

Light source parameters

Brand	LEDTEEN
Type	GZ111-016-1204
Power	10.7W
Light color	WW
Color temperature	3000K
CRI	90

Other options

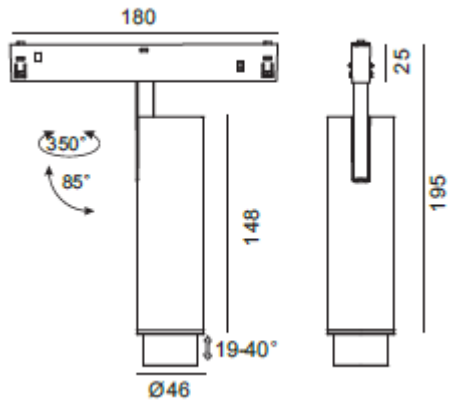
Beam angle	/
Color temperature	2700K 4000K 5000K
Color	/
Appearance color	PAW

FLUA®

3D module



Line drawing



Unit: mm

Instructions

