

# FLUA®



**FAVOR INM R TRIMLESS**



---

The series designed with a vertical and hidden deep light source. It's light hole is small. It can provide sufficient brightness, at the same time, it is good to prevent the direct light of your eyes. Complete range of products offer a variety of installation, different power wattages and appearance for options.

---

<b>Designer</b>	FLUA
<b>Sales status</b>	On Sale
<b>Product classification</b>	Interior
<b>Model</b>	178412EA

---

[WWW.FLUA.COM](http://WWW.FLUA.COM)

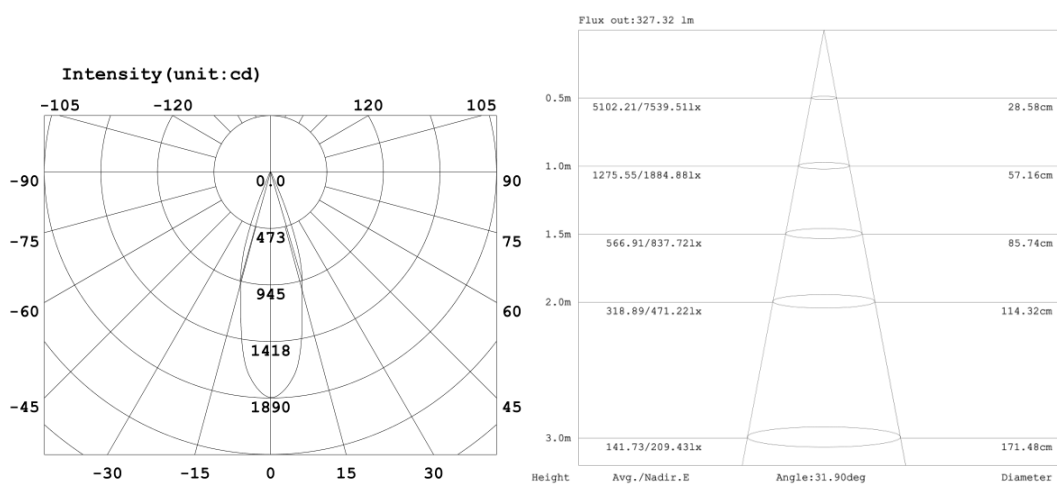
## Installation information

Area	Ceiling
Method	Recessed
Cut hole size	Φ125mm
Embedded height	/

## Technical general

System power	16.4W
Flux	537lm
Beam angle	32°
Material	Aluminum
Appearance color	PAW
Size	160*110*123mm
Adjustable angle	Available
Ingress protection	IP20
Input voltage	100-240VAC
Electrical level	Class II

## Photometric graph



## Electrical parameters

Driver brand	MEAN WELL
Driver type	APC-25-500
Electrical installation	EXTERNAL

---

## Light source parameters

Brand	FLUA
Type	LT-A3014A
Power	13.9W
Light color	WW
Color temperature	3000K
CRI	90

---

## Other options

Beam angle	18°
Color temperature	2700K 4000K
Color	/
Appearance color	PAB

Dimming model	178412EDT
Dimming mode	TRIAC dimming
Driver brand	DRIARTE
Driver type	FLMT20W500T
Input voltage	220-240VAC

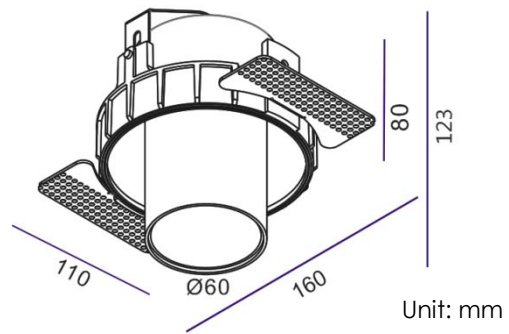
Dimming model	178412EDA
Dimming mode	DALI
Driver brand	LTECH
Driver type	DALI-15-100-700-E1A1
Input voltage	220-240VAC

---

3D module



Line drawing



## Instructions

