

FLUA®



FAVOR CK S



The series designed with a vertical and hidden deep light source. It's light hole is small. It can provide sufficient brightness, at the same time, it is good to prevent the direct light of your eyes. Complete range of products offer a variety of installation, different power wattages and appearance for options.

Designer	FLUA
Sales status	On Sale
Product classification	Interior
Model	501401EAP

Installation information

Area	Ceiling
Method	Track

FLUA®

Cut hole size /
Embedded height /

Technical general

System power 9.6W
Flux 360lm
Beam angle 28°
Material Aluminum
Appearance color PAW
Size $\Phi 96*170$ mm
Adjustable angle Available
Ingress protection IP20
Input voltage 48VDC
Electrical level Class III

Photometric graph

Electrical parameters

Driver brand DRIARTE
Driver type DW350-700L
Electrical installation Build in

Light source parameters

Brand LEDTEEN
Type LT-A3009A30S12.5*12.
Power 9.5W
Light color WW
Color temperature 3000K

FLUA®

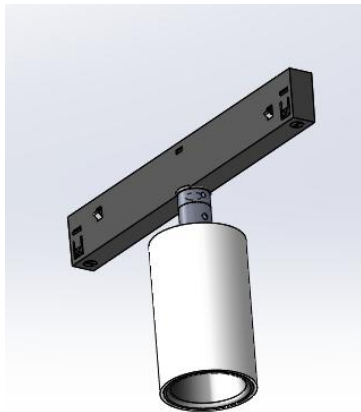
CRI

90

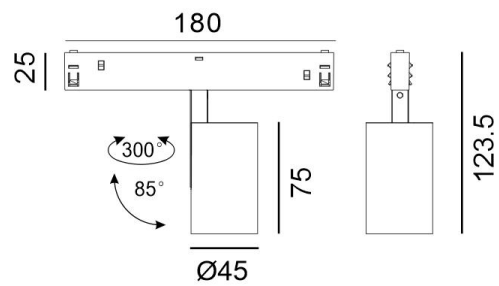
Other options

Beam angle	19° 28°
Color temperature	2700K 3000K 3500K 4000K
Color	/
Appearance color	PAB

3D module



Line drawing



Unit: mm

Instructions

FLUA®

