

FLUA®



BERT RM DO



A series of slim rings floating through space, with its retro-look appearance is the best choice for many applications. 3 diameters are available for choice. This circle of leds is specially designed to guarantee a uniform and perfectly balanced light output, resulting in a very enjoyable diffuse lighting effect

Designer	ZCJ
Sales status	On Sale
Product classification	Interior
Model	324814AP2

WWW.FLUA.COM

Installation information

Area	Celing
Method	Suspended
Cut hole size	/
Embedded height	/

Technical general

System power	58W
Flux	3190lm
Beam angle	L
Material	Aluminum
Appearance color	PAB
Size	Φ 905*18mm
Adjustable angle	Not available
Ingress protection	IP20
Input voltage	100-240VAC
Electrical level	Class I

Electrical parameters

Driver brand	DRIARTE
Driver type	FLDW5A2CHT
Electrical installation	Build in
Dimming mode	DIM COLOR by Tuya

Light source parameters

Brand	HONGLI
Type	2835
Power	50.4W
Light color	CW-NW-WW
Color temperature	2700-6000K
CRI	80

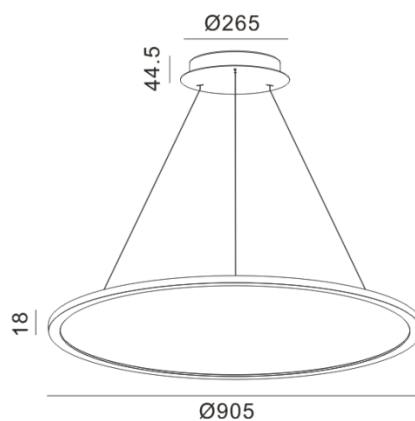
Other options

Beam angle	/
Color temperature	/
Color	/
Appearance color	/

3D module



Line drawing



Unit: mm

FLUA®

Instructions

Accessory Set

4x screws
4x Allen key
2.0MM

1 Disassemble

Twist screw, rotate out

2 hole pattern

Drill holes in the hole pattern

3

Install screws (x4)

4

Connect wires to the light fixture

5

Adjustable height (1, 2, 3, 4, 5, 6, 7, 8, 9, 10, 11, 12, 13, 14, 15, 16, 17, 18, 19, 20, 21, 22, 23, 24, 25, 26, 27, 28, 29, 30, 31, 32, 33, 34, 35, 36, 37, 38, 39, 40, 41, 42, 43, 44, 45, 46, 47, 48, 49, 50, 51, 52, 53, 54, 55, 56, 57, 58, 59, 60, 61, 62, 63, 64, 65, 66, 67, 68, 69, 70, 71, 72, 73, 74, 75, 76, 77, 78, 79, 80, 81, 82, 83, 84, 85, 86, 87, 88, 89, 90, 91, 92, 93, 94, 95, 96, 97, 98, 99, 100)

AC100-240V

6

Install the light fixture

Please use dry non-woven fabric to clean the light guide
Can not touch water

7

1. Open TuyaSmart app
2. Search for the device
3. Select the device
4. Add manually
5. Confirm to pair
6. Enter WiFi password
7. Connecting
8. Added successfully

8

Light fixture diagram