

FLUA®



ABACO CK S



This multi-functional spot has already become a great choice for the museums, galleries and cultural centers where the light effect is highly required. Thanks to special function, the light can be adjusted with the required focusing. In addition, the light can create three different shapes for better-focused light effect. The adapter with built-in driver makes it possible to reduce the cylinder size, making the luminaire as miniature as possible.

| | |
|-------------------------------|-----------|
| Designer | FLUA |
| Sales status | On Sale |
| Product classification | Interior |
| Model | 546319EAP |

WWW.FLUA.COM

Installation information

| | |
|-----------------|---------|
| Area | Ceiling |
| Method | Track |
| Cut hole size | / |
| Embedded height | / |

Technical general

| | |
|--------------------|------------|
| System power | 6.8W |
| Flux | 145lm |
| Beam angle | A(11°-15°) |
| Material | Aluminum |
| Appearance color | ABS |
| Size | Φ42*220mm |
| Adjustable angle | Available |
| Ingress protection | IP20 |
| Input voltage | 48VDC |
| Electrical level | ClassIII |

Electrical parameters

| | |
|-------------------------|------------|
| Driver brand | DRIARTE |
| Driver type | DW350-700L |
| Electrical installation | Build in |
| Dimming mode | DIM COLOR |

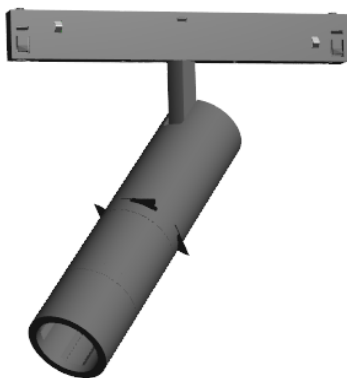
Light source parameters

| | |
|-------------------|-------|
| Brand | FLUA |
| Type | GZ118 |
| Power | 6.2W |
| Light color | WW |
| Color temperature | 3000K |
| CRI | 90 |

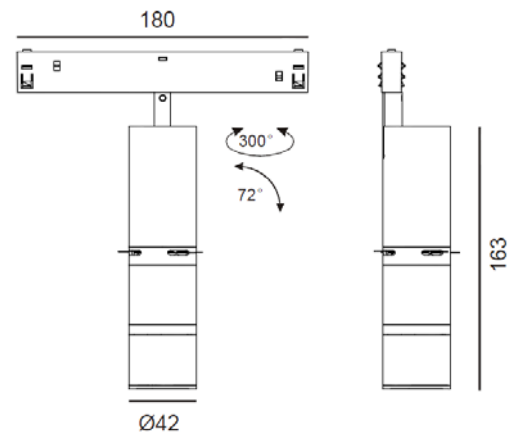
Other options

| | |
|-------------------|-------------|
| Beam angle | / |
| Color temperature | 2700K 4000K |
| Color | / |
| Appearance color | / |

3D module



Line drawing



Unit: mm

Instructions

