



KULTHORN KIRBY
PUBLIC COMPANY LIMITED



BRISTOL
COMPRESSORS™

Compressor solutions that exceed expectations



COMPANY HISTORY

Kulthorn Kirby was the first hermetic compressor manufacturer in Thailand, established with Thailand Board of Investment promotion in 1980. The company was officially opened on January 13, 1982, with the initial production output of over 100,000 compressors in the first year of operation. Later, the production capacity was expanded to 5,500,000 units/year, of which more than 70% are exported worldwide. In 1991, the company was listed in the Stock Exchange of Thailand with 500 millions Baht registered capital and in 2019, registered capital was increased to 1,500 millions.

Kulthorn Kirby specializes in the manufacture of hermetic reciprocating compressors for domestic refrigerators, commercial refrigeration systems and air conditioners. We believe in our vision, which is to be the producer of best quality, world standard products that best meet our customers' needs. With our concern for the environment and for meeting relevant safety standards, Kulthorn Kirby compressors are approved to many international performance and safety standards such as CE, UL, TUV, CCC, SASO and TISI.

NAME:	Kulthorn Kirby Public Company Limited
Company Registration No:	0107537002150 (Bor Mor Jor. 462)
Established:	24 March 1980
Grand Opening:	13 January 1982
Head Office & Factory:	126 Soi Chalong Krung 31, Chalong Krung Road, Lat Krabang Ind. Est., Khwaeng Lam PlaThio, Khet Lat Krabang, Bangkok 10520, Thailand
Telephone:	(66) 2326 0831
Fax:	(66) 2326 0837,2739 4892
E-mail:	
Web site:	www.kulthorn.com
Employees:	1,500 persons
Land area:	65-3-2 rai (21 Acres)
Factory space:	85,300 sq.m.
Product:	Hermetic Motor Compressors for Refrigeration and Air-Conditioning Products
Brand name:	KULTHORN
Plant capacity:	4 million units/year of refrigeration compressors and 1.5 million units/year of air-conditioning compressors
Major Shareholders:	Simakulthorn Group Heatcraft Australia Pty Ltd. Original Equipment Manufacturers
Subsidiaries:	<ul style="list-style-type: none"> • Kulthorn Kirby Foundry Co., Ltd. • Kulthorn Steel Co., Ltd. • Kulthorn Research and Development Co., Ltd. • Kulthorn Premier Co., Ltd. • Kulthorn Materials & Controls Co., Ltd. • Suzhou Kulthorn Magnet Wire Co., Ltd.



MODEL NUMBER SYSTEM

AE 2 4 25 N - 1

- Abbreviated Nominal Rated BTU Capacity at 60Hz.
- In this example (4) total digits, with the first two (14) indicating 1,400 BTU/Hr. capacity.

Electricity Supply Code

- None - 220 - 240V/50Hz
- 1 - 115V/60Hz
- 2 - 208-230V/60HZ
- 3 - 100V/50-60HZ
- 4 - 110V/60Hz
- 5 - 127V/60Hz
- 6 - 220-240V/50HZ,
208-230V/60Hz
- 7 - 127V/50-60HZ
- 8 - 110-115V/60Hz

3PHASE

- 9 = 380-420V/50HZ,
460V/60Hz
- XG = 380-420V/50HZ,
440-460V/60Hz
- XT = 200-220V/50HZ,
200-230V/60Hz
- XI = 380V/60HZ
- XK = 480V/60HZ

Refrigerant

- B - R410A
- E - R22
- G - R22/R407C
- M - R600a
- N - R290
- Y - R134a
- Z - R404A/R507

Application

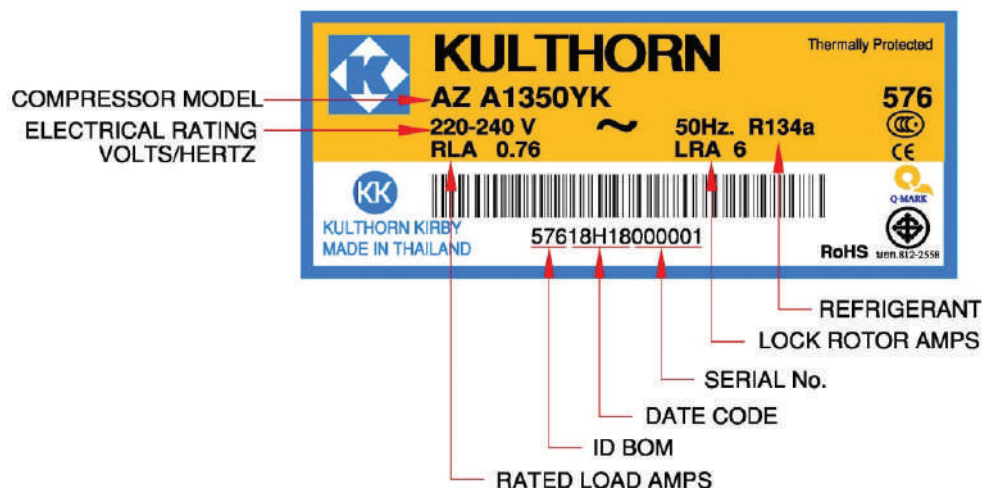
- 1 = Low Back Pressure. Motor With Normal Starting Torque.
- 2 = Low Back Pressure. Motor With High Starting Torque.
- 3 = High Back Pressure. Motor With Normal Starting Torque.
- 4 = High Back Pressure. Motor With High Starting Torque.
- 5 = Air Conditioning. Motor With Normal Starting Torque.
- 6 = Medium Back Pressure. Motor With Normal Starting Torque.
- 7 = Medium Back Pressure. Motor With High Starting Torque.
- 8 = Air Conditioning (High eff.) Motor with Normal Starting Torque.
- 9 = Commercial Back Pressure. Motor with High Starting Torque.
- 0 = Commercial Back Pressure. Motor with Normal Starting Torque.

Compressor Family: AZ-AZA-AE-BA-CA-WJ-AW-KA-LA

Cooling Capacity (Watt)																
Model	Power (HP)	Disp. (cc)	ASHRAE 32 / Evaporating Temperature										Motor Type	Start Cap. (μ F/VAC)	Run Cap. (μ F/VAC)	Height "A" (mm)
			-35°C	-30°C	-25°C	-23.3°C				-20°C	-15°C	-10°C				
						Watt	BTU	Input	COP							
220-240V/50Hz / 1 Ph.																
AZA2410N	1/4	5.59	138	179	235	260	887	186	1.40	325	429	541	RSIR	36~43/330	—	178
AZA2413N	1/3	6.00	157	203	265	295	1007	210	1.40	369	487	630	CSIR	36~43/330	—	178
AE2413N	1/3	6.92	187	231	287	312	1065	244	1.28	377	481	593	CSIR	43~52/330	—	184
AE2415N	3/8	8.10	256	300	356	381	1300	283	1.35	446	550	662	CSIR	43~52/331	—	184
AE2417N	1/2	9.42	236	305	400	445	1518	343	1.30	545	734	950	CSIR	36~43/330	—	184
AE2425N	5/8	16.08	250	395	547	605	2064	445	1.36	720	900	1100	CSR	43~52/330	8/450	215
AE2428N	3/4	18.00	350	505	670	738	2518	628	1.18	860	1060	1250	CSR	88~106/330	20/440	215
CA2435N	7/8	22.30	444	609	785	854	2914	733	1.17	1010	1240	1482	CSR	88~106/330	20/440	215
WJ2450N	1-1/8	30.50	489	685	980	1105	3770	814	1.36	1389	1839	2353	CSR	145~174/330	25/425	264
115V/60Hz / 1 Ph.																
AE2417N-1	7/16	9.42	399	443	499	524	1788	430	1.22	589	693	805	CSIR	108~130/330	—	196
AE2425N-1	3/5	16.08	300	460	640	710	2423	568	1.25	855	1080	1320	CSR	108-130/330	20/440	215
CA2432N-1	5/6	20.00	340	590	860	962	3282	780	1.23	1140	1420	1700	CSR	130-156/330	30/450	215
CA2435N-1	7/8	22.30	500	740	990	1084	3699	860	1.26	1260	1550	1850	CSR	130-156/330	30/450	215
WJ2450N-1	1-1/5	30.50	621	880	1235	1404	4790	1030	1.36	1755	2336	2988	CSR	243-292/250	40/425	264
208-230V/60Hz / 1 Ph.																
WJ2440N-2	5/6	26.75	520	655	860	1000	3412	757	1.32	1380	2010	2650	CSR	145~174/330	30/440	264
WJ2450N-2	1-1/5	30.50	621	880	1235	1407	4801	1080	1.30	1755	2336	2988	CSR	145~174/330	30/440	264
220-240V / 50Hz, 208-230V / 60Hz / 1 Ph.																
BA2425N-6	3/4	14.14	376	469	591	640	2184	450	1.42	745	933	1157	CSR	43~52/330	8/450	215
			421	580	747	804	2743	512	1.57	917	1089	1260				

R290 LBP/MBP

Cooling Capacity (Watt)																		
Model	Power (HP)	Disp. (cc)	ASHRAE 46 / Evaporating Temperature											Motor Type	Start Cap. (μ F/VAC)	Run Cap. (μ F/VAC)	Height "A" (mm)	
			-20°C	-15°C	-10°C	-23.3°C				-5°C	-6.7°C	0°C	5°C					10°C
						Watt	BTU	Input	COP									
220-240V / 50Hz / 1 Ph.																		
BA2425N	2/3	14.14	471	523	584	636	2170	432	1.47	662	1382	1474	1579	1684	CSR	43~52/330	8/450	215
BA2428N	3/4	16.08	596	648	709	761	2597	570	1.34	787	1540	1632	1737	1842	CSR	43~52/330	20/440	215
115V / 60Hz / 1 Ph.																		
BA2425N-1	2/3	14.14	670	714	770	795	2713	530	1.50	821	1950	2042	2147	2252	CSR	108~130/250	15/450	215
BA2432N-1	5/6	18.00	880	924	980	1005	3429	720	1.40	1031	2010	2102	2207	2312	CSR	189~227/330	35/450	215



R290 MBP/CBP

Cooling Capacity (Watt)																		
Model	Power (HP)	Disp. (cc)	ASHRAE 46 / Evaporating Temperature												Motor Type	Start Cap. (µF/VAC)	Run Cap. (µF/VAC)	Height "A" (mm)
			-20°C	-15°C	-10°C	-6.7°C				-5°C	0°C	5°C	7.2°C	10°C				
						Watt	BTU	Input	COP									
220-240V / 50Hz / 1 Ph.																		
AE9415N	1/5	5.48	215	267	328	380	1297	253	1.50	406	498	590	650	690	CSIR	36~43/250	—	188
AE9422N	1/4	7.57	306	388	478	540	1842	348	1.55	579	696	834	901	995	CSIR	36~43/330	—	188
AE9426N	1/3	8.86	382	472	575	950	2218	394	1.65	693	829	984	1060	1163	CSR	36~43/330	8/450	197
						1090	3720	485	2.25									
AE9435N	1/3	12.05	540	660	780	870	2968	483	2.30	925	1080	1245	1490	1595	CSR	36~43/329	8/450	212
AE9440N	1/2	14.14	610	757	925	1050	3583	583	1.80	1125	1360	1620	1760	1920	CSR	36~43/330	12/440	212
AE9445N	3/5	16.08	686	850	1040	1180	4026	715	1.65	1262	1512	1800	2000	2158	CSR	36~43/330	15/440	212
						2000	6824	851	2.35									
AE9450N	2/3	18.00	791	980	1199	1360	4640	777	1.75	1455	1743	2100	2300	2486	CSR	36~43/330	15/440	217
115V / 60Hz / 1 Ph.																		
AZA0410N-1	1/6	3.59	120	175	240	290	989	165	1.76	315	405	510	602	638	RSIR	—	—	178
AZA0413N-1	1/8	4.00	175	230	290	340	1160	194	1.75	370	470	600	692	748	RSIR	—	—	178
AZA0416N-1	1/5	5.00	285	340	400	450	1535	264	1.70	485	600	770	862	990	RSIR	—	—	178
220-240V / 50Hz, 60Hz / 1 Ph.																		
AZA0413N-6	1/6	4.00	196	245	299	340	1160	194	1.75	366	450	560	652	678	RSIR	—	—	178
			231	275	336	400	1365	229	1.75	431	545	660	752	775				
AZA9413N-6	1/6	4.00	165	217	278	330	1126	165	2.00	356	448	540	632	737	CSR	36~43/330	8/450	178
			235	287	348	400	1365	200	2.00	426	518	610	702	807				
AZA9417N-6	1/5	5.00	245	297	358	410	1399	205	2.00	436	528	620	712	817	CSR	36~43/330	10/440	178
			335	387	448	500	1706	250	2.00	526	618	710	802	907				
AZA9420N-6	1/4	6.00	350	402	463	515	1757	245	2.10	541	633	725	817	922	CSR	36~43/330	10/440	178
			446	498	559	611	2085	291	2.10	637	729	821	913	1018				
AE9426N-6	1/3	8.86	485	537	598	650	2218	419	1.55	676	768	860	952	1057	CSR	43~52/330	8/450	196
			617	669	730	782	2668	444	1.76	808	900	992	1084	1189				
AE9430N-6	1/3	10.26	635	687	748	800	2730	400	2.00	826	918	1010	1102	1207	CSR	43~52/330	15/440	197
			835	887	948	1000	3412	454	2.20	1026	1118	1210	1303	1408				
AE9435N-6	3/8	12.04	705	757	818	870	2968	435	2.00	896	988	1080	1172	1277	CSR	43~52/330	15/440	212
			935	987	1048	1100	3753	500	2.20	1126	1218	1310	1402	1507				
AE9440N-6	1/2	14.14	885	937	998	1050	3583	525	2.00	1076	1168	1260	1352	1457	CSR	43~52/330	40/370	212
			1135	1187	1248	1300	4436	590	2.20	1326	1418	1510	1602	1707				

R290 MBP/HBP

Cooling Capacity (Watt)																		
Model	Power (HP)	Disp. (cc)	ASHRAE 46 / Evaporating Temperature												Motor Type	Start Cap. (µF/VAC)	Run Cap. (µF/VAC)	Height "A" (mm)
			-20°C	-15°C	-10°C	-6.7°C				-5°C	0°C	5°C	7.2°C	10°C				
						Watt	BTU	Input	COP									
220-240V / 50Hz / 1 Ph.																		
BA9445N	5/8	14.14	1023	1075	1136	1188	4053	645	1.84	1214	1306	1398	1975	2259	CSR	36~43/330	10/450	202
115V / 60Hz / 1 Ph.																		
AE9422N-1	1/4	7.57	383	478	579	650	2218	415	1.59	692	826	988	1069	1184	CSIR	108~130/250	—	189
						1120	3821	515	2.17									
AE9426N-1	1/3	8.86	452	563	692	785	2678	523	1.50	842	1025	1230	1348	1486	CSR	108~130/250	20/440	196
AE9430N-1	3/8	10.26	550	680	850	980	550	550	1.78	1055	1265	1500	1700	1805	CSR	108~130/250	20/440	196
AE9440N-1	1/2	14.14	726	901	1090	1250	4265	740	1.69	1340	1620	1950	2140	2323	CSR	130~156/330	25/440	217
BA9445N-1	3/4	14.14	1302	1346	1402	1427	4869	748	1.91	2361	2453	2545	2335	2645	CSR	108~130/250	25/440	215
208-230V / 60Hz / 1 Ph.																		
AE9422N-2	1/4	7.57	367	465	573	650	2218	410	1.59	695	835	1000	1120	1225	CSIR	43~52/330	—	188
AE9426N-2	1/3	8.86	463	577	705	800	2730	490	1.63	856	1028	1235	1360	1468	CSIR	43~52/330	—	196
AE9430N-2	3/8	10.26	550	7015	870	996	3398	585	1.70	1065	1265	1500	1753	1858	CSR	43~52/330	15/450	196
AE9435N-2	3/8	12.04	600	775	965	1087	3709	630	1.73	1170	1410	1650	1900	2005	CSR	43~52/330	15/450	212
AE9440N-2	1/2	14.14	744	940	1136	1290	4401	735	1.76	1381	1654	1980	2198	2362	CSR	43~52/330	15/440	212

Cooling Capacity (Watt)																
Model	Power (HP)	Disp. (cc)	ASHRAE 32 / Evaporating Temperature										Motor Type	Start Cap. (µF/VAC)	Run Cap. (µF/VAC)	Height "A" (mm)
			-35°C	-30°C	-25°C	-23.3°C				-20°C	-15°C	-10°C				
						Watt	BTU	Input	COP							
220-240V/50Hz / 1 Ph.																
AZA1320M	1/20	3.80	29	38	50	55	188	42	1.31	66	87	114	RSCR	—	3/450	168
AZA1327M	1/16	4.00	33	44	59	65	205	46	1.41	79	103	130	RSCR	—	3/450	168
AZA1330M	1/15	5.00	36	49	63	70	239	50	1.40	85	110	138	RSCR	—	4/450	168
AZA1335M	1/15	5.60	46	60	78	85	290	67	1.27	99	125	155	RSCR	—	4/450	172
AZA1340M	1/10	6.00	54	69	87	95	307	64	1.48	109	137	167	RSCR	—	4/440	172
AE1340M	1/10	6.91	66	83	103	112	382	78	1.44	128	156	186	RSCR	—	4/440	184
AE1350M	1/8	8.10	74	94	110	132	450	90	1.47	150	196	240	RSCR	—	5/450	184
AE1360M	1/6	9.42	84	111	147	160	546	109	1.47	192	247	313	RSCR	—	4/440	184
BA1390M	1/5	6.00	145	170	216	255	392	76	1.51	282	370	476	RSCR	—	4/450	172
115V/60Hz / 1 Ph.																
AZA1320M-1	1/20	3.80	33	44	59	65	222	64	1.02	79	103	130	RSIR	—	—	159
AZA1327M-1	1/16	4.00	36	49	63	70	239	68	1.03	85	110	138	RSIR	—	—	168
AZA1330M-1	1/15	5.00	46	60	78	85	290	80	1.06	99	125	155	RSIR	—	—	168
AZA1340M-1	1/10	6.00	69	86	107	115	392	75	1.53	132	159	189	RSCR	—	8/450	172
208-230V/60Hz / 1 Ph.																
AZA1340M-2	1/15	6.00	68	85	100	115	392	76	1.51	132	154	184	RSCR	—	4/440	172
AE1360M-2	1/6	9.42	118	145	174	185	631	128	1.45	206	242	277	RSCR	—	4/450	176
100V/50-60Hz / 1 Ph.																
AE1350M-3	1/8	8.10	80	100	122	130	444	102	1.27	148	176	208	RSIR	—	—	184
			94	116	141	150	512	115	1.30	169	200	234				

Cooling Capacity (Watt)																
Model	Power (HP)	Disp. (cc)	ASHRAE 32 / Evaporating Temperature										Motor Type	Start Cap. (µF/VAC)	Run Cap. (µF/VAC)	Height "A" (mm)
			-35°C	-30°C	-25°C	-23.3°C				-20°C	-15°C	-10°C				
						Watt	BTU	Input	COP							
220-240V/50Hz / 1 Ph.																
AZA2360Z	1/6	3.28	82	112	146	160	546	139	1.15	187	239	300	CSIR	36~43/330	—	178
AZA2370Z	1/6	4.00	93	129	173	210	717	175	1.20	223	276	330	CSIR	36~43/330	—	172
AZA2410Z	1/5	5.59	148	197	255	280	955	267	1.05	330	422	530	CSIR	43~52/330	—	178
AE2410ZK	1/5	5.99	130	176	242	270	921	239	1.13	325	420	530	CSIR	36~43/330	—	189
			150	198	258	284	969	213	1.33	336	430	540	CSR	36~43/330	5/450	189
AE2413ZK	1/4	6.92	168	223	297	325	1109	284	1.14	380	473	570	CSIR	36~43/330	—	183
AE2416ZK	1/3	8.86	198	280	375	410	1399	352	1.16	485	601	720	CSIR	36~43/330	—	186
		8.86	198	280	375	410	1399	303	1.35	485	601	720	CSR	36~43/330	8/440	189
AE2420ZK	1/2	12.04	328	385	454	480	1638	356	1.35	530	627	740	CSR	36~43/330	8/440	203
AE2425ZK	5/8	14.14	335	435	562	613	2092	488	1.26	725	930	1180	CSR	36~43/330	8/450	216
AE2428ZK	2/3	16.08	389	497	639	700	2388	560	1.25	820	1056	1320	CSR	43~52/330	8/450	216
CA2432Z	3/4	18.00	343	515	704	774	2641	624	1.24	920	1168	1440	CSR	88~106/330	15/440	215
CA2435Z	1	20.00	480	658	845	925	3156	740	1.25	1100	1375	1650	CSR	88~106/330	15/440	215
CA2440Z	1	22.30	485	680	927	1020	3480	864	1.18	1240	1624	2100	CSR	108~130/330	20/440	215
WJ2430ZK	2/3	19.80	151	348	600	703	2399	550	1.28	890	1232	1650	CSR	108~130/330	20/440	264
WJ2435ZK	7/8	21.50	354	549	768	850	2900	637	1.33	1018	1300	1621	CSR	108~130/330	20/440	264
WJ2440ZK	7/8	24.20	181	492	844	967	3299	731	1.32	1242	1693	2204	CSR	145~174/330	25/425	264
WJ2450ZK	1-1/4	26.75	402	674	998	1114	3801	865	1.29	1383	1836	2366	CSR	145~174/330	25/425	264
WJ2455ZK	1-3/8	30.50	677	949	1260	1378	4702	1050	1.31	1653	2103	2600	CSR	145~174/330	25/440	264
WJ2460Z	1-1/2	34.50	899	1171	1480	1600	5459	1143	1.40	1875	2395	2980	CSR	145~174/330	30/425	264
AW2450ZK	1-1/2	37.50	700	900	1140	1244	4245	929	1.34	1450	1780	2150	CSR	108~130/330	15/440	289
AW2462ZK	1-3/4	39.60	930	1165	1430	1525	5203	1116	1.37	1760	2178	2700	CSR	108~130/330	20/370	289
AW2464ZK	1-3/4	43.10	1004	1220	1475	1580	5391	1280	1.23	1800	2244	2750	CSR	130~156/330	30/440	289
AW2495ZK	2-3/8	53.50	1055	1568	2105	2322	7923	1613	1.44	2760	3520	4300	CSR	145~174/330	25/440	324

R404A LBP

Cooling Capacity (Watt)																
Model	Power (HP)	Disp. (cc)	ASHRAE 32 / Evaporating Temperature										Motor Type	Start Cap. (µF/VAC)	Run Cap. (µF/VAC)	Height "A" (mm)
			-35°C	-30°C	-25°C	-23.3°C				-20°C	-15°C	-10°C				
						Watt	BTU	Input	COP							
115V/60Hz / 1 Ph.																
AE2410Z-1	1/4	5.99	162	206	275	300	1024	285	1.05	355	444	540	CSIR	108~130/250	—	188
AE2413Z-1	1/4	6.92	198	270	351	381	1300	375	1.02	450	560	674	CSIR	108~130/250	—	188
AE2420Z-1	1/2	12.05	312	397	495	536	1829	505	1.06	630	823	1050	CSR	108~130/330	25/450	216
AE2425Z-1	5/8	10.90	376	488	620	674	2300	586	1.15	780	960	1150	CSR	108~130/330	20/440	200
CA2432Z-1	2/3	18.00	390	564	770	845	2883	754	1.12	1008	1285	1620	CSR	88~106/330	30/440	215
CA2435Z-1	5/6	20.00	437	658	900	995	3395	865	1.15	1200	1540	1900	CSR	130~156/330	30/440	215
CA2440Z-1	1	22.30	480	750	1041	1150	3924	1000	1.15	1360	1680	2030	CSR	243~292/250	35/440	215
WJ2435Z-1	3/4	21.50	215	453	735	850	2900	747	1.14	1104	1540	2000	CSR	189~227/250	20/425	264
WJ2450Z-1	1-1/4	26.75	532	790	1130	1269	4330	1035	1.23	1550	2020	2530	CSR	243~292/250	40/440	264
WJ2455Z-1	1-1/2	30.50	895	1154	1460	1583	5401	1275	1.24	1850	2300	2820	CSR	243~292/250	40/440	264
208-230V/60Hz / 1 Ph.																
AE2416ZK-2	1/3	8.86	227	325	426	463	1580	348	1.33	537	661	803	CSR	36-43/330	5/450	201
AE2420ZK-2	1/2	12.04	184	349	517	575	1962	475	1.21	687	861	1039	CSR	36-43/330	10/450	216
AE2425ZK-2	1/2	14.14	365	477	615	670	2286	546	1.23	798	1023	1300	CSR	36~43/330	12/440	216
AE2428ZK-2	2/3	16.08	400	555	730	800	2730	656	1.22	947	1200	1500	CSR	36~43/330	12/440	216
CA2432Z-2	3/4	18.00	410	580	785	860	2934	747	1.15	1025	1310	1640	CSR	43~52/330	20/440	215
CA2435Z-2	5/6	20.00	437	658	900	995	3395	917	1.09	1200	1540	1900	CSR	88~106/330	20/440	215
CA2440Z-2	1	22.30	470	716	1000	1115	3804	973	1.15	1340	1700	2100	CSR	43~52/330	15/440	215
WJ2440Z-2	1	24.20	490	735	1027	1145	3907	970	1.18	1400	1819	2300	CSR	108~130/330	20/425	264
WJ2450Z-2	1-1/4	26.75	550	830	1170	1290	4401	1080	1.19	1560	2050	2600	CSR	108~130/330	25/450	264
WJ2455Z-2	1-1/2	30.50	900	1160	1470	1590	5425	1275	1.25	1860	2320	2840	CSR	145~174/330	30/450	264
AW2450ZK-2	1-1/2	37.50	465	890	1393	1575	5374	1260	1.25	1976	2647	3410	CSR	161~193/330	20/440	289
AW2462ZK-2	1-3/4	39.60	550	1000	1515	1700	5800	1330	1.28	2100	2780	3550	CSR	161~193/330	20/450	289
AW2464ZK-2	1-3/4	43.10	1113	1458	1813	1938	6612	1475	1.31	2176	2542	2908	CSR	161~193/330	20/425	289
AW2495ZK-2	2-3/8	53.50	893	1523	2202	2450	8359	1800	1.36	2932	3716	4555	CSR	161~193/330	25/450	324
AW2510ZK-2	2-3/4	71.00	900	1680	2600	2946	10052	2806	1.05	3630	4750	6000	CSR	216~259/250	45/440	324
KA2512Z-2	3	93.00	1460	2280	3240	3625	12369	3120	1.16	4410	5720	7260	CSR	243~292/250	35/440	399
100V/50-60Hz / 1 Ph.																
AE2410ZK-3	1/4	5.99	153	195	257	284	969	280	1.01	345	445	558	CSIR	108~130/250	—	189
			158	222	301	333	1136	295	1.13	398	506	622				
AE2413ZK-3	1/3	6.92	168	223	297	325	1109	358	0.91	380	473	570	CSIR	108~130/250	—	189
			202	273	353	385	1314	360	1.07	452	562	678				
CA2435Z-3	5/6	20.00	413	590	794	868	2962	800	1.08	1032	1312	1641	CSR	216-253/250	40/450	213
			474	699	947	1035	3531	844	1.23	1223	1530	1872				
220-240V/50Hz, 208-230V/60Hz / 1 Ph.																
AW2495ZK-6	2-3/8	53.50	870	1440	2080	2322	7923	1613	1.44	2805	3588	4500	CSR	161~193/330	25/440	324
			893	1523	2202	2450	8359	1800	1.36	2932	3716	4555				
380-420V/50Hz, 460V/60Hz / 3 Ph.																
AW2450Z-9	1-1/4	37.50	700	960	1220	1320	4504	925	1.43	1520	1850	2200	3 Ph.	—	—	324
			800	1040	1330	1430	4879	1025	1.40	1625	1945	2280				
AW2464Z-9	1-3/4	43.10	704	1006	1450	1671	5701	1130	1.48	2199	3114	4200	3 Ph.	—	—	324
			759	1150	1680	1905	6500	1310	1.45	2360	3220	4300				
AW2495Z-9	2-3/8	53.50	1055	1568	2160	2393	8165	1560	1.53	2875	3661	4600	3 Ph.	—	—	324
			1200	1730	2320	2544	8680	1725	1.47	3000	3800	4700				
AW2510Z-9	2-1/2	59.00	1192	1772	2429	2697	9202	1693	1.59	3250	4174	5200	3 Ph.	—	—	324
			1230	1895	2620	2899	9891	1867	1.55	3430	4350	5400				
AW2512ZXG	3	71.00	1445	2130	2950	3282	11198	2550	1.29	4100	5492	7000	3 Ph.	—	—	324
			1545	2340	3330	3722	12699	2970	1.25	4508	5829	7300				
KA2514ZXG	3-1/2	90.00	—	—	—	3740	12761	2370	1.58	—	—	—	3 Ph.	—	—	399
KA2517ZXG	4	100.00	—	—	—	4505	15371	2856	1.58	—	—	—	3 Ph.	—	—	399
380V/60Hz / 3 Ph.																
AW2450ZXI	1-1/2	37.50	720	970	1250	1348	4599	1000	1.35	1550	1890	2270	3 Ph.	—	—	324
AW2464ZXI	1-3/4	43.10	704	1006	1450	1680	5732	1250	1.34	2199	3114	4200	3 Ph.	—	—	324

Cooling Capacity (Watt)																
Model	Power (HP)	Disp. (cc)	ASHRAE 32 / Evaporating Temperature										Motor Type	Start Cap. (µF/VAC)	Run Cap. (µF/VAC)	Height "A" (mm)
			-35°C	-30°C	-25°C	-23.3°C				-20°C	-15°C	-10°C				
						Watt	BTU	Input	COP							
380V/60Hz / 3 Ph.																
AW2495ZXI	1-3/4	53.50	930	1550	2240	2480	8462	1740	1.43	2970	3740	4600	3 Ph.	—	—	324
AW2510ZXI	2	59.00	1205	1897	2640	2919	9960	2000	1.46	3562	4606	5700	3 Ph.	—	—	324
200-220V/50Hz, 200-230V/60Hz / 3 Ph.																
AW2510ZXT	2-1/2	71.00	1097	1630	2230	2477	8452	2252	1.10	3000	3882	4850	3 Ph.	—	—	324
			1170	1842	2560	2843	9700	2585	1.10	3492	4514	5600				
KA2512ZXT	3	93.00	1300	1980	2900	3215	10970	2690	1.20	4000	5350	7100	3 Ph.	—	—	399
			1500	2300	3280	3643	12430	3050	1.19	4430	5750	7300				

R404A MBP

Cooling Capacity (Watt)																	
Model	Power (HP)	Disp. (cc)	ASHRAE 46 / Evaporating Temperature											Motor Type	Start Cap. (µF/VAC)	Run Cap. (µF/VAC)	Height "A" (mm)
			-20°C	-15°C	-10°C	-6.7°C				-5°C	0°C	5°C	+10°C				
						Watt	BTU	Input	COP								
380-420V/50Hz, 460V/60Hz / 3 Ph.																	
AW7512Z-9	1-1/2	37.50	1400	1900	2430	2872	9799	1525	1.88	3102	3900	4820	5863	3 Ph.	—	—	324
			1700	2260	2940	3447	11761	1810	1.90	3760	4630	5600	6600				
AW7514Z-9	1-7/8	43.10	1900	2380	3000	3502	11949	1850	1.89	3783	4800	5900	7150	3 Ph.	—	—	324
			2100	2850	3640	4250	14501	2228	1.91	4596	5730	7100	8795				
AW7516Z-9	2	53.50	1950	2670	3460	4038	13778	2353	1.72	4360	5400	6600	8000	3 Ph.	—	—	324
			2300	3110	4050	4736	16159	2778	1.70	5150	6450	7970	9620				
KA9522ZXG	2-3/4	65.00	2500	3550	4650	5598	19100	2625	2.13	6200	7900	9700	11596	3 Ph.	—	—	399
			3000	4150	5550	6536	22301	3035	2.15	7250	9200	11300	13475				
KA9524ZXG	3	70.00	3100	4100	5200	6096	20800	2800	2.18	6660	8400	10400	12543	3 Ph.	—	—	399
			3500	4500	5800	6858	23399	3200	2.14	7500	9600	11900	14417				
KA9528ZXG	3-1/2	80.00	3600	4750	6000	7034	24000	3230	2.18	7610	9650	12000	15000	3 Ph.	—	—	399
			3900	5300	6870	8060	27501	3690	2.18	8840	11200	13800	16722				
KA9531ZXG	4	90.00	4100	5550	7130	8382	28599	3675	2.28	9200	11456	14000	16760	3 Ph.	—	—	399
			4500	5800	7720	9086	31001	4090	2.22	9940	12689	15900	19435				
KA9535ZXG	4-3/8	100.00	5000	6430	8060	9378	32000	4160	2.25	10180	12900	16000	19600	3 Ph.	—	—	399
			6000	7300	8900	10258	35000	4710	2.18	11000	13949	17200	21366				
KA9540ZXG	5	115.00	6200	7690	9450	10786	36800	4880	2.21	11630	14100	17000	20582	3 Ph.	—	—	399
			7200	8800	10400	11870	40500	5600	2.12	12700	15700	19400	23828				
200-220V/50Hz, 200-230V/60Hz / 3 Ph.																	
WJ9485ZXT	1-1/8	24.20	1100	1450	1830	2093	7141	1290	1.62	2250	2760	3350	4027	3 Ph.	—	—	264
			1300	1630	2100	2462	8400	1450	1.70	2670	3280	4000	4731				
WJ9490ZXT	1-1/8	26.70	1350	1700	2120	2461	8397	1410	1.75	2680	3300	4080	4900	3 Ph.	—	—	264
			1500	1930	2480	2880	9827	1610	1.79	3100	3800	4600	5426				
WJ9510ZXT	1-1/4	30.50	1450	1915	2400	2810	9588	1660	1.69	3010	3650	4400	5305	3 Ph.	—	—	264
			1700	2260	2850	3282	11198	1900	1.73	3529	4300	5200	6291				
AW7512ZXT	1-1/2	37.50	1300	1780	2260	2639	9004	1580	1.67	2860	3530	4330	5257	3 Ph.	—	—	324
			1600	2100	2693	3122	10652	1880	1.66	3370	4170	5100	6217				
AW7514ZXT	1-2/3	43.10	1650	2110	2692	3121	10649	1850	1.69	3390	4300	5300	6400	3 Ph.	—	—	324
			1800	2450	3163	3668	12515	2200	1.67	3980	4900	6000	7304				
AW7516ZXT	2	53.50	1900	2696	3500	4038	13778	2156	1.68	4360	5400	6650	8084	3 Ph.	—	—	324
			2300	3150	4105	4736	16159	2928	1.62	5120	6300	7800	9481				
AW7524ZXT	3	71.00	2700	3600	4500	5276	18002	2931	1.80	5700	7000	8700	10562	3 Ph.	—	—	324
			3100	4188	5436	6272	21400	3564	1.76	6850	8500	10400	12556				
KA9524ZXT	3	70.00	2700	3800	4950	5427	18517	2780	1.95	6300	7770	9350	11000	3 Ph.	—	—	399
			2900	4000	5200	5686	19401	2860	1.99	6600	8200	10100	12543				
KA9531ZXT	3-7/8	90.00	4000	5400	6900	7963	27170	3620	2.20	8600	10700	13200	15922	3 Ph.	—	—	399
			5000	6031	7352	8461	28870	3800	2.23	9360	12150	15000	18096				
KA9535ZXT	4-3/8	100.00	5900	7050	8415	9500	32414	4210	2.26	10250	12666	15500	18530	3 Ph.	—	—	399
			6200	7200	8800	10131	34567	4530	2.24	10995	14000	17200	21101				

R404A MBP/ CBP

Cooling Capacity (Watt)																		
Model	Power (HP)	Disp. (cc)	ASHRAE 46 / Evaporating Temperature											Motor Type	Start Cap. (µF/VAC)	Run Cap. (µF/VAC)	Height "A" (mm)	
			-20°C	-15°C	-10°C	-6.7°C				-5°C	0°C	5°C	7.2°C					10°C
			Watt	BTU	Input	COP	Watt	BTU	Input	COP	Watt	BTU	Input					COP
220-240V/50Hz / 1 Ph.																		
AE9420Z	1/5	6.92	260	354	455	527	1798	372	1.42	563	670	790	900	1005	CSR	36~43/330	8/450	196
AE9426Z	1/4	7.57	305	428	550	630	2150	450	1.40	674	804	940	1070	1175	CSIR	36~43/330	—	204
BA7430Z	3/8	8.86	380	515	656	756	2579	495	1.53	808	960	1120	1212	1317	CSR	43~52/330	8/450	205
BA7440Z	1/2	12.04	495	650	830	967	3299	616	1.57	1030	1240	1480	1572	1677	CSR	36~43/330	15/450	215
BA9440Z	1/2	12.04	420	615	820	967	3299	616	1.57	1040	1260	1500	1750	1855	CSR	36~43/330	15/440	215
BA7443Z	1/2	14.14	630	815	1005	1143	3900	770	1.48	1220	1460	1720	1812	1917	CSR	36~43/330	20/440	215
BA7452Z	2/3	16.08	750	955	1170	1319	4500	895	1.47	1406	1630	1900	1992	2097	CSR	43~52/330	15/440	215
BA7459Z	3/4	18.00	780	1009	1265	1450	4947	1030	1.41	1530	1820	2100	2192	2297	CSR	43~52/330	20/450	215
CA7459Z	3/4	18.00	785	1035	1288	1451	4951	966	1.50	1541	1792	2040	2147	2283	CSR	43~52/330	15/450	213
CA7475Z	1	22.30	870	1216	1590	1846	6299	1374	1.34	1990	2410	2850	2942	3047	CSR	108~130/330	50/450	215
WJ9470Z	7/8	21.50	850	1180	1550	1810	6176	1050	1.72	1950	2400	2900	3290	3395	CSR	88~106/330	20/440	264
WJ9485Z	1-1/8	24.20	1200	1530	1900	2180	7438	1260	1.73	2350	2850	3450	3790	3895	CSR	88~106/330	25/450	264
WJ9490Z	1-1/8	26.70	1250	1600	2040	2345	8001	1400	1.68	2510	3050	3650	3986	4091	CSR	108~130/330	20/440	264
WJ9510Z	1-1/4	30.50	1400	1886	2375	2697	9202	1690	1.60	2900	3500	4200	4689	4794	CSR	108~130/330	25/450	264
WJ9513Z	1-5/8	34.50	1550	2150	2670	3157	10772	1955	1.61	3411	4090	4880	5334	5439	CSR	108~130/330	30/425	264
AW9516Z	2	53.50	2050	2935	3810	4396	14999	2585	1.70	4730	5690	6700	7825	8030	CSR	161~193/330	40/440	324
AW7512Z	1-1/4	37.50	1300	1910	2492	2902	9902	1687	1.72	1310	3850	4650	4742	4847	CSR	130~156/330	30/450	289
AW7514Z	1-7/8	43.10	1900	2520	3160	3664	12502	2034	1.80	3950	4850	5930	6022	6127	CSR	130~156/330	40/440	289
AW7525Z	3	71.00	3121	4340	5617	6500	22178	3900	1.67	6961	8378	9877	10564	11465	CSR	161~193/330	50/440	324
208-230V/60Hz / 1 Ph.																		
BA7440Z-2	1/2	12.04	550	765	986	1128	3849	732	1.54	1217	1460	1715	1807	1920	CSR	36~43/330	12/440	215
BA7443Z-2	1/2	14.14	575	810	1070	1257	4289	880	1.43	1365	1670	2020	2112	2331	CSR	88~106/330	15/450	215
BA7452Z-2	5/8	16.08	720	1010	1307	1515	5169	1140	1.33	1620	1970	2360	2452	2567	CSR	88~106/330	15/440	215
BA7459Z-2	3/4	18.00	900	1200	1524	1744	5951	1295	1.35	1880	2245	2660	2752	2857	CSR	88~106/330	20/440	215
CA9465Z-2	3/4	20.00	920	1260	1630	1895	6466	1466	1.29	2025	2450	2890	2982	3187	CSR	43~52/330	20/450	215
WJ9470Z-2	7/8	21.55	1150	1516	1900	2148	7329	1250	1.72	2322	2800	3320	3412	3617	CSR	88~106/330	25/450	264
WJ9485Z-2	1-1/8	24.20	863	1298	1760	2085	7114	1450	1.44	2268	2843	3502	--	--	CSR	88~106/330	25/450	264
			1155	1520	2000	2336	7970	1457	1.60	2516	3084	3720	4024	4436				
WJ9490Z-2	1-1/8	26.70	1419	1852	2350	2696	9199	1635	1.65	2922	3578	4326	--	--	CSR	108~130/330	35/440	264
			1562	11754	2314	2693	9189	1651	1.63	2893	3505	4165	4475	4888				
WJ9513Z-2	1-1/2	34.50	1780	2544	3202	3650	12454	2272	1.61	3893	4640	5462	--	--	CSR	108~130/330	35/440	284
			2135	2883	3570	4039	13781	2214	1.82	4287	5049	5868	6251	6760				
AW7516Z-2	2	53.50	1600	2763	3900	4678	15961	2520	1.86	5075	6242	7400	7592	7692	CSR	161~193/330	40/425	324
AW7524Z-2	3	71.00	3000	4150	5400	6360	21700	3855	1.65	6900	8600	10700	10892	11997	CSR	243~292/250	45/440	324
KM7512Z-2	1-1/2	37.50	1469	2242	3036	3575	12198	2136	1.67	3832	4613	5360	5673	6054	CSR	161~193/330	25/450	289
KM7514Z-2	1-1/2	43.10	1477	2281	3110	3664	12502	2165	1.69	3973	4881	5842	6284	6865	CSR	161~193/330	45/450	324
KM7524Z-2	3	71.00	3396	4774	6277	7327	25000	3960	1.85	7947	9827	11962	12994	14395	CSR	243~292/250	45/450	324
AW9516Z-2	2	53.50	1600	2763	3900	4678	15961	2520	1.86	5075	6242	7400	7592	7692	CSR	161~193/330	40/425	324
115V/60Hz / 1 Ph.																		
AE9426Z-1	1/4	7.57	375	495	639	740	2525	546	1.36	804	985	1180	1269	1385	CSR	108~130/330	20/440	188
BA7440Z-1	1/2	12.04	579	767	969	1108	3780	829	1.34	1183	1409	1644	1750	1887	CSR	145~174/330	25/440	215

R404A HBP

Cooling Capacity (Watt)																		
Model	Power (HP)	Disp. (cc)	ASHRAE 46 / Evaporating Temperature											Motor Type	Start Cap. (µF/VAC)	Run Cap. (µF/VAC)	Height "A" (mm)	
			-10°C	-5°C	0°C	5°C	7.2°C				+10°C							
			Watt	BTU	Input	COP	Watt	BTU	Input	COP	Watt							
220-240V/50Hz / 1 Ph.																		
AE4430Z	1/4	5.68	390	489	603	740	809	2760	400	2.02	907	CSIR	36~43/330	—	183			
AE4435Z	1/3	6.92	482	582	695	830	900	3071	492	1.83	1000	CSIR	36~43/330	—	196			
AE4440Z	1/3	7.57	550	670	806	960	1026	3501	590	1.74	1120	CSIR	36~43/330	—	204			
AW4524Z	2	39.60	—	—	—	—	6249	21322	2624	2.38	—	CSR	130~156/330	40/450	288			
AW4534Z	3	53.50	—	—	—	—	7852	26791	3250	2.42	—	CSR	161~193/330	40/450	324			
208-230V/60Hz / 1 Ph.																		
AE4430Z-2	1/4	5.68	487	598	727	882	960	3276	475	2.02	1071	CSIR	36~43/330	—	189			

Cooling Capacity (Watt)															
Model	Power (HP)	Disp. (cc)	ASHRAE 46 / Evaporating Temperature									Motor Type	Start Cap. (µF/VAC)	Run Cap. (µF/VAC)	Height "A" (mm)
			-10°C	-5°C	0°C	5°C	7.2°C				+10°C				
							Watt	BTU	Input	COP					
380-420V/50Hz, 460V/60Hz / 3 Ph.															
AW4524ZXG	2	43.10	2897	3780	4788	5920	6460	22042	2140	3.02	7185	3 Ph.	---	---	324
			3391	4453	5680	7000	7651	26105	2511	3.05	8511				
AW5524Z-9	2	39.60	2616	3405	4323	5350	5833	19902	1927	3.03	6487	3 Ph.	---	---	324
			3103	4076	5199	6390	7002	23891	2304	3.04	7791				
AW5526Z-9	2-1/6	43.10	2897	3771	4788	5925	6460	22042	2140	3.02	7185	3 Ph.	---	---	324
			3391	4453	5680	7000	7650	26102	2510	3.05	8511				
AW5534Z-9	3	53.50	3787	4827	5940	7180	7870	26852	2750	2.86	8900	3 Ph.	---	---	324
			4425	5640	6972	8550	9350	31902	3250	2.88	10500				
AW5538Z-9	3-1/6	59.00	4412	5623	6850	8350	9168	31281	3235	2.83	10392	3 Ph.	---	---	324
			5194	6607	8184	10000	10976	37450	3840	2.86	12306				
AW5540Z-9	3-1/3	63.00	4677	5900	7350	8900	9720	33165	3470	2.80	11000	3 Ph.	---	---	324
			5459	6943	8601	10550	11535	39357	4225	2.73	12932				
AW5545Z-9	3-2/3	71.00	5420	6909	8479	10200	11265	38436	4085	2.76	12768	3 Ph.	---	---	324
			6283	7991	9899	12100	13275	45294	4890	2.71	14884				
KA5542ZXG	3-1/2	65.00	5183	6550	8050	9600	10405	35502	3250	3.20	11596	3 Ph.	---	---	399
			5954	7576	9345	11200	12163	41500	3810	3.19	13475				
KA5544ZXG	3-2/3	70.00	5823	7157	8650	10360	11255	38402	3460	3.25	12543	3 Ph.	---	---	399
			6370	8105	9998	12050	13013	44400	4050	3.21	14417				
KA5552ZXG	4-1/3	80.00	6672	8261	9966	11950	12896	44001	4030	3.20	14372	3 Ph.	---	---	399
			7388	9401	11597	13900	15094	51501	4755	3.17	16722				
KA5558ZXG	4-5/6	90.00	6593	8790	11200	13800	15035	51299	4555	3.30	16760	3 Ph.	---	---	399
			7730	9990	12500	15500	17116	58400	5300	3.23	19435				
KA5564ZXG	5-1/3	100.00	8230	10192	12506	15150	16413	56001	5170	3.17	18296	3 Ph.	---	---	399
			8498	10983	13949	17100	18816	64200	6100	3.08	21366				
KA5572ZXG	6	115.00	9258	11465	14100	17000	18464	62999	6040	3.06	20582	3 Ph.	---	---	399
			9477	12249	15500	19300	20985	71601	7120	2.95	23828				
LA5590ZXG	7-1/2	174.00	7620	10900	14700	19300	21634	73815	7230	2.99	25000	3 Ph.	---	---	438
			9122	12847	17600	23100	25961	88579	8850	2.93	30200				
LA5610ZXG	8-1/3	197.00	11085	14700	18600	23200	25498	86999	8790	2.90	28739	3 Ph.	---	---	454
			13372	17700	22639	28200	30774	105001	10600	2.90	34500				
LA5612ZXG	10	211.00	12375	16188	20600	25700	28429	97000	9800	2.90	31965	3 Ph.	---	---	454
			14868	19700	25000	31600	35170	120000	12120	2.90	39900				
200-220V/50Hz, 200-230V/60Hz / 3 Ph.															
KA5542ZXT	5-1/4	70.00	5548	6950	8480	10200	11137	37999	3420	3.26	12412	3 Ph.	---	---	399
			6083	7750	9520	11500	12427	42401	3760	3.31	13767				
KA5555ZXT	7	90.00	6290	8300	10600	13200	14344	48942	4560	3.15	15991	3 Ph.	---	---	399
			7243	9361	11800	14600	16038	54722	5150	3.11	18211				
KA5562ZXT	8	100.00	8339	10346	12717	15300	16690	56950	5230	3.19	18605	3 Ph.	---	---	399
			8469	10778	13500	16750	18464	62999	5885	3.14	20966				

R134a LBP

Cooling Capacity (Watt)																					
Model	Power (HP)	Disp. (cc)	ASHRAE 32 / Evaporating Temperature									Motor Type	Start Cap. (µF/VAC)	Run Cap. (µF/VAC)	Height "A" (mm)						
			-35°C			-30°C			-25°C							-23.3°C			-20°C	-15°C	-10°C
			Watt	BTU	Input	COP.	Watt	BTU	Input	COP.	Watt					BTU	Input	COP.			
220-240V/50Hz / 1 Ph.																					
AZA1320Y	1/20	2.73	19	34	51	58	198	57	1.02	71	93	119	RSIR	—	—	162					
			19	34	51	58	198	52	1.12	71	93	119	RSCR	—	4/450	159					
AZA1327Y	1/15	3.28	26	49	72	81	276	83	0.98	98	128	166	RSIR	—	—	168					
			26	49	72	80	273	65	1.23	98	128	166	RSCR	—	4/440	159					
AZA1330Y	1/10	3.59	27	53	80	85	290	79	1.08	111	144	187	RSIR	—	—	159					
			27	53	80	85	290	79	1.08	111	144	187	RSCR	—	4/440	168					
AZA1335Y	1/10	3.80	32	57	86	96	328	82	1.17	118	154	195	RSIR	—	—	168					
			32	57	86	96	328	75	1.28	118	154	195	RSCR	—	4/440	168					
AZA1340Y	1/10	4.00	35	65	98	105	358	92	1.14	135	176	229	RSIR	—	—	168					
			35	65	98	110	375	80	1.38	135	176	229	RSCR	—	4/440	168					
AZA2340Y	1/10	4.00	35	65	98	110	375	92	1.20	135	176	229	CSIR	36~43/330	—	168					
AZA1350Y	1/8	5.00	38	77	119	134	457	103	1.30	166	220	281	RSIR	—	—	168					
			38	77	119	134	457	103	1.30	166	220	281	RSCR	—	4/440	180					
AZA2350Y	1/8	5.00	38	77	119	135	461	108	1.25	166	220	281	RSIR	36~43/330	—	180					
AZA1360Y	1/8	5.59	25	75	130	145	495	128	1.13	187	247	312	RSIR	—	—	178					
			25	75	130	145	495	105	1.38	187	247	312	RSCR	—	4/440	180					
AZA2360Y	1/8	5.59	25	75	130	145	495	128	1.13	187	247	312	CSIR	36~43/330	—	178					
AZA1370Y	1/6	6.00	39	94	151	165	563	137	1.20	217	285	364	RSIR	—	—	178					
			39	94	151	165	563	137	1.20	217	285	364	RSCR	—	4/440	180					
AZA2370Y	1/6	6.00	39	94	151	165	563	137	1.20	217	285	364	RSIR	36~43/330	—	178					
AE1360Y	1/8	6.92	49	94	141	160	546	140	1.14	193	253	323	RSIR	—	—	172					
AE2360Y	1/8	6.92	56	95	141	158	539	136	1.16	194	256	328	CSIR	36~43/330	—	181					
AE1370Y	1/6	6.92	65	119	177	200	682	145	1.38	240	305	370	RSIR	—	—	184					
			65	119	177	200	682	134	1.49	240	305	370	RSCR	—	4/440	184					
AE2370Y	1/6	8.10	65	119	177	185	631	163	1.13	240	305	370	CSIR	36~43/330	—	183					
AE1390Y	1/5	9.42	115	163	214	252	860	192	1.31	290	388	485	RSIR	—	—	189					
			115	163	214	240	819	160	1.50	290	388	485	RSCR	—	4/440	184					
AE2390Y	1/5	9.42	115	163	214	237	809	205	1.16	290	338	485	CSIR	36~43/330	—	202					
AE2410Y	1/4	14.14	129	183	249	270	921	255	1.06	347	450	566	CSIR	36~43/330	—	216					
			129	183	249	270	921	210	1.29	347	450	566	CSR	36~43/330	8/450	184					
AEA2410Y	1/4	12.04	130	181	244	270	921	226	1.19	323	416	520	CSIR	36~43/330	—	216					
AE2413Y	1/3	16.08	61	169	288	330	1126	294	1.12	418	560	717	CSR	36~43/330	8/450	216					
AE2415Y	1/3	12.50	175	246	329	360	1228	277	1.30	427	545	687	CSR	36~43/330	8/450	184					
AE2416Y	3/8	12.50	194	264	348	380	1297	280	1.36	447	564	670	CSR	36~43/330	8/450	184					
AEA2415Y	1/3	16.15	160	241	334	370	1262	280	1.32	437	545	658	CSR	36~43/330	8/450	212					
AE2417Y-SR	3/8	18.00	166	240	352	400	1365	325	1.23	504	696	930	CSR	36~43/330	10/440	216					
115V/60Hz / 1 Ph.																					
AZA1320Y-1	1/15	2.73	23	45	69	77	263	77	1.00	94	124	160	RSIR	—	—	162					
AZA1327Y-1	1/15	3.28	40	58	84	92	314	84	1.10	115	152	198	RSIR	—	—	168					
AZA1330Y-1	1/10	3.59	41	67	99	110	375	97	1.13	135	176	223	RSIR	—	—	168					
AZA1335Y-1	1/10	3.80	40	68	102	112	382	106	1.06	141	186	239	RSIR	—	—	168					
AZ1340Y-1	1/10	5.00	4	52	80	111	450	123	1.07	152	200	260	RSIR	—	—	172					
AZA1350Y-1	1/8	5.00	45	85	132	148	505	140	1.06	187	246	312	RSIR	—	—	172					
AZA1360Y-1	1/8	5.59	49	102	162	180	614	156	1.15	230	303	385	RSIR	—	—	178					
AZA1370Y-1	1/6	6.00	57	110	172	195	665	170	1.15	241	320	410	RSIR	—	—	178					
AE2413Y-1	1/3	10.90	163	235	320	352	1201	304	1.16	417	527	647	CSIR	108~130/330	—	184					
208-230V/60Hz / 1 Ph.																					
AZA1320Y-2	1/15	2.95	30	48	69	77	263	77	1.00	94	123	157	RSIR	—	—	162					
AZA1327Y-2	1/15	3.28	40	58	84	92	314	86	1.07	115	152	198	RSIR	—	—	168					
AZA1330Y-2	1/10	3.59	41	67	99	110	375	95	1.16	135	176	223	RSIR	—	—	168					
AZA1335Y-2	1/10	3.80	52	74	102	115	392	104	1.11	141	185	239	RSIR	—	—	168					
AZA1340Y-2	1/10	4.00	46	79	114	128	437	112	1.14	157	205	266	RSIR	—	—	168					
AZA1350Y-2	1/8	5.00	45	85	132	150	512	132	1.14	187	246	312	RSIR	—	—	172					

Cooling Capacity (Watt)																
Model	Power (HP)	Disp. (cc)	ASHRAE 32 / Evaporating Temperature										Motor Type	Start Cap. (µF/VAC)	Run Cap. (µF/VAC)	Height "A" (mm)
			-35°C	-30°C	-25°C	-23.3°C				-20°C	-15°C	-10°C				
						Watt	BTU	Input	COP							
208-230V/60Hz / 1 Ph.																
AE1350Y-2	1/8	5.99	54	95	142	158	539	143	1.01	195	254	319	RSIR	—	—	181
AZA1360Y-2	1/8	5.59	49	100	159	183	624	148	1.24	229	301	381	RSIR	—	—	168
AE1370Y-2	1/6	8.10	65	124	187	210	717	184	1.14	258	335	424	RSIR	—	—	189
AE1390Y-2	1/4	9.42	129	183	249	280	955	235	1.19	347	450	566	RSIR	—	—	202
AE2390Y-2	1/4	9.42	129	183	249	280	955	236	1.19	347	450	566	CSIR	36~43/330	—	202
AE2410Y-2	1/4	14.14	117	195	282	312	1065	307	1.02	385	500	630	CSIR	36~43/330	—	216
AE2411Y-2	1/4	14.14	89	188	291	327	1116	269	1.22	403	528	671	CSR	36~43/330	8/450	216
AE2413Y-2	1/3	16.08	160	241	334	372	1269	349	1.07	452	596	751	CSR	36~43/330	8/450	216
100V/50-60Hz / 1 Ph.																
AE2360Y-3	1/6	6.92	68	109	156	175	597	155	1.13	213	278	356	CSR	36~43/250	15/440	189
			62	120	186	210	717	183	1.15	258	335	418	CSR	36~43/250	15/440	189
AE2370Y-3	1/5	8.10	97	135	187	208	710	180	1.16	255	337	433	CSR	36~43/250	15/440	189
			76	147	220	250	853	216	1.16	300	382	470	CSR	36~43/250	15/440	189
AE2390Y-3	1/4	9.42	82	144	212	240	819	196	1.22	292	384	485	CSR	108~130/250	15/440	189
			121	183	257	280	955	230	1.22	353	466	583	CSR	108~130/250	15/440	189
AE2415Y-3	1/3	12.50	175	246	329	357	1218	345	1.03	427	545	687	CSR	145~174/330	35/440	196
			180	250	372	410	1399	390	1.05	504	696	930	CSR	145~174/330	35/440	196
220-240V/50Hz, 208-230V/60Hz / 1 Ph.																
AZA1330Y-6	1/10	3.59	27	53	80	90	307	97	0.93	111	144	187	RSIR	—	—	168
			40	66	98	110	375	105	1.05	137	180	229	RSIR	—	—	168
AZA1335Y-6	1/10	3.80	32	57	86	96	328	100	0.96	118	154	195	RSIR	—	—	168
			52	74	102	115	392	108	1.06	141	185	239	RSIR	—	—	168
AZA1350Y-6	1/8	5.00	38	77	119	134	457	109	1.23	166	220	281	RSIR	—	—	178
			45	85	132	150	512	125	1.20	187	246	312	RSIR	—	—	178
AZA1360Y-6	1/8	5.59	35	78	126	145	495	121	1.20	180	238	302	RSIR	—	—	178
			49	97	150	170	580	135	1.26	211	278	354	RSIR	—	—	178
AZA1370Y-6	1/6	6.00	40	90	145	165	563	155	1.06	207	275	345	RSIR	—	—	178
			57	110	172	195	665	160	1.22	241	320	410	RSIR	—	—	178
AZA1370Y-6	1/6	6.00	40	97	145	165	563	150	1.10	207	275	345	RSCR	—	4/440	178
			57	110	172	195	665	153	1.27	241	320	410	RSCR	—	4/440	178
AE1390Y-6	1/4	9.42	83	154	230	255	870	203	1.26	309	395	485	RSIR	—	—	202
			117	189	270	297	1013	236	1.26	362	463	572	RSIR	—	—	202

R134a MBP / CBP

Cooling Capacity (Watt)																		
Model	Power (HP)	Disp. (cc)	ASHRAE 46 / Evaporating Temperature											Motor Type	Start Cap. (µF/VAC)	Run Cap. (µF/VAC)	Height "A" (mm)	
			-20°C	-15°C	-10°C	-6.7°C				-5°C	0°C	5°C	7.2°C					10°C
						Watt	BTU	Input	COP									
220-240V/50Hz / 1 Ph.																		
AZA0349Y	1/15	2.73	50	86	124	150	512	110	1.36	165	207	251	343	448	RSIR	—	—	162
AZA9349Y	1/15	2.73	50	86	124	150	512	110	1.36	165	207	251	343	448	CSIR	36~43/330	—	162
AZA0387Y	1/10	3.80	85	130	180	215	734	143	1.50	236	293	356	448	553	RSIR	—	—	168
AZA9387Y	1/10	3.80	85	130	180	215	734	143	1.50	236	293	356	448	553	CSIR	36~43/330	—	168
AZA0411Y	1/8	5.00	143	192	245	285	972	178	1.60	308	380	458	550	655	RSIR	—	—	178
AZA9411Y	1/8	5.00	143	192	245	285	972	178	1.60	308	380	458	550	655	CSIR	36~43/330	—	178
AZA0413YK	1/6	6.00	105	191	280	336	1146	213	1.58	375	470	570	662	767	RSIR	—	—	178
AZA9413Y	1/6	6.00	105	191	280	340	1160	213	1.60	375	470	570	662	767	RSIR	—	—	178
AE6412Y	1/6	5.99	152	205	270	315	1075	193	1.63	345	436	540	632	737	RSIR	—	—	189
AE7415Y	1/6	7.57	195	253	320	370	1262	250	1.48	400	504	648	740	845	CSIR	36~43/330	—	188
AE9417Y	1/5	8.10	243	326	410	470	1604	261	1.80	502	588	680	820	925	CSR	36~43/330	8/450	184
AE9419Y	1/5	9.42	243	325	415	480	1368	330	1.45	512	610	707	902	1007	CSIR	36~43/330	—	189
AE7423Y	1/4	12.04	255	365	486	574	1958	360	1.59	620	768	930	1022	1127	CSIR	36~43/330	—	203

R134a MBP / CBP

Cooling Capacity (Watt)

Model	Power (HP)	Disp. (cc)	ASHRAE 46 / Evaporating Temperature											Motor Type	Start Cap. (µF/VAC)	Run Cap. (µF/VAC)	Height "A" (mm)	
			-20°C	-15°C	-10°C	-6.7°C				-5°C	0°C	5°C	7.2°C					10°C
						Watt	BTU	Input	COP									

220-240V/50Hz / 1 Ph.

AE7426Y	1/4	14.14	295	415	550	640	2184	425	1.51	690	854	1037	1129	1234	CSIR	36~43/330	—	216
AE7430Y	3/8	16.08	380	498	633	745	2542	455	1.64	805	1015	1265	1357	1462	CSR	36~43/330	8/450	216
AE9437Y	1/2	18.00	520	632	784	920	3139	532	1.73	987	1240	1570	1662	1767	CSR	36~43/330	10/440	216
BA9426Y	1/3	12.03	295	415	550	650	2218	351	1.85	710	880	1070	1170	1270	CSR	36~43/330	8/450	202
BA9430Y	3/8	14.14	400	521	661	760	2593	410	1.85	816	991	1195	1361	1466	CSR	36~43/330	12/440	215
CA9437Y	3/8	18.00	520	632	784	920	3139	510	1.80	987	1240	1570	1680	1785	CSR	36~43/330	10/440	215
CA9440Y	1/2	20.00	470	650	859	1000	3412	588	1.70	1080	1334	1660	1830	1935	CSR	43~52/330	10/440	215
CA9445Y	1/2	22.30	540	730	942	1100	3753	667	1.65	1190	1490	1850	2000	2280	CSR	43~52/330	15/440	215
WJ9430YK	7/16	19.80	450	570	735	880	3003	490	1.80	970	1286	1700	1792	1897	CSR	88~106/330	15/440	264
WJ9440YK	1/2	21.55	420	609	847	1025	3497	560	1.83	1126	1441	1785	1877	1982	CSR	88~106/330	15/440	264
WJ9445YK	5/8	24.20	570	774	999	1170	3992	640	1.83	1273	1594	1990	1082	2287	CSR	88~106/330	20/440	264
WJ9450YK	5/8	26.75	640	891	1154	1348	4599	790	1.71	1456	1833	2280	2372	2477	CSR	88~106/330	15/440	264
WJ9460YK	3/4	30.50	790	1044	1353	1580	5391	870	1.82	1714	2146	2655	2747	2852	CSR	88~106/330	15/440	264
WJ9470Y	3/4	34.50	820	1084	1438	1720	5869	1010	1.70	1890	2441	3100	3297	3502	CSR	88~106/330	15/440	264

115V/60Hz / 1 Ph.

AZA0413YK-1	1/6	6.00	205	266	339	399	1361	255	1.56	435	545	660	752	857	RSIR	—	—	178
AZA9413Y-1	1/6	6.00	200	264	330	384	1310	260	1.48	414	520	640	732	837	CSIR	36~43/250	—	178
AE7423Y-1	1/4	12.04	310	427	569	674	2300	420	1.60	734	925	1150	1242	1391	CSR	130~156/330	15/440	212
AE7426Y-1	1/3	14.14	400	521	661	762	2600	487	1.56	816	991	1195	1287	1414	CSR	130~156/330	15/440	216
AE9437Y-1	1/2	18.00	540	680	850	986	3364	663	1.49	1080	1380	1700	1792	1897	CSR	130~156/330	25/440	216
CA9437Y-1	1/2	18.00	542	690	865	1010	3446	697	1.45	1100	1390	1710	1802	1910	CSIR	130~156/330	—	215
CA9440Y-1	1/2	20.00	542	740	960	1120	3821	700	1.60	1215	1510	1850	1942	2050	CSR	130~156/330	25/440	215
CA9445Y-1	1/2	22.30	590	810	1040	1215	4146	860	1.41	1315	1630	2000	2105	2440	CSR	130~156/330	35/440	215
WJ9440YK-1	1/2	21.55	555	765	995	1180	4026	685	1.72	1283	1630	2020	2125	2470	CSR	216~259/250	25/440	264
WJ9445YK-1	5/8	24.20	390	710	1085	1380	4709	810	1.70	1537	2010	2510	2615	3000	CSR	216~259/250	30/440	264
WJ9460YK-1	3/4	30.50	700	1050	1490	1832	6251	1090	1.68	2020	2575	3220	3412	3920	CSR	216~259/250	30/440	264

208-230V/60Hz / 1 Ph.

AZA0387Y-2	1/10	3.80	108	157	212	252	860	164	1.54	274	341	422	514	619	RSIR	—	—	168
AZA0413YK-2	1/6	6.00	200	264	333	390	1331	265	1.47	420	530	650	742	847	RSIR	—	—	178
AZA9413Y-2	1/6	6.00	205	266	339	400	1365	265	1.51	435	545	660	752	857	CSIR	36~43/330	—	178
AE0412Y-2	1/6	5.99	191	250	317	370	1262	230	1.61	400	500	620	712	817	RSIR	—	—	189
AE7423Y-2	1/4	12.04	310	427	569	670	2286	438	1.53	731	925	1150	1242	1347	CSIR	36~43/330	—	203
AE9423Y-2	1/4	12.04	310	427	573	682	2327	396	1.72	740	935	1150	1242	1347	CSR	36~43/330	8/450	203
AE7425Y-2	1/3	14.14	400	521	645	740	2525	497	1.49	792	957	1145	1242	1350	CSIR	36~43/330	—	216
AE7430Y-2	3/8	16.08	410	579	749	866	2955	530	1.63	935	1128	1340	1432	1537	CSR	36~43/330	8/450	216
AE9437Y-2	3/8	18.00	530	675	860	1005	3429	635	1.58	1090	1380	1700	1792	1897	CSR	36~43/330	10/440	214
CA9437Y-2	3/8	18.00	542	690	865	1010	3446	608	1.66	1100	1390	1710	1820	1907	CSR	36~43/330	10/440	215
CA9440Y-2	1/2	20.00	542	761	986	1143	3900	700	1.63	1233	1518	1858	2070	2269	CSR	43~52/330	10/440	215
CA9445Y-2	1/2	22.30	603	830	1060	1235	4214	775	1.59	1333	1642	2008	2100	2360	CSR	43~52/330	15/440	215
WJ9440YK-2	1/2	21.55	545	760	990	1158	3951	680	1.70	1266	1590	2000	2092	2197	CSR	88~106/330	20/440	264
WJ9445YK-2	5/8	24.20	360	690	1075	1366	4661	767	1.78	1520	1970	2460	2197	2657	CSR	108~130/330	20/440	264
WJ9450Y-2	2/3	26.75	680	980	1330	1612	5500	850	1.90	1790	2400	3100	3192	3297	CSR	108~130/330	15/425	264
WJ9460YK-2	3/4	30.50	690	1030	1480	1800	6142	1025	1.76	1990	2530	3170	3262	3467	CSR	108~130/330	15/440	264

220-240V/50Hz, 208-230V/60Hz / 1 Ph.

AZA9387Y-6	1/10	3.80	85	130	180	215	734	143	1.50	236	293	356	448	553	CSIR	36~43/330	—	168
			112	160	216	258	880	165	1.56	280	355	437	529	634				
AZA0411Y-6	1/8	5.00	143	192	245	285	972	178	1.60	308	380	458	550	655	RSIR	—	—	178
			160	215	278	325	1109	203	1.60	355	443	542	634	739				
AZA9411Y-6	1/8	5.00	143	192	245	285	972	178	1.60	308	380	458	550	655	CSIR	36~43/330	—	178
			160	215	278	325	1109	203	1.60	355	443	542	634	739				
AE7415Y-6	1/5	7.57	193	247	214	366	1249	260	1.41	395	502	644	736	841	CSIR	36~43/330	—	188
			220	288	363	425	1450	283	1.50	466	595	750	842	947				
AE7423Y-6	1/4	12.04	255	365	486	574	1958	361	1.59	620	768	930	1022	1127	CSR	36~43/330	4/440	203
			310	427	569	670	2286	438	1.53	731	925	1150	1242	1347				
AE7430Y-6	1/3	16.08	380	490	615	722	2463	450	1.60	785	1010	1260	1352	1460	CSR	36~43/330	8/450	216
			410	579	749	866	2955	530	1.63	935	1128	1340	1432	1537				
CA9445Y-6	5/8	22.30	540	730	942	1100	3753	692	1.59	1190	1490	1850	1942	2050	CSR	43~52/330	15/440	215
			603	830	1060	1235	4214	775	1.59	1333	1642	2008	2100	2205				

Cooling Capacity (Watt)

Model	Power (HP)	Disp. (cc)	ASHRAE 46 / Evaporating Temperature									Motor Type	Start Cap. (μ F/VAC)	Run Cap. (μ F/VAC)	Height "A" (mm)	
			-10°C					+7.2°C								+10°C
			-10°C	-5°C	0°C	5°C	Watt	BTU	Input	COP						
220-240V/50Hz / 1 Ph.																
AZA3414Y	1/8	3.80	176	228	285	346	375	1280	175	2.14	417	RSIR	—	—	168	
AZA4414Y	1/8	3.80	176	228	285	346	375	1280	175	2.14	417	CSIR	36~43/330	—	168	
AZA3417Y	1/6	5.00	200	280	365	475	500	1706	233	2.15	555	RSIR	—	—	168	
AZA4417Y	1/6	5.00	200	280	365	457	500	1706	233	2.15	555	CSIR	36~43/330	—	168	
AZA3423Y	1/5	5.59	246	342	440	540	586	1999	257	2.28	642	RSIR	—	—	168	
AZA3425Y	1/5	6.00	265	365	470	580	630	2150	285	2.21	700	RSIR	—	—	178	
AZA4425Y	1/5	6.00	265	365	470	580	630	2150	300	2.10	700	CSIR	36~43/330	—	178	
AE3425Y	1/5	7.57	287	385	505	655	730	2491	342	2.13	845	RSIR	—	—	189	
AE4425Y	1/5	7.57	287	383	494	630	700	2388	327	2.14	794	CSIR	36~43/330	—	183	
AE3430Y	1/4	8.86	358	464	595	760	850	2900	395	2.15	990	RSIR	—	—	189	
AE4430Y	1/4	8.86	355	460	590	738	820	2798	390	2.10	940	CSIR	36~43/330	—	176	
			355	460	590	738	820	2798	340	2.41	940	CSR	36~43/330	8/450	189	
AE3435Y	1/4	9.42	395	500	625	800	892	3044	427	2.09	1020	RSIR	—	—	189	
AE4435Y	1/4	9.42	501	605	718	840	902	3078	440	2.05	980	CSIR	36~43/330	—	189	
			501	605	718	840	900	3071	375	2.40	980	CSR	36~43/330	8/450	189	
AE4440Y	1/3	12.04	494	635	800	985	1075	3668	505	2.13	1195	CSIR	36~43/330	—	202	
			494	635	800	985	1075	3668	420	2.56	1195	CSR	36~43/330	8/450	202	
AE4448Y	3/8	14.14	573	720	895	1095	1190	4060	575	2.07	1322	CSIR	36~43/330	—	212	
			567	725	906	1120	1220	4163	520	2.35	1359	CSR	36~43/330	12/440	212	
AE4459Y	1/2	16.08	617	784	1011	1300	1450	4947	615	2.36	1651	CSR	43~52/330	15/440	216	
AW4495YK	3/4	30.50	837	1135	1530	2070	2380	8121	850	2.80	2850	CSR	88~106/330	20/440	289	
AW4513YK	1-1/4	35.60	1071	1470	2000	2680	3090	10543	1050	2.94	3700	CSR	88~106/330	30/440	289	
AW4514YK	1-1/4	37.50	1113	1580	2150	2930	3334	11376	1104	3.02	3980	CSR	88~106/330	35/440	324	
AW4515YK	1-1/5	39.60	1239	1700	2300	3060	3526	12031	1190	2.96	4200	CSR	88~106/330	35/440	324	
AW4517YK	1-1/2	48.40	1600	2138	2860	3775	4298	14665	1487	2.89	5100	CSR	108~130/330	20/440	324	
115V/60Hz / 1 Ph.																
AZA3414Y-1	1/8	3.80	190	252	324	405	445	1518	220	2.02	503	RSIR	—	—	168	
AZA4414Y-1	1/8	3.80	190	252	324	405	445	1518	220	2.02	503	CSIR	88~106/330	—	168	
AE3417Y-1	1/6	5.68	276	350	436	535	586	1999	288	2.03	654	RSIR	—	—	189	
AE3425Y-1	1/5	7.57	360	469	589	730	802	2736	401	2.00	896	RSIR	—	—	172	
AE4425Y-1	1/5	7.57	373	475	600	745	820	2798	419	1.96	930	CSIR	108~130/250	—	189	
AE4430Y-1	1/4	8.86	465	584	721	883	965	3293	432	2.23	1077	CSR	108~130/250	30/440	189	
AE4440Y-1	1/3	12.04	500	640	815	1045	1174	4006	591	1.99	1350	CSR	108~130/250	20/440	203	
AE4448Y-1	3/8	14.14	637	810	1025	1300	1456	4968	682	2.13	1688	CSR	108~130/250	20/440	216	
AE4459Y-1	1/2	16.08	779	922	1160	1500	1700	5800	850	2.00	2000	CSR	130~156/330	25/440	216	
208-230V/60Hz / 1 Ph.																
AZA3414Y-2	1/8	3.80	190	252	324	405	445	1518	215	2.07	503	RSIR	—	—	168	
AE3417Y-2	1/6	5.68	262	336	422	520	570	1945	295	1.93	630	RSIR	—	—	189	
AE3425Y-2	1/5	7.57	380	480	598	740	810	2764	392	2.07	920	RSIR	—	—	189	
AE4425Y-2	1/5	7.57	377	476	592	732	807	2753	390	2.07	915	CSIR	36~43/330	—	189	
AE3430Y-2	1/4	8.86	454	570	705	860	940	3207	460	2.04	1052	RSIR	—	—	189	
AE4430Y-2	1/4	8.86	454	570	705	860	940	3207	475	1.98	1052	CSIR	36~43/330	—	201	
			460	582	722	886	973	3320	436	2.23	1094	CSR	36~43/330	8/450	189	
AE4440Y-2	1/3	12.05	590	760	945	1140	1230	4197	610	2.02	1360	CSIR	36~43/330	—	216	
			609	777	965	1180	1270	4333	560	2.27	1433	CSR	36~43/330	8/450	203	
AE4448Y-2	3/8	14.14	698	880	1082	1300	1402	4784	627	2.24	1540	CSR	36~43/330	10/440	212	
AE4459Y-2	1/2	16.08	830	1035	1260	1515	1645	5613	774	2.13	1830	CSR	36~43/330	15/440	212	
AE7423Y-2	1/4	12.04	598	680	821	1100	670	2286	438	1.53	1520	CSIR	36~43/330	—	203	
AE9423Y-2	1/3	12.04	598	680	821	1100	1270	4333	560	2.27	1520	CSR	36~43/330	8/450	203	
AE9423Y-2	1/3	12.04	598	680	821	1100	1270	4333	560	2.27	1520	CSR	36~43/330	8/450	203	

R134a HBP

Cooling Capacity (Watt)

Model	Power (HP)	Disp. (cc)	ASHRAE 46 / Evaporating Temperature									Motor Type	Start Cap. (µF/VAC)	Run Cap. (µF/VAC)	Height "A" (mm)	
			-10°C					+7.2°C								+10°C
			-10°C	-5°C	0°C	5°C	Watt	BTU	Input	COP						
208-230V/60Hz / 1 Ph.																
AE7425Y-2	1/3	14.14	631	799	994	1260	740	2525	497	1.49	1600	CSIR	36~43/330	—	216	
AE7430Y-2	1/3	16.08	749	915	1119	1430	860	2934	530	1.63	1920	CSR	36~43/330	8/450	216	
AE9437Y-2	1/2	18.00	881	1030	1268	1700	1950	6653	870	2.24	2300	CSR	36~43/330	10/440	216	
CA9437Y-2	1/2	18.00	881	1030	1268	1700	1950	6653	848	2.30	2300	CSR	36~43/330	10/440	215	
CA9440Y-2	1/2	20.00	900	1050	1330	1800	2070	7063	990	2.09	2450	CSR	43~52/330	10/440	215	
CA9445Y-2	5/8	22.30	1100	1310	1585	2000	2235	7626	1080	2.07	2588	CSR	43~52/330	15/440	215	
WJ9450Y-2	2/3	26.75	1200	1650	2200	2850	3224	11000	1220	2.64	3650	CSR	108~130/330	15/425	264	
WJ9460YK-2	3/4	30.50	1380	1887	2471	3120	3468	11833	1120	3.10	3934	CSR	108~130/330	15/440	264	
AW4495YK-2	4/5	30.50	1000	1470	2000	2590	2925	9980	1075	2.72	3400	CSR	130~156/330	30/440	289	
AW4513YK-2	1-1/4	35.60	1253	1750	2340	3140	3640	12420	1304	2.79	4400	CSR	108~130/330	35/440	289	
AW4517YK-2	1-1/2	48.40	1750	2500	3360	4430	5000	17060	1760	2.84	5800	CSR	130~156/330	35/440	324	
100V/50-60Hz / 1 Ph.																
AE4425Y-3	1/5	7.57	287	383	494	630	702	2395	356	1.97	794	CSIR	108~130/250	—	189	
			382	484	610	753	830	2832	393	2.11	940					
AE4430Y-3	1/4	8.86	358	464	595	745	820	2798	412	1.99	925	CSIR	108~130/250	—	189	
			458	584	720	868	940	3207	475	1.98	1035					
AE4440Y-3	1/3	12.04	494	635	800	985	1075	3668	560	1.92	1195	CSR	130~156/330	35/440	202	
			639	801	970	1155	1245	4248	620	2.01	1370					
AE4448Y-3	3/8	14.14	659	813	992	1185	1280	4367	570	2.25	1410	CSR	130~156/330	35/440	216	
			677	830	1025	1280	1430	4879	695	2.06	1676					
220-240V/50Hz, 208-230V/60Hz / 1 Ph.																
AZA3417Y-6	1/6	5.00	200	280	365	457	500	1706	233	2.15	555	RSIR	—	—	178	
			240	319	418	537	600	2047	293	2.05	685					
AZA4417Y-6	1/6	5.00	200	280	365	457	500	1706	233	2.15	555	CSIR	36~43/330	—	178	
			240	319	418	537	600	2047	293	2.05	685					
AE3425Y-6	1/5	7.57	291	390	502	637	710	2423	343	2.07	810	RSIR	—	—	183	
			388	488	613	760	835	2849	396	2.11	933					
AE4425Y-6	1/5	7.57	287	383	494	630	700	2388	327	2.14	794	CSIR	36~43/330	—	183	
			388	488	605	745	821	2801	405	2.03	933					
AE4430Y-6	1/4	8.86	360	456	570	710	790	2695	320	2.47	906	CSR	36~43/330	10/450	183	
			466	590	728	880	960	3276	390	2.46	1065					
AE4435Y-6	1/3	9.42	501	605	718	840	900	3071	370	2.43	980	CSR	36~43/330	10/450	183	
			451	596	765	955	1050	3583	435	2.41	1188					
AE4440Y-6	1/3	12.04	494	635	800	985	1075	3668	456	2.36	1195	CSR	36~43/330	8/450	202	
			648	810	987	1180	1277	4357	550	2.32	1415					
AE4448Y-6	7/16	14.14	656	820	998	1200	1304	4449	574	2.27	1460	CSR	36~43/330	10/440	216	
			698	870	1070	1290	1401	4780	627	2.23	1569					
AE4459Y-6	1/2	16.08	617	784	1011	1290	1450	4947	615	2.36	1651	CSR	43~52/330	20/440	216	
			830	1035	1260	1520	1650	5630	750	2.20	1830					
380-420V/50Hz, 440-460V/60Hz / 3 Ph.																
WJ4512YXG	1	34.50	1214	1655	2250	3000	3476	3476	1350	2.57	4263	3 Ph.	—	—	264	
			1433	1950	2650	3535	4050	4050	1650	2.45	5000					
AW4520YXG	1-2/3	53.50	1967	2588	3488	4630	5352	5352	1575	3.40	6700	3 Ph.	—	—	324	
			2292	3040	4063	5420	6234	6234	1850	3.37	7900					
AW4528YXG	2-1/3	71.00	2498	3370	4450	5900	6800	6800	2255	3.02	8600	3 Ph.	—	—	324	
			3003	4050	5350	7100	8200	8200	2750	2.98	10000					

Cooling Capacity (Watt)																
Model	Power (HP)	Disp. (cc)	ASHRAE 46 / Evaporating Temperature										Motor Type	Start Cap. (µF/VAC)	Run Cap. (µF/VAC)	Height "A" (mm)
			-10°C	-5°C	0°C	5°C	+7.2°C				+10°C	+15°C				
							Watt	BTU	Input	COP						
220-240V/50Hz / 1 Ph.																
AW5517B	1-1/2	25.84	1505	2270	3103	4502	4602	15702	1600	2.88	5165	6488	PSC	—	40/370-440	324
AW5520B	1-3/4	27.80	2270	2900	3700	4580	5100	17401	1770	2.88	5900	7600	PSC	88~106/330	30/440	324
AW5522B	2	30.50	2440	3260	4120	5050	5540	18902	1990	2.78	6360	8570	PSC	88~106/330	45/440	324
AW5524B	2	32.70	2530	3350	4300	5405	6008	20499	2190	2.74	6900	9230	PSC	88~106/330	45/440	324
AW5528B	2-1/2	35.60	3130	4120	5240	6500	7210	24601	2455	2.94	8300	10670	PSC	88~106/330	35/440	324
AW5530B	2-1/2	37.50	3260	4280	5480	6800	7415	25300	2550	2.91	8500	11100	PSC	88~106/330	50/440	324
AW5532B	2-3/4	39.60	4100	4990	6030	7250	7913	26999	2750	2.88	9100	12000	PSC	88~106/330	50/440	324
AW5535B	3	43.10	3704	4980	6345	7850	8646	29500	3000	2.88	10000	13200	PSC	88~106/330	60/440	324
AW5540B	3	48.40	4980	6100	7500	9070	9906	33799	3530	2.81	11300	14120	PSC	88~106/330	60/440	324
AW5542B	3-1/2	50.60	5117	6350	7800	9450	10317	35202	3700	2.79	12200	16750	PSC	88~106/330	60/440	324
208-230V/60Hz / 1 Ph.																
AW5520B-2	1-3/4	27.80	2542	3240	4100	5140	5718	19510	2052	2.79	6600	8588	PSC	130~156/330	35/440	289
AW5524B-2	2	32.70	3087	4020	5130	6570	7414	25297	2628	2.82	8700	11445	PSC	161~193/330	40/440	289
AW5530B-2	2-1/2	37.50	3782	4965	6300	7890	8702	29691	3100	2.81	10100	13098	PSC	161~193/330	45/440	324
AW5532B-2	2-3/4	39.60	4920	5964	7236	8600	9487	32370	3375	2.81	11000	14520	PSC	161~193/330	50/440	324
AW5535B-2	3	43.10	4482	5929	7677	9550	10466	35710	3723	2.81	12050	16104	PSC	108~130/330	60/440	324
AW5540B-2	3-1/2	48.40	6199	7600	9135	10900	12007	40968	4246	2.83	14000	18215	PSC	108~130/330	60/440	324
380-420V/50Hz, 460V/60Hz / 3 Ph.																
AW5542B-9	3-1/2	50.60	5181	6462	7904	9568	10375	35400	3660	2.83	11513	13800	3 Ph.	—	—	324
			6140	7789	9580	11532	12456	42500	4500	2.77	13666	16000				
AW5548B-9	3-3/4	63.00	6420	7894	9515	11326	12210	41661	4737	2.58	13367	15677	3 Ph.	—	—	324
			7684	9654	11748	14045	15149	51688	5618	2.70	16622	19560				

R22 MBP / CBP

Cooling Capacity (Watt)																	
Model	Power (HP)	Disp. (cc)	ASHRAE 46 / Evaporating Temperature										Motor Type	Start Cap. (µF/VAC)	Run Cap. (µF/VAC)	Height "A" (mm)	
			-20°C	-15°C	-10°C	-6.7°C				-5°C	0°C	5°C					+10°C
						Watt	BTU	Input	COP								
220-240V/50Hz / 1 Ph.																	
AE6412EK	1/6	4.50	130	190	248	290	989	240	1.21	313	380	450	525	RSIR	—	—	189
AE7415EK	1/5	5.48	150	225	307	370	1262	310	1.19	405	505	607	715	CSIR	36~43/250	—	189
AE7422EK	1/4	7.57	250	360	468	550	1877	420	1.31	595	720	850	997	CSIR	36~43/330	—	189
AE9422EK	1/4	7.57	280	390	506	595	2030	417	1.43	640	783	937	1090	CSIR	36~43/330	—	203
AE7426EK	1/4	8.86	300	410	540	640	2184	480	1.33	705	885	1080	1286	CSIR	36~43/330	—	201
AE7435EK	7/16	12.04	450	600	760	870	2968	550	1.58	935	1120	1330	1576	CSR	36~43/330	8/440	216
AE7440EK	1/2	14.14	630	768	910	1010	3446	660	1.53	1073	1243	1440	1680	CSR	36~43/330	12/440	216
BA7440EK	1/2	14.14	630	768	910	1010	3446	660	1.53	1073	1243	1440	1680	CSR	36~43/330	12/440	216
BA7445E	1/2	16.08	641	812	984	1113	3798	801	1.39	1159	1337	1519	1705	CSR	36~43/330	15/440	212
WJ9460EK	1/2	19.80	565	893	1237	1490	5084	855	1.74	1621	2074	2620	3286	CSR	88~106/330	15/450	264
WJ9470EK	3/4	21.55	809	1122	1459	1700	5800	958	1.77	1836	2264	2757	3327	CSR	88~106/330	20/440	264
WJ9480EK	4/5	24.20	1017	1324	1651	1900	6483	1100	1.73	2027	2481	3041	3738	CSR	88~106/330	25/450	264
WJ9485EK	1	26.70	1038	1447	1861	2140	7302	1246	1.72	2311	2831	3453	4209	CSR	145~175/330	25/450	264
WJ9510EK	1	30.50	1254	1691	2141	2460	8394	1425	1.73	2625	3167	3790	4515	CSR	145~175/330	25/450	264
WJ9513E	1-1/3	34.50	1700	2139	2665	3031	10342	1638	1.85	3251	3928	4730	5665	CSR	108~130/330	30/440	264
208-230V/60Hz / 1 Ph.																	
AE7415EK-2	1/6	5.48	233	303	380	430	1467	360	1.19	465	565	680	804	CSIR	36~43/250	—	189
AE7422EK-2	1/4	7.57	400	490	590	656	2238	490	1.34	695	810	930	1060	CSIR	36~43/250	—	189
AE7426EK-2	1/3	8.86	500	600	705	785	2678	577	1.36	820	940	1070	1210	CSIR	36~43/250	—	201
AE7435EK-2	2/5	12.04	650	770	895	985	3361	690	1.43	1030	1170	1310	1460	CSR	36~43/330	8/450	216
AE7440EK-2SR	1/2	14.14	646	825	1029	1173	4002	1009	1.48	1264	1533	1841	2190	CSR	36~43/330	15/440	216
AE7445E-2	1/2	16.08	900	1030	1185	1300	4436	987	1.32	1365	1557	1770	2000	CSR	36~43/330	25/440	216
WJ9460E-2	3/4	19.80	1200	1445	1675	1846	6299	1050	1.76	1935	2200	2480	2750	CSR	88~106/330	20/440	264

R22 HBP

Cooling Capacity (Watt)															
Model	Power	Disp.	ASHRAE 46 / Evaporating Temperature								Motor Type	Start Cap.	Run Cap.	Height "A"	
			-10°C	-5°C	0°C	5°C	+7.2°C								+10°C
	(HP)	(cc)	Watt	BTU	Input	COP	Watt	BTU	Input	COP		(µF/VAC)	(µF/VAC)	(mm)	
220-240V/50Hz / 1 Ph.															
AE4430EK	1/4	6.92	472	568	674	795	852	2907	467	1.82	928	CSR	36~43/330	8/450	202
AE4440EK	1/3	7.57	520	641	777	925	1000	3412	453	2.21	1090	CSR	36~43/330	8/450	202
AE4448EK	3/8	8.85	630	774	929	1095	1172	3999	560	2.09	1280	CSR	36~43/330	8/450	202
AE4474EK	5/8	14.14	883	1100	1360	1650	1800	6142	840	2.14	1980	CSR	36~43/330	15/440	212
AW4515EK	3/8	30.50	1546	2118	2810	3653	4085	13938	1390	2.94	4678	CSR	108~130/330	25/440	289
AW4519EK	5/8	35.60	1963	2618	3399	4346	4835	16497	1688	2.86	5497	CSR	108~130/330	25/440	289
AW4520EK	3/4	37.50	2287	2990	3801	4741	5200	17742	1738	2.99	5830	CSR	108~130/330	35/440	324
AW4522EK	1/2	39.60	2397	3228	4145	5173	5667	19336	1895	2.99	6336	CSR	108~130/330	35/440	324
AW4524EK	1/2	43.10	2478	3350	4100	4908	5750	20950	2089	2.94	6700	CSR	108~130/330	45/450	324
AW4528EK	1-3/8	48.40	3450	3740	4358	5055	6430	24252	2415	2.94	7986	CSR	130~156/330	35/440	324
AW4530EK	1-1/2	50.60	3706	4604	5608	6760	7327	25000	2498	2.93	8101	CSR	88~106/330	50/440	324
AW4532EK	2-3/4	53.50	3561	4651	5856	7200	7870	26852	2678	2.94	8706	CSR	130~156/330	50/440	324
208-230V/60Hz / 1 Ph.															
AE4430EK-2	1/4	6.92	507	600	728	865	940	3207	585	1.61	1040	CSR	36~43/330	8/450	202
AE4440EK-2	3/8	7.57	630	780	940	1118	1200	4094	568	2.11	1310	CSR	36~43/330	8/450	202
AE4448EK-2	7/16	8.86	690	840	1025	1239	1350	4606	725	1.86	1500	CSR	36~43/330	8/450	202
AE4474EK-2	3/4	14.14	1088	1381	1687	2013	2165	7387	1070	2.02	2364	CSR	36~43/330	15/440	216
AW4528EK-2	3/4	48.40	2962	4200	5600	7300	8148	27801	2780	2.93	9225	CSR	130~156/330	35/440	324
AW4532EK-2	3	53.50	3200	4400	6000	8150	9370	31970	3228	2.90	11040	CSR	130~156/330	50/440	324

R22 AC

Cooling Capacity (Watt)																
Model	Power	Disp.	ASHRAE 46 / Evaporating Temperature								Motor Type	Start Cap.	Run Cap.	Height "A"		
			-10°C	-5°C	0°C	5°C	+7.2°C								+10°C	+15°C
	(HP)	(cc)	Watt	BTU	Input	COP	Watt	BTU	Input	COP		Watt	BTU	Input	COP	(µF/VAC)
220-240V/50Hz / 1 Ph.																
WJ5510EK	3/4	19.80	1285	1653	2060	2500	2690	9178	1094	2.46	2957	3460	PSC	—	15/440	264
WJ5513EK	1-1/15	21.50	1363	1820	2343	2930	3165	10799	1218	2.60	3536	4200	PSC	—	20/440	264
WJ5515EK	1-1/15	24.20	1590	2075	2620	3220	3517	12000	1360	2.59	3925	4700	PSC	—	25/440	264
WJ5516EK	1-1/3	26.75	1895	2390	2960	3600	3927	13399	1550	2.53	4350	5200	PSC	—	25/440	264
WJ5518EK	1-1/2	30.50	2014	2617	3291	4055	4425	15098	1780	2.49	4911	5820	PSC	—	25/440	264
AW5513EK	1-1/15	27.80	1517	1925	2386	2913	3537	12068	1270	2.79	3518	4212	CSR	88-106/330	20/440	289
AW5515EK	1-3/8	30.50	1720	2250	2950	3710	4085	13938	1390	2.94	4570	5500	PSC	—	25/440	289
AW5517EK	1-1/2	32.70	1816	2410	3083	3980	4400	15013	1500	2.93	5032	6300	PSC	—	30/440	289
AW5519EK	1-1/2	35.60	1960	2620	3415	4340	4835	16497	1688	2.86	5500	6900	PSC	—	30/440	289
AW5520EK	1-3/4	37.50	2258	3000	3850	4760	5200	17742	1738	2.99	5820	6930	PSC	—	35/440	324
AW5522EK	2	39.60	2223	3014	3942	5060	5465	18647	1810	3.02	6422	8084	PSC	—	35/440	324
AW5524EK	2	43.10	2639	3478	4443	5578	6140	20950	2030	3.02	6928	8537	PSC	—	35/440	324
AW5528EK	2-3/8	48.40	3118	4100	5239	6500	7108	24252	2415	2.94	8250	10500	PSC	—	35/440	324
AW5530EK	2-1/2	50.60	3642	4659	5719	6831	7327	25000	2498	2.93	8001	9236	PSC	—	50/440	324
AW5532EK	2-3/4	53.50	3682	4711	5866	7203	7870	26852	2678	2.94	8779	10649	PSC	—	50/440	324
AW5535EK	3	59.00	3786	5000	6350	8000	8675	29599	3100	2.80	10005	12300	PSC	—	60/440	324
AW5538E	3-1/6	63.00	4500	5660	7000	8500	9232	31500	3100	2.98	10200	12100	PSC	—	60/440	324
AW5542E	3-1/2	70.95	5943	7067	8300	9750	10258	35000	3550	2.89	11700	14000	PSC	—	60/440	324
208-230V/60Hz / 1 Ph.																
WJ5510EK-2	1	19.80	1490	1970	2510	3090	3390	11567	1380	2.46	3800	4500	PSC	—	15/440	264
WJ5513EK-2	1-1/15	21.50	1649	2205	2835	3500	3810	13000	1485	2.57	4250	5100	PSC	—	25/440	264
WJ5515EK-2	1-1/15	24.20	1927	2500	3158	3870	4220	14399	1717	2.46	4749	5700	PSC	—	25/440	264

Cooling Capacity (Watt)																
Model	Power (HP)	Disp. (cc)	ASHRAE 46 / Evaporating Temperature										Motor Type	Start Cap. (μ F/VAC)	Run Cap. (μ F/VAC)	Height "A" (mm)
			-10°C	-5°C	0°C	5°C	+7.2°C				+10°C	+15°C				
							Watt	BTU	Input	COP						
208-230V/60Hz / 1 Ph.																
WJ5516EK-2	1-1/3	26.75	2175	2814	3467	4300	4720	16105	1925	2.45	5324	6450	PSC	—	25/440	264
WJ5518EK-2	1-1/2	30.50	2625	3246	4072	5000	5480	18698	2230	2.46	6144	7500	PSC	—	30/440	264
AW5513EK-2	1-1/5	27.80	1775	2290	3010	3900	4323	14750	1470	2.94	4945	6150	PSC	—	25/440	289
AW5515EK-2	1-1/15	30.50	2271	2936	3665	4482	4870	16616	1695	2.87	5411	6473	PSC	—	25/440	289
AW5519EK-2	1-5/8	35.60	2457	3271	4173	5250	5757	19643	2040	2.82	6500	7800	PSC	—	35/440	289
AW5520EK-2	1-2/3	37.50	2601	3466	4440	5600	5980	20404	2030	2.95	6950	8400	PSC	—	35/440	324
AW5522EK-2	1-5/6	39.60	2705	3605	4680	6000	6520	22246	2250	2.90	7500	9200	PSC	—	30/440	324
AW5524EK-2	2	43.10	3274	4237	5340	6618	7100	24225	2420	2.93	8106	9841	PSC	—	40/440	324
AW5528EK-2	2-1/3	48.40	3954	4900	6100	7500	8170	27876	2830	2.89	9173	11000	PSC	—	40/440	324
AW5530EK-2	2-1/2	50.60	4338	5324	6600	8100	8900	30367	3035	2.93	10300	12900	PSC	—	50/440	324
AW5532EK-2	2-2/3	53.50	4598	5750	7050	8700	9370	31970	3228	2.90	11000	14000	PSC	—	50/440	324
AW5535EK-2	3	59.00	5075	6250	7750	9550	10200	34802	3640	2.80	12300	16000	PSC	—	60/440	324
AW5538E-2	3 1/2	63.00	5296	6608	8161	10000	10958	37389	3790	2.89	12600	15800	PSC	—	60/440	324
380-420V/50Hz, 460V/60Hz / 3 Ph.																
AW5522E-9	1-3/4	39.60	2307	3003	3812	4730	5143	17548	1700	3.03	5711	6800	3 Ph.	—	—	324
			2754	3616	4600	5700	6213	21199	2020	3.08	6930	8300				
AW5524E-9	2	43.10	2487	3287	4216	5285	5802	19796	1918	3.03	6507	7892	3 Ph.	—	—	324
			2884	3819	4928	6237	6909	23574	2278	3.03	7774	9566				
AW5528E-9	2-1/2	48.40	3050	3970	5040	6220	6800	23202	2230	3.05	7550	9000	3 Ph.	—	—	324
			3665	4813	6140	7580	8270	28217	2670	3.10	9300	11200				
AW5530E-9	2-1/2	50.60	3527	4460	5517	6700	7327	25000	2400	3.05	8260	10100	3 Ph.	—	—	324
			4224	5372	6655	8100	8909	30398	2900	3.07	9998	12000				
AW5532E-9	2-3/4	53.50	3580	4563	5600	6800	7440	25385	2520	2.95	8433	10500	3 Ph.	—	—	324
			4300	5469	6775	8300	9086	31001	3030	3.00	10187	12300				
AW5535E-9	2-3/4	59.00	4017	5120	6283	7650	8353	28500	3234	2.58	9470	11600	3 Ph.	—	—	324
			4816	6100	7600	9300	10200	34802	3925	2.60	11400	13700				
AW5538E-9	2-3/4	63.00	4296	5476	6720	8200	8970	30606	3100	2.89	10204	12600	3 Ph.	—	—	324
			5117	6508	8062	9900	10845	37003	3770	2.88	12224	15000				
AW5542E-9	2-3/4	71.00	4976	6250	7784	9500	10390	35451	3625	2.87	11806	14500	3 Ph.	—	—	324
			5891	7493	9282	11450	12515	42701	4440	2.82	14160	17300				
KA5538EXG	3	65.00	4538	5600	6700	8100	8793	30002	2730	3.22	9930	12300	3 Ph.	—	—	399
			5272	6650	8200	9990	10844	37000	3286	3.30	12091	14400				
KA5542EXG	3-1/2	70.00	4935	6112	7499	9080	9965	34001	3047	3.27	11272	13900	3 Ph.	—	—	399
			5606	7200	9000	11050	12017	41002	3630	3.31	13400	16000				
KA5550EXG	4	80.00	5606	7200	9000	11050	12017	41002	3686	3.26	13400	16000	3 Ph.	—	—	399
			7029	8900	11000	13240	14360	48996	4365	3.29	15909	18800				
KA5555EXG	4-1/2	90.00	6760	8372	10300	12400	13482	46001	4110	3.28	15029	18000	3 Ph.	—	—	399
			7280	9409	11900	14700	16120	55001	4975	3.24	18304	22000				
KA5560EXG	5	100.00	7232	9346	11700	14370	15534	53002	4736	3.28	17410	21000	3 Ph.	—	—	399
			8294	10554	13000	15680	17000	58004	5466	3.11	18932	22500				
KA5570EXG	6	115.00	8294	10554	13000	15680	17000	58004	5466	3.11	18932	22500	3 Ph.	—	—	399
			9981	12700	15667	18900	20516	70001	6618	3.10	22909	28000				
LA5590EXG	7-1/2	174.00	7742	11200	15200	19800	21980	74996	7580	2.90	25000	30500	3 Ph.	—	—	438
			9267	13700	18600	24000	26378	90002	9090	2.90	30000	36700				
LA5610EXG	9	197.00	11085	14800	18856	23300	25498	86999	8790	2.90	28500	34400	3 Ph.	—	—	454
			13372	17478	22639	28200	30774	105001	10600	2.90	34311	41000				
LA5612EXG	10	211.00	12375	16188	20968	25970	28430	97003	9800	2.90	31965	38500	3 Ph.	—	—	454
			14868	19443	25220	32000	35170	120000	12120	2.90	39400	47500				
380V/60Hz / 3 Ph.																
KA5560EXI	5	100.00	8294	10600	13300	16100	17430	59471	5550	3.14	19200	22400	3 Ph.	—	—	399
LA5590EXI	7-1/2	174.00	9267	13700	18600	24000	26378	90002	9090	2.90	29800	36000	3 Ph.	—	—	438
LA5610EXI	9	197.00	13372	17478	22639	28200	30774	105001	10600	2.90	34311	40900	3 Ph.	—	—	454
LA5612EXI	10	211.00	14868	19443	25220	31800	35170	120000	12120	2.90	40000	50000	3 Ph.	—	—	454

R22 AC

Cooling Capacity (Watt)																
Model	Power (HP)	Disp. (cc)	ASHRAE 46 / Evaporating Temperature										Motor Type	Start Cap. (µF/VAC)	Run Cap. (µF/VAC)	Height "A" (mm)
			-10°C	-5°C	0°C	5°C	+7.2°C				+10°C	+15°C				
							Watt	BTU	Input	COP						
220V/50Hz, 200-230V/60Hz / 1Ph.																
KA5550EXT	4	80.00	5906	7313	8822	10600	11560	39446	3536	3.27	12990	15500	3 Ph.	—	—	399
			6607	8407	10300	12430	13629	46502	4150	3.28	15260	18500				
KA5555EXT	4-1/2	90.00	6794	8414	10324	12450	13600	46403	4160	3.27	15179	18000	3 Ph.	—	—	399
			7207	9221	11711	14500	15914	54300	4860	3.27	18121	22500				
LA5590EXT	7-1/2	174.00	7742	11200	15200	19800	21980	74999	7580	2.90	25000	30500	3 Ph.	—	—	454
			9267	13600	18500	24000	26400	90002	9090	2.90	30000	36500				
LA5610EXT	9	197.00	11085	14800	18856	23300	25498	86999	8790	2.90	28500	34600	3 Ph.	—	—	454
			13372	17478	22639	28200	30774	105001	10600	2.90	34311	41000				
LA5612EXT	10	211.00	12375	16188	20800	25900	28430	97003	9800	2.90	31965	39000	3 Ph.	—	—	454
			14868	19700	25400	32000	35170	120000	12120	2.90	39500	48000				
100V/50/60Hz / 1 Ph.																
AW5528EK-3	2-3/8	48.40	3065	4024	5126	6440	7108	24252	2415	2.94	8030	9962	PSC	—	35/475	324
AW5532EK-3	2-3/4	53.50	3786	4759	5884	7190	7870	26852	2678	2.94	8702	10448	PSC	—	50/440	324
200-220V/50/60Hz / 1Ph.																
AW5520EK-6	1-2/3	37.50	2220	2914	3749	4721	5220	17811	1807	2.89	5827	7061	PSC	—	35/440	324
			2198	3177	4231	5402	5980	20404	2030	2.95	6731	8100				

R407C MBP / CBP

Cooling Capacity (Watt)																	
Model	Power (HP)	Disp. (cc)	ASHRAE 46 / Evaporating Temperature										Motor Type	Start Cap. (µF/VAC)	Run Cap. (µF/VAC)	Height "A" (mm)	
			-20°C	-15°C	-10°C	-6.7 °C				-5°C	0°C	5°C					10°C
						Watt	BTU	Input	COP								
220-240V/50Hz / 1 Ph.																	
AE7445GK	5/8	16.08	670	820	990	1113	3798	800	1.39	1190	1440	1700	2000	CSR	36~43/330	15/440	216
CA7457G	1	18.00	700	930	1170	1337	4562	899	1.49	1440	1700	2000	2300	CSR	36~43/330	15/440	216
WJ9460GK	3/4	19.80	850	1070	1315	1490	5084	855	1.74	1585	1900	2250	2650	CSR	88~106/330	15/425	264
WJ9470GK	1	21.55	890	1127	1450	1700	5800	958	1.77	1850	1300	2800	3400	CSR	88~106/330	20/425	264
WJ9480GK	1-1/8	24.20	950	1250	1600	1900	6483	1100	1.73	2050	2550	3070	3600	CSR	88~106/330	25/440	264
WJ9485GK	1-1/4	26.70	970	1330	1780	2140	7302	1246	1.72	2345	2900	3500	4070	CSR	145~175/330	25/440	264
WJ9510GK	1-1/2	30.50	1200	1630	2100	2460	8394	1425	1.73	2640	3210	3800	4400	CSR	145~174/330	25/450	264
208-230V/60Hz / 1 Ph.																	
AE7445GK-2	7/8	14.14	950	1340	1770	2080	7097	970	2.14	2260	2810	3400	4000	CSR	36~43/330	15/440	214
WJ9460G-2	3/4	19.80	930	1240	1580	1846	6299	1050	1.76	1985	2450	2950	3480	CSR	88~106/330	20/440	264
220-240V/50Hz, 208-230V/60Hz / 1 Ph.																	
WJ9480G-6	1-1/8	24.20	960	1300	1660	1917	6541	1100	1.74	2050	2490	2950	3420	CSR	88~106/330	25/450	264
			1200	1590	2030	2345	8001	1360	1.72	2550	3120	3750	4400				
220-240V/50Hz, 208-230/60Hz / 1Ph.																	
WJ9480G-6	1-1/8	24.20	960	1273	1637	1917	6541	1100	1.74	2061	2553	3151	3775	CSR	108-130/330	25/450	264
			1119	1536	1997	2345	8001	1360	1.72	2524	3135	3851	4693				

Cooling Capacity (Watt)																
Model	Power	Disp.	ASHRAE 46 / Evaporating Temperature										Motor Type	Start Cap.	Run Cap.	Height "A"
			-10°C	-5°C	0°C	5°C	+7.2°C				10°C					
	(HP)	(cc)					Watt	BTU	Input	COP		(µF/VAC)		(µF/VAC)	(mm)	
220-240V/50Hz / 1 Ph.																
AW4515GK	1-1/2	30.50	2000	2519	3100	3790	4085	13938	1390	2.94	4520	CSR	108~130/330	25/440	289	
AW4517GK	1-1/2	32.70	2200	2760	3370	4080	4440	15149	1536	2.89	4900	CSR	108~130/330	30/440	289	
AW4519GK	1-3/4	35.60	2450	3040	3720	4470	4835	16497	1688	2.86	5290	CSR	108~130/330	25/440	289	
AW4520GK	1-3/4	37.50	2750	3380	4080	4850	5200	17742	1738	2.99	5700	CSR	108~130/330	35/440	324	
AW4522GK	2	39.60	3040	3730	4470	5280	5667	19336	1895	2.99	6170	CSR	108~130/330	35/440	324	
AW4524GK	2	43.10	3400	4120	4890	5740	6140	20950	2090	2.94	6680	CSR	108~130/330	45/440	324	
AW4528GK	2-1/2	48.40	4100	4900	5750	6690	7108	24252	2415	2.94	7700	CSR	130~156/330	35/440	324	
AW4532GK	2-3/4	53.50	4600	5470	6400	7400	7870	26852	2678	2.94	8500	CSR	130~156/330	50/440	324	
208-230V/60Hz / 1 Ph.																
AW4519GK-2	1-2/3	35.60	2540	3150	3835	4610	4974	16971	1950	2.55	5455	CSR	88~106/330	30/440	289	
AW4524GK-2	2	43.10	4100	4900	5750	6690	7100	24225	2420	2.93	7700	CSR	108~130/330	35/440	324	
AW4528GK-2	2-1/2	48.40	4800	5650	6640	7660	8148	27801	2780	2.93	8800	CSR	130~156/330	35/440	324	
AW4532GK-2	2-2/3	53.50	5680	6600	7640	8800	9370	31970	3228	2.90	10100	CSR	130~156/330	50/440	324	

R407C AC

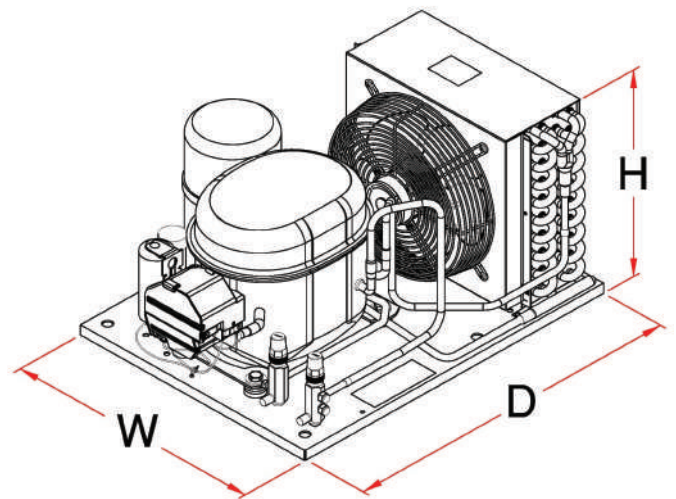
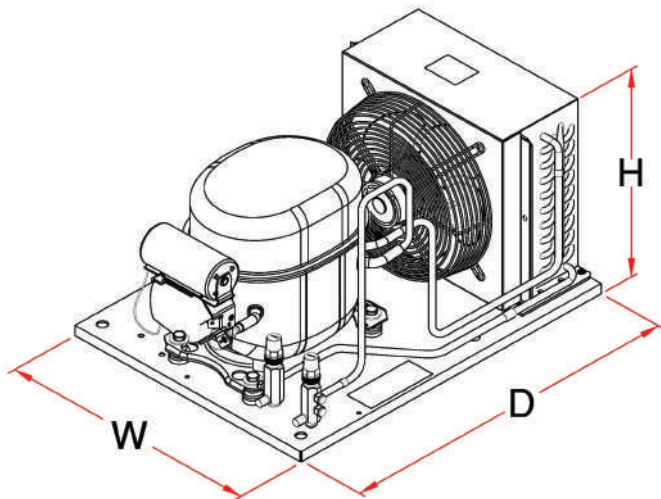
Cooling Capacity (Watt)																
Model	Power	Disp.	ASHRAE 46 / Evaporating Temperature										Motor Type	Start Cap.	Run Cap.	Height "A"
			-10°C	-5°C	0°C	5°C	+7.2°C				10°C	+15°C				
	(HP)	(cc)					Watt	BTU	Input	EER				(µF/VAC)	(µF/VAC)	(mm)
220-240V/50Hz / 1 Ph.																
AW5513GK	1-1/2	30.50	1376	1810	2390	3040	3380	11533	1317	8.76	3860	4861	PSC	—	25/440	289
AW5515GK	1-1/2	32.70	1590	2072	2650	3370	3800	12966	1483	8.74	4400	5655	PSC	—	30/440	289
AW5517GK	1-3/4	35.60	2020	2545	3120	3850	4170	14228	1626	8.75	4800	6163	PSC	—	30/440	289
AW5518GK	1-3/4	37.50	1965	2600	3250	4100	4526	15443	1646	9.38	5200	6680	PSC	—	35/440	289
AW5519GK	2	39.60	2143	2843	3632	4500	4952	16896	1808	9.35	5750	7460	PSC	—	35/440	289
AW5520GK	2	43.10	2193	2889	3750	4800	5260	17947	1983	9.05	6100	7910	PSC	—	45/440	324
AW5525GK	2-1/2	48.40	2765	3610	4600	5880	6527	22270	2265	9.83	7500	9350	PSC	—	35/440	324
AW5527GK	2-1/2	50.60	2929	3780	4820	6000	6598	22512	2403	9.37	7580	9972	PSC	—	50/440	324
AW5530GK	2-3/4	53.50	3576	4400	5300	6400	7033	23997	2430	9.88	8100	10173	PSC	—	50/440	324
380-420V/50Hz, 460V/60Hz / 3 Ph.																
AW5519G-9	1-1/2	39.60	1913	2543	3285	4160	4602	15702	1536	10.22	5200	6359	3 Ph.	—	—	324
			2311	3054	3925	4985	5539	18899	1854	10.19	6400	8026				
AW5524G-9	2	43.10	2639	3408	4260	5280	5800	19790	1918	10.32	6500	7863	3 Ph.	—	—	324
			3120	4051	5100	6300	6908	23570	2278	10.35	7730	9326				
AW5528G-9	2-1/3	48.40	3049	3994	5053	6210	6800	23202	2230	10.40	7600	9042	3 Ph.	—	—	324
			3679	4834	6133	7580	8270	28217	2670	10.57	9260	10945				
AW5532G-9	2-5/8	53.50	3564	4504	5582	6770	7440	25385	2520	10.07	8300	9911	3 Ph.	—	—	324
			4295	5469	6789	8300	9086	31001	3030	10.23	10250	12375				
KA5560GXG	5	100.00	6600	8584	11044	14010	15534	53002	4736	11.19	17800	22026	3 Ph.	—	—	399
			6706	9123	11881	15250	16999	58001	5466	10.61	19400	23831				
LA5590GXG	7-1/2	174.00	10269	13240	16524	20250	21980	74996	7580	9.89	24600	29085	3 Ph.	—	—	438
			10556	14600	19040	24100	26378	90002	9090	9.90	29700	35952				
LA5612GXG	10	211.00	14259	17630	21523	26000	28430	97003	9800	9.90	32000	38309	3 Ph.	—	—	438
			17624	22090	27015	32500	35170	120000	12120	9.90	38800	45793				
208-230V/60Hz / 1 Ph.																
AW5519GK-2	1-2/3	39.60	1715	2535	3498	4632	5187	17698	1843	2.81	5960	7460	CSR	130-156/330	30/440	288
AW5524G-2	2	48.40	2450	3120	4051	5100	6475	22093	2200	2.94	7730	9326	PSC	161-193/330	40/440	324

CONDENSING UNIT

CONDENSING UNIT															
Model	App.	HP	Motor Type	Receiver Type	Nominal Capacity				Fan Motor		Fan Blade		Dimensions (mm.)		
					Watt		BTU/ Hr		Output	FLA.	Blade	Diameter inch (OD)	H	D	W
					50 Hz	60 Hz	50 Hz	60 Hz	Watt	Amps					
R134a															
CAE 2410YA	LBP	2/9	CSIR	LESS	270	-	921	-	13	0.32	5	9.05	279	470	330
CAE 2410YB	LBP	2/9	CSIR	WITH	270	-	921	-	13	0.32	5	9.05	279	470	330
CAE 2415YA	LBP	1/3	CSR	LESS	370	-	1262	-	13	0.32	5	9.05	279	470	330
CAE 2415YB	LBP	1/3	CSR	WITH	370	-	1262	-	13	0.32	5	9.05	279	470	330
CAE 4440YB-1	HBP	1/3	CSR	WITH	-	1174	-	4006	7	0.53	5	9.00	284	470	330
CAE 4459YB	HBP	1/2	CSR	WITH	1450	-	4947	-	28	0.60	5	9.00	336	435	550
CAE 7415YB	MBP	1/6	CSIR	WITH	369	-	1259	-	13	0.32	5	9.00	279	470	330
CAE 7423YB	MBP	1/4	CSIR	WITH	574	-	1958	-	13	0.32	5	9.00	279	470	330
CAE 7423YB-2	MBP	2/7	CSIR	WITH	-	670	-	2286	13	0.32	5	9.00	279	470	330
CAE 7430YB	MBP	1/3	CSR	WITH	745	-	2542	-	13	0.32	5	9.00	279	470	330
CAE 9437YB	MBP	2/5	CSR	WITH	920	-	3139	-	13	0.32	5	9.00	279	470	330
	HBP	1/2			1680		5732								
CAE 9437YB-1	CBP	3/7	CSR	WITH	-	986	-	3363	13	0.32	5	9.05	279	470	330
CWJ 9440YB-1	CBP	1/2	CSR	WITH	-	1180	-	4026	40	0.91	5	12.00	369	620	520
CAW 4515YB	MBP	2/3	CSR	WITH	1568	-	5350	-	28	0.60	5	11.80	422	550	860
	HBP	1			3526		12031								
CAW 4517YB	MBP	1	CSR	WITH	2150	-	7336	-	28	0.60	5	12.00	421	550	860
	HBP	1 2/9			4298		14665								
R404A/R507															
CAE 2420ZB	LBP	1/2	CSR	WITH	480	-	1638	-	13	0.32	5	7.87	279	470	330
					498		1699								
CAE 2425ZB-2	LBP	4/7	CSR	WITH	-	670	-	2286	13	0.32	5	9.05	279	470	330
CAE 4440ZB-1	HBP	3/8	CSR	WITH	-	1318	-	4500	13	0.32	5	9.05	279	470	330
CAE 9426ZB-1	MBP	1/4	CSR	WITH	-	740	-	2525	14	0.69	5	9.05	284	470	330
CBA 7440ZB-1	MBP	1/2	CSR	WITH	-	1108	-	3780	40	1.71	5	11.81	324	500	435
CCA 2432ZB-2	LBP	3/4	CSR	WITH	-	860	-	2934	40	0.91	5	11.81	336	550	435
CWJ 2440ZB	LBP	5/6	CSR	WITH	967	-	3299	-	28	0.60	5	11.80	336	550	435
CWJ 2440ZB-2	LBP	1	CSR	WITH	-	1145	-	3907	40	0.91	5	11.81	336	550	435
CWJ 2450ZB	LBP	1	CSR	WITH	1114	-	3800	-	28	0.60	5	11.80	336	550	435
CWJ 2450ZB-2	LBP	1 1/4	CSR	WITH	-	1290	-	4401	40	0.91	5	12.00	336	550	435
CWJ 2455ZA	LBP	1 1/6	CSR	LESS	1378	-	4702	-	28	0.60	5	10.00	336	550	435
CWJ 2455ZB	LBP	1 1/6	CSR	WITH	1378	-	4702	-	28	0.60	5	12.00	336	550	435
CWJ 9485ZB	MBP	1	CSR	WITH	2180	-	7438	-	41	0.37	5	11.80	336	550	435
	HBP	1			3790		12931								
CWJ 9490ZB-2	MBP	1 1/7	CSR	WITH	-	2696	-	9200	40	0.91	5	11.80	336	550	435
	HBP	1 2/7				4490		15320							
CWJ 9513ZB	MBP	1 1/3	CSR	WITH	3157	-	10770	-	28	0.60	5	11.80	336	550	435
	HBP	1 1/2			5334		18200								
CWJ 9513ZB-2	MBP	1 5/9	CSR	WITH	-	3650	-	12454	40	0.91	5	12.00	319	500	435
	HBP	1 7/9				6256		21345							
CAW 2450ZB	LBP	1	CSR	WITH	1244	-	4245	-	28	0.60	5	11.80	336	500	435
CAW 2462ZB	LBP	1 1/3	CSR	WITH	1525	-	5203	-	28	0.60	5	11.80	422	550	860
CAW 2464ZB	LBP	1 1/3	CSR	WITH	1580	-	5391	-	28	0.60	5	11.80	422	550	860
CAW 2464ZB-2	LBP	1 2/3	CSR	WITH	-	1938	-	6612	40	0.91	5	11.80	337	500	635
CAW 2495ZB	LBP	2	CSR	WITH	2322	-	7923	-	28	0.60	5	11.80	396	550	860
CAW 2495ZB-9	LBP	2	3 Ph.	WITH	2393	2544	8165	8680	28	0.60	5	11.80	421	550	860
CAW 2510ZB-2	LBP	2 3/4	CSR	WITH	-	2946	-	10052	42	0.96	5	12.00	421	550	860
CAW 2510ZB-9	LBP	2 1/2	3 Ph.	WITH	2697	2899	9202	9831	28	0.60	5	12.00	421	550	860
CAW 2512ZXG	LBP	3	3 Ph.	WITH	3282	3722	11198	12699	28	0.60	5	12.00	336	550	860

CONDENSING UNIT

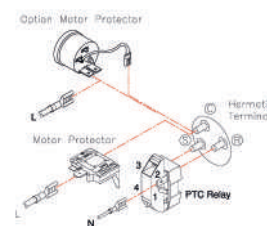
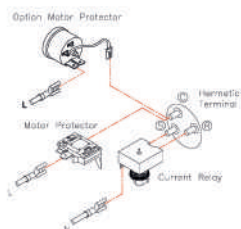
Model	App.	HP	Motor Type	Receiver Type	Nominal Capacity				Fan Motor		Fan Blade		Dimensions (mm.)			
					Watt		BTU/ Hr		Output	FLA.	Blade	Diameter inch (OD)	H	D	W	
					50 Hz	60 Hz	50 Hz	60 Hz	Watt	Amps						
R22																
CAE 4474EB	HBP	1/3	CSR	WITH	1800	-	4142	-	28	0.60	5	11.80	336	500	435	
CAE 7422EB	MBP	1/4	CSIR	WITH	550	-	1877	-	7	0.22	5	9.05	279	470	330	
CAE 7426EB	MBP	1/4	CSIR	WITH	640	-	2184	-	13	0.32	5	9.00	279	470	330	
CAE 7435EA	MBP	3/8	CSR	LESS	870	-	2968	-	7	0.32	5	9.00	279	470	330	
CAE 7440EB	MBP	3/7	CSR	WITH	1010	-	3446	-	13	0.32	5	9.00	284	470	330	
CAW 5524EB-9	HBP	1 2/3	3 Ph.	WITH	5802	6909	19795	23572	28	0.60	5	11.80	421	550	860	
CAW 5524EC	HBP	1 3/4	PSC	WITH	6140	-	20950	-	28	0.60	5	10.00	336	550	435	
CAW 5528EB-9	HBP	2	3 Ph.	WITH	6800	8270	23202	28217	28	0.60	5	11.80	421	550	860	
CAW 5530EC	HBP	2	PSC	WITH	7327	-	25000	-	28	0.60	5	12.00	421	550	860	
R407C																
CWJ 9470GB	CBP	5/7	CSR	WITH	1700	-	5800	-	28	0.60	5	11.80	369	620	520	
CWJ 9485GB	CBP	1	CSR	WITH	2140	-	7302	-	41	0.37	5	11.80	446	620	520	
CAW 4524GB	MBP	1 1/3	CSR	WITH	3116	-	10632	-	28	0.60	5	11.80	422	550	860	
	HBP	1 3/4			6140	-	20950									
CAW 4532GB	MBP	1 3/4	CSR	WITH	4050	-	13819	-	28	0.60	5	11.80	396	550	860	
	HBP	2 1/4			7870	-	26852									
CCA 7457GB	MBP	3/4	CSR	WITH	1337	-	4562	-	28	0.60	5	11.81	336	500	435	
CWJ 9485GB	CBP	1 1/4	CSR	WITH	2140	-	7302	-	28	0.60	5	11.80	445	620	520	
CWJ 9510GB	CBP	1 1/2	CSR	WITH	2460	-	8394	-	28	0.60	5	11.80	336	550	435	



MOTOR TYPE / WIRING DIAGRAM

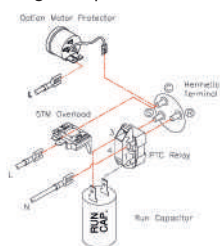
RSIR: Resistance Start Induction Run

The motors have a normal starting torque and are designed for completely self-equalizing capillary tube.



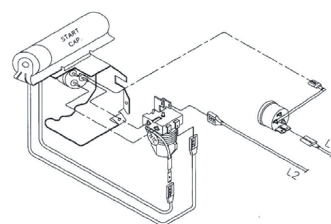
RSCR: Resistance Start Capacitor Run

The motors have a PTC starting and run capacitor. Their functioning is similar to the PSC motor. These compressors have a normal starting torque



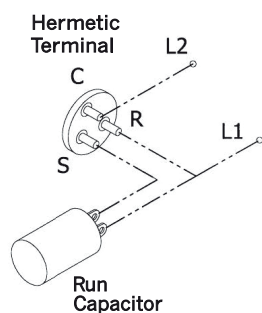
CSIR: Capacitor Start Induction Run

The motors have a high starting torque, using an electrolytic starting capacitor. Recommended for application with capillary tube or expansion value system.



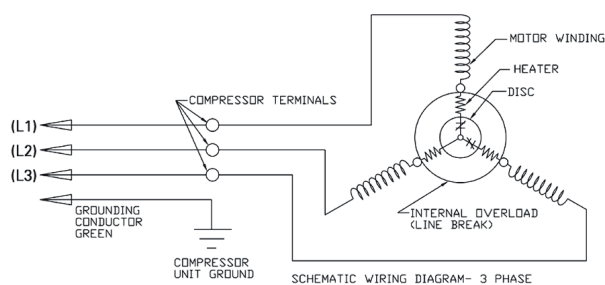
PSC: Permanent Split Capacitor

A run capacitor in series with the start winding produces a higher efficiency in comparison to a RSIR motor. They a normal starting torque and are designed for capillary tube control device, with equalized pressures.



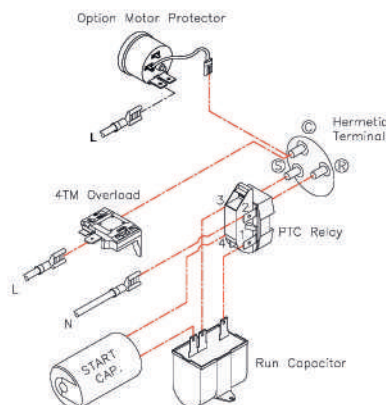
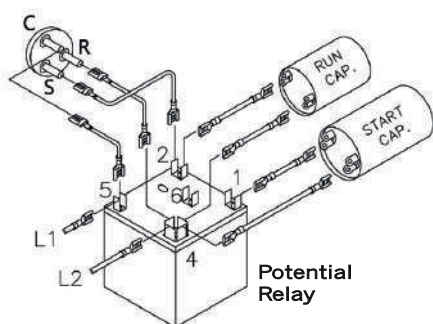
3 Phase Motor

Excellent starting torque, a wide operating voltage range, no ancillary starting devices (relay, capacitor), reduced starting load on any individual phase and minimal impact on nearby lighting, etc.

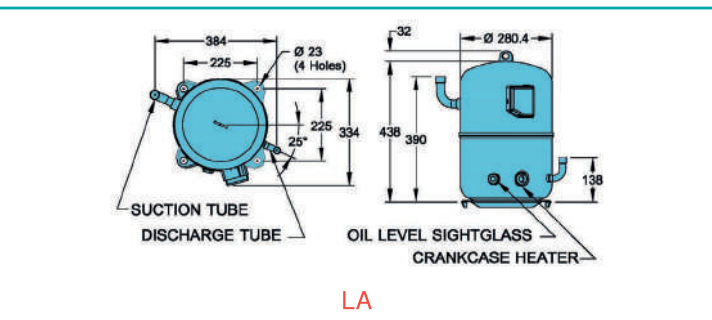
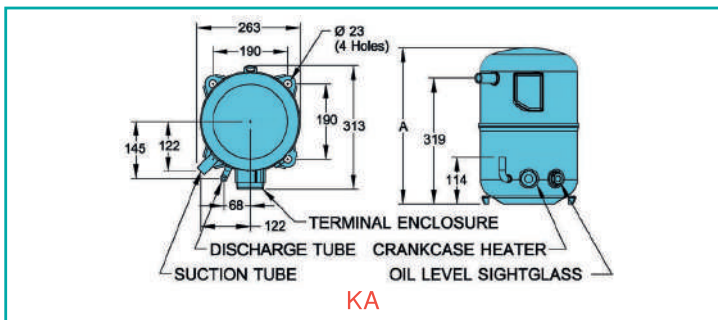
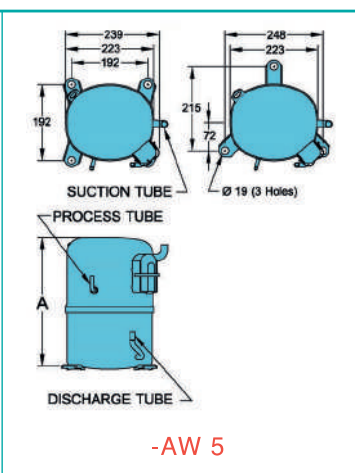
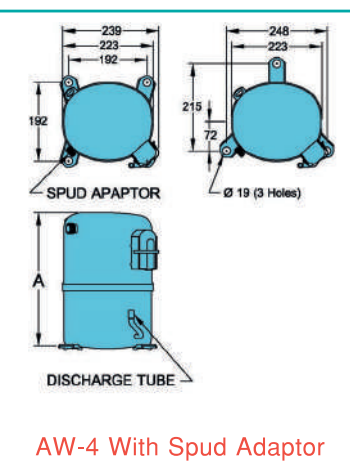
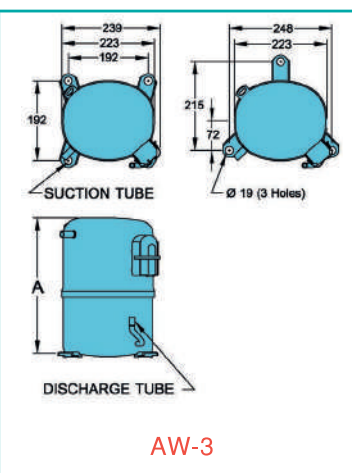
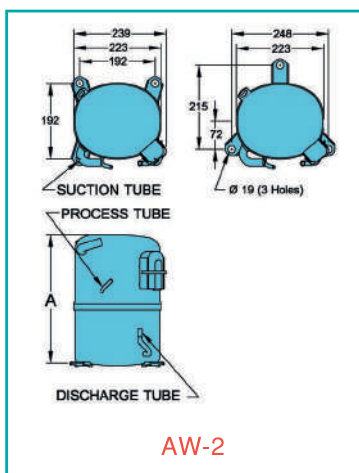
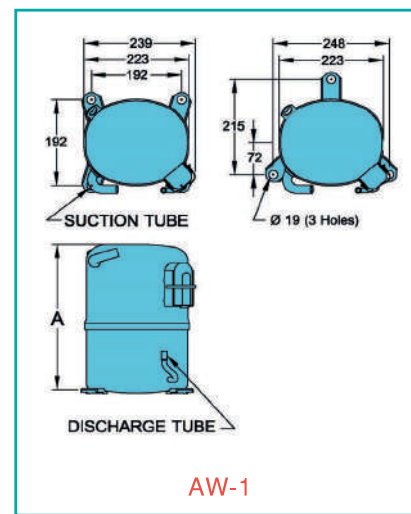
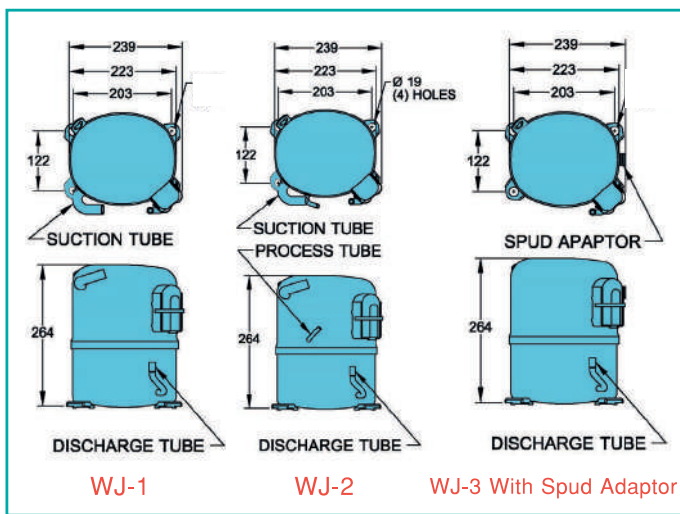
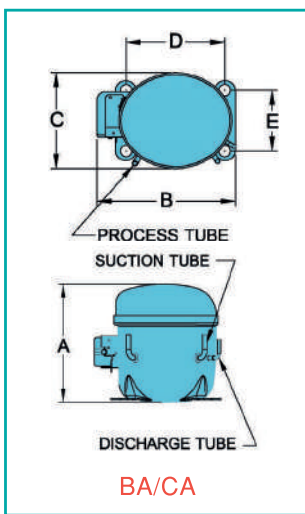
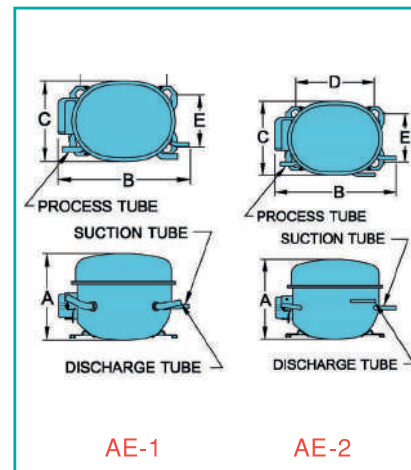
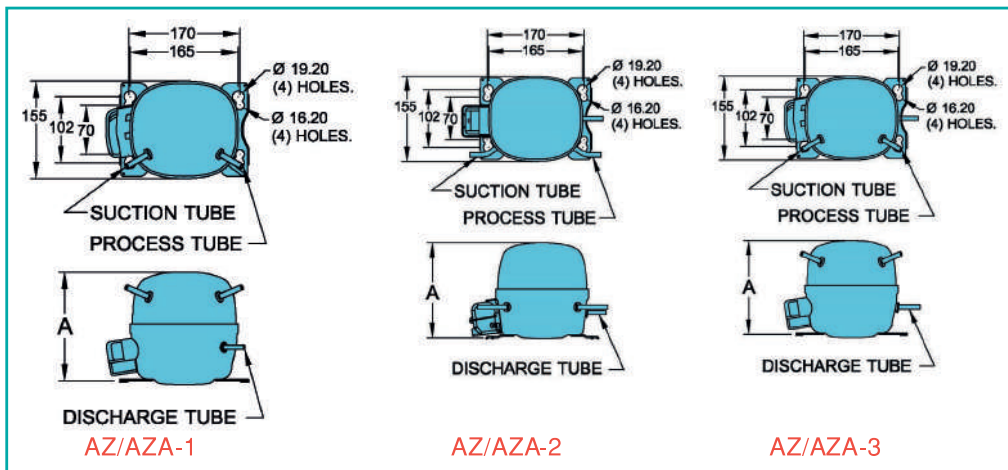


CSR: Capacitor Start Capacitor Run

This motor arrangement uses a start capacitor added to a PSC circuit. The high starting torque is suitable for unequaled systems with capillary tube or expansion valve, maintaining the same efficiency of a PSC motor.



GENERAL DIMENSIONS (mm.)

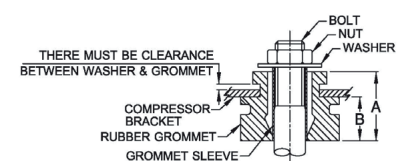


ELECTRICAL TERMINAL BOX

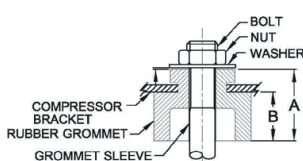
Rating Conditions (ASHRAE-T) for All Series

	LBP	MBP/CBP	HBP/AC
- Evaporating Temp.	-10°F / -23.3°C	20°F / -6.7°C	45°F / 7.2°C
- Condensing Temp.	130°F / 54.4°C	130°F / 54.4°C	130°F / 54.4°C
- Return Gas Temp.	90°F / 32°C	95°F / 35°C	95°F / 35°C
- Liquid entering Temp.	90°F / 32°C	115°F / 46°C	115°F / 46°C
- Room Ambient	90°F / 32°C	95°F / 35°C	95°F / 35°C
- Application Range	-34 to -12°C (-29 to 10°F)	-23 to 12.7°C (-9.4 to 55°F)	-6.7 to 12.7°C (20 to 55°F)

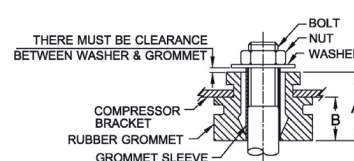
Compressor Mounting System



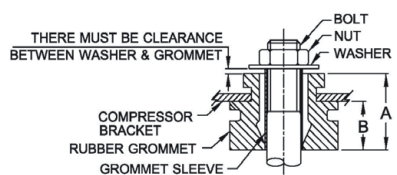
Type A



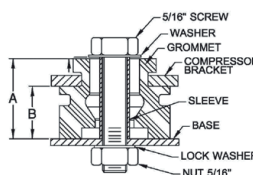
Type C



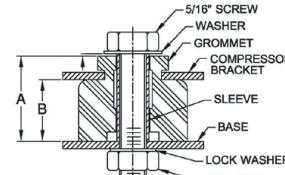
Type D



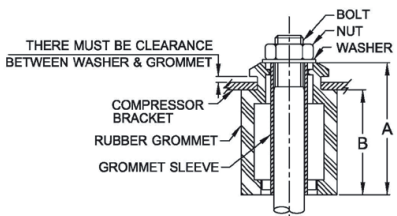
Type E



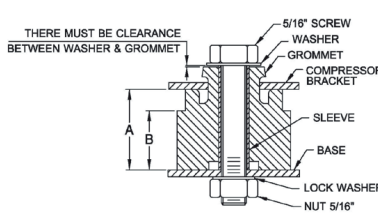
Type F



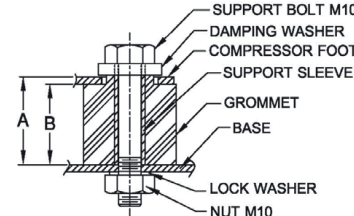
Type G



Type H



Type I



Type J

Type	High "A" (mm.)	High "B" (mm.)
A	17.5	9.5
C	22	15
D	21.8	13.9
E	19.05	11.12
F	23.02	15.08
G	28.9	20.7
H	37	29
I	36.5	28.5
J	39	35

Models	Power (HP)	A pp.	Disp (cc)	Cooling (w)				COP (w/w)				Motor type	Cooling Type	Start Cap		Run Cap		H1 (mm)
				Evap -23.3 °C		Evap -6.7 °C		Evap -23.3 °C		Evap -6.7 °C				mF	vac	mF	vac	
				50 Hz	60 Hz	50 Hz	60 Hz	50 Hz	60 Hz	50 Hz	60 Hz							
100V/50Hz, 60Hz.																		
C-BHR175M0*	1/5	LMBP	4.16	181	226	332	415	1.40	1.45	1.90	2.00	CSR	F/O	100	160	30	220	188
C-BHR200M0*	1/4	LMBP	5.20	226	282	436	545	1.40	1.45	1.90	2.00	CSR	F/O	100	160	30	220	188
C-BHR225M0*	1/3	LMBP	5.70	260	325	476	595	1.40	1.45	1.90	2.00	CSR	F/O	100	160	30	220	188
C-BHR250M0*	1/3	LMBP	6.08	278	347	508	635	1.40	1.45	1.90	2.00	CSR	F/O	100	160	30	220	188
C-BHR325M0*	1/2	LMBP	6.79	296	370	564	705	1.40	1.45	1.90	2.00	CSR	F/O	100	160	30	220	195
C-BHR350M0*	1/2	LMBP	7.24	328	410	592	740	1.45	1.50	1.90	2.00	CSR	F/O	100	160	30	220	195
C-BHR400M0*	1/2	LMBP	8.37	392	490	716	895	1.45	1.50	1.90	2.00	CSR	F/O	100	160	30	220	195
C-BHR425M0*	1/2	LMBP	9.03	424	530	740	925	1.45	1.50	1.80	1.85	CSR	F/O	100	160	40	220	198
C-BHR450M0*	1/2	LMBP	9.82	452	565	824	1030	1.45	1.50	1.80	1.85	CSR	F/O	100	160	40	220	198
110V/60Hz.																		
C-BHR175M1*	1/5	LMBP	4.16	**	226	**	415	**	1.45	**	2.00	CSR	F/O	100	160	30	220	188
C-BHR200M1*	1/4	LMBP	5.20	**	282	**	545	**	1.45	**	2.00	CSR	F/O	100	160	30	220	188
C-BHR225M1*	1/3	LMBP	5.70	**	325	**	595	**	1.45	**	2.00	CSR	F/O	100	160	30	220	188
C-BHR250M1*	1/3	LMBP	6.08	**	347	**	635	**	1.45	**	2.00	CSR	F/O	100	160	30	220	188
C-BHR325M1*	1/2	LMBP	6.79	**	370	**	705	**	1.45	**	2.00	CSR	F/O	100	160	30	220	195
C-BHR350M1*	1/2	LMBP	7.24	**	410	**	740	**	1.50	**	2.00	CSR	F/O	100	160	30	220	195
C-BHR400M1*	1/2	LMBP	8.37	**	490	**	895	**	1.50	**	2.00	CSR	F/O	100	160	30	220	195
C-BHR425M1*	1/2	LMBP	9.03	**	530	**	925	**	1.50	**	1.85	CSR	F/O	100	160	40	220	198
C-BHR450M1*	1/2	LMBP	9.82	**	565	**	1030	**	1.50	**	1.85	CSR	F/O	100	160	40	220	198
100V/50Hz , 115-127V/60Hz.																		
C-BHR175M2*	1/5	LMBP	4.16	181	226	332	415	1.45	1.60	2.00	2.10	CSR	F/O	100	160	16	220	188
C-BHR200M2*	1/4	LMBP	5.20	226	282	436	545	1.45	1.53	2.00	2.10	CSR	F/O	100	160	20	220	188
C-BHR225M2*	1/3	LMBP	5.70	260	325	476	595	1.45	1.57	2.00	2.10	CSR	F/O	125	160	20	220	188
C-BHR250M2*	1/3	LMBP	6.08	278	347	508	635	1.45	1.55	2.00	2.10	CSR	F/O	125	160	20	220	188
C-BHR325M2*	1/2	LMBP	6.79	296	370	564	705	1.45	1.55	2.00	2.10	CSR	F/O	125	160	25	220	195
C-BHR350M2*	1/2	LMBP	7.24	328	410	592	740	1.50	1.60	2.00	2.10	CSR	F/O	125	160	25	220	195
C-BHR400M2*	1/2	LMBP	8.37	392	490	716	895	1.50	1.60	2.00	2.10	CSR	F/O	125	160	30	220	195
C-BHR425M2*	1/2	LMBP	9.03	424	530	740	925	1.50	1.60	1.85	2.00	CSR	F/O	125	160	30	220	198
C-BHR450M2*	1/2	LMBP	9.82	452	565	824	1030	1.50	1.60	1.85	2.00	CSR	F/O	125	160	30	220	198
220-240V/50Hz.																		
C-BHR175M5*	1/5	LMBP	4.16	181	**	332	**	1.45	**	2.00	**	CSR	F/O	25	300	4-5	400	188
C-BHR200M5*	1/4	LMBP	5.20	226	**	436	**	1.45	**	2.00	**	CSR	F/O	25	300	4-5	400	188
C-BHR225M5*	1/3	LMBP	5.70	260	**	476	**	1.45	**	2.00	**	CSR	F/O	25	300	4-5	400	188
C-BHR250M5*	1/3	LMBP	6.08	278	**	508	**	1.45	**	2.00	**	CSR	F/O	25	300	4-5	400	188
C-BHR325M5*	1/2	LMBP	6.79	296	**	564	**	1.45	**	2.00	**	CSR	F/O	25	300	4-5	400	195
C-BHR350M5*	1/2	LMBP	7.24	328	**	592	**	1.50	**	2.00	**	CSR	F/O	25	300	4-5	400	195
C-BHR400M5*	1/2	LMBP	8.37	392	**	716	**	1.50	**	2.00	**	CSR	F/O	25	300	4-5	400	195
C-BHR425M5*	1/2	LMBP	9.03	424	**	740	**	1.50	**	1.85	**	CSR	F/O	25	300	4-5	400	198
C-BHR450M5*	1/2	LMBP	9.82	452	**	824	**	1.50	**	1.85	**	CSR	F/O	25	300	4-5	400	198
200-220V/50Hz., 220V/60Hz.																		
C-BHR175M6*	1/5	LMBP	4.16	181	226	332	415	1.45	1.60	2.00	2.10	CSR	F/O	25	300	4-5	400	188
C-BHR200M6*	1/4	LMBP	5.20	226	282	436	545	1.45	1.53	2.00	2.10	CSR	F/O	25	300	4-5	400	188
C-BHR225M6*	1/3	LMBP	5.70	260	325	476	595	1.45	1.57	2.00	2.10	CSR	F/O	25	300	4-5	400	188
C-BHR250M6*	1/3	LMBP	6.08	278	347	508	635	1.45	1.55	2.00	2.10	CSR	F/O	25	300	4-5	400	188
C-BHR325M6*	1/2	LMBP	6.79	296	370	564	705	1.45	1.55	2.00	2.10	CSR	F/O	25	300	4-5	400	195
C-BHR350M6*	1/2	LMBP	7.24	328	410	592	740	1.50	1.60	2.00	2.10	CSR	F/O	25	300	4-5	400	195
C-BHR400M6*	1/2	LMBP	8.37	392	490	716	895	1.50	1.60	2.00	2.10	CSR	F/O	25	300	4-5	400	195
C-BHR425M6*	1/2	LMBP	9.03	424	530	740	925	1.50	1.60	1.85	2.00	CSR	F/O	25	300	4-5	400	195
C-BHR450M6*	1/2	LMBP	9.82	452	565	824	1030	1.50	1.60	1.85	2.00	CSR	F/O	25	300	4-5	400	195

R600a LBP

C-QH Series (Standard Performance)

Models	Power (HP)	App.	Disp. (cc)	Cooling (w)		Cooling (Btu)		COP (w/w)		EER (Btu/w)		Motor type	Start Cap		Run Cap		H1 (mm)	
				50 Hz	60 Hz	50 Hz	60 Hz	50 Hz	60 Hz	50 Hz	60 Hz		mF	vac	mF	vac		
100V/50Hz, 60Hz.																		
C-QH35L0*	1/22	LBP	2.45	41	48	139	162	1.28	1.30	4.36	4.43	RSCR	N	**	**	3-12	200	160
C-QH40L0*	1/19	LBP	2.77	46	54	157	183	1.30	1.30	4.43	4.43	RSCR	N	**	**	3-12	200	160
C-QH50L0*	1/15	LBP	3.58	59	69	203	237	1.30	1.31	4.43	4.47	RSCR	N	**	**	3-12	200	170
C-QH60L0*	1/12	LBP	3.92	65	76	222	260	1.33	1.31	4.54	4.47	RSCR	N	**	**	3-12	200	170
C-QH75L0*	1/10	LBP	4.36	72	85	247	289	1.33	1.31	4.54	4.47	RSCR	N	**	**	3-12	200	170
C-QH95L0	1/8	LBP	6.00	103	123	323	418	1.54	1.55	5.25	5.29	RSCR	N	**	**	3-12	200	170
110V/60Hz.																		
C-QH35L1*	1/22	LBP	2.45	**	48	**	162	**	1.30	**	4.43	RSCR	N	**	**	3-12	200	160
C-QH40L1*	1/19	LBP	2.77	**	54	**	183	**	1.30	**	4.43	RSCR	N	**	**	3-12	200	160
C-QH50L1*	1/15	LBP	3.58	**	69	**	237	**	1.31	**	4.47	RSCR	N	**	**	3-12	200	170
C-QH60L1*	1/12	LBP	3.92	**	76	**	260	**	1.31	**	4.47	RSCR	N	**	**	3-12	200	170
C-QH75L1*	1/10	LBP	4.36	**	85	**	289	**	1.31	**	4.47	RSCR	N	**	**	3-12	200	170
C-QH95L1*	1/8	LBP	6.00	**	123	**	418	**	1.55	**	5.29	RSCR	N	**	**	3-12	200	170
100V/50Hz., 115-127V/60Hz.																		
C-QH35L2*	1/22	LBP	2.45	41	48	139	162	1.28	1.30	4.36	4.43	RSCR	N	**	**	3-12	200	160
C-QH40L2*	1/19	LBP	2.77	46	54	157	183	1.30	1.30	4.43	4.43	RSCR	N	**	**	3-12	200	160
C-QH50L2*	1/15	LBP	3.58	59	69	203	237	1.30	1.31	4.43	4.47	RSCR	N	**	**	3-12	200	170
C-QH60L2*	1/12	LBP	3.92	65	76	222	260	1.33	1.31	4.54	4.47	RSCR	N	**	**	3-12	200	170
C-QH75L2*	1/10	LBP	4.36	72	85	247	289	1.33	1.31	4.54	4.47	RSCR	N	**	**	3-12	200	170
C-QH95L2*	1/8	LBP	6.00	103	123	323	418	1.54	1.55	5.25	5.29	RSCR	N	**	**	3-12	200	170
220-240V/50Hz.																		
C-QH35L5*	1/22	LBP	2.45	41	**	139	**	1.28	**	4.36	**	RSCR	N	**	**	3-5	350	160
C-QH40L5*	1/19	LBP	2.77	46	**	157	**	1.30	**	4.43	**	RSCR	N	**	**	3-5	350	160
C-QH50L5*	1/15	LBP	3.58	59	**	203	**	1.30	**	4.43	**	RSCR	N	**	**	3-5	350	170
C-QH60L5*	1/12	LBP	3.92	65	**	222	**	1.33	**	4.54	**	RSCR	N	**	**	3-5	350	170
C-QH75L5*	1/10	LBP	4.36	72	**	247	**	1.33	**	4.54	**	RSCR	N	**	**	3-5	350	170
C-QH95L5*	1/8	LBP	6.00	103	**	323	**	1.54	**	5.25	**	RSCR	N	**	**	3-5	200	170
200-220V/50Hz., 220V/60Hz.																		
C-QH35L6*	1/22	LBP	2.45	41	48	139	162	1.28	1.30	4.36	4.43	RSCR	N	**	**	3-5	350	160
C-QH40L6*	1/19	LBP	2.77	46	54	157	183	1.30	1.30	4.43	4.43	RSCR	N	**	**	3-5	350	160
C-QH50L6*	1/15	LBP	3.58	59	69	203	237	1.30	1.31	4.43	4.47	RSCR	N	**	**	3-5	350	170
C-QH60L6*	1/12	LBP	3.92	65	76	222	260	1.33	1.31	4.54	4.47	RSCR	N	**	**	3-5	350	170
C-QH75L6*	1/10	LBP	4.36	72	85	247	289	1.33	1.31	4.54	4.47	RSCR	N	**	**	3-5	350	170
C-QH95L6*	1/8	LBP	6.00	103	123	323	418	1.54	1.55	5.25	5.29	RSCR	N	**	**	3-5	200	170

R600a LBP

C-BH Series (High Performance)

Models	Power (HP)	App.	Disp. (cc)	Cooling (w)		Cooling (Btu)		COP (w/w)		EER (Btu/w)		Motor type	Start Cap		Run Cap		H1 (mm)	
				50 Hz	60 Hz	50 Hz	60 Hz	50 Hz	60 Hz	50 Hz	60 Hz		mF	vac	mF	vac		
100V/50Hz, 60Hz.																		
C-BH90L0*	1/8	LBP	6.08	95	114	324	389	1.57	1.58	5.36	5.39	RSCR	N/F	**	**	10	180	178
C-BH100L0*	1/8	LBP	7.24	116	136	396	464	1.60	1.66	5.46	5.67	RSCR	N/F	**	**	10	180	188
C-BH110L0*	1/7	LBP	7.87	131	156	447	532	1.62	1.66	5.53	5.67	RSCR	N/F	**	**	10	180	188
C-BH130L0*	1/6	LBP	9.03	160	182	546	621	1.66	1.70	5.67	5.80	RSCR	N/F	**	**	10	180	200
C-BH140L0*	1/6	LBP	9.82	172	197	587	672	1.68	1.71	5.73	5.84	RSCR	N/F	**	**	10	180	200
C-BH160L0*	1/5	LBP	11.40	203	236	692	805	1.60	1.63	5.46	5.56	RSCR	N/F	**	**	10	180	200
110V/60Hz.																		
C-BH90L1*	1/8	LBP	6.08	**	114	**	389	**	1.58	**	5.39	RSCR	N/F	**	**	16	180	178
C-BH100L1*	1/8	LBP	7.24	**	137	**	468	**	1.66	**	5.67	RSCR	N/F	**	**	16	180	188
C-BH110L1*	1/7	LBP	7.87	**	156	**	532	**	1.66	**	5.67	RSCR	N/F	**	**	16	180	188
C-BH130L1*	1/6	LBP	9.03	**	182	**	621	**	1.70	**	5.80	RSCR	N/F	**	**	16	180	200
C-BH140L1*	1/6	LBP	9.82	**	197	**	672	**	1.71	**	5.84	RSCR	N/F	**	**	16	180	200
C-BH160L1*	1/5	LBP	11.40	**	236	**	805	**	1.65	**	5.63	RSCR	N/F	**	**	10	180	200
100V/50Hz., 115-127V/60Hz.																		
C-BH90L2*	1/8	LBP	6.08	**	114	**	389	**	1.58	**	5.39	RSCR	N/F	**	**	10	200	178
C-BH100L2*	1/8	LBP	7.24	**	137	**	468	**	1.66	**	5.67	RSCR	N/F	**	**	10	200	188
C-BH110L2*	1/7	LBP	7.87	**	156	**	532	**	1.66	**	5.67	RSCR	N/F	**	**	10	200	188
C-BH130L2*	1/6	LBP	9.03	**	182	**	621	**	1.70	**	5.80	RSCR	N/F	**	**	10	200	200
C-BH140L2*	1/6	LBP	9.82	**	197	**	672	**	1.71	**	5.84	RSCR	N/F	**	**	10	200	200
C-BH160L2*	1/5	LBP	11.40	**	236	**	805	**	1.65	**	5.63	RSCR	N/F	**	**	10	180	200

C-BH Series (High Performance)

R600a LBP

Models	Power (HP)	App.	Disp. (cc)	Cooling (w)		Cooling (Btu)		COP (w/w)		EER (Btu/w)		Motor type	Cooling		Start Cap		Run Cap		H1 (mm)
				50 Hz	60 Hz	50 Hz	60 Hz	50 Hz	60 Hz	50 Hz	60 Hz		Type	mF	vac	mF	vac		
220-240V/50Hz.																			
C-BH90L5*	1/8	LBP	6.08	95	**	324	**	1.57	**	5.36	**	RSCR	N/F	**	**	3-5	350	178	
C-BH100L5*	1/8	LBP	7.24	116	**	396	**	1.60	**	5.46	**	RSCR	N/F	**	**	3-5	350	188	
C-BH110L5*	1/7	LBP	7.87	131	**	447	**	1.62	**	5.53	**	RSCR	N/F	**	**	3-5	350	188	
C-BH130L5*	1/6	LBP	9.03	160	**	546	**	1.66	**	5.67	**	RSCR	N/F	**	**	3-5	350	200	
C-BH140L5*	1/6	LBP	9.82	172	**	587	**	1.68	**	5.73	**	RSCR	N/F	**	**	3-5	350	200	
C-BH160L5*	1/5	LBP	11.40	203	**	692	**	1.60	**	5.46	**	RSCR	N/F	**	**	3-5	180	200	
200-220V/50Hz., 220V/60Hz.																			
C-BH90L6*	1/8	LBP	6.08	95	114	324	389	1.57	1.58	5.36	5.39	RSCR	N/F	**	**	3-5	350	178	
C-BH100L6*	1/8	LBP	7.24	116	137	396	468	1.60	1.66	5.46	5.67	RSCR	N/F	**	**	3-5	350	188	
C-BH110L6*	1/7	LBP	7.87	131	156	447	532	1.62	1.66	5.53	5.67	RSCR	N/F	**	**	3-5	350	188	
C-BH130L6*	1/6	LBP	9.03	160	182	546	621	1.66	1.70	5.67	5.80	RSCR	N/F	**	**	3-5	350	200	
C-BH140L6*	1/6	LBP	9.82	172	197	587	672	1.68	1.71	5.73	5.84	RSCR	N/F	**	**	3-5	350	200	
C-BH160L6*	1/5	LBP	11.40	203	236	692	805	1.60	1.63	5.46	5.56	RSCR	N/F	**	**	3-5	180	200	

C-BR Series

R404A LBP

Models	Power (HP)	App.	Disp. (cc)	Cooling (w)		Cooling (Btu)		COP (w/w)		EER (Btu/w)		Motor type	Cooling		Start Cap		Run Cap		H1 (mm)
				50 Hz	60 Hz	50 Hz	60 Hz	50 Hz	60 Hz	50 Hz	60 Hz		Type	mF	vac	mF	vac		
220-240V/50Hz.																			
C-BR225L5*	1/3	LBP	5.20	262	**	894	**	1.21	**	4.13	**	CSR	F/O	40	300	6	400	188	
C-BR250L5*	1/3	LBP	5.70	303	**	1034	**	1.26	**	4.30	**	CSR	F/O	40	300	6	400	195	
C-BR300L5*	1/2	LBP	6.08	333	**	1136	**	1.34	**	4.57	**	CSR	F/O	40	300	6	400	195	
C-BR350L5*	1/2	LBP	6.79	384	**	1310	**	1.34	**	4.57	**	CSR	F/O	40	300	6	400	195	
C-BR400L5*	1/2	LBP	7.24	409	**	1396	**	1.38	**	4.71	**	CSR	F/O	40	300	6	400	195	
C-BR425L5*	1/2	LBP	8.37	480	**	1638	**	1.45	**	4.95	**	CSR	F/O	40	300	6	400	195	
C-BR450L5*	1/2	LBP	9.03	518	**	1767	**	1.45	**	4.95	**	CSR	F/O	40	300	6	400	198	
C-BR475L5*	1/2	LBP	9.82	563	**	1922	**	1.45	**	4.95	**	CSR	F/O	40	300	6	400	198	
200-220V/50Hz., 220V/60Hz.																			
C-BR225L6*	1/3	LBP	5.20	262	293	894	1000	1.21	1.24	4.13	4.23	CSR	F/O	40	300	6	400	188	
C-BR250L6*	1/3	LBP	5.70	303	343	1034	1171	1.26	1.28	4.30	4.37	CSR	F/O	40	300	6	400	195	
C-BR300L6*	1/2	LBP	6.08	333	394	1136	1345	1.34	1.36	4.57	4.64	CSR	F/O	40	300	6	400	195	
C-BR350L6*	1/2	LBP	6.79	384	449	1310	1532	1.34	1.36	4.57	4.64	CSR	F/O	40	300	6	400	195	
C-BR400L6*	1/2	LBP	7.24	409	470	1396	1604	1.37	1.41	4.68	4.81	CSR	F/O	40	300	6	400	195	
C-BR425L6*	1/2	LBP	8.37	479	555	1635	1894	1.44	1.48	4.91	5.05	CSR	F/O	40	300	6	400	195	
C-BR450L6*	1/2	LBP	9.03	518	601	1767	2050	1.45	1.48	4.95	5.05	CSR	F/O	40	300	6	400	198	
C-BR475L6*	1/2	LBP	9.82	563	653	1922	2229	1.45	1.48	4.95	5.05	CSR	F/O	40	300	6	400	198	

C-BK Series (Standard Performance)

R448A LBP

Models	Power (HP)	App.	Disp. (cc)	Cooling (w)		Cooling (Btu)		COP (w/w)		EER (Btu/w)		Motor type	Cooling		Start Cap		Run Cap		H1 (mm)
				50 Hz	60 Hz	50 Hz	60 Hz	50 Hz	60 Hz	50 Hz	60 Hz		Type	mF	vac	mF	vac		
200V/50Hz, 60Hz.																			
C-BK225L0*	1/8	LBP	5.20	252	281	859	958	1.16	1.19	3.64	4.06	CSR	F/O	125-150	160	25	180	178	
C-BK250L0*	1/7	LBP	5.70	291	329	992	1122	1.21	1.23	3.80	4.19	CSR	F/O	125-150	160	25	180	178	
C-BK300L0*	1/6	LBP	6.08	320	378	1091	1289	1.29	1.30	4.05	4.43	CSR	F/O	125-150	160	25	180	188	
C-BK350L0*	1/6	LBP	6.65	369	431	1258	1470	1.29	1.31	4.05	4.47	CSR	F/O	125-150	160	25	180	188	
C-BK400L0*	1/5	LBP	7.24	393	451	1340	1538	1.33	1.35	4.18	4.60	CSR	F/O	125-150	160	25	180	188	
C-BK425L0*	1/5	LBP	8.37	461	533	1572	1818	1.39	1.42	4.36	4.84	CSR	F/O	125-150	160	25	180	195	
C-BK450L0*	1/4	LBP	9.03	497	577	1695	1968	1.39	1.42	4.36	4.84	CSR	F/O	125-150	160	25	180	195	
C-BK475L0*	1/3	LBP	9.82	540	627	1841	2138	1.39	1.42	4.36	4.84	CSR	F/O	125-150	160	25	180	198	

R1234yf LBP

Models	Power (HP)	App.	Disp. (cc)	Cooling (w)		Cooling (Btu)		COP (w/w)		EER (Btu/w)		Motor type	Cooling Type	Start Cap		Run Cap		H1 (mm)
				50 Hz	60 Hz	50 Hz	60 Hz	50 Hz	60 Hz	50 Hz	60 Hz			mF	vac	mF	vac	
100V/50Hz, 60Hz.																		
C-BX100L0*	1/8	LBP	4.50	108	144	368	491	1.35	1.40	4.60	4.77	CSR/RSCR	F/O	75	160	12	180	178
C-BX110L0*	1/7	LBP	5.20	145	173	494	590	1.36	1.47	4.64	5.01	CSR/RSCR	F/O	75	160	12	180	178
C-BX120L0*	1/6	LBP	5.70	156	188	532	641	1.36	1.49	4.64	5.08	CSR/RSCR	F/O	75	160	12	180	188
C-BX140L0*	1/6	LBP	6.08	173	205	590	699	1.53	1.57	5.22	5.35	CSR/RSCR	F/O	75	160	12	180	188
C-BX150L0*	1/5	LBP	6.65	187	226	638	771	1.52	1.58	5.18	5.39	CSR/RSCR	F/O	75	160	12	180	188
C-BX175L0*	1/5	LBP	7.24	211	250	720	853	1.47	1.52	5.01	5.18	CSR/RSCR	F/O	75	160	12	180	195
C-BX200L0*	1/4	LBP	8.37	245	294	835	1003	1.47	1.52	5.01	5.18	CSR/RSCR	F/O	75	160	12	180	195
C-BX225L0*	1/3	LBP	9.03	264	317	900	1081	1.49	1.54	5.08	5.25	CSR/RSCR	F/O	75	160	12	180	198
C-BX250L0*	1/3	LBP	9.82	287	345	979	1176	1.49	1.54	5.08	5.25	CSR/RSCR	F/O	75	160	12	180	198

R134a LBP

C-QE Series (High Performance)

Models	Power (HP)	App.	Disp. (cc)	Cooling (w)		Cooling (Btu)		COP (w/w)		EER (Btu/w)		Motor type	Cooling Type	Start Cap		Run Cap		H1 (mm)
				50 Hz	60 Hz	50 Hz	60 Hz	50 Hz	60 Hz	50 Hz	60 Hz			mF	vac	mF	vac	
100V/50Hz, 60Hz.																		
C-QE40L0*	1/20	LBP	1.79	48	57	164	193	1.15	1.20	3.92	4.09	RSCR	N	**	**	8-10	200	147
C-QE60L0*	1/13	LBP	2.13	57	67	194	229	1.20	1.22	4.09	4.16	RSCR	N	**	**	8-10	200	147
C-QE75L0*	1/10	LBP	2.45	66	78	245	293	1.32	1.33	4.50	4.44	RSCR	N	**	**	8-10	200	160
C-QE80L0*	1/10	LBP	2.77	75	89	256	302	1.35	1.37	4.60	4.67	RSCR	N	**	**	8-10	200	160
C-QE90L0*	1/8	LBP	2.92	79	93	269	318	1.35	1.37	4.60	4.67	RSCR	N	**	**	8-10	200	160
C-QE95L0*	1/8	LBP	3.28	89	105	303	358	1.38	1.39	4.71	4.61	RSCR	N	**	**	8-10	200	160
C-QE100L0*	1/7	LBP	3.58	97	114	331	390	1.41	1.42	4.81	4.84	RSCR	N	**	**	8-10	200	160
C-QE110L0*	1/7	LBP	3.92	106	125	361	427	1.43	1.44	4.88	4.91	RSCR	N	**	**	8-10	200	170
C-QE120L0*	1/6	LBP	4.36	118	139	402	475	1.43	1.44	4.88	4.91	RSCR	N	**	**	8-10	200	170
110V/60Hz.																		
C-QE40L1*	1/20	LBP	1.79	**	57	**	193	**	1.20	**	4.09	RSCR	N	**	**	8-10	200	147
C-QE60L1*	1/13	LBP	2.13	**	67	**	229	**	1.22	**	4.16	RSCR	N	**	**	8-10	200	147
C-QE75L1*	1/10	LBP	2.45	**	78	**	266	**	1.33	**	4.44	RSCR	N	**	**	8-10	200	160
C-QE80L1*	1/10	LBP	2.77	**	89	**	302	**	1.37	**	4.67	RSCR	N	**	**	8-10	200	160
C-QE90L1*	1/8	LBP	2.92	**	93	**	318	**	1.37	**	4.67	RSCR	N	**	**	8-10	200	160
C-QE95L1*	1/8	LBP	3.28	**	105.02	**	358	**	1.39	**	4.61	RSCR	N	**	**	8-10	200	160
C-QE100L1*	1/7	LBP	3.58	**	114	**	390	**	1.42	**	4.84	RSCR	N	**	**	8-10	200	160
C-QE110L1*	1/7	LBP	3.92	**	125	**	427	**	1.44	**	4.91	RSCR	N	**	**	8-10	200	170
C-QE120L1*	1/6	LBP	4.36	**	139	**	475	**	1.44	**	4.91	RSCR	N	**	**	8-10	200	170
100V/50Hz., 115-127V/60Hz.																		
C-QE40L2*	1/20	LBP	1.79	48	57	164	193	1.15	1.20	3.92	4.09	RSCR	N	**	**	8-10	200	147
C-QE60L2*	1/13	LBP	2.13	57	67	194	229	1.20	1.22	4.09	4.16	RSCR	N	**	**	8-10	200	147
C-QE75L2*	1/10	LBP	2.45	66	78	225	266	1.32	1.33	4.50	4.54	RSCR	N	**	**	8-10	200	160
C-QE80L2*	1/10	LBP	2.77	75	89	256	302	1.35	1.37	4.61	4.68	RSCR	N	**	**	8-10	200	160
C-QE90L2*	1/8	LBP	2.92	79	93	269	318	1.35	1.37	4.61	4.68	RSCR	N	**	**	8-10	200	160
C-QE95L2*	1/8	LBP	3.28	89	105.02	303	358	1.38	1.39	4.71	4.74	RSCR	N	**	**	8-10	200	160
C-QE100L2*	1/7	LBP	3.58	97	114	331	390	1.41	1.42	4.81	4.85	RSCR	N	**	**	8-10	200	160
C-QE110L2*	1/7	LBP	3.92	106	125	361	427	1.43	1.44	4.88	4.91	RSCR	N	**	**	8-10	200	170
C-QE120L2*	1/6	LBP	4.36	118	139	402	475	1.43	1.44	4.88	4.91	RSCR	N	**	**	8-10	200	170
220-240V/50Hz.																		
C-QE40L5*	1/20	LBP	1.79	48	**	164	**	1.15	**	3.92	**	RSCR	N	**	**	3-5	200	147
C-QE60L5*	1/13	LBP	2.13	57	**	194	**	1.20	**	4.09	**	RSCR	N	**	**	3-5	200	147
C-QE75L5*	1/10	LBP	2.45	66	**	225	**	1.32	**	4.50	**	RSCR	N	**	**	3-5	350	160
C-QE80L5*	1/10	LBP	2.77	75	**	256	**	1.35	**	4.61	**	RSCR	N	**	**	3-5	350	160
C-QE90L5*	1/8	LBP	2.92	79	**	269	**	1.35	**	4.61	**	RSCR	N	**	**	3-5	350	160
C-QE95L5*	1/8	LBP	3.28	89	**	303	**	1.38	**	4.71	**	RSCR	N	**	**	3-5	350	160
C-QE100L5*	1/7	LBP	3.58	97	**	331	**	1.41	**	4.81	**	RSCR	N	**	**	3-5	350	160
C-QE110L5*	1/7	LBP	3.92	106	**	361	**	1.43	**	4.88	**	RSCR	N	**	**	3-5	350	170
C-QE120L5*	1/6	LBP	4.36	118	**	402	**	1.43	**	4.88	**	RSCR	N	**	**	3-5	350	170

Models	Power (HP)	App.	Disp. (cc)	Cooling (w)		Cooling (Btu)		COP (w/w)		EER (Btu/w)		Motor type	Cooling Type	Start Cap		Run Cap		H1 (mm)
				50 Hz	60 Hz	50 Hz	60 Hz	50 Hz	60 Hz	50 Hz	60 Hz			mF	vac	mF	vac	
200-220V/50Hz., 220V/60Hz.																		
C-QE40L6*	1/20	LBP	1.79	48	57	164	193	1.15	1.20	3.92	4.09	RSCR	N	**	**	3-5	200	147
C-QE60L6*	1/13	LBP	2.13	57	67	194	229	1.20	1.22	4.09	4.16	RSCR	N	**	**	3-5	200	147
C-QE75L6*	1/10	LBP	2.45	66	78	225	266	1.32	1.33	4.50	4.54	RSCR	N	**	**	3-5	350	160
C-QE80L6*	1/10	LBP	2.77	75	89	256	302	1.35	1.37	4.61	4.68	RSCR	N	**	**	3-5	350	160
C-QE90L6*	1/8	LBP	2.92	79	93	269	318	1.35	1.37	4.61	4.68	RSCR	N	**	**	3-5	350	160
C-QE95L6*	1/8	LBP	3.28	89	105.02	303	358	1.38	1.39	4.71	4.74	RSCR	N	**	**	3-5	350	160
C-QE100L6*	1/7	LBP	3.58	97	114	331	390	1.41	1.42	4.81	4.85	RSCR	N	**	**	3-5	350	160
C-QE110L6*	1/7	LBP	3.92	106	125	361	427	1.43	1.44	4.88	4.91	RSCR	N	**	**	3-5	350	170
C-QE120L6*	1/6	LBP	4.36	118	139	402	475	1.43	1.44	4.88	4.91	RSCR	N	**	**	3-5	350	170

C-BE Series (Standard Performance)

R134a LBP

Models	Power (HP)	App.	Disp. (cc)	Cooling (w)		Cooling (Btu)		COP (w/w)		EER (Btu/w)		Motor type	Cooling Type	Start Cap		Run Cap		H1 (mm)
				50 Hz	60 Hz	50 Hz	60 Hz	50 Hz	60 Hz	50 Hz	60 Hz			mF	vac	mF	vac	
100V/50Hz, 60Hz.																		
C-BE100L0*	1/8	LBP	4.50	113	150	386	512	1.40	1.46	4.78	4.98	CSR/RSCR	N	75	160	12	180	178
C-BE110L0*	1/7	LBP	5.20	151	180	515	614	1.42	1.53	4.85	5.22	CSR/RSCR	N	75	160	12	180	178
C-BE120L0*	1/6	LBP	5.70	162	196	553	669	1.41	1.55	4.81	5.29	CSR/RSCR	N	75	160	12	180	188
C-BE140L0*	1/6	LBP	6.08	180	214	614	730	1.59	1.64	5.43	5.60	CSR/RSCR	N	75	160	12	180	188
C-BE150L0*	1/5	LBP	6.65	195	235	665	802	1.59	1.64	5.43	5.60	CSR/RSCR	N	75	160	12	180	188
C-BE175L0*	1/5	LBP	7.24	220	260	751	887	1.53	1.58	5.22	5.39	CSR/RSCR	F/O	75	160	12	180	195
C-BE200L0*	1/4	LBP	8.37	255	306	870	1044	1.53	1.58	5.22	5.39	CSR/RSCR	F/O	75	160	12	180	195
C-BE225L0*	1/3	LBP	9.03	275	330	939	1127	1.55	1.60	5.29	5.46	CSR/RSCR	F/O	75	160	12	180	198
C-BE250L0*	1/3	LBP	9.82	299	359	1021	1225	1.55	1.60	5.29	5.46	CSR/RSCR	F/O	75	160	12	180	198
110V/60Hz.																		
C-BE100L1*	1/8	LBP	4.50	**	150	**	512	**	1.46	**	4.98	CSR/RSCR	N	75	160	12	180	178
C-BE110L1*	1/7	LBP	5.20	**	180	**	614	**	1.53	**	5.22	CSR/RSCR	N	75	160	12	180	178
C-BE120L1*	1/6	LBP	5.70	**	196	**	669	**	1.55	**	5.29	CSR/RSCR	N	75	160	12	180	188
C-BE140L1*	1/6	LBP	6.08	**	214	**	730	**	1.64	**	5.60	CSR/RSCR	N	75	160	12	180	188
C-BE150L1*	1/5	LBP	6.65	**	235	**	802	**	1.64	**	5.60	CSR/RSCR	N	75	160	12	180	188
C-BE175L1*	1/5	LBP	7.24	**	260	**	887	**	1.58	**	5.39	CSR/RSCR	F/O	75	160	12	180	195
C-BE200L1*	1/4	LBP	8.37	**	306	**	1044	**	1.58	**	5.39	CSR/RSCR	F/O	75	160	12	180	195
C-BE225L1*	1/3	LBP	9.03	**	330	**	1127	**	1.60	**	5.46	CSR/RSCR	F/O	75	160	12	180	198
C-BE250L1*	1/3	LBP	9.82	**	359	**	1225	**	1.60	**	5.46	CSR/RSCR	F/O	75	160	12	180	198
100V/50Hz., 115-127V/60Hz.																		
C-BE100L2*	1/8	LBP	4.50	113	150	386	512	1.40	1.46	4.78	4.98	CSR/RSCR	N	75	160	14	220	178
C-BE110L2*	1/7	LBP	5.20	151	180	515	614	1.42	1.53	4.85	5.22	CSR/RSCR	N	75	160	14	220	178
C-BE120L2*	1/6	LBP	5.70	162	196	553	669	1.41	1.55	4.81	5.29	CSR/RSCR	N	75	160	14	220	188
C-BE140L2*	1/6	LBP	6.08	180	214	614	730	1.59	1.64	5.43	5.60	CSR/RSCR	N	75	160	14	220	188
C-BE150L2*	1/5	LBP	6.65	195	235	665	802	1.59	1.64	5.43	5.60	CSR/RSCR	N	75	160	14	220	188
C-BE175L2*	1/5	LBP	7.24	220	260	751	887	1.53	1.58	5.22	5.39	CSR/RSCR	F/O	75	160	14	220	195
C-BE200L2*	1/4	LBP	8.37	255	306	870	1044	1.53	1.58	5.22	5.39	CSR/RSCR	F/O	75	160	14	220	195
C-BE225L2*	1/3	LBP	9.03	275	330	939	1127	1.55	1.60	5.29	5.46	CSR/RSCR	F/O	75	160	14	220	198
C-BE250L2*	1/3	LBP	9.82	299	359	1021	1225	1.55	1.60	5.29	5.46	CSR/RSCR	F/O	75	160	14	220	198
220-240V/50Hz.																		
C-BE100L5*	1/8	LBP	4.50	113	**	386	**	1.40	**	4.78	**	CSR/RSCR	N	20	300	3.5-5	350	178
C-BE110L5*	1/7	LBP	5.20	151	**	515	**	1.42	**	4.85	**	CSR/RSCR	N	20	300	3.5-5	350	178
C-BE120L5*	1/6	LBP	5.70	162	**	553	**	1.41	**	4.81	**	CSR/RSCR	N	20	300	3.5-5	350	188
C-BE140L5*	1/6	LBP	6.08	180	**	614	**	1.59	**	5.43	**	CSR/RSCR	N	20	300	3.5-5	350	188
C-BE150L5*	1/5	LBP	6.65	195	**	665	**	1.59	**	5.43	**	CSR/RSCR	N	20	300	3.5-5	350	188
C-BE175L5*	1/5	LBP	7.24	220	**	751	**	1.53	**	5.22	**	CSR/RSCR	F/O	20	300	3.5-5	350	195
C-BE200L5*	1/4	LBP	8.37	255	**	870	**	1.53	**	5.22	**	CSR/RSCR	F/O	20	300	3.5-5	350	195
C-BE225L5*	1/3	LBP	9.03	275	**	939	**	1.55	**	5.29	**	CSR/RSCR	F/O	20	300	3.5-5	350	198
C-BE250L5*	1/3	LBP	9.82	299	**	1021	**	1.55	**	5.29	**	CSR/RSCR	F/O	20	300	3.5-5	350	198

R134a LBP

C-BE Series (Standard Performance)

Models	Power (HP)	App.	Disp. (cc)	Cooling (w)		Cooling (Btu)		COP (w/w)		EER (Btu/w)		Motor type	Cooling Type	Start Cap		Run Cap		H1 (mm)
				50 Hz	60 Hz	50 Hz	60 Hz	50 Hz	60 Hz	50 Hz	60 Hz			mF	vac	mF	vac	
200-220V/50Hz., 220V/60Hz.																		
C-BE100L6*	1/8	LBP	4.50	113	150	386	512	1.40	1.46	4.78	4.98	CSR/RSCR	N	20	300	3.5-5	350	178
C-BE110L6*	1/7	LBP	5.20	151	180	515	614	1.42	1.53	4.85	5.22	CSR/RSCR	N	20	300	3.5-5	350	178
C-BE120L6*	1/6	LBP	5.70	162	196	553	669	1.41	1.55	4.81	5.29	CSR/RSCR	N	20	300	3.5-5	350	188
C-BE140L6*	1/6	LBP	6.08	180	214	614	730	1.59	1.64	5.43	5.60	CSR/RSCR	N	20	300	3.5-5	350	188
C-BE150L6*	1/5	LBP	6.65	195	235	665	802	1.59	1.64	5.43	5.60	CSR/RSCR	N	20	300	3.5-5	350	188
C-BE175L6*	1/5	LBP	7.24	220	260	751	887	1.53	1.58	5.22	5.39	CSR/RSCR	F/O	20	300	3.5-5	350	195
C-BE200L6*	1/4	LBP	8.37	255	306	870	1044	1.53	1.58	5.22	5.39	CSR/RSCR	F/O	20	300	3.5-5	350	195
C-BE225L6*	1/3	LBP	9.03	275	330	939	1127	1.55	1.60	5.29	5.46	CSR/RSCR	F/O	20	300	3.5-5	350	198
C-BE250L6*	1/3	LBP	9.82	299	359	1021	1225	1.55	1.60	5.29	5.46	CSR/RSCR	F/O	20	300	3.5-5	350	198

R134a LBP

C-BF Series (High Performance)

Models	Power (HP)	App.	Disp. (cc)	Cooling (w)		Cooling (Btu)		COP (w/w)		EER (Btu/w)		Motor type	Cooling type	Start Cap		Run Cap		H1 (mm)
				50 Hz	60 Hz	50 Hz	60 Hz	50 Hz	60 Hz	50 Hz	60 Hz			mF	vac	mF	vac	
100V/50Hz, 60Hz.																		
C-BF100L0*	1/8	LBP	4.50	132	154	452	526	1.57	1.62	5.36	5.53	RSCR	N	**	**	20	180	178
C-BF110L0*	1/7	LBP	5.20	153	178	522	607	1.59	1.64	5.43	5.60	RSCR	N	**	**	20	180	178
C-BF120L0*	1/6	LBP	5.70	165	194	563	662	1.57	1.62	5.36	5.53	RSCR	N	**	**	20	180	188
C-BF140L0*	1/6	LBP	6.08	182	212	621	723	1.69	1.74	5.77	5.94	RSCR	N	**	**	20	180	188
C-BF150L0*	1/5	LBP	6.68	197	233	672	795	1.68	1.72	5.73	5.87	RSCR	N	**	**	20	180	188
C-BF175L0*	1/5	LBP	7.24	222	258	758	880	1.65	1.73	5.63	5.90	RSCR	F/O	**	**	20	180	195
C-BF200L0*	1/4	LBP	8.37	255	306	870	1044	1.70	1.73	5.80	5.90	RSCR	F/O	**	**	20	180	195
C-BF225L0*	1/3	LBP	9.03	275	330	939	1127	1.70	1.73	5.80	5.90	RSCR	F/O	**	**	20	180	198
C-BF250L0*	1/3	LBP	9.82	299	359	1021	1225	1.70	1.73	5.80	5.90	RSCR	F/O	**	**	20	180	198
110V/60Hz.																		
C-BF100L1*	1/8	LBP	4.50	132	**	452	**	1.57	**	5.36	**	RSCR	N	**	**	20	180	178
C-BF110L1*	1/7	LBP	5.20	153	**	522	**	1.59	**	5.43	**	RSCR	N	**	**	20	180	178
C-BF120L1*	1/6	LBP	5.70	165	**	563	**	1.57	**	5.36	**	RSCR	N	**	**	20	180	188
C-BF140L1*	1/6	LBP	6.08	182	**	621	**	1.69	**	5.77	**	RSCR	N	**	**	20	180	188
C-BF150L1*	1/5	LBP	6.65	197	**	672	**	1.68	**	5.73	**	RSCR	N	**	**	20	180	188
C-BF175L1*	1/5	LBP	7.24	222	**	758	**	1.65	**	5.63	**	RSCR	F/O	**	**	20	180	195
C-BF200L1*	1/4	LBP	8.37	255	**	870	**	1.70	**	5.80	**	RSCR	F/O	**	**	20	180	195
C-BF225L1*	1/3	LBP	9.03	275	**	939	**	1.70	**	5.80	**	RSCR	F/O	**	**	20	180	198
C-BF250L1*	1/3	LBP	9.82	299	**	1021	**	1.70	**	5.80	**	RSCR	F/O	**	**	20	180	198
100V/50Hz., 115-127V/60Hz.																		
C-BF100L2*	1/8	LBP	4.50	132	154	452	526	1.57	1.62	5.36	5.53	RSCR	N	**	**	14	220	178
C-BF110L2*	1/7	LBP	5.20	153	178	522	607	1.59	1.64	5.43	5.60	RSCR	N	**	**	14	220	178
C-BF120L2*	1/6	LBP	5.70	165	194	563	662	1.57	1.62	5.36	5.53	RSCR	N	**	**	14	220	188
C-BF140L2*	1/6	LBP	6.08	182	212	621	723	1.69	1.74	5.77	5.94	RSCR	N	**	**	14	220	188
C-BF150L2*	1/5	LBP	6.65	197	233	672	795	1.68	1.72	5.73	5.87	RSCR	N	**	**	14	220	188
C-BF175L2*	1/5	LBP	7.24	222	258	758	880	1.65	1.73	5.63	5.90	RSCR	F/O	**	**	14	220	195
C-BF200L2*	1/4	LBP	8.37	255	306	870	1044	1.70	1.73	5.80	5.90	RSCR	F/O	**	**	14	220	195
C-BF225L2*	1/3	LBP	9.03	275	330	939	1127	1.70	1.73	5.80	5.90	RSCR	F/O	**	**	14	220	198
C-BF250L2*	1/3	LBP	9.82	299	359	1021	1225	1.70	1.73	5.80	5.90	RSCR	F/O	**	**	14	220	198
220-240V/50Hz.																		
C-BF100L5*	1/8	LBP	4.50	132	**	452	**	1.57	**	5.36	**	RSCR	N	**	**	3.5-5	350	178
C-BF110L5*	1/7	LBP	5.20	153	**	522	**	1.59	**	5.43	**	RSCR	N	**	**	3.5-5	350	178
C-BF120L5*	1/6	LBP	5.70	165	**	563	**	1.57	**	5.36	**	RSCR	N	**	**	3.5-5	350	188
C-BF140L5*	1/6	LBP	6.08	182	**	621	**	1.69	**	5.77	**	RSCR	N	**	**	3.5-5	350	188
C-BF150L5*	1/5	LBP	6.65	197	**	672	**	1.68	**	5.73	**	RSCR	N	**	**	3.5-5	350	188
C-BF175L5*	1/5	LBP	7.24	222	**	758	**	1.65	**	5.63	**	RSCR	F/O	**	**	3.5-5	350	195
C-BF200L5*	1/4	LBP	8.37	255	**	870	**	1.70	**	5.80	**	RSCR	F/O	**	**	3.5-5	350	195
C-BF225L5*	1/3	LBP	9.03	275	**	939	**	1.70	**	5.80	**	RSCR	F/O	**	**	3.5-5	350	198
C-BF250L5*	1/3	LBP	9.82	299	**	1021	**	1.70	**	5.80	**	RSCR	F/O	**	**	3.5-5	350	198

Models	Power (HP)	App.	Disp. (cc)	Cooling (w)		Cooling (Btu)		COP (w/w)		EER (Btu/w)		Motor type	Cooling type	Start Cap		Run Cap		H1 (mm)
				50 Hz	60 Hz	50 Hz	60 Hz	50 Hz	60 Hz	50 Hz	60 Hz			mF	vac	mF	vac	
200-220V/50Hz., 220V/60Hz.																		
C-BF100L6*	1/8	LBP	4.50	132	154	452	526	1.57	1.62	5.36	5.53	RSCR	N	**	**	3.5-5	350	178
C-BF110L6*	1/7	LBP	5.20	153	178	522	607	1.59	1.64	5.43	5.60	RSCR	N	**	**	3.5-5	350	178
C-BF120L6*	1/6	LBP	5.70	165	194	563	662	1.57	1.62	5.36	5.53	RSCR	N	**	**	3.5-5	350	188
C-BF140L6*	1/6	LBP	6.08	182	212	621	723	1.69	1.74	5.77	5.94	RSCR	N	**	**	3.5-5	350	188
C-BF150L6*	1/5	LBP	6.65	197	233	672	795	1.68	1.72	5.73	5.87	RSCR	N	**	**	3.5-5	350	188
C-BF175L6*	1/5	LBP	7.24	222	258	758	880	1.65	1.73	5.63	5.90	RSCR	F/O	**	**	3.5-5	350	195
C-BF200L6*	1/4	LBP	8.37	255	306	870	1044	1.70	1.73	5.80	5.90	RSCR	F/O	**	**	3.5-5	350	195
C-BF225L6*	1/3	LBP	9.03	275	330	939	1127	1.70	1.73	5.80	5.90	RSCR	F/O	**	**	3.5-5	350	198
C-BF250L6*	1/3	LBP	9.82	299	359	1021	1225	1.70	1.73	5.80	5.90	RSCR	F/O	**	**	3.5-5	350	198

C-BZN Series (Standard Performance)

R134a MHBP

Models	Power (HP)	App.	Disp (cc)	Cooling (w)				COP (w/w)				Motor type	Cooling Type	Start Cap		Run Cap		H1 (mm)
				Evap -6.7 °C		Evap 7.2 °C		Evap -6.7 °C		Evap 7.2 °C				mF	vac	mF	vac	
				50 Hz	60 Hz	50 Hz	60 Hz	50 Hz	60 Hz	50 Hz	60 Hz							
100V/50Hz, 60Hz.																		
C-BZN110M0*	1/7	MHBP	4.16	226	268	447	523	1.71	1.75	2.50	2.54	CSIR/CSR	F/O	75	125	16	200	178
C-BZN120M0*	1/6	MHBP	4.50	245	290	484	566	1.74	1.78	2.52	2.57	CSIR/CSR	F/O	75	125	16	200	178
C-BZN140M0*	1/6	MHBP	5.20	283	335	559	654	1.74	1.78	2.52	2.57	CSIR/CSR	F/O	75	125	16	200	178
C-BZN170M0*	1/5	MHBP	6.08	331	392	654	765	1.75	1.79	2.53	2.58	CSIR/CSR	F/O	75	125	16	200	188
C-BZN180M0*	1/5	MHBP	6.65	361	428	715	837	1.75	1.79	2.53	2.58	CSIR/CSR	F/O	75	125	16	200	188
C-BZN200M0*	1/4	MHBP	7.24	394	466	778	911	1.76	1.80	2.55	2.60	CSIR/CSR	F/O	75	125	16	200	188
C-BZN250M0*	1/3	MHBP	8.37	455	539	900	1053	1.76	1.80	2.55	2.60	CSIR/CSR	F/O	75	125	16	200	195
C-BZN275M0*	1/3	MHBP	9.03	491	582	971	1136	1.77	1.81	2.56	2.61	CSIR/CSR	F/O	75	125	16	200	198
C-BZN300M0*	1/2	MHBP	9.82	534	632	1056	1235	1.77	1.81	2.56	2.61	CSIR/CSR	F/O	75	125	16	200	198
110V/60Hz.																		
C-BZN110M1*	1/7	MHBP	4.16	**	268	**	523	**	1.75	**	2.54	CSIR/CSR	F/O	75	125	16	200	178
C-BZN120M1*	1/6	MHBP	4.50	**	290	**	566	**	1.78	**	2.57	CSIR/CSR	F/O	75	125	16	200	178
C-BZN140M1*	1/6	MHBP	5.20	**	335	**	654	**	1.78	**	2.57	CSIR/CSR	F/O	75	125	16	200	178
C-BZN170M1*	1/5	MHBP	6.08	**	392	**	765	**	1.79	**	2.58	CSIR/CSR	F/O	75	125	16	200	188
C-BZN180M1*	1/5	MHBP	6.65	**	428	**	837	**	1.79	**	2.58	CSIR/CSR	F/O	75	125	16	200	188
C-BZN200M1*	1/4	MHBP	7.24	**	466	**	911	**	1.80	**	2.60	CSIR/CSR	F/O	75	125	16	200	188
C-BZN250M1*	1/3	MHBP	8.37	**	539	**	1053	**	1.80	**	2.60	CSIR/CSR	F/O	75	125	16	200	195
C-BZN275M1*	1/3	MHBP	9.03	**	582	**	1136	**	1.81	**	2.61	CSIR/CSR	F/O	75	125	16	200	198
C-BZN300M1*	1/2	MHBP	9.82	**	632	**	1235	**	1.81	**	2.61	CSIR/CSR	F/O	75	125	16	200	198
100V/50Hz., 115-127V/60Hz.																		
C-BZN110M2*	1/7	MHBP	4.16	226	268	447	523	1.71	1.75	2.50	2.54	CSIR/CSR	F/O	75	125	15	220	178
C-BZN120M2*	1/6	MHBP	4.50	245	290	484	566	1.74	1.78	2.52	2.57	CSIR/CSR	F/O	75	125	15	220	178
C-BZN140M2*	1/6	MHBP	5.20	283	335	559	654	1.74	1.78	2.52	2.57	CSIR/CSR	F/O	75	125	15	220	178
C-BZN170M2*	1/5	MHBP	6.08	331	392	654	765	1.75	1.79	2.53	2.58	CSIR/CSR	F/O	75	125	15	220	188
C-BZN180M2*	1/5	MHBP	6.65	361	428	715	837	1.75	1.79	2.53	2.58	CSIR/CSR	F/O	75	125	15	220	188
C-BZN200M2*	1/4	MHBP	7.24	394	466	778	911	1.76	1.80	2.55	2.60	CSIR/CSR	F/O	75	125	15	220	188
C-BZN250M2*	1/3	MHBP	8.37	455	539	900	1053	1.76	1.80	2.55	2.60	CSIR/CSR	F/O	75	125	15	220	195
C-BZN275M2*	1/3	MHBP	9.03	491	582	971	1136	1.77	1.81	2.56	2.61	CSIR/CSR	F/O	75	125	15	220	198
C-BZN300M2*	1/2	MHBP	9.82	534	632	1056	1235	1.77	1.81	2.56	2.61	CSIR/CSR	F/O	75	125	15	220	198
200V/50Hz, 60Hz.																		
C-BZN110M3*	1/7	MHBP	4.16	226	268	447	523	1.71	1.75	2.50	2.54	CSIR/CSR	F/O	20	300	6	350	178
C-BZN120M3*	1/6	MHBP	4.50	245	290	484	566	1.74	1.78	2.52	2.57	CSIR/CSR	F/O	20	300	6	350	178
C-BZN140M3*	1/6	MHBP	5.20	283	335	559	654	1.74	1.78	2.52	2.57	CSIR/CSR	F/O	20	300	6	350	178
C-BZN170M3*	1/5	MHBP	6.08	331	392	654	765	1.75	1.79	2.53	2.58	CSIR/CSR	F/O	20	300	6	350	188
C-BZN180M3*	1/5	MHBP	6.65	361	428	715	837	1.75	1.79	2.53	2.58	CSIR/CSR	F/O	20	300	6	350	188
C-BZN200M3*	1/4	MHBP	7.24	394	466	778	911	1.76	1.80	2.55	2.60	CSIR/CSR	F/O	20	300	6	350	188
C-BZN250M3*	1/3	MHBP	8.37	455	539	900	1053	1.76	1.80	2.55	2.60	CSIR/CSR	F/O	20	300	6	350	195
C-BZN275M3*	1/3	MHBP	9.03	491	582	971	1136	1.77	1.81	2.56	2.61	CSIR/CSR	F/O	20	300	6	350	198
C-BZN300M3*	1/2	MHBP	9.82	534	632	1056	1235	1.77	1.81	2.56	2.61	CSIR/CSR	F/O	20	300	6	350	198

R134a MHBP

C-BZN Series (Standard Performance)

Models	Power (HP)	App.	Disp (cc)	Cooling (w)				COP (w/w)				Motor type	Cooling Type	Start Cap		Run Cap		H1 (mm)
				Evap -6.7 °C		Evap 7.2 °C		Evap -6.7 °C		Evap 7.2 °C				mF	vac	mF	vac	
				50 Hz	60 Hz	50 Hz	60 Hz	50 Hz	60 Hz	50 Hz	60 Hz							
220-240V/50Hz.																		
C-BZN110M5*	1/7	MHBP	4.16	226	**	447	**	1.71	**	2.50	**	CSIR/CSR	F/O	20	300	3.5-5	350	178
C-BZN120M5*	1/6	MHBP	4.50	245	**	484	**	1.74	**	2.52	**	CSIR/CSR	F/O	20	300	3.5-5	350	178
C-BZN140M5*	1/6	MHBP	5.20	283	**	559	**	1.74	**	2.52	**	CSIR/CSR	F/O	20	300	3.5-5	350	178
C-BZN170M5*	1/5	MHBP	6.08	331	**	654	**	1.75	**	2.53	**	CSIR/CSR	F/O	20	300	3.5-5	350	188
C-BZN180M5*	1/5	MHBP	6.65	361	**	715	**	1.75	**	2.53	**	CSIR/CSR	F/O	20	300	3.5-5	350	188
C-BZN200M5*	1/4	MHBP	7.24	394	**	778	**	1.76	**	2.55	**	CSIR/CSR	F/O	20	300	3.5-5	350	188
C-BZN250M5*	1/3	MHBP	8.37	455	**	900	**	1.76	**	2.55	**	CSIR/CSR	F/O	20	300	3.5-5	350	195
C-BZN275M5*	1/3	MHBP	9.03	491	**	971	**	1.77	**	2.56	**	CSIR/CSR	F/O	20	300	3.5-5	350	198
C-BZN300M5*	1/2	MHBP	9.82	534	**	1056	**	1.77	**	2.56	**	CSIR/CSR	F/O	20	300	3.5-5	350	198
200-220V/50Hz., 220V/60Hz.																		
C-BZN110M6*	1/7	MHBP	4.16	226	268	447	523	1.71	1.75	2.50	2.54	CSIR/CSR	F/O	20	300	3.5-5	350	178
C-BZN120M6*	1/6	MHBP	4.50	245	290	484	566	1.74	1.78	2.52	2.57	CSIR/CSR	F/O	20	300	3.5-5	350	178
C-BZN140M6*	1/6	MHBP	5.20	283	335	559	654	1.74	1.78	2.52	2.57	CSIR/CSR	F/O	20	300	3.5-5	350	178
C-BZN170M6*	1/5	MHBP	6.08	331	392	654	765	1.75	1.79	2.53	2.58	CSIR/CSR	F/O	20	300	3.5-5	350	188
C-BZN180M6*	1/5	MHBP	6.65	361	428	715	837	1.75	1.79	2.53	2.58	CSIR/CSR	F/O	20	300	3.5-5	350	188
C-BZN200M6*	1/4	MHBP	7.24	394	466	778	911	1.76	1.80	2.55	2.60	CSIR/CSR	F/O	20	300	3.5-5	350	188
C-BZN250M6*	1/3	MHBP	8.37	455	539	900	1053	1.76	1.80	2.55	2.60	CSIR/CSR	F/O	20	300	3.5-5	350	195
C-BZN275M6*	1/3	MHBP	9.03	491	582	971	1136	1.77	1.81	2.56	2.61	CSIR/CSR	F/O	20	300	3.5-5	350	198
C-BZN300M6*	1/2	MHBP	9.82	534	632	1056	1235	1.77	1.81	2.56	2.61	CSIR/CSR	F/O	20	300	3.5-5	350	198

R404A LBP

C3BR Series (Standard Performance)

Models	App.	Motor type	Disp. (cc)	Cooling (w)		Cooling (Btu)		COP (w/w)		EER (Btu/w)		H1 (mm)
				50 Hz	60 Hz	50 Hz	60 Hz	50 Hz	60 Hz	50 Hz	60 Hz	
200V / 50Hz, 60Hz.												
C3BR225L3*	LBP	3 Ph.	5.20	260	290	887	990	1.20	1.23	4.10	4.20	188
C3BR250L3*	LBP	3 Ph.	5.70	300	340	1024	1160	1.25	1.27	4.27	4.33	188
C3BR300L3*	LBP	3 Ph.	6.08	322	386	1099	1317	1.35	1.37	4.61	4.68	195
C3BR350L3*	LBP	3 Ph.	6.79	380	445	1297	1519	1.36	1.39	4.64	4.74	195
C3BR400L3*	LBP	3 Ph.	7.24	405	465	1382	1587	1.37	1.40	4.68	4.78	195
C3BR425L3*	LBP	3 Ph.	8.37	452	520	1543	1775	1.40	1.44	4.78	4.91	195
C3BR450L3*	LBP	3 Ph.	9.03	518	601	1767	2050	1.45	1.48	4.95	5.05	195
C3BR475L3*	LBP	3 Ph.	9.82	563	653	1922	2229	1.45	1.48	4.95	5.05	195

C3BHR Series (Standard Performance)**R290 LBP**

Models	App.	Motor type	Disp. (cc)	Cooling (w)		Cooling (Btu)		COP (w/w)		EER (Btu/w)		H1 (mm)
				50 Hz	60 Hz	50 Hz	60 Hz	50 Hz	60 Hz	50 Hz	60 Hz	
200V / 50Hz, 60Hz.												
C3BHR200L3*	LBP	3 Ph.	5.20	250	295	843	993	1.38	1.46	4.71	4.98	188
C3BHR225L3*	LBP	3 Ph.	5.70	275	320	921	1085	1.38	1.44	4.71	4.91	188
C3BHR250L3*	LBP	3 Ph.	6.08	290	340	983	1160	1.43	1.51	4.88	5.15	188
C3BHR325L3*	LBP	3 Ph.	6.79	325	380	1099	1297	1.41	1.50	4.81	5.12	195
C3BHR350L3*	LBP	3 Ph.	7.24	345	405	1171	1379	1.45	1.53	4.95	5.22	195
C3BHR400L3*	LBP	3 Ph.	8.37	400	470	1354	1596	1.47	1.56	5.02	5.32	195
C3BHR425L3*	LBP	3 Ph.	9.03	424	530	1446	1807	1.45	1.50	4.94	5.12	195
C3BHR450L3*	LBP	3 Ph.	9.82	452	565	1541	1927	1.45	1.50	4.94	5.12	195

C3BE Series (Standard Performance)**R134a LBP**

Models	App.	Motor type	Disp. (cc)	Cooling (w)		Cooling (Btu)		COP (w/w)		EER (Btu/w)		H1 (mm)
				50 Hz	60 Hz	50 Hz	60 Hz	50 Hz	60 Hz	50 Hz	60 Hz	
200V / 50Hz, 60Hz.												
C3BE110L3*	LBP	3 Ph.	5.20	149	178	508	607	1.31	1.35	4.47	4.61	178
C3BE120L3*	LBP	3 Ph.	5.70	163	200	555	682	1.41	1.47	4.81	5.02	178
C3BE140L3*	LBP	3 Ph.	6.08	178	212	607	723	1.45	1.50	4.95	5.12	188
C3BE150L3*	LBP	3 Ph.	6.65	193	233	659	795	1.48	1.54	5.05	5.26	195
C3BE175L3*	LBP	3 Ph.	7.24	218	258	744	880	1.49	1.55	5.08	5.29	195
C3BE200L3*	LBP	3 Ph.	8.37	255	300	870	1024	1.52	1.57	5.19	5.36	195
C3BE225L3*	LBP	3 Ph.	9.03	275	330	938	1125	1.55	1.60	5.29	5.46	195
C3BE250L3*	LBP	3 Ph.	9.82	299	359	1020	1224	1.55	1.60	5.29	5.46	195

C3BK Series (Standard Performance)**R448A LBP**

Models	App.	Motor type	Disp. (cc)	Cooling (w)		Cooling (Btu)		COP (w/w)		EER (Btu/w)		H1 (mm)
				50 Hz	60 Hz	50 Hz	60 Hz	50 Hz	60 Hz	50 Hz	60 Hz	
200V / 50Hz, 60Hz.												
C3BK225L3*	LBP	3 Ph.	5.20	260	290	887	989	1.19	1.19	4.06	4.06	188
C3BK250L3*	LBP	3 Ph.	5.70	293	345	999	1176	1.04	1.25	3.55	4.26	188
C3BK300L3*	LBP	3 Ph.	6.08	330	390	1125	1330	1.20	1.3	4.09	4.43	195
C3BK350L3*	LBP	3 Ph.	6.79	368	441	1255	1504	1.31	1.35	4.47	4.60	195
C3BK400L3*	LBP	3 Ph.	7.24	397	456	1354	1555	1.31	1.35	4.47	4.60	195
C3BK425L3*	LBP	3 Ph.	8.37	475	549	1620	1872	1.40	1.43	4.77	4.88	195
C3BK450L3*	LBP	3 Ph.	9.03	512	592	1746	2019	1.42	1.45	4.84	4.94	198
C3BK475L3*	LBP	3 Ph.	9.82	556	620	1896	2114	1.42	1.45	4.84	4.94	198

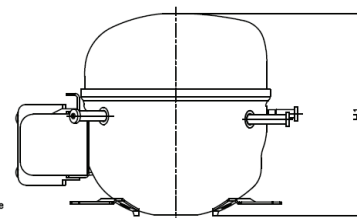
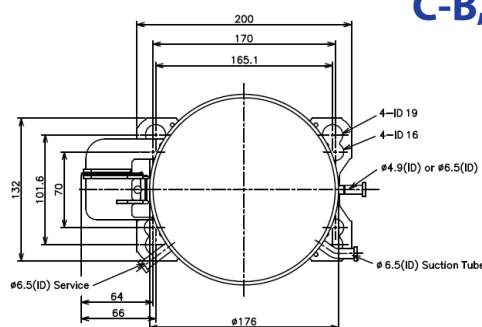
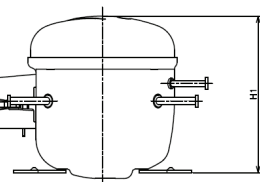
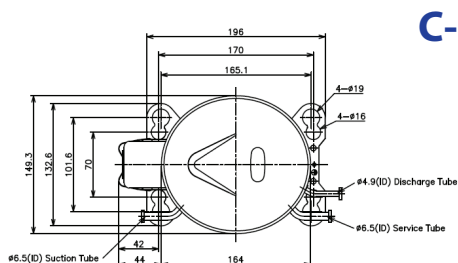
R1234yf LBP

C3BX Series (Standard Performance)

Models	App.	Motor type	Disp. (cc)	Cooling (w)		Cooling (Btu)		COP (w/w)		EER (Btu/w)		H1 (mm)
				50 Hz	60 Hz	50 Hz	60 Hz	50 Hz	60 Hz	50 Hz	60 Hz	
200V / 50Hz, 60Hz.												
C3BX110L3*	LBP	3 Ph.	5.20	143	171	488	583	1.26	1.30	4.30	4.43	178
C3BX120L3*	LBP	3 Ph.	5.70	156	187	532	638	1.36	1.41	4.64	4.81	178
C3BX140L3*	LBP	3 Ph.	6.08	171	204	583	696	1.40	1.45	4.77	4.94	188
C3BX150L3*	LBP	3 Ph.	6.65	185	224	631	764	1.42	1.49	4.84	5.08	195
C3BX175L3*	LBP	3 Ph.	7.24	209	248	713	846	1.43	1.49	4.88	5.08	195
C3BX200L3*	LBP	3 Ph.	8.37	245	288	835	982	1.46	1.51	4.98	5.15	195
C3BX225L3*	LBP	3 Ph.	9.03	264	310	900	1057	1.46	1.51	4.98	5.15	195
C3BX250L3*	LBP	3 Ph.	9.82	287	338	979	1153	1.49	1.52	5.08	5.18	195

CONDENSING UNIT

Models	App.	Power source	Disp. (cc)	Cooling (w)		Cooling (Btu)		COP (w/w)		EER (Btu/w)		
				50 Hz	60 Hz	50 Hz	60 Hz	50 Hz	60 Hz	50 Hz	60 Hz	
CCBR Series (Standard Performance)											R404A	
CCBR400L0X	LBP	100V 50/60Hz	7.24	416	490	1419	1671	1.50	1.54	5.12	5.25	
CCBR400L0Z	LBP	100V 50/60Hz	7.24	416	490	1419	1671	1.50	1.54	5.12	5.25	
CCBR475L0X	LBP	100V 50/60Hz	9.82	574	684	1957	2332	1.34	1.40	4.57	4.77	
CCBR400L5X	LBP	220-240V 50Hz	7.24	417	-	1422	-	1.45	-	4.94	-	
CCBR400L5Z	LBP	220-240V 50Hz	7.24	417	-	1422	-	1.45	-	4.94	-	
CCBE Series (Standard Performance)											R134a	
CCBZN150L0Z	LBP	100V 50/60Hz	6.65	156	191	532	651	0.95	1.09	3.24	3.72	
CCBZN225L0X	LBP	100V 50/60Hz	9.03	252	301	859	1026	1.34	1.43	4.57	4.88	
CCBZN225L0Y	LBP	100V 50/60Hz	9.03	307	360	1047	1228	1.57	1.62	5.35	5.52	
CCBZN225L6Z	LBP	200-220V50Hz , 220V 60Hz	9.03	329	370	1122	1262	1.57	1.59	5.35	5.42	
CCQ Series (Small size)											R134a	
CCQN75M0C	MBP	100V 50/60Hz	3.58	114	135	389	460	1.22	1.37	4.16	4.67	
CCQE95L0C	LBP	100V 50/60Hz	3.28	103	125	351	426	1.29	1.44	4.40	4.91	



Models	App.	Disp (cc)	COMPRESSOR RUNING SPEED (RPM)	ASHRAE 32 CONDITION							H1 (mm)	
				Speed RPM	COOLING CAPACITY			EFFICIENCY				COOLING Type
					Kcal/hr	Watt	Btu/hr	EER Kcal/Whr	COP W/W	EER Btu/Whr		
CKVHR Series				R290								
CKVHR222L*	LBP	5.70	1380-4020	2000	166	193	658	1.46	1.69	5.77	Fan	182
				2500	209	243	830	1.46	1.70	5.80		
				3000	256	298	1017	1.47	1.71	5.84		
				3500	304	353	1204	1.47	1.71	5.81		
CKVHR252L*	LBP	6.08	1380-4020	2000	177	206	702	1.46	1.70	5.80	Fan	192
				2500	223	260	885	1.47	1.71	5.82		
				3000	274	318	1084	1.48	1.72	5.86		
CKVHR302L*	LBP	6.79	1380-4020	2000	198	230	784	1.45	1.69	5.76	Fan	192
				2500	249	290	988	1.47	1.71	5.81		
				3000	305	355	1211	1.45	1.69	5.77		
CKVHR352L*	LBP	7.24	1380-4020	2000	211	245	836	1.45	1.69	5.76	Fan	192
				2500	266	309	1054	1.47	1.71	5.82		
				3000	326	379	1291	1.47	1.71	5.84		
CKVHR402L*	LBP	8.37	1380-4020	2000	244	283	966	1.45	1.69	5.75	Fan	192
				2500	307	357	1219	1.46	1.70	5.80		
				3000	377	438	1493	1.47	1.71	5.83		
CKVHR422L*	LBP	9.03	1380-4020	2000	263	306	1042	1.45	1.69	5.76	Fan	192
				2500	332	386	1315	1.47	1.71	5.84		
				3000	406	472	1611	1.48	1.72	5.86		
CKVHR452L*	LBP	9.82	1380-4020	2000	286	332	1133	1.45	1.69	5.75	Fan	192
				2500	361	419	1430	1.47	1.71	5.84		
				3000	442	514	1752	1.48	1.72	5.88		
CKVHR272M*	MBP	5.7	1380-4020	2000	281	327	1114	1.65	1.92	6.55	Fan	182
				2500	352	409	1394	1.67	1.94	6.62		
				3000	422	491	1675	1.69	1.96	6.68		
CKVHR302M*	MBP	6.08	1380-4020	2000	300	348	1188	1.67	1.94	6.62	Fan	182
				2500	375	436	1487	1.69	1.96	6.68		
				3000	450	524	1786	1.70	1.98	6.75		
CKVHR352M*	MBP	6.79	1380-4020	2000	335	389	1327	1.69	1.96	6.68	Fan	192
				2500	419	487	1661	1.70	1.98	6.75		
				3000	503	585	1995	1.72	2.00	6.82		
CKVHR402M*	MBP	7.24	1380-4020	2000	357	415	1415	1.70	1.98	6.75	Fan	192
				2500	447	519	1771	1.72	2.00	6.82		
				3000	536	624	2127	1.74	2.02	6.89		
CKVHR452M*	MBP	8.37	1380-4020	2000	413	480	1636	1.72	2.00	6.82	Fan	192
				2500	516	600	2047	1.74	2.02	6.89		
				3000	620	721	2459	1.76	2.05	6.99		
CKVHR472M*	MBP	9.03	1380-4020	2000	445	517	1765	1.74	2.02	6.89	Fan	192
				2500	557	648	2209	1.76	2.05	6.99		
				3000	669	778	2653	1.79	2.08	7.09		
CKVHR502M*	MBP	9.82	1380-4020	2000	484	563	1919	1.76	2.05	6.99	Fan	192
				2500	606	704	2402	1.79	2.08	7.09		
				3000	728	846	2885	1.81	2.10	7.16		
				3500	848	986	3361	1.81	2.10	7.16		

BLDC COMPRESSOR

Models	App.	Disp (cc)	COMPRESSOR RUNING SPEED (RPM)	ASHRAE 32 CONDITION							H1 (mm)	
				Speed RPM	COOLING CAPACITY			EFFICIENCY				COOLING Type
					Kcal/hr	Watt	Btu/hr	EER Kcal/Whr	COP W/W	EER Btu/Whr		
CKVH Series				R600a								
CKVH90L*	LBP	6.08	1380-4020	2000	62	73	248	1.39	1.61	5.50	N/F	178
				2500	78	91	311	1.43	1.66	5.65		
				3000	87	101	345	1.34	1.56	5.31		
				3500	108	125	427	1.44	1.67	5.69		
CKVH110L*	LBP	7.87	1380-4020	2000	81	94	321	1.44	1.68	5.72	N/F	182
				2500	101	118	402	1.47	1.71	5.83		
				3000	113	131	447	1.41	1.64	5.58		
				3500	139	162	552	1.45	1.69	5.75		
CKVH130L*	LBP	9.08	1380-4020	2000	93	108	368	1.43	1.66	5.67	N/F	182
				2500	116	135	460	1.47	1.71	5.83		
				3000	140	163	556	1.46	1.70	5.79		
				3500	159	185	631	1.41	1.64	5.58		
CKVH140L*	LBP	9.82	1380-4020	2000	108	125	426	1.56	1.81	6.18	N/F	182
				2500	137	159	542	1.59	1.85	6.30		
				3000	159	185	631	1.53	1.78	6.07		
				3500	179	208	709	1.47	1.70	5.81		
CKVH160L*	LBP	11.4	1380-4020	2000	108	125	426	1.56	1.81	6.18	N/F	182
				2500	137	159	542	1.59	1.85	6.30		
				3000	159	185	631	1.53	1.78	6.07		
				3500	179	208	709	1.47	1.70	5.81		
CKVR Series				R404A								
CKVR252L*	LBP	5.70	1380-4020	2000	189	219	748	1.41	1.64	5.58	Fan	182
				2500	245	285	972	1.46	1.70	5.78		
				3000	298	346	1181	1.43	1.67	5.68		
				3500	342	398	1357	1.43	1.66	5.65		
CKVR302L*	LBP	6.08	1380-4020	2000	201	234	797	1.41	1.64	5.58	Fan	182
				2500	261	304	1037	1.46	1.70	5.79		
				3000	318	369	1260	1.46	1.69	5.78		
				3500	365	424	1447	1.44	1.67	5.70		
CKVR352L*	LBP	6.79	1380-4020	2000	225	261	891	1.40	1.63	5.57	Fan	192
				2500	292	340	1158	1.46	1.70	5.79		
				3000	355	413	1407	1.47	1.71	5.81		
				3500	408	474	1616	1.46	1.69	5.77		
CKVR402L*	LBP	7.24	1380-4020	2000	239	278	950	1.38	1.61	5.49	Fan	192
				2500	311	362	1234	1.45	1.68	5.74		
				3000	378	440	1500	1.46	1.69	5.77		
				3500	435	505	1723	1.45	1.68	5.74		
CKVR422L*	LBP	8.37	1380-4020	2000	277	322	1098	1.41	1.63	5.57	Fan	192
				2500	360	419	1427	1.44	1.67	5.71		
				3000	437	509	1734	1.42	1.65	5.63		
				3500	502	584	1992	1.40	1.63	5.57		
CKVR452L*	LBP	9.03	1380-4020	2000	299	347	1184	1.42	1.65	5.64	Fan	192
				2500	388	452	1540	1.45	1.68	5.74		
				3000	472	549	1871	1.44	1.67	5.70		
				3500	542	630	2150	1.43	1.66	5.67		
CKVR472L*	LBP	9.82	1380-4020	2000	325	378	1288	1.41	1.64	5.60	Fan	192
				2500	422	491	1674	1.46	1.69	5.77		
				3000	513	597	2035	1.44	1.67	5.70		
				3500	590	686	2338	1.42	1.65	5.63		

Models	App.	Disp (cc)	COMPRESSOR RUNNING SPEED (RPM)	ASHRAE 32 CONDITION							H1 (mm)	
				Speed	COOLING CAPACITY			EFFICIENCY				COOLING
								EER	COP	EER		Type
					RPM	Kcal/hr	Watt	Btu/hr	Kcal/Whr	W/W		
CKVE Series											R134a	
CKVE140L*	LBP	6.08	1380-4020	2000	99	115	392	1.39	1.62	5.52	N/F	178
				2500	125	145	494	1.39	1.61	5.49		
				3000	155	180	614	1.38	1.61	5.48		
				3500	181	210	716	1.34	1.56	5.30		
CKVE150L*	LBP	6.65	1380-4020	2000	108	126	429	1.39	1.61	5.50	N/F	178
				2500	136	159	541	1.39	1.62	5.52		
				3000	169	197	671	1.41	1.64	5.59		
				3500	198	230	783	1.38	1.61	5.48		
CKVE175L*	LBP	7.24	1380-4020	2000	114	132	451	1.37	1.59	5.43	N/F	178
				2500	159	185	631	1.40	1.62	5.53		
				3000	191	222	757	1.38	1.61	5.49		
				3500	220	256	873	1.34	1.56	5.32		
CKVE200L*	LBP	8.37	1380-4020	2000	144	167	569	1.31	1.52	5.18	N/F	178
				2500	181	211	720	1.40	1.62	5.53		
				3000	220	256	873	1.38	1.60	5.46		
				3500	255	297	1013	1.33	1.55	5.27		
CKVE225L*	LBP	9.08	1380-4020	2000	156	181	618	1.35	1.58	5.37	N/F	182
				2500	197	229	781	1.41	1.63	5.58		
				3000	239	278	947	1.40	1.63	5.57		
				3500	277	322	1099	1.39	1.61	5.49		
CKVE252L*	LBP	9.82	1380-4020	2000	169	196	668	1.40	1.63	5.57	Fan	192
				2500	213	248	844	1.47	1.71	5.82		
				3000	258	300	1024	1.48	1.72	5.85		
				3500	300	348	1188	1.46	1.70	5.80		
CKVE272L*	LBP	11.4	1380-4020	2000	195	227	774	1.38	1.60	5.46	Fan	192
				2500	248	288	982	1.41	1.63	5.58		
				3000	299	348	1187	1.46	1.70	5.80		
				3500	347	403	1374	1.41	1.63	5.58		
CKVE175M*	MBP	6.08	1380-4020	2000	208	242	824	1.81	2.10	7.16	Fan	178
				2500	262	305	1038	1.81	2.10	7.16		
				3000	325	378	1289	1.81	2.10	7.16		
				3500	379	441	1504	1.77	2.06	7.03		
CKVE182M*	MBP	6.65	1380-4020	2000	227	264	901	1.75	2.03	6.93	Fan	182
				2500	286	333	1136	1.79	2.08	7.10		
				3000	356	413	1410	1.82	2.12	7.23		
				3500	415	482	1645	1.80	2.10	7.15		
CKVE202M*	MBP	7.24	1380-4020	2000	239	278	947	1.77	2.06	7.02	Fan	192
				2500	334	389	1325	1.76	2.04	6.97		
				3000	401	466	1590	1.82	2.12	7.23		
				3500	462	538	1833	1.78	2.07	7.05		
CKVE222M*	MBP	8.37	1380-4020	2000	302	351	1196	1.83	2.13	7.25	Fan	192
				2500	381	443	1511	1.82	2.12	7.23		
				3000	462	538	1833	1.79	2.08	7.08		
				3500	536	624	2127	1.76	2.05	7.00		
CKVE252M*	MBP	9.08	1380-4020	2000	327	380	1297	1.82	2.11	7.21	Fan	192
				2500	413	481	1639	1.84	2.14	7.29		
				3000	502	583	1989	1.80	2.10	7.15		
				3500	582	677	2307	1.76	2.05	6.99		
CKVE272M*	MBP	9.82	1380-4020	2000	354	411	1403	1.81	2.11	7.20	Fan	192
				2500	447	520	1773	1.82	2.12	7.24		
				3000	542	631	2151	1.84	2.14	7.29		
				3500	629	732	2495	1.80	2.09	7.13		
CKVE302M*	MBP	11.4	1380-4020	2000	410	477	1626	1.80	2.10	7.15	Fan	192
				2500	518	602	2054	1.82	2.12	7.23		
				3000	630	733	2498	1.84	2.14	7.29		
				3500	730	849	2895	1.79	2.08	7.08		

DISTRIBUTOR / AGENT IN VIETNAM



MIANMI COMPANY LIMITED



MIANMI COMPANY LIMITED

Tầng 46, Tòa nhà BITECO FINANCIAL,
02 Hải Triều, P. Bến Nghé, Q.1, Tp. HCM

Hotline: **0399.123.123**

Email: mianmi@mianmi.vn - ivan@hvacr-expo.com

Website: hvacr-expo.com | hvacr-shop.com



BRISTOL

COMPRESSORS™



KK KULTHORN KIRBY PUBLIC CO., LTD.

LATKRABANG INDUSTRIAL ESTATE

126 CHALONG KRUNG ROAD 31, BANGKOK 10520, THAILAND