

# **Torsion** X<sup>®</sup>

EXTREME BOLTING FORCE

Hydraulic  
Torque  
Wrenches

**Proven Technology  
That Works**



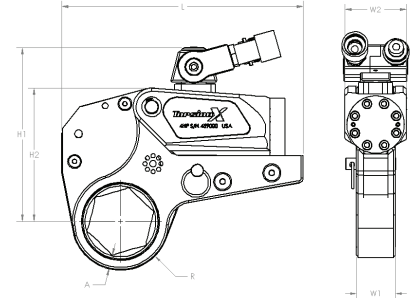
# HEXPRO<sup>®</sup> SERIES

LOW PROFILE  
TORQUE WRENCHES

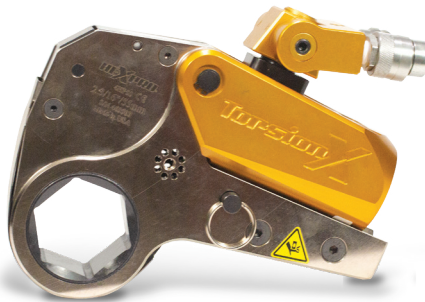
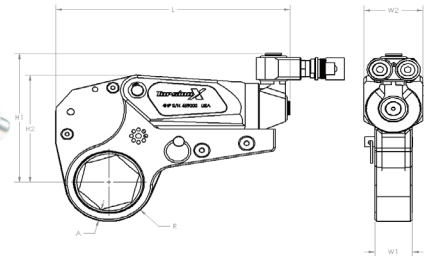
HEXPRO Series Low Profile Wrenches are essential tools for limited clearance applications. The versatile HEXPRO Series supports an extensive range of interchangeable hexagon ratchet links which deliver a torque range of 162 ft-lbs. to 28,861 ft-lbs. (220 Nm to 39,130 Nm).



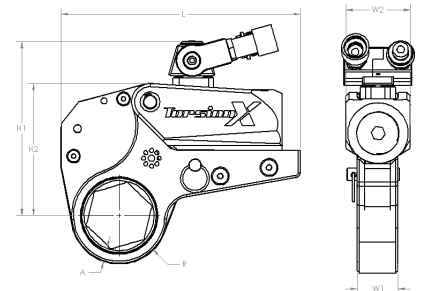
HEXPRO 4HP



HEXPRO 4HP-B



HEXPRO 4HP-HD



## HEXPRO SPECIFICATIONS

Model	4HP-HD	
Torque (ft-lbs.)	409-4,369	
Torque (Nm)	554-5,923	
Hex Size (Imperial)	1.5/16" - 3.1/8"	
Hex Size (Metric)	36 mm - 80 mm	
Power Head	5 lbs	12.27 kg
Ratchet Link	9 lbs	4.09 kg
L	9.72"	246.9 mm
H1	7.44"	178.8 mm
H2	5.71"	145.0 mm
W1	1.65"	41.9 mm
W2	2.60"	66.0 mm
A	.58"	14.7 mm
R	1.397"-2.393"	35.5mm - 60.8mm

Model	2HP/2HP-B		4HP/4HP-B		8HP		14HP		30HP	
Torque (ft-lbs.)	162 - 1,714		439 - 4,500		762 - 8,100		1,245 - 13,443		2,846 - 28,861	
Torque (Nm)	220 - 2,324		595 - 6,101		1,033 - 10,982		1,689 - 18,229		3,858 - 39,130	
Hex Size (Imperial)	3/4" - 2.3/8"		1.5/16" - 3.1/8"		1.1/2" - 3.15/16"		2" - 4.5/8"		3.1/8" - 6.7/8"	
Hex Size (Metric)	19 mm - 60 mm		36 mm - 80 mm		41 mm - 100 mm		50 mm - 115 mm		80 mm - 175 mm	
Power Head	3 lbs	1.36 kg	5 lbs	2.27 kg	8 lbs	3.63 kg	13 lbs	5.90 kg	27 lbs	12.27 kg
Ratchet Link	4 lbs	1.81 kg	9 lbs	4.09 kg	16 lbs	7.27 kg	26 lbs	11.82 kg	70 lbs	31.82 kg
L	7.32"/7.70"	185.9mm/195.9mm	9.72"/10.31"	246.9mm/261.8mm	11.87"	301.5 mm	14.24"	361.7 mm	17.05"	433.1 mm
H1	5.26"/5.05"	133.6mm/128.2mm	7.36"/6.42"	186.9mm/163.0mm	8.43"	214.1 mm	9.41"	239.0 mm	12.40"	315.0 mm
H2	4.12"/4.12"	104.7mm/104.7mm	5.71"/5.71"	145.0mm/145.0mm	6.95"	176.5 mm	8.00"	203.2 mm	11.22"	285.0 mm
W1	1.25"/1.25"	31.8mm/31.8mm	1.65"/1.65"	41.9mm/41.9mm	2.08"	52.8 mm	2.52"	64.0 mm	3.35"	85.1 mm
W2	2.00"/2.00"	50.8mm/50.8mm	2.60"/260"	66.0mm/66.0mm	3.27"	83.1 mm	3.88"	98.6 mm	5.16"	131.1 mm
A	.390"/.390"	9.9mm/9.9mm	.580"/.580"	14.7mm/14.7mm	.650"	16.5 mm	.740"	18.8 mm	1.010"	25.7 mm
R	1.054"-1.766"	26.8mm - 44.9mm	1.397"- 2.393"	35.5mm-60.8mm	1.882"-2.944"	46.3mm-74.8mm	2.340"-3.416"	59.4mm-86.8mm	3.037"-4.559"	77.1mm-115.8mm



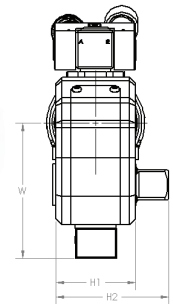
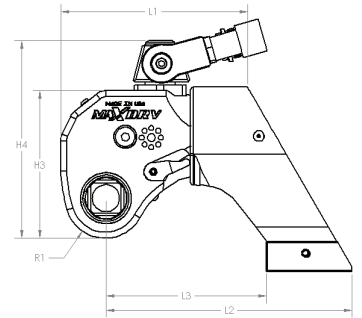
For more information call

**+1.304.744.9489**

# MAXDRV<sup>®</sup> SERIES

SQUARE DRIVE  
TORQUE WRENCHES

MAXDRV Series Square Drive Torque Wrenches offer a compact design, constructed of aluminum alloy and high strength steel alloy for increased strength and durability while minimizing the weight. The MAXDRV Series offers a torque range of 64 ft-lbs. to 18,446 ft-lbs. (86 Nm - 25,009 Nm).



## MAXDRV SPECIFICATIONS

Model	.7MD		1MD		3MD		5MD		10MD		17MD	
Torque (ft-lbs.)	64 - 793		125 - 1,318		270 - 3,167		538 - 5,480		1,050 - 11,206		1,640 - 18,446	
Torque (Nm)	86 - 1,076		169 - 1,787		366 - 4,294		729 - 7,430		1,423 - 15,193		2,223 - 25,009	
Drive	.75"		.75"		1.00"		1.50"		1.50"		2.50"	
Weight	3.2 lbs	1.45 kg	5 lbs	2.27 kg	11 lbs	5.00 kg	18 lbs	8.16 kg	32 lbs	14.51 kg	61 lbs	27.67 kg
L1	3.90"	99.1 mm	4.83"	122.7 mm	6.18"	157.0 mm	7.47"	189.7 mm	9.36"	237.7 mm	10.85"	275.6 mm
L2	5.08"	129.0 mm	6.23"	158.2 mm	8.13"	206.5 mm	9.73"	247.1 mm	12.22"	310.4 mm	14.20"	360.7 mm
L3	3.32"	84.3 mm	4.11"	104.4 mm	5.31"	134.9 mm	6.41"	162.8 mm	8.02"	203.7 mm	9.19"	233.4 mm
H1	1.62"	41.1 mm	1.97"	50.0 mm	2.63"	66.8 mm	3.16"	80.3 mm	3.95"	100.3 mm	4.63"	117.6 mm
H2	2.56"	65.0 mm	2.88"	73.2 mm	3.72"	94.5 mm	4.93"	125.2 mm	5.75"	146.1 mm	6.98"	177.3 mm
H3	3.02"	76.7 mm	3.77"	95.8 mm	4.88"	124.0 mm	5.97"	151.6 mm	7.35"	186.7 mm	8.50"	215.9 mm
H4	4.29"	108.9 mm	4.97"	126.2 mm	6.46"	164.1 mm	7.71"	195.8 mm	9.04"	229.6 mm	10.36"	263.1 mm
W	1.50"	38.1 mm	3.45"	87.6 mm	4.49"	114.1 mm	5.39"	136.9 mm	6.73"	170.9 mm	7.82"	198.6 mm
R1	.83"	21.1 mm	1.04"	26.4 mm	1.31"	33.3 mm	1.63"	41.4 mm	2.03"	51.6 mm	2.32"	58.9 mm

For more information visit  
**TorsionX.com**



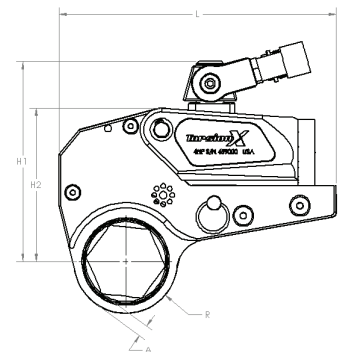


**SERIES**

EXTRA-LOW PROFILE  
TORQUE WRENCHES

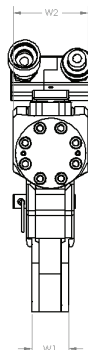
The RUFNEX Extra Low Clearance Torque Wrenches are essential for limited clearance applications. The RUFNEX Series has many of the same specifications as the Hexpro Series, plus:

- Reduced Width
- Reduced Radius
- Fits Into Tight Locations
- Standard 4HP Power Head



**RUFNEX SPECIFICATIONS**

Model	4RN-203		4RN-206		4RN-209	
Hex Size ( A.F. )	2.3/16"	55mm	2.3/8"	60mm	2.9/16"	65mm
Power Head	5 lbs	2.27 kg	5 lbs	2.27 kg	5 lbs	2.27 kg
Ratchet Link	8 lbs	3.63 kg	8 lbs	3.63 kg	8 lbs	3.63 kg
L	9.65"	245.1 mm	9.65"	245.1 mm	9.65"	245.1 mm
H1	6.97"	177.0 mm	6.97"	177.0 mm	6.97"	177.0 mm
H2	5.34"	135.0 mm	5.34"	135.0 mm	5.34"	135.0 mm
W1	1.25"	31.75 mm	1.25"	31.75 mm	1.25"	31.75 mm
W2	2.60"	66.0 mm	2.60"	66.0 mm	2.60"	66.0 mm
A	.412"	10.5 mm	.418"	10.6 mm	.454"	11.5 mm
R	1.685"	42.8 mm	1.796"	45.6 mm	1.95"	49.5 mm



For more information call  
**+1.304.744.9489**



## PWRPAX-115/220 Multi-Port Power Pack

- Runs Up to Four Hydraulic Torque Wrenches
- Three-Stage High Performance Pump
- External Adjustable Pressure Regulator
- Heavy Duty Roll Cage
- Remote Control Assembly
- Cooling System
- 10,000 PSI / 690 BAR

### PWRPAX-115/220 Multi-Port Power Pack

110 volts or 220 volts @ 50/60 hz.
110V 13.7 amps—220V 6.75 amps
1.5 HP
3450 RPM
Maximum oil flow: 610 in <sup>3</sup> /min, 10.0 L/min
Reservoir Capacity: 2 Gal/ 7.57 L
Overall dimensions: 18" x 15.50" x 18.25" / 45.7 cm x 39.4 cm x 46.4cm
Weight (without oil): 75 lbs./ 34 Kg

(available in 4-port)

## PWRPAX-AIR Multi-Port Power Pack

- Runs Up to Four Hydraulic Torque Wrenches
- Three-Stage High Performance Pump
- External Adjustable Pressure Regulator
- Heavy Duty Roll Cage
- Remote Control Assembly
- 10,000 PSI / 690 BAR

### PWRPAX-AIR Multi-Port Power Pack

4 HP
3000 RPM
Maximum oil flow: 625 in <sup>3</sup> /min, 10.2 L/min
Reservoir Capacity: 2 Gal/ 7.57 L
Overall dimensions: 18" x 15.50" x 18.25" / 45.7 cm x 39.4 cm x 46.4cm
Weight (without oil): 64 lbs./ 29 Kg

(available in 4-port)



# ABCART SERIES

ULTRA-LOW PROFILE  
TORQUE WRENCHES

The ABCART Series - Ultra Low Clearance Torque Wrench are essential for limited clearance applications. The ABCART Series utilizes standard Hexpro Power Heads.

- Open Spanner Links
- Closed Spanner Links
- Fits into Tight Locations



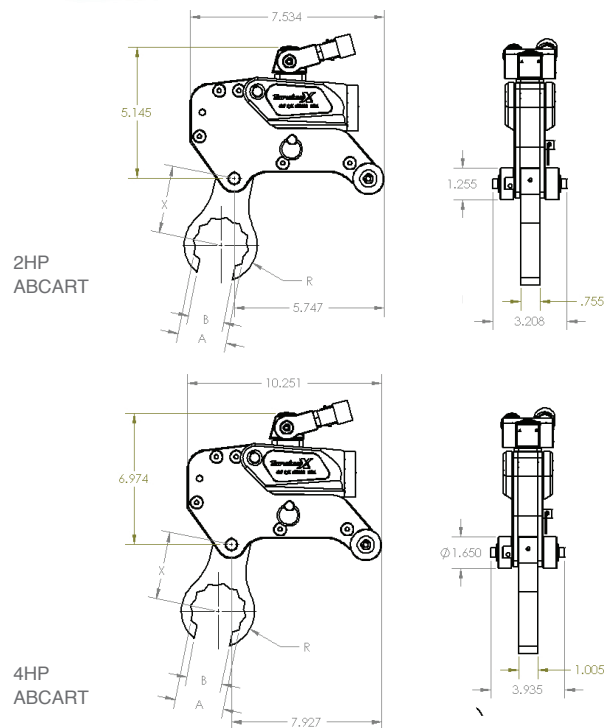
## 2HP ABCART SPECIFICATIONS

OPEN SPANNERS							
	A		B		X		R
2HPAB-102OSL	1.140"	29.0mm	.950"	24.1mm	2.406"	61.1mm	.887"
2HPAB-104OSL	1.260"	32.0mm	1.050"	26.7mm	2.406"	61.1mm	.975"
2HPAB-107OSL	1.185"	30.1mm	1.135"	28.8mm	2.406"	61.1mm	1.166"
2HPAB-110OSL	1.639"	41.6mm	1.200"	30.5mm	2.406"	61.1mm	1.241"
2HPAB-113OSL	1.822"	46.3mm	1.338"	34.0mm	2.406"	61.1mm	1.316"
2HPAB-200OSL	2.015"	51.2mm	1.457"	37.0mm	5.232"	132.9mm	1.516"
2HPAB-203OSL	2.205"	56.0mm	1.582"	40.2mm	5.232"	132.9mm	1.673"
2HPAB-206OSL	2.391"	60.7mm	1.707"	43.4mm	5.232"	132.9mm	1.810"

CLOSED SPANNERS							
	A		B		X		R
2HPAB-102CSL	1.140"	29.0mm	N/A	N/A	2.406"	61.1mm	.887"
2HPAB-104CSL	1.260"	32.0mm	N/A	N/A	2.406"	61.1mm	.975"
2HPAB-107CSL	1.185"	30.1mm	N/A	N/A	2.406"	61.1mm	1.166"
2HPAB-110CSL	1.639"	41.6mm	N/A	N/A	2.406"	61.1mm	1.241"
2HPAB-113CSL	1.822"	46.3mm	N/A	N/A	2.406"	61.1mm	1.316"
2HPAB-200CSL	2.015"	51.2mm	N/A	N/A	5.232"	132.9mm	1.516"
2HPAB-203CSL	2.205"	56.0mm	N/A	N/A	5.232"	132.9mm	1.673"
2HPAB-206CSL	2.391"	60.7mm	N/A	N/A	5.232"	132.9mm	1.810"

## 4HP ABCART SPECIFICATIONS

OPEN SPANNERS							
	A		B		X		R
4HPAB-107OSL	1.447"	36.8mm	1.148"	29.2mm	3.587"	91.1mm	1.202"
4HPAB-110OSL	1.635"	41.5mm	1.273"	32.3mm	3.587"	91.1mm	1.313"
4HPAB-113OSL	1.823"	46.3mm	1.334"	33.9mm	3.587"	91.1mm	1.535"
4HPAB-200OSL	2.010"	51.1mm	1.523"	38.7mm	3.587"	91.1mm	1.585"
4HPAB-203OSL	2.193"	55.7mm	1.621"	41.2mm	3.587"	91.1mm	1.653"
4HPAB-206OSL	2.391"	60.7mm	1.778"	45.2mm	3.587"	91.1mm	1.866"
4HPAB-209OSL	2.582"	65.6mm	1.890"	48.0mm	3.587"	91.1mm	1.931"
4HPAB-212OSL	2.776"	70.5mm	2.023"	51.4mm	3.587"	91.1mm	2.084"
4HPAB-215OSL	2.970"	75.4mm	2.148"	54.6mm	3.587"	91.1mm	2.242"
4HPAB-302OSL	3.165"	80.4mm	2.367"	60.1mm	3.587"	91.1mm	2.560"



CLOSED SPANNERS							
	A		B		X		R
4HPAB-107CSL	1.447"	36.8mm	N/A	N/A	3.587"	91.1mm	1.202"
4HPAB-110CSL	1.635"	41.5mm	N/A	N/A	3.587"	91.1mm	1.313"
4HPAB-113CSL	1.823"	46.3mm	N/A	N/A	3.587"	91.1mm	1.535"
4HPAB-200CSL	2.010"	51.1mm	N/A	N/A	3.587"	91.1mm	1.585"
4HPAB-203CSL	2.193"	55.7mm	N/A	N/A	3.587"	91.1mm	1.653"
4HPAB-206CSL	2.391"	60.7mm	N/A	N/A	3.587"	91.1mm	1.866"
4HPAB-209CSL	2.582"	65.6mm	N/A	N/A	3.587"	91.1mm	1.931"
4HPAB-212CSL	2.776"	70.5mm	N/A	N/A	3.587"	91.1mm	2.084"
4HPAB-215CSL	2.970"	75.4mm	N/A	N/A	3.587"	91.1mm	2.242"
4HPAB-302CSL	3.165"	80.4mm	N/A	N/A	3.587"	91.1mm	2.560"



For more information call

**+1.304.744.9489**



# FLANGE ALIGNMENT PINS

Flange alignment pins will help align any flange manually. For even alignment, it is best to use in sets of two. The pins are measured by the BOLT HOLE SIZE, not the BOLT SIZE.

## FLANGE ALIGNMENT PIN SPECIFICATIONS

Model	Hex Size (A)	Shaft Size (B)	Shaft Length (C)	Overall Length (D)
FAP008	1/2"	.49"	2.38"	3.13"
FAP008L	1/2"	.49"	5.38"	6.13"
FAP010	5/8"	.61"	2.75"	3.50"
FAP010L	5/8"	.61"	5.75"	6.50"
FAP012	3/4"	.74"	3.25"	4.25"
FAP012L	3/4"	.74"	6.25"	7.25"
FAP014	7/8"	.86"	3.50"	4.50"
FAP014L	7/8"	.86"	6.50"	7.50"
FAP100	1"	.98"	4.00"	5.25"
FAP100L	1"	.98"	7.00"	8.25"
FAP102	1.1/8"	1.10"	5.00"	6.25"
FAP102L	1.1/8"	1.10"	8.00"	9.25"
FAP104	1.1/4"	1.23"	5.50"	7.00"
FAP104L	1.1/4"	1.23"	8.50"	10.00"
FAP106	1.3/8"	1.35"	6.25"	7.75"
FAP106L	1.3/8"	1.35"	9.25"	10.75"
FAP108	1.1/2"	1.47"	6.50"	8.25"
FAP108L	1.1/2"	1.47"	9.50"	11.25"
FAP110	1.5/8"	1.59"	7.25"	9.00"
FAP110L	1.5/8"	1.59"	10.25"	12.00"
FAP112	1.3/4"	1.72"	7.88"	9.88"
FAP112L	1.3/4"	1.72"	10.88"	12.88"
FAP114	1.7/8"	1.84"	8.38"	10.38"
FAP114L	1.7/8"	1.84"	11.38"	13.38"
FAP200	2"	1.96"	9.00"	11.00"
FAP200L	2"	1.96"	12.00"	14.00"
FAP202	2.1/8"	2.08"	12.00"	14.00"
FAP202L	2.1/8"	2.08"	15.00"	17.00"
FAP206	2.3/8"	2.33"	13.25"	15.25"
FAP206L	2.3/8"	2.33"	16.25"	18.25"
FAP210	2.5/8"	2.57"	14.00"	16.00"
FAP210L	2.5/8"	2.57"	17.00"	19.00"
FAP214	2.7/8"	2.82"	14.63"	16.63"
FAP302	3.1/8"	3.06"	18.00"	20.50"
FAP310	3.5/8"	3.55"	20.00"	22.50"



# NUTLOX

BACKUP  
WRENCHES

TorsionX Nutlox backup wrenches are designed and manufactured to prevent hex nuts from rotating while applying torque. Nutlox backup wrenches can be utilized while loosening hex nuts.

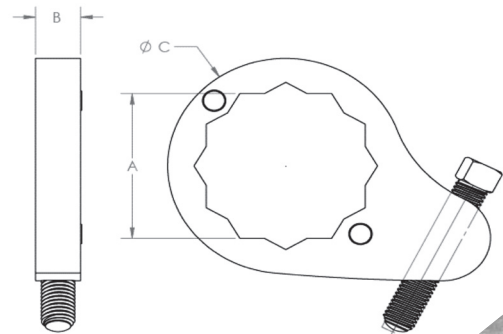
- Imperial and metric size
- Easy installation and easy removal
- Hands free
- Heavy duty magnets keep backup wrenches secure on applications



## NUTLOX SPECIFICATIONS

Model	Hex Size in Inches	Hex Size in Millimeters	Thickness (B)	OD (C)
NUTLOX-104	1.1/4"	32mm	1.00"	1.89"
NUTLOX-107	1.7/16"	36mm	1.00"	2.18"
NUTLOX-110	1.5/8"	41mm	1.00"	2.46"
NUTLOX-113	1.13/16"	46mm	1.00"	2.7"
NUTLOX-200	2"	50mm	1.00"	3.03"
NUTLOX-203	2.3/16"	55mm	1.00"	3.31"
NUTLOX-206	2.3/8"	60mm	1.00"	3.60"
NUTLOX-209	2.9/16"	65mm	1.00"	3.88"
NUTLOX-212	2.3/4"	70mm	1.00"	4.16"
NUTLOX-215	2.15/16"	75mm	1.00"	4.50"
NUTLOX-302	3.1/8"	80mm	1.00"	4.73"
NUTLOX-308	3.1/2"	90mm	1.00"	5.30"
NUTLOX-314	3.7/8"	100mm	1.00"	5.87"

Additional sizes available upon request — please contact TorsionX



For more information visit  
**TorsionX.com**







# **TorsionX**

EXTREME BOLTING FORCE

TorsionX - Extreme Bolting Force  
P.O. Box 10068  
Charleston, WV 25357  
**+1.304.744.9489**  
[www.TorsionX.com](http://www.TorsionX.com)

