

DINING TABLE – SAND

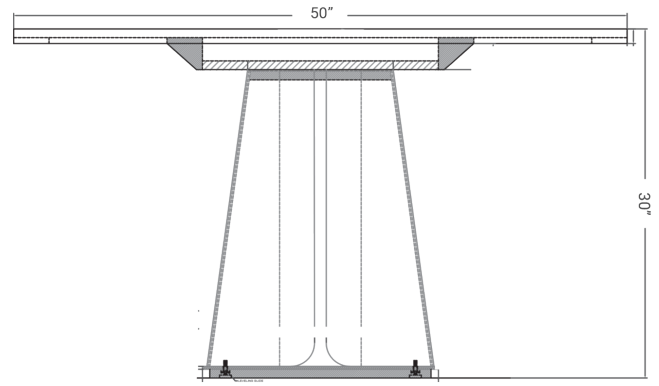
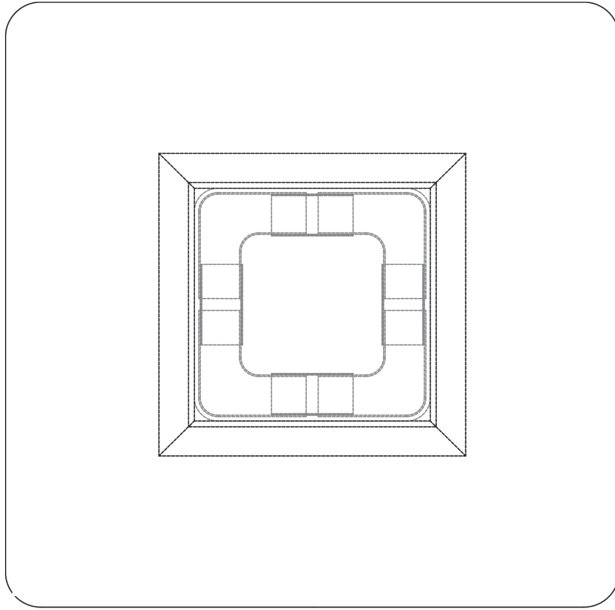
LINHERR HOLLINGSWORTH FOR DESIRON SQUARE DINING TABLE



Crafted from expansive metal sheets expertly contoured to shape a protective shell encasing a versatile hollow core, this table boasts remarkable strength and adaptability. The slender core, bearing a minimal reveal, offers the flexibility to employ diverse materials. Enhancing its ingenious design, the tabletops feature discreet inset pockets on their undersides, perfectly accommodating a metal plate to establish a flawlessly integrated connection between top and base. Seamlessly marrying form and function, this table sets a new standard in design versatility.

DESIRON

DINING TABLE



CUSTOMIZATION OPTIONS

Each Desiron piece is customizable and available in a variety of finishes. Contact your sales rep to inquire about customization requests and to receive finish samples.



SHOWN IN SAND, PEARL, & MIRROR NICKEL

SIZE 50" x 50" x 30"H

SKU DSRN-LH-DT-01

200 LEXINGTON AVE. SUITE 611 | NY, NY 10016

P 212.353.2600

INFO@DESIRON.COM | **DESIRON.COM**

DES | IRON