

SENATOR™ SILENT 200



3000
PSI

41
L/PM

KOHLER KD1903
42HP
DIESEL
ENGINE TYPE
KOHLER Diesel

DIRECT
1500RPM
DRIVE

COLD
WATER
OUTPUT



HERO INNOVATIONS



PEXO™
Enclosed Design



JWPP™
Jetwave Italian Premium Pump



INTELIUMS™
LCD Control System



OLCE™
Oversized Liquid Cooled Engine



ULDO™
Ultra Low Decibel Output

LEARN MORE



Senator Silent Video

APPLICATIONS



Tradesmen



Factories & Manufacturing



Mine Sites



Offshore Oil & Gas



STANDOUT FEATURES



JW® Enhanced Italian triplex plunger pump running at 1500RPM delivers more performance and longer life.



Oversized Liquid Cooled **Kohler™** KD1903 42HP diesel engine that optimises all speeds and loads.



InteliumS™ LCD Unit management system displays live data read outs, warnings and auto shutdown to protect the units critical components.



Sound proof cabinet ensures ultra low noise emissions approx 70dB allowing after hours cleaning in built up areas



Enclosed steel cabinet protection keeps all critical working components safe from weather and operator error.



Battery isolator & emergency stop.

STANDARD EQUIPMENT

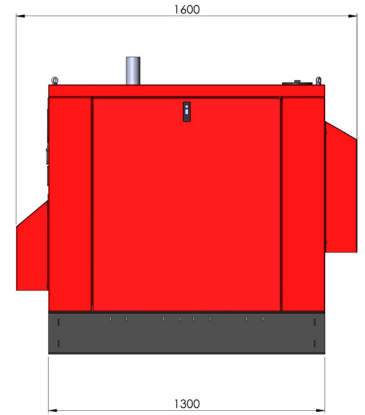
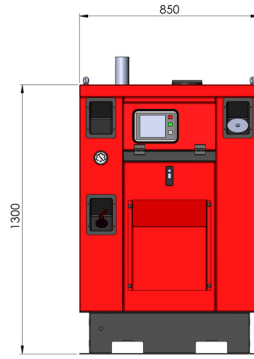


J5000™ High Pressure Gun + Twin Lance with Nozzles.



15m Double Wire Braid Hose with M22 Couplings.

DIMENSIONS (MM)



TECHNICAL DATA 0:00

SENATOR™ SILENT 200

Product Code	CW3000-41DI
Pressure / Flow Rate	3000 PSI (200 BAR) / 41 L/PM
Max Water Inlet Temp	60°C
Class (ASNZS: 4223)	Class B (8,200 Bar/Litres)
Usage Frequency	Industrial: 6 - 8 Hours Daily
Nozzle Size	12
Frame Structure	CNC Modular skid galvanised steel chassis plus satin powder coat finish w/removable side covers

MOTOR FEATURES

Engine / Power	Kohler™ KDI1903 Electric Push Button Start (liquid cooled) 42HP / 1861cc
Fuel Type / Capacity / Protection	Diesel / 80L / IntelliUMS™ Auto Shutdown Protection

HYDRAULIC FEATURES

Pump / Head / Pistons	JW® Italian Triplex Plunger / Brass (Nickle Plated) / Ceramic
Motor Pump Coupling / Pump RPM	Direct Soft Coupling / 1500RPM
Unloader Valve	Independent
Safety Valve	Yes

DIMENSIONS & WEIGHT

Machine Dimensions / Weight	Skid: 1600mm(L) x 850mm(W) x 1300mm(H) / 530KG
-----------------------------	--

WARRANTY(S)

Unit / Pump Warranty*	 2 Years
Engine Warranty*	KOHLER .Diesel 3 Years

OPTIONAL ACCESSORIES

OPTIONAL UPGRADES

A-Frame Hose Reel 100m	JWA120	4 x LED Work Lights + LED Beacon	JWA427
Additional High Pressure Hose	52001	Mine Specification Kit	On Application
JW Bypass Pro Foam	PROFOAM	Remote Stop/Start	00030-B
Turbo Head w/Lance (300BAR)	JWA160		
21" Hammerhead - Stainless Steel	JWA-FSC21-5		
30" Hammerhead - Stainless Steel	JWA-FSC30		

The manufacturer reserves the right to modify design features and technical facts without notice, due to our principals of continuous improvement.

*Coverage against defects in material and workmanship (refer to Jetwave's and component partners T&Cs).

V2.2 08/21