

# SENATOR™ G2 280-21



**4060**  
PSI

**21**  
L/PM

**HONDA GX690**  
PETROL  
ENGINE TYPE  
POWERED by HONDA

**GEARBOX**  
1450RPM  
DRIVE

**COLD WATER**  
OUTPUT



--- Optional - Trolley Kit

## HERO INNOVATIONS



**PEXO™**  
Stainless Steel Exoskeleton



**JWPP™**  
Jetwave Italian Premium Pump



**CC™**  
Centralised Control



**AVPS™**  
Anti Vibration Protection System



**MC™**  
Multi Configuration



Senator G2 Video

## APPLICATIONS



Tradesmen



Commercial Cleaners



Shipping & Logistics



Hire & Rental



## STANDOUT FEATURES



JW® Enhanced Italian triplex plunger pump running at 1450RPM delivers more performance and longer life.



Electric start Industrial V-Twin Honda™ GX690 Series Engine with digital engine hour meter.



Jetwave Safety System™ (JSS) thermal and safety valve to prevent overheating in excessive bypass and over pressurisation.



Seamless & sealed 40L on-board oversized water bypass tank w/low level cut out, for unit water supply and pump protection.



Battery isolator & Emergency stop for increased safety and longevity.



Seamless under chassis mounted 25L fuel tank (w/level gauge) protected from heat with front fill point safety.

## STANDARD EQUIPMENT

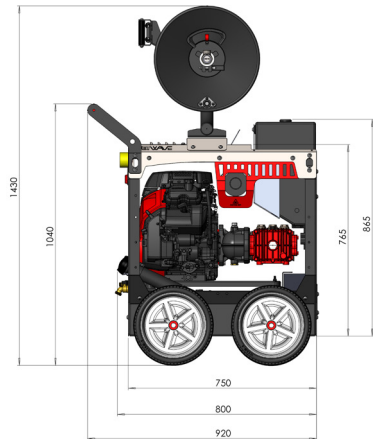
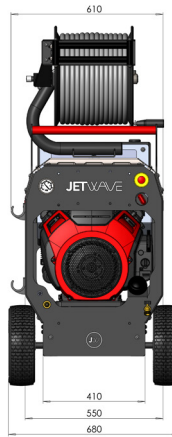


J5000™ High Pressure Gun + Twin Lance with Nozzles.



15m Double Wire Braid Hose with M22 Couplings.

## DIMENSIONS (MM)



## TECHNICAL DATA 0:00

## SENATOR G2 280-21

|                      |   |
|----------------------|---|
| Product Code         | CW4000-21PEG2   |
| Pressure / Flow Rate | 4060 PSI (280 BAR) / 21 L/PM  |
| Max Water Inlet Temp | 60C°  |
| Class (ASNZS: 4223)  | B (5,880 Bar/Litres)  |
| Usage Frequency      | Professional: 4 Hours Daily   |
| Nozzle Size          | 05  |
| Frame Structure      | CNC Modular galvanised steel chassis plus satin powder coat finish and <b>stainless steel cover</b> |

## MOTOR FEATURES

|                                   |   |
|-----------------------------------|---|
| Engine / Power                    | Honda™ GX690 Electric Key Start (air cooled) 23HP / 690cc |
| Fuel Type / Capacity / Protection | Unleaded / 25L (w/level gauge) / Low Oil Shutdown         |

## HYDRAULIC FEATURES

|                                |   |
|--------------------------------|---|
| Pump / Head / Pistons          | JW® Italian Triplex Plunger / Brass (Nickle Plated) / Ceramic |
| Motor Pump Coupling / Pump RPM | Gearbox Drive / 1450RPM                                       |
| Unloader Valve                 | Independent (Panel Mounted)                                   |
| Safety Valve                   | Yes   |
| Detergent Injector             | Yes - Downstream low pressure (power boost)                   |

## DIMENSIONS & WEIGHT

|                             |  |
|-----------------------------|--|
| Machine Dimensions / Weight | Skid: 750mm(L) x 550mm(W) x 765mm(H) / 150KG (approx.) |
|-----------------------------|--|

## WARRANTY(S)

|                       |         |
|-----------------------|---------|
| Unit / Pump Warranty* | 2 Years |
| Engine Warranty*      | 3 Years |

## OPTIONAL ACCESSORIES

|                               |             |
|-------------------------------|-------------|
| 30m Hose Reel                 | 1060CMLP    |
| 60m Hose Reel                 | 1067CMLP    |
| Additional High Pressure Hose | 52001       |
| JW12 Foaming Lance w/1L Tank  | JWA221-LS12 |
| JW Bypass Pro Foam            | PROFOAM     |
| Turbo Head w/Lance (300BAR)   | JWA160      |
| 21" Hammerhead - Plastic      | JWA-FSC21   |

## OPTIONAL UPGRADES

|   |                            |
|---|----------------------------|
| iGX700 EFI Engine Upgrade               | ADD:FI                     |
| 4 Wheel Trolley Kit                     | JWA407A                    |
| Front Double Stack Kit                  | JWA-429C                   |
| Top Double Stack Kit                    | JWA-430C                   |
| Low Pressure Inlet Hose Reel w/30m hose | 1065CMLLP                  |
| Hose Reel Roller Guide System HGS™      | 1067-GUIDEASSY (1067 Only) |

The manufacturer reserves the right to modify design features and technical facts without notice, due to our principals of continuous improvement.

\*Coverage against defects in material and workmanship (refer to Jetwave's and component partners T&Cs).

V2.3 04/22