

# HORNET™ G2 JNR



**3000**  
PSI

**11**  
L/PM

**HONDA GX200**  
PETROL  
ENGINE TYPE  
POWERED by HONDA.

**GEARBOX**  
1450RPM  
DRIVE

**COLD**  
WATER  
OUTPUT



## HERO INNOVATIONS



**PEXO™**  
Stainless Steel Exoskeleton



**CC™**  
Centralised Control



**AVPS™**  
Anti Vibration Protection System



**ETL™**  
Engineered Top Lifting Lug



LEARN MORE



HorNet G2 Video

## APPLICATIONS



Tradesmen



Commercial Cleaners



Agriculturist



Hire & Rental



## STANDOUT FEATURES



JW® Italian triplex plunger pump running at 1450RPM delivers more performance and longer life.



Industrial Honda™ GX200 Series Engine that delivers performance and reliability.



Jetwave Safety System™ (JSS) thermal and safety valve to prevent overheating in excessive bypass and over pressurisation.



Zero line pressure brass adjustable unloader valve.



Anti flat all terrain wheels for reliable portability on site.



Emergency stop.

## STANDARD EQUIPMENT

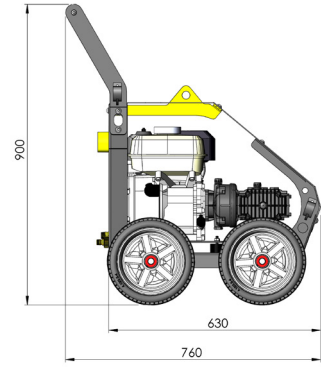
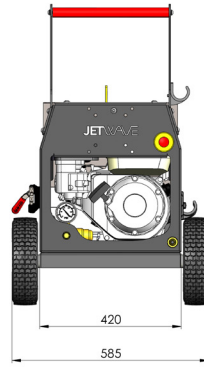


J5000™ High Pressure Gun + Twin Lance with Nozzles.



15m Double Wire Braid Hose with M22 Couplings.

## DIMENSIONS (MM)



## TECHNICAL DATA 0:00

## HORNET™ G2 JNR

Product Code	CW3000-11PG2
Pressure / Flow Rate	3000 PSI (200 BAR) / 11 L/PM
Max Water Inlet Temp	60°C
Class (ASNZS: 4223)	A (2,200 Bar/Litres)
Usage Frequency	Professional - 4 Hours Daily
Nozzle Size	O3
Frame Structure	CNC Modular skid galvanised steel chassis plus satin powder coat finish and <b>steel cover</b>

## MOTOR FEATURES

Engine / Power	Honda™ GX200 Pull Start (air cooled) 6.5HP / 200cc
Fuel Type / Capacity / Protection	Unleaded / 6.1L / Low Oil Shutdown

## HYDRAULIC FEATURES

Pump / Head / Pistons	JW® Italian Triplex Plunger / Brass / Ceramic
Motor Pump Coupling / Pump RPM	Gearbox Drive / 1450RPM
Unloader Valve	Independent (Zero)
Safety Valve	Yes
Detergent Injector	Yes - Downstream low pressure (power boost)

## DIMENSIONS & WEIGHT

Machine Dimensions / Weight	760mm(L) x 585mm(W) x 900mm(H) / 60KG
-----------------------------	---------------------------------------

## WARRANTY(S)

Unit / Pump Warranty*	2 Years
Engine Warranty*	3 Years

## OPTIONAL ACCESSORIES

30m Hose Reel	1060CMLP
Additional High Pressure Hose	52001
JW3 Foaming Lance w/1L Tank	JWA221
Turbo Head w/Lance (300BAR)	JWA160.O3

## OPTIONAL UPGRADES

Wheel Brake System Kit	TOL8075
Engine Hour Meter	JWA-WBS

The manufacturer reserves the right to modify design features and technical facts without notice, due to our principals of continuous improvement.  
\*Coverage against defects in material and workmanship (refer to Jetwave's and component partners T&Cs).

V2.2 08/21