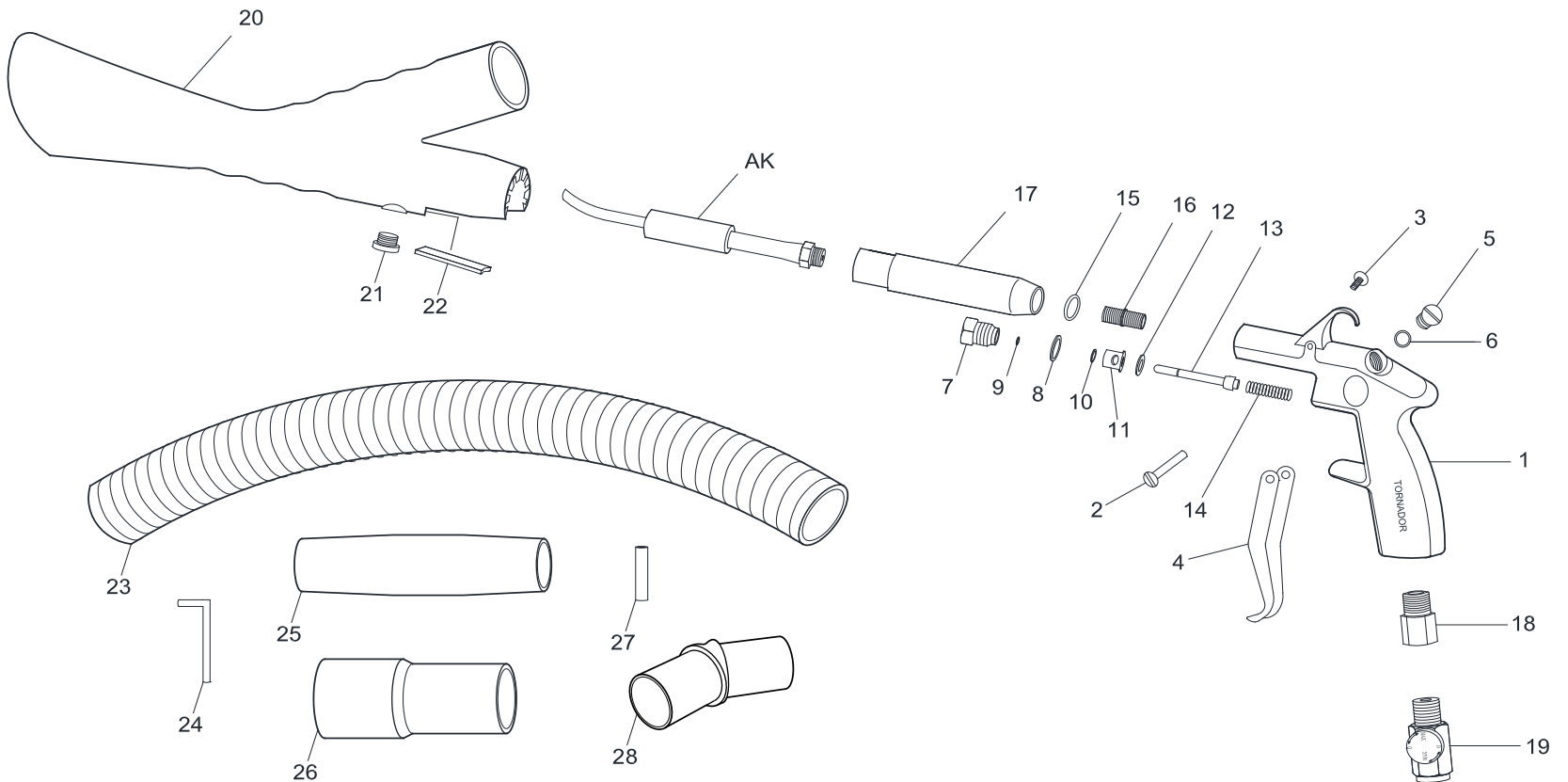


# ZV-240 Tornador® Velocity Vac DRY



Ref. No.	Tornador Part No.	Description	Q'ty
			Tool
1	CT-001	Housing	1
2	CT-006-007	Pin	1
3	CT-006-007	Screw	1
4	CT-009	Trigger	1
5	CT-008	Screw	1
6	In CT-010SK	O-Ring (4.47x1.78)	1
7	CT-011-09-015	Screw	1
8	In CT-010SK	O-Ring (9x2)	1
9	CT-030	O-Ring (2x1)	1
10	In CT-010SK	O-Ring (3.5x1.5)	1
11	CT-010	Bushing	1
12	CT-011	Gasket	1
13	CT-012	Valve Stem	1
14	CT-415	Spring	1
15	CT-228	Gasket	1
16	CT-023	Screw	1
17	ZV-404	Valve Body	1

Ref. No.	Tornador Part No.	Description	Q'ty
			Tool
	x	Air Inlet (1/4"PF)	1
18	CT-022	Air Inlet (1/4"PT)	1
	x	Air Inlet (1/4"NPT)	1
19	T-6103	Air Regulator Brass	1
20	VHC-240	Velocity-vac	1
21	VS-023	Screw	1
22	VK-200	Flat Key	2
23	VH-200	Vacuum Hose	1
24		Hex Wrench	1
25	VR-200	Adaptor (Reducer)	2
26	VC-112	Collar	2
27	VT-120	Polyvinyl Chloride Tube	4
28	VCA-200	Adaptor (Reducer)	1
AK	TB-200RS	Rotate Set	1
	CT-010SK	Service Kit	1
	CT-420	Plunger Kit	1

CT-010SK Kit Contains: #6, #8, #9 CT-030, #10, #12 CT-011, #14 CT-415, CT-01

CT-420 Plunger Kit Contains: #9 CT-030, #10, #11 CT-010, #12 CT-011, #13 CT-012, #14 CT-415