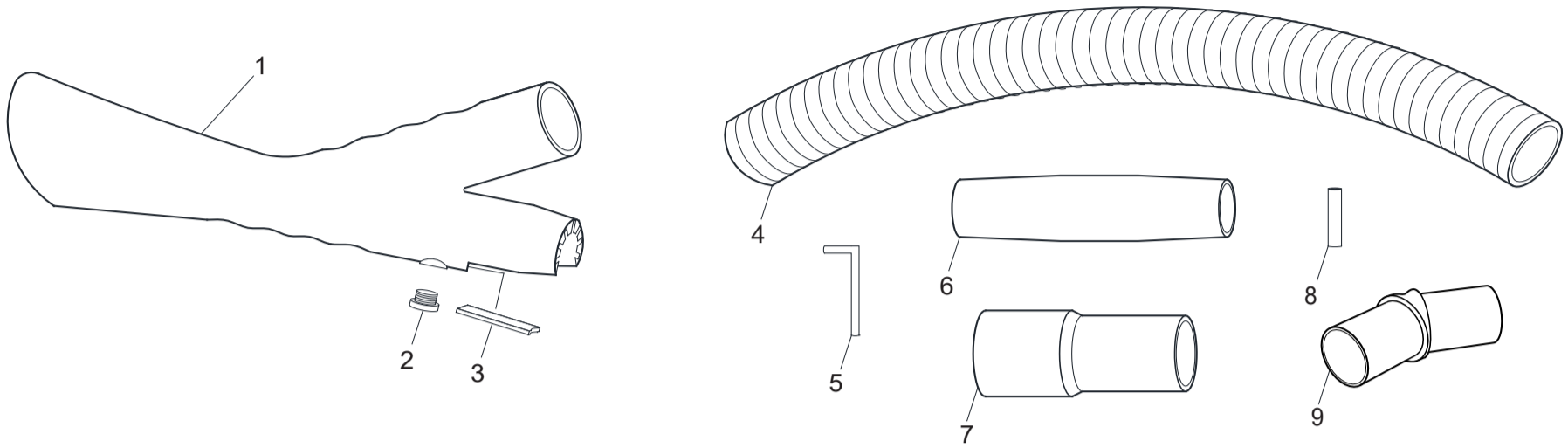


## ZV-200 Tornador® Velocity Vac



Ref. No.	Tornador Part No.	Description	Q'ty Tool	Ref. No.	Tornador Part No.	Description	Q'ty Tool
1	VHB-200	Velocity-vac Hood	1	6	VR-200	Adaptor (Reducer)	2
2	VS-023	Screw (M8p 1.25 x 16mm)	1	7	VC-112	Collar	2
3	VK-200	Flat Key	2	8	VT-120	Polyvinyl Chloride Tube	4
4	VH-200	Vacuum Hose	1	9	VCA-200	Adaptor (Reducer)	1
5		Hex Wrench	1				