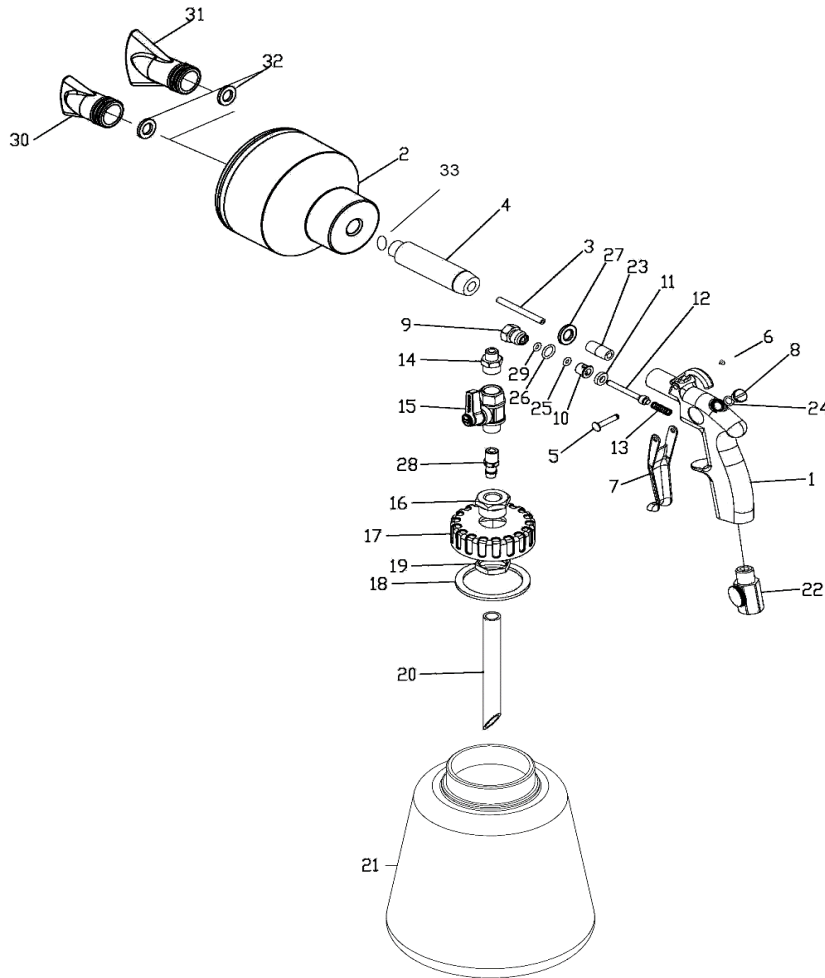


Z-011D TORNADOR® Foam Gun



Ref. No.	Tornador Part No.	Description	Q'ty /Tool	Ref. No.	Tornador Part No.	Description	Q'ty /Tool
1	CT-001	Housing	1	21	CT-800	Cup	1
2	CT-1100A	Snow cap ass'y	1	22	X	Air Inlet (1/4"PF)	
3	CT-1103	Pipe			CT-022	Air Inlet (1/4"PT)	
4	CT-11005	Valve Body	1		X	Air Inlet (1/4"NPT)	
5	CT-006-007	Pin	1	23	CT-123	Screw	1
6	CT-006-007	Screw	1	24	In CT-010SK	O-Ring 4.47x1.78	1
7	CT-009	Trigger	1	25	CT-025	O-Ring 3.8x1.9	1
8	CT-008	Screw	1	26	In CT-010SK	O-Ring 9.3x1.78	1
9	CT-011-09-015	Screw	1	27	CT-228	Gasket	1
10	CT-010	Bushing	1	28	Part of CT-700	Screw	1
11	CT-011	Gasket	1	29	CT-030	O-Ring 2x1	1
12	CT-012	Valve Stem	1	30		Small Nozzle	1
13	CT-415	Spring	1	31	CT-1100DK	Big Nozzle	1
14	CT-116	Screw	1	32		O-ring AS-018	2
15	CT-700	Air Reverse Switch Ass'y	1			CT-1100DK Kit includes items above	
16	CT-016	Screw	1				
17	CT-300	Cap	1	RK	CT-011RK	Repair Kit Ref. No.-- 4,14,23,27,28	
18	CT-018	Gasket	1	SK	CT-011SK	Service Kit Ref. No.-- 13,24,25,26,30,32x2	
19	CT-419	Nut	1				
20	CT-1120	Tube	1				

CT-010SK Contains: #13 CT-415, #24 O'Ring, #25 O'Ring, #26 O'Ring

CT-011SK not in stock but can build with the addition of the CT-1100DK and CT-1100A

CT-420 Plunger Assembly: #10 CT-010, #11 CT-011, #12 CT-012, #13 CT-415, #25 CT-025, #29 CT-030