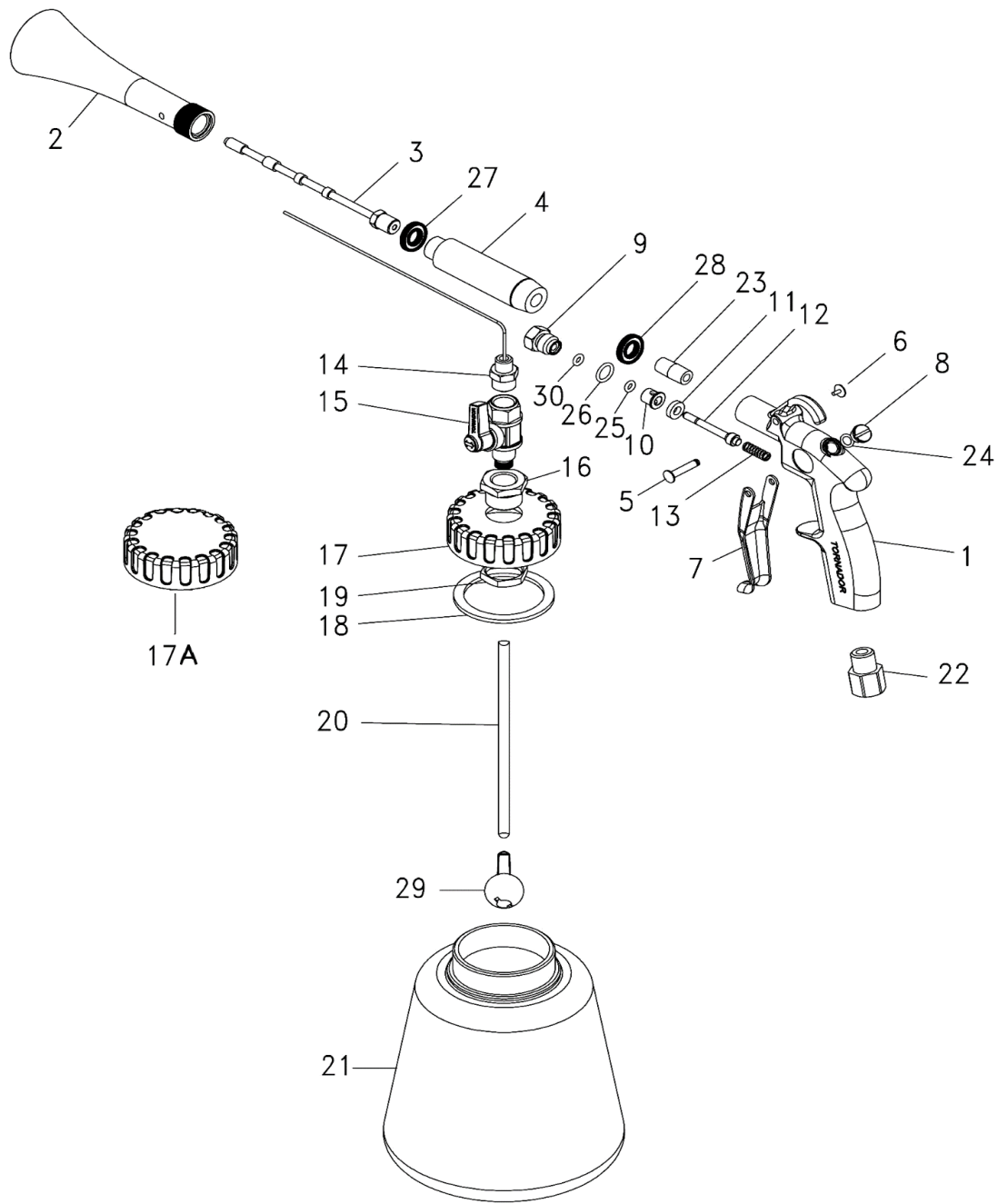


Z-010 TORNADOR® Cleaning Tool - Parts Cross Reference



Ref. No.	Tornador Part No.	Description	Q'ty /Tool	Ref. No.	Tornador Part No.	Description	Q'ty /Tool
1	CT-001	Housing	1	20	CT-500	Tube Ass'y(incl.part.no.29)	1
2	CT-100	Nozzle (White)	1	21	CT-800	Cup	1
	CT-190	Nozzle Stainless		x	Air Inlet (1/4"PF)	1	
	CT-900	Nozzle w/Brush		22	CT-022	Air Inlet (1/4"PT)	
3	CT-101	Weighted Tube Ass'y	1	x	Air Inlet (1/4"NPT)		
4	CT-404	Valve Body	1	23	CT-023	Screw	1
5	CT-006-007	Pin	1	24		O-Ring 4.47x1.78	1
6	CT-006-007	Screw	1	25	CT-025	O-Ring 3.5x1.5	1
7	CT-009	Trigger	1	26		O-Ring 9x2	1
8	CT-008	Screw	1	27	CT-102	Gasket	1
9	CT-011-09-015	Screw	1	28	CT-228	Gasket	1
10	CT-010SK	Bushing	1	30	CT-030	O-Ring 2x1	1
11	CT-011	Gasket	1		In CT-010SK		
12	CT-012	Valve Stem	1				
13	CT-415	Spring	1				
14	CT-600	Inner Tube Ass'y	1		CT-420	CT-010,CT-011,CT-012, CT-025, CT-030,CT-415	
15	CT-700	Air Reverse Switch Ass'y	1				
16	CT-016	Screw	1				
17	CT-300	Cap (W/Hole)	1	RK	CT-200	Repair Kit Ref. No.-- 2, 3,27	
17A	CT-400	Cap (W/O Hole) (Option)	1	SK	CT-010SK	Service Kit Ref. No.-- 11, 13, 18, 24, 25, 26, 30	
18	CT-018	Gasket	1				
19	CT-419	Nut	1				

CT-420 Plunger Kit Includes: #10 CT-010, #11 CT-011, #12 CT-012, #13 CT-415, #25 CT-025, #30 CT-030

CT-200 Repair Kit: #2 CT-100, #3 CT-101, #27 CT-102

CT-010SK Service Kit Contains: #11 CT-011, #13 CT-415, #18 CT-018, #24 O'Ring, #25 CT-025, #26 O'Ring, #30 CT-030