

ABBA

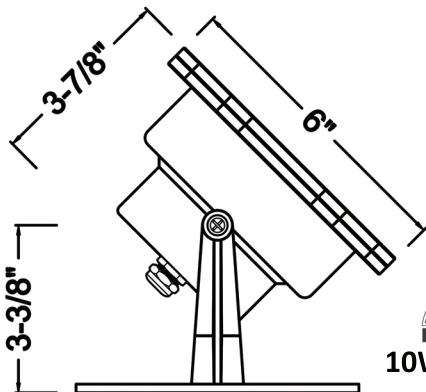
LIGHTING USA

12V Landscape Light Specialist

SPECIFICATION SHEET



ULB02




10W / 12W

Housing: Corrosion Resistant Cast Brass.

Faceplate: Cast brass with 316 marine grade stainless steel screws.

Finish: Antique Brass. Natural toning process. AB finish will vary due to artistic process.

Lens: Clear, tempered, and heat resistant glass.

Socket: Top grade loose ceramic bi-pin socket, spring loaded design.

Lamp: 12V, PAR36 Light Bulb 300W max. LED lamps preferred.

Gasket: Silicone *0" ring seals faceplate to housing providing water tight protection.

Applications: To be used in fountains, ponds, and waterfalls. Do not use in swimming pools, lakes or spas.

Wiring: Fixture is prewired with 18-2 SPT water resistant cord. The standard cord length is 20ft.

Mounting: Fully adjustable arms with solid brass thumb screws to provide light aiming. Fixture is mounted on a heavy duty brass bracket for a firm and stable underwater placement.

Electrical Notes: A remote 12V transformer required, Voltage range for 12V halogen lamps are 11V-12.5V. Voltage range for LED lamps are 9V-17V.

Warranty: Covered by 5 year limited warranty. Warranty is from date of purchase, not date of installation. Please retain proof of purchase.