

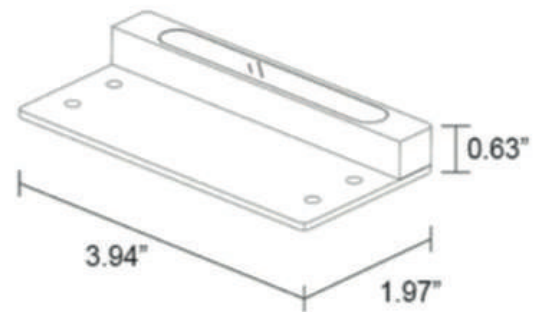
Pampa Lighting

STELVIO ANTIQUE BRASS HARDSCAPE LIGHT 3"

PRODUCT DESCRIPTION

Our high-quality, low-profile hardscape lights are perfect for tight spaces and are backed by the industry's best lifetime warranties. Comes with a brass bracket, which makes this light a one-of-a-kind, providing endless possibilities for mounting under benches, railings, overhangs, and even on walkways & pathways.

Our Stelvio low-voltage hardscape lighting is perfect for professional hardscape contractors and hardscape installers. Also available in Black



SPECS & FEATURES

Housing & Bracket: Solid Brass

Lamp: 2W LED 2700K

Color Temperature: Warm White 2700K

Lumens: 300

Lens: Frosted Lens

Wiring: 4" 18/2, SPT-2W UL wire + 4' lead wire with connector included.

Mounting: 3" Solid brass mounting bracket

Installation style: Hardscape Light/Retainer wall/
Floor-Pathlighting

Warranty: Limited lifetime warranty

Available in: Black and antique brass.



© Copyright 2023, Pampa Lighting San Diego, California USA • All rights reserved