

ABBA

LIGHTING USA

12V Landscape Light Specialist



STB02

INSTALLATION GUIDE

www.ABBALightingUSA.com

RATED VOLTAGE 12V AC/DC

Congratulations on your purchase of this high-quality product! We want to ensure that you have the best possible experience with it, so we kindly ask that you take a moment to carefully read and follow all instructions before assembly, installation, and use. By doing so, you'll not only guarantee correct function and safety, but also optimize the full potential of this exceptional product. Thank you for choosing us as your trusted provider of top-notch products - we truly appreciate your business!

IMPORTANT SAFETY INSTRUCTIONS

LIGHTEN LAMP IS **HOT!**

WARNING: TO REDUCE THE RISK OF FIRE OR INJURY TO PERSONS:

- ✔ Please exercise caution when using the lamp, as it tends to **HEAT** up rapidly. We recommend taking necessary safety measures to ensure optimal usage.
- ✔ For your safety, please refrain from touching the **HOT** lens, guard, or enclosure. We recommend waiting for the product to cool down before handling it.
- ✔ To prevent any fire hazards, please ensure that the lamp is kept away from materials that may easily catch fire. We appreciate your cooperation in maintaining a safe and secure environment.
- ✔ For safety reasons, we recommend that only a qualified professional install this electrical product.
- ✔ Before attempting to install this unit, ensure all power connections are off for your own safety.

WARRANTY

- We stand behind the quality of our product and offer lifetime warranty. Kindly ensure that you keep the proof of purchase as it will be required for any warranty claims.
- Warranty will be void if there is any damage due to improper usage or modification to the fixture.
- Failure to comply with the instruction in this manual may increase the risk of damage or injury and will void warranty.

CAUTION:

fixture(s) must be installed in accordance with all local codes and ordinances.
Do not instal within 10 feet of a pool, spa or fountain

INSTALLATION INSTRUCTION

To ensure optimal performance and safety, it is important to use our fixtures ONLY with a low voltage landscape transformer. This transformer reduces the voltage from 120V to 12V, making it safe and suitable for outdoor use.

When installing the fixture(s), please follow these instructions carefully:

1. Before installation, please ensure that the power is turned off for your safety.
2. To access the interior of the fixture, simply loosen and remove the two front screws, which will allow you to open the fixture. Hold the outlet against the wall at the desired height and orientation. Ensure it is level and aligned according to your preferences.
3. Using a pencil or marker, carefully mark the hole location on the wall of the outlet box.
4. Select an appropriately sized for the hole, which should match the diameter of the outlet box you are using.
5. Position the drill on the marked spot and gently drill hole into the wall at the marked location.
6. To prepare the hole required for securing the fixture for the screws, use a pencil or marker to meticulously mark the hole's location. Then, utilize a drill bit that corresponds to the size of the screws. Take care to ensure a clean and precise hole, exercising caution throughout the process.
7. Place the outlet box against the wall, aligning the screw holes you created. Take the screws and insert them through the holes in the outlet box one at a time.
7. For concrete installation, To begin, construct conduit raceways inside the concrete formwork by using one-inch dowels and PVC pipe before pouring the concrete. After the concrete has cured, remove the dowels and proceed to finish the outer surface of each riser if you are installing it in stairs.
8. Using a screwdriver, tighten the screws gradually and evenly, ensuring a secure attachment of the metal plate to the wall. Be cautious not to overtighten and damage the wall surface.
9. Confirm that the outlet box is firmly and evenly attached to the wall, without any wobbling or misalignment. Use a level to verify that the fixture is vertically aligned, as desired.

We recommend using **WN12** waterproof wire nuts (sold separately) for optimal connectivity.

10. Strip the insulation: Carefully strip approximately 3/4 inch (1.9 cm) of insulation from the ends of the two wires you wish to connect. Ensure that the bare metal ends are clean and free from any frayed strands.

11. Align the wires: Hold the stripped ends of the two wires together, aligning them neatly and ensuring that no stray strands are crossing over.

12. Insert the aligned ends of the wires into the wire nut, ensuring that they go all the way in. The bare ends should be completely covered by the wire nut. Twist the wire nut: Firmly twist the wire nut clockwise onto the wires, ensuring a secure connection. Continue twisting until the wire nut is tight and snug. Test the connection: Gently tug on each wire to ensure they are securely held by the wire nut. For added safety, it is recommended to apply electrical tape around the wire nuts and wires as an extra layer of protection.

13. Insert the bulb with the correct wattage.

14. Place the top cover of the fixture in position and proceed to secure it by tightening the screws firmly.

15. Remember to test the fixture after making any adjustments to ensure it is functioning correctly and that the lighting is set to your preferences.

16. Once the fixture(s) have been installed securely, it's time to turn on the power and enjoy the enhanced lighting experience! Locate the power switch or breaker that controls the fixture(s) and turn it on.

Take a moment to observe the lighting effect

Remember to regularly maintain and clean the fixture(s) to ensure optimal performance and longevity. Refer to the manufacturer's instructions for specific details on how to care for your particular fixture.



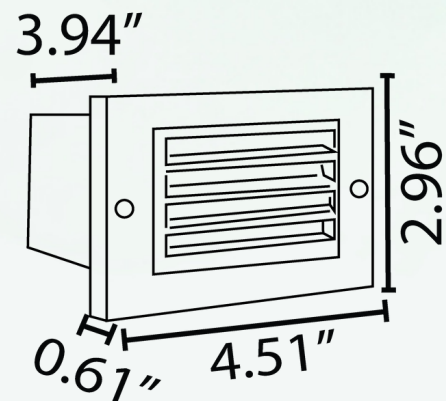
WN12



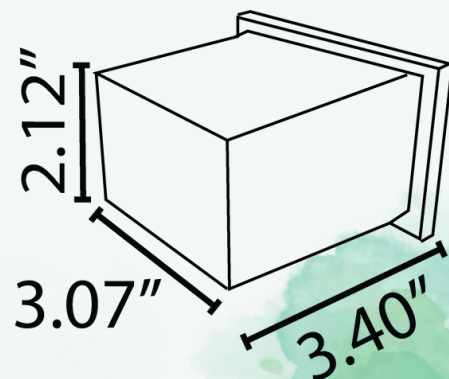
WN12

MAIN LINE

Attach the wires from the fixture(s) to the main cable, For best results, we recommend using WN12 waterproof wire nuts (which are sold separately)



FIXTURE WITH CASING



CASING