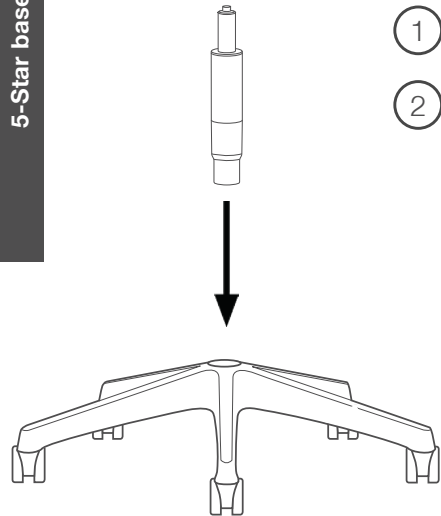


general assembly instructions

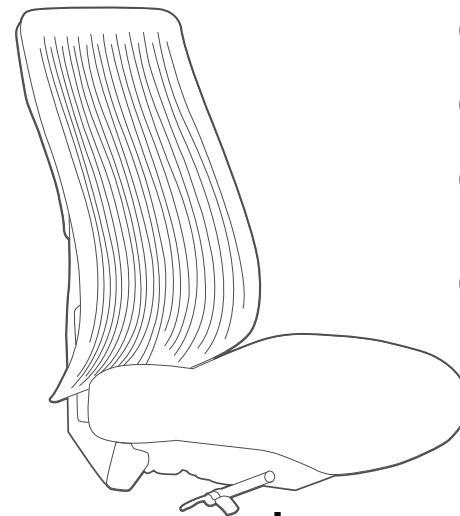
5-Star bases

- 1 Place base on level surface
- 2 Insert wider end of cylinder into center of base



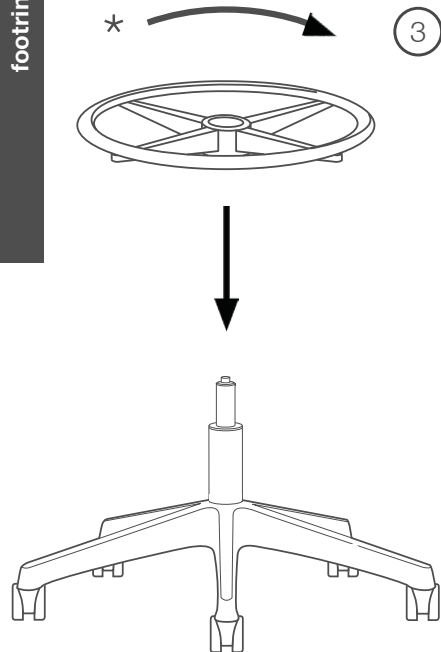
final assembly steps

- 4 Lower chair top snugly onto cylinder
- 5 Activate cylinder to its lowest point
- 6 Sit in seat to engage chair top and mechanism connection
- 7 Carefully square your body weight onto the chair top to fully secure into cylinder and base

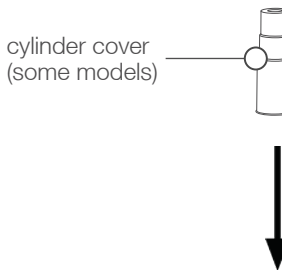


footring

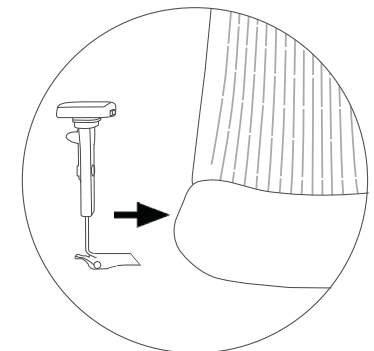
- 3 Position footring as illustrated and slide down onto cylinder
- Tighten handwheel to secure.
*If footring has no handwheel, twist the entire footring clockwise to secure.



cylinder cover (some models)



optional arm assembly



While holding the lever under the arm, drive the lower L-frame into the receiver under the seat until it is locked.