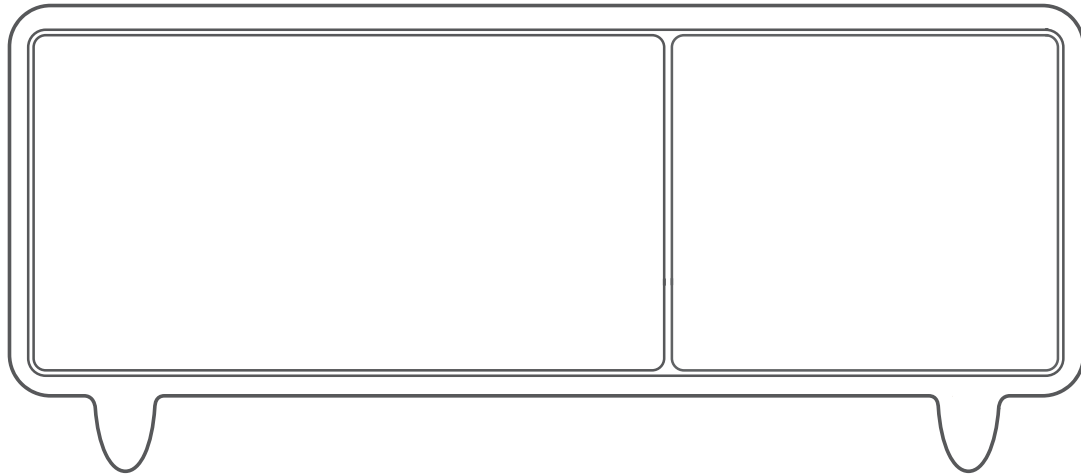


SMART MINI TABLE

— Innovative Smart Furniture —

User's Guide



Contents

Company profile	01
Smart coffee table mini preparation steps before use	02
Safety precautions in the Smart mini table	03
Main functions of the Smart mini table	05
Smart coffee table mini features detailed description	06
Power cord placement recommendations	07
The name of each part of the Smart mini table	08
Instructions for the main functions of the Smart mini table	
Refrigerator use tips and food storage recommendations	09
Cooling room usage tips and food storage recommendations	10
Power supply platform	11
Wireless charging module	12
USB charging	13
Use of ice water connection in Smart mini table	14
Daily care and maintenance of the Smart mini table	15
Removal and deactivation of the Smart mini table	17
Non-fault phenomenon	18
Troubleshooting	19
Technical parameters and packing list	20
Smart coffee table mini warranty description	21
User notice	22

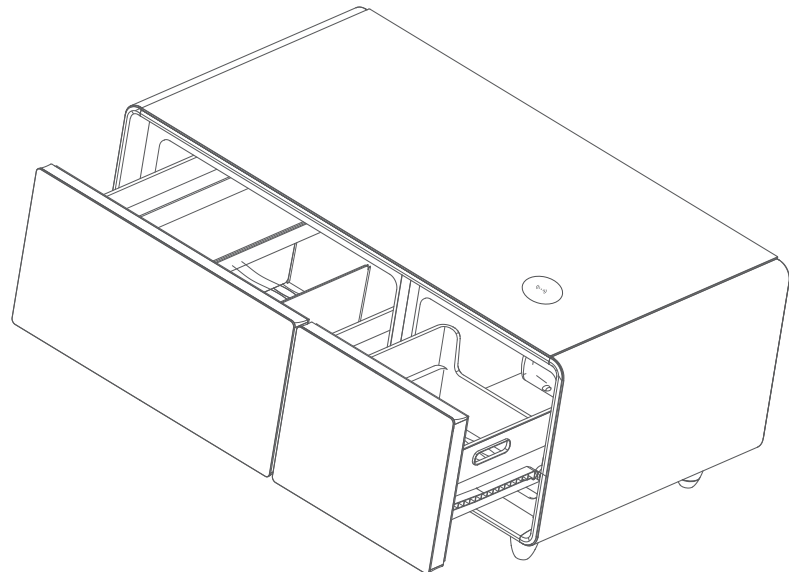
Company Introduction

LIVTAB uses innovative cross-border thinking to create furniture & home appliances integrated and intelligent products. Provide high-end users with a comfortable, convenient and high-quality new living room living experience through integrated furniture & home appliance solutions.

Smart Mini Table -The Coffee Table with refrigerator is a smart home appliance & furniture product newly created by LIVTAB based on the new family lifestyle. It can efficiently meet the beer cola, tea, fruits, snacks, etc. you need in the living room.

Smart Mini Table

- Double refrigerator
- Power socket
- Wireless charging
- USB interface
- Ice water interface



Preparation steps before using the smart mini table

Remove all packaging components

The foam foam including the foam base and fixing accessories must also be removed. Tear off the transparent film on the surface, so as not to affect the normal heat dissipation of the smart coffee table mini. **⚠ It is forbidden to use foam mats in the smart mini table .**

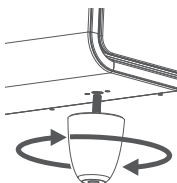
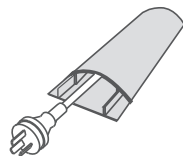
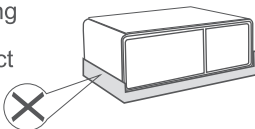
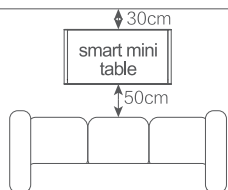
(Reminder: It is recommended to keep the packing box for 30 days to prepare for after-sales needs.)

Count random attachments and materials

Please check the contents in the box according to the contents of the packing list (see "Packing List of Smart Mini Table " on page 20 of the manual).

Place the smart mini table to a place that meets the following conditions

1. When there is no ground plug and carpet protection, please install the included pressure wire groove to prevent foot pedal and damage the power cord.
2. Avoid humid, cold environments and direct sunlight.
3. There should be more than 40 cm space in front of the smart coffee table mini, the best distance from the sofa is about 50cm.
4. The smart mini table should be placed on a flat and solid ground. If you need to cushion it, you must also choose a stable, hard and non-combustible block. If there is a little instability, you can adjust the adjustable feet of the smart coffee table mini to raise it.



Please clean before use

(Please refer to the section "Daily Care and Maintenance of Smart Mini Table " on page 15 for cleaning methods.)

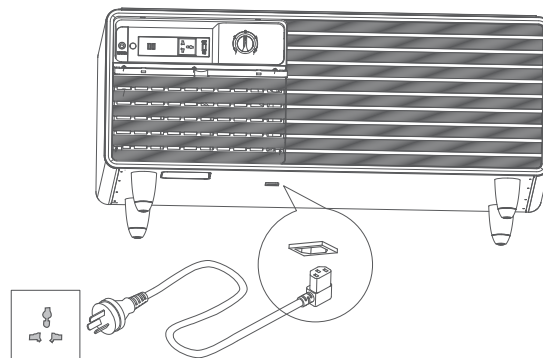
Stand still

After the smart mini table is leveled and cleaned, do not turn on the power. Let the cafe stand for more than 2 hours, and then turn on the power to ensure normal operation.

Electrical connection

After standing for 2 hours, check the power socket and the USB for water vapor or foreign objects. After checking, you can connect the power cord (the power socket of the tea bar is at the bottom). Fix the power cord before connecting the power cord. Sufficient length is left at both ends to facilitate plugging and unplugging so as to prevent the power cord from wearing down, shorten the service life or trip the user.


⚠ The power of external electrical appliances cannot exceed 2000W! Do not use an external patch panel!





Safety precautions in the smart mini table

Dear smart mini table users:
Hello! Thank you for using LIVTAB products.
In order for you to better read this manual
and use the product to prevent personal
injury and damage to items, please read and
follow the contents of the following symbols
in this manual carefully.

 **Warning**
If the operation is
wrong, the user may be
injured

 **Notice**
If the operation is
wrong, it may cause
damage to items and
property

 Behavior or operation
that must be followed

 Acts or operations that
must be prohibited

Electrical

Power cord and plug

- ⊗ After purchasing the product and turning on the power, you must install the included power cord crimping groove to prevent the shoes from stepping on the power cord for a long time, resulting in the risk of leakage on the surface of the power cord.
- ❗ The power cord plug should be kept in firm contact with the socket and the product, otherwise it may cause a fire!
- ❗ In order to prevent the damage of the power cord, do not let the bottom corner of the box press the power cord or artificially step on the power cord. When moving the smart mini table, please be careful not to roll the power cord.
- ❗ Do not pull the plug of product by pulling the power cord. Be sure to hold the plug tightly and pull it directly from the socket. Before cleaning, repairing and replacing damaged lighting equipment, the power plug of the product must be unplugged to prevent electric shock.
- ⊗ When the power cord is damaged or the plug is worn, do not use it. You must replace it at a repair point designated by the manufacturer or an online store.



Note: The products using R600a refrigerant must be repaired by professionally trained maintenance personnel. Pay attention to fire prevention when repairing! The waste product is recycled by a professional company, please do not discard it at will.

Power supply

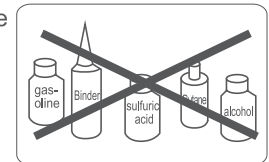
- ⊗ This series of products use AC power supply. If the voltage fluctuation range is large it will cause trouble or even damage to the smart coffee table mini. At this time, an automatic voltage regulator above 750W must be installed for use.

Ground

- ❗ An independent special socket must be used and be reliably grounded. The power cord of the hall is equipped with a three-wire (ground) plug and conforms to the standard three-wire (ground) socket. Under no circumstances should you cut off or remove the third pin (ground) of the power cord.

Storage

- ⊗ The refrigerator in the smart coffee table mini is only suitable for storing food, and cannot be used for other purposes, such as storing blood and biological products.



- ❗ It is strictly forbidden to put inflammable and explosive dangerous goods, as well as strong corrosive acids, alkalis and other chemicals in the smart mini table.

Safety precautions in the smart mini table

Wireless charging device

- ❗ When the mobile phone is equipped with a thick protective case, a metal protective case or a battery case, it may affect the charging efficiency, and it is necessary to remove and recharge when necessary.
- ❗ The wireless charging device may generate heat during charging. If the battery is overheated, the software may limit charging. When the temperature drops, you can recharge.
- ⊗ When using a wireless device for charging, do not connect your phone to a computer using USB, or to a USB power adapter, otherwise the phone will use a USB connection to charge, and the wireless charging device will not charge.

Power supply platform

- ❗ In order to prevent short circuit and ensure safety, care should be taken to prevent liquid from flowing into the power interface. Do not use a cloth with water to wipe the power connector during cleaning.
- ⊗ Avoid plugging and unplugging with wet hands. Water is on your hands to plug and unplug the plug. Water is a conductor, which can cause electric shock.
- ❗ The rated current of the electrical appliance inserted in the socket should not exceed 1320 W, and it will be overloaded for a long time. Once the temperature is too high, it will cause a fire. The use of external patch panels is prohibited.

USB

- ❗ In order to prevent USB short circuit and to ensure safety, care should be taken to prevent liquid from flowing into the USB interface. Do not wipe the USB port with a cloth with water when cleaning.

Service

It is strictly forbidden to dismantle or transform the smart mini table without permission, and it is forbidden to damage the refrigeration pipeline. The repair of the smart mini table must be carried out by professionals.

Place the environment

- ❗ The smart mini table should be placed away from heat sources and avoid direct sunlight, so as not to affect the performance of the smart mini table.
- ⊗ It should be placed in a well-ventilated place. There should be more than 10cm of space around the smart mini table including the back.
- ⊗ Do not place it in a humid or splashy place. The water and dirt on the surface should be cleaned with a soft cloth in time to prevent rust and affect the electrical insulation performance.
- ❗ To ensure safety, it is recommended not to place electrical outlets, regulated power supplies, microwave ovens, and other electrical appliances on the counter surface of the smart mini table. Do not use electrical appliances inside the smart mini table to avoid electromagnetic interference or other accidents.
- ❗ Do not place unstable items (heavy objects, containers with water) on the upper part of the smart mini table to avoid injury or water leakage.
- ❗ Near the smart mini table, do not store or use gasoline and other flammable items to avoid fire.
- ❗ When there is leakage of flammable gas such as gas, close the gas leakage valve immediately, and then open the doors and windows. Do not unplug or plug the power plug of this product and other electrical components.

Clean

Do not spray or rinse the product with water, and do not place the smart mini table in a wet or splashed area to prevent rust and affect the electrical insulation performance, and may cause electrical shorts and fire. When the power is cut or cleaned, the power plug should be unplugged for at least 5 minutes before the power can be switched on again to prevent damage to the compressor due to continuous startup.

Main functions of the smart mini table

Product main function

1. Cold room

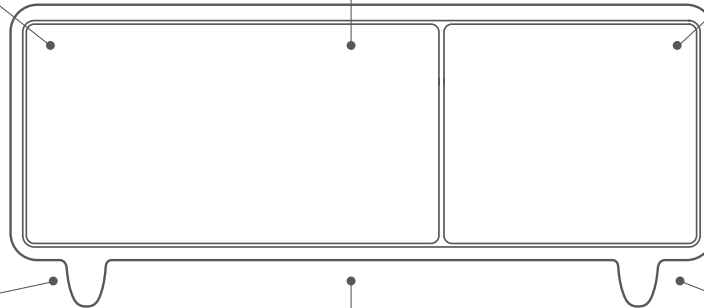
Refrigerate and keep fresh at 1-8 ° C. Keep beer, cola, tea, fruits, snacks, etc., avoid storage with fresh food in the kitchen, pick up instant food, healthy and convenient

2. Ice water interface

In order to make it easy for customers to enjoy iced water / hot tea in the living room, we design a water inlet opening that runs through the refrigerator drawer (where the water storage tank is placed) on the left inside of the hidden box at the back of the smart mini table

3. Cooling room

6-12 °C cooling room, can hold fruits, vegetable salads, braised snacks, etc., cold but not cold, food taste better.



4. Wireless charger

10W wireless charger, surging power, charge your smart device at any time around the smart coffee table mini.

5. Power supply

The power supply (rated power below 1320W) socket allows you to connect a kettle, projector, speaker, camera, etc. on the coffee table mini to meet the daily needs of the living room. Note: The power of external appliances cannot exceed 1320W! Do not use an external patch panel!

6. USB socket

Dual USB sockets to meet your other mobile device charging and operation needs.

Smart mini table features detailed description

Refrigerated storage room, food partition storage without odor

In the smart mini table, the two storage drawers are set as refrigerated storage drawers, which can store beer, coke, tea, fruits, snacks, etc., enjoy their respective partitions, and accurately adjust the temperature and treasure.

Design of high-efficiency compressor refrigeration system

The smart mini table adopts the design of the compressor mechanical direct cooling system. In the working state, it can automatically adjust the switching time according to the changes of the internal and external temperature of the refrigerator and the amount of stored food.

Power socket

The smart mini table is equipped with a power socket, which can provide users with electricity needs for various living room appliances. The power socket is equipped with a safety switch. When the household appliances use too much power and exceed the safety range, the safety switch will automatically cut off the power to avoid danger.

Wireless charging settings

A 10W wireless charger is installed on the counter of the smart mini table, which can provide surging power for your smart devices at any time.

USB socket

There is also a dual USB socket on the back of the smart mini table to meet the needs of charging and using electronic devices.

Water interface interface

The smart mini table has reserved drinking water holes in the refrigerated small drawer box to meet the user's demand for direct drinking of ice water and automatic water supply for burning tea.

Front front welcome LED light

The front welcome LED light on the top achieves clear lighting while creating an atmosphere. The light is evenly distributed and the user experience is better.

Partitioned storage device

In order to make more effective use of storage space, we added a box that can slide left and right on the top of the drawer to provide users with more free and flexible storage space. In view of the characteristics of the small amount of refrigerated food in the living room and the large number of categories, we designed two partitions in each refrigerated drawer, which is convenient for food classification and partition storage.

Removable door seal

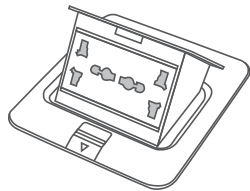
The dismantling of door seals will ensure that the refrigerator is sealed for a long time, which facilitates daily cleaning and maintenance and reduces energy consumption losses.

Power cord placement recommendations

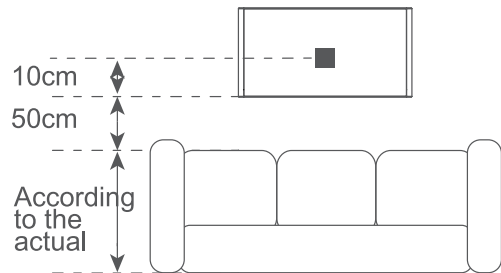
Still struggling with the placement of the power cord in the smart mini table? At the beginning of research and development, we paid attention to this problem. After repeated verification, we currently recommend the following three safe wiring methods to users.

01

Suggestion: Friends who are renovating or plan to renovate, please remember to put it in the reserved place in the smart mini table!

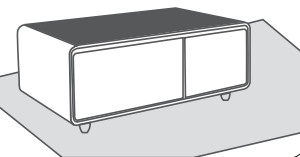


Suggestions for ground insertion:



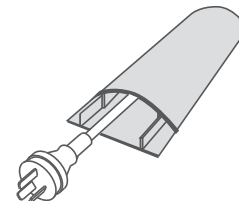
02

Please purchase an exquisite carpet, in addition to the atmosphere of the living room, you can quietly hide the power cord of the smart mini table!



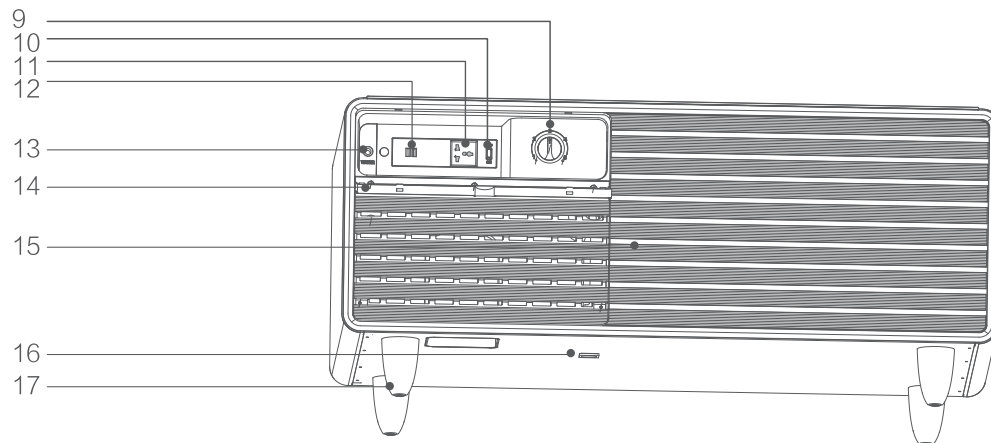
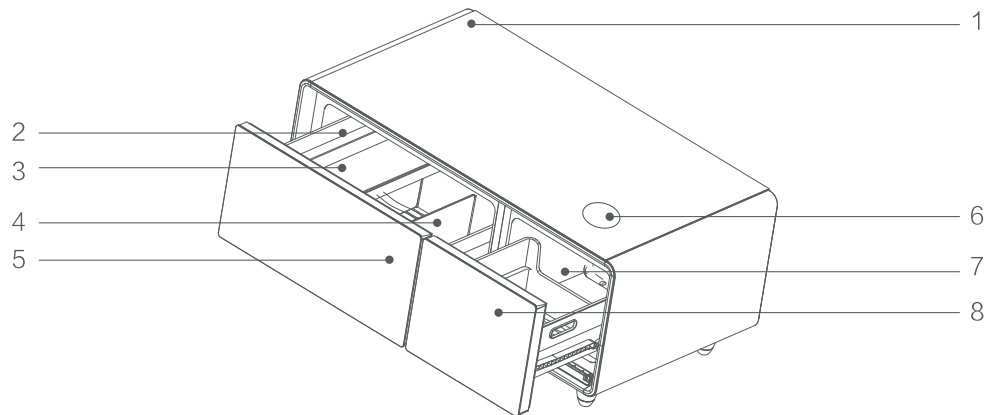
03

The smart mini table will include a crimping groove in the cargo list, and the installation of the crimping groove! The power cord can be fixed to prevent tripping, and it is easy to disassemble.



The name of each part of the smart mini table

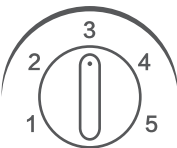
All illustrations in this manual are schematic diagrams, and some features and devices may not be completely consistent with your smart mini table. For specific structure and configuration, please refer to the product.



- 1.Tempered glass countertop
- 2.Left refrigerator drawer
- 3.YOYO Pan
- 4.Partition
- 5.Left refrigerator door
- 6.Wireless charging module
- 7.Right cooling chamber
- 8.Right cooling door
- 9.Mechanical temperature control
- 10.Outlet protection
- 11.Power socket
- 12.USB interface
- 13.Ice water interface
- 14.Rear shell flip door
- 15.Rear shell
- 16.Smart mini table power interface
- 17.Foot

Instructions for the main functions of the smart mini table

* The smart mini table uses mechanical manual temperature control, and the factory default gear is 3 gears; food refrigeration is divided into five gears. The higher the gear, the lower the corresponding refrigeration temperature. Such as: the factory is set to 3 gears, adjusted to 4-5 gears to increase the cooling effect; adjusted to 1-2 gears to weaken the cooling effect.



Tip: If you want to cool down quickly, you can adjust it to 5 gears in advance, and you must adjust it to 4 gears after the temperature reaches. When the temperature setting changes, the temperature in the box will reach equilibrium after a period of time. And the length of this period depends on the size of the temperature setting change, the level of the ring temperature, the frequency of door opening, etc.

Refrigerator use tips and food storage recommendations

Precautions for storing food

1. The cold room is used to store fresh food. Good storage method is an important factor that affects the freshness and deliciousness of food.
2. Do not store food that is easily damaged at low temperatures. Such as bananas and cut tropical fruits, excessive cooling will discolor the food and reduce the vitamin content.
3. Hot food should be put in after cooling, otherwise the temperature in the refrigerator will increase, affecting the freshness of other foods. The number of door openings should not be too frequent. When the door is opened, hot air will run into the cabinet, causing the temperature in the cabinet to rise.
4. Please use plastic wrap or plastic bags to seal the container or use a container with a lid to store food, to avoid the evaporation of water from the food, to preserve the flavor and nutrition of the food, and reduce the odor in the refrigerator.

Tips for use and storage

1. Food should be washed when stored in the smart mini table. Vegetables and fruits should be scrubbed and the packaging of the food should be scrubbed to prevent affecting the storage of nearby food.
2. The bottles should be arranged close together to prevent the bottles from tipping and falling when the bar door is opened.
3. The height of the food placed in the drawer cannot exceed a certain height, otherwise it will cause the drawer not to close properly.
4. The partitions in the drawer of the refrigerator compartment can be used to classify different types of food, and the partitions can be adjusted according to needs. If the food volume is too large, the partition can be removed.
5. The sliding tray on the drawer of the refrigerator compartment can be used to store the washed fruits (such as grapes, strawberries) without using the fruit tray.
6. The temperature of the left and right refrigerator compartments can be independently controlled. The temperature of the refrigerator compartment can be adjusted according to the characteristics of the food. For details, please refer to "Food Storage Temperature Recommendations".

Instructions for the main functions of the smart mini table

Cooling room usage tips and food storage recommendations

Precautions for storing food

1. Hot food must never be placed in a running cooling box.
2. Do not put the quick-frozen food with broken or unsealed packaging directly into the cooling room, you must add a plastic bag to the packaging, and tie the bag tightly to prevent the product from drying or oxidation.
3. When using a tea set, a water storage bucket needs to be placed in the small drawer cooling chamber.
4. Do not put the refrigerator drawer too full, which will affect the cold air convection of the compartment.
5. Refrigerator drawers are prohibited from storing chemicals.



Instructions for the main functions of the smart mini table

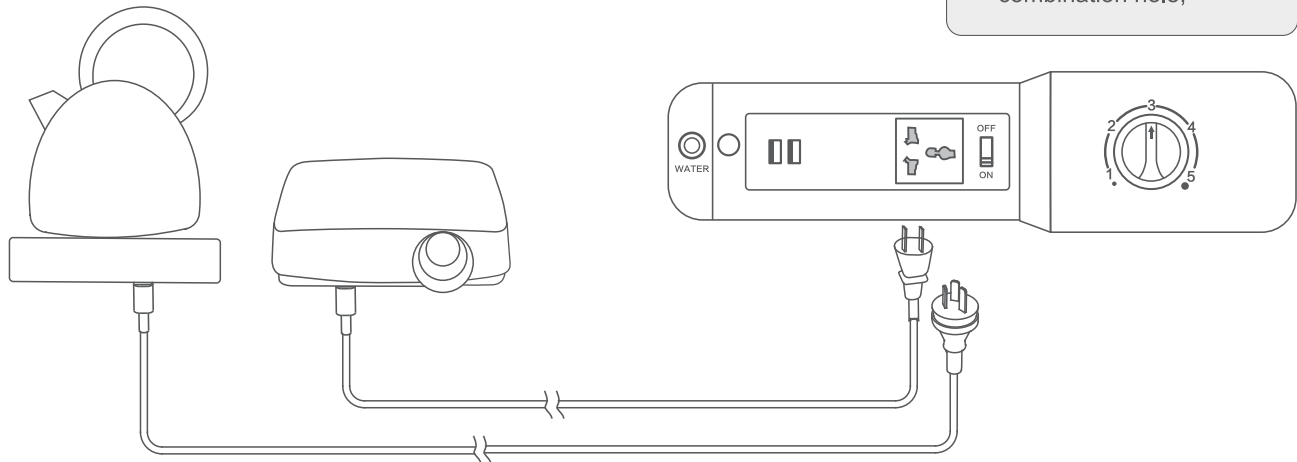
Power supply (The power of external appliances cannot exceed 1320W! Do not use the external plug-in board.)

The smart mini table is equipped with a power supply platform interface, jack current 10A, which can meet the power supply of two plugs and three plugs for electrical appliances, such as teapots, coffee machines, smart speakers, projectors, laptops, etc. Electrical appliances can be directly connected to the power socket through the power cord when the power is on, and the household appliance can be started.

Notice: Do not drop water drops into the power jack; do not clean the surface with a damp cloth; Do not use electrical appliances that exceed 1320 W rated power; do not use external plug strips; If you find abnormal heating in the power socket, please cut off the power immediately and stop the operation of the connected electrical appliances. If the overload protection switch is turned off, the high-power electrical appliances should be investigated first, and then the switch is turned on again.

Multiple protection, safe and secure:

- * Overload protection;
- * 5000 times insertion and removal;
- * The shell is flame retardant at 750 °C;
- * Double-action safety door;
- * Hidden reminder light;
- * New national standard combination hole;



Instructions for the main functions of the smart mini table

Wireless charger

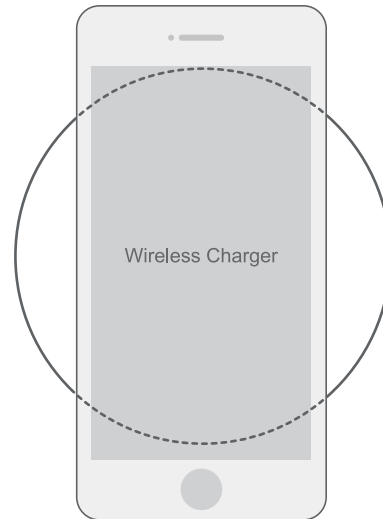
The universal fast charging version of the wireless charger installed on the countertop of the smart mini table supports charging of models conforming to the Qi standard.

* The wireless charger only charges the models with wireless charging. For mobile phones without wireless charging, a wireless receiver is required.

Input voltage	9V input
Input power	10W (max)
Sensing distance	≤4mm
Working frequency	110K-205K Hz
Operating temperature	-10°C to 65°C
Working humidity	10%RH to 80% RH

Precautions:

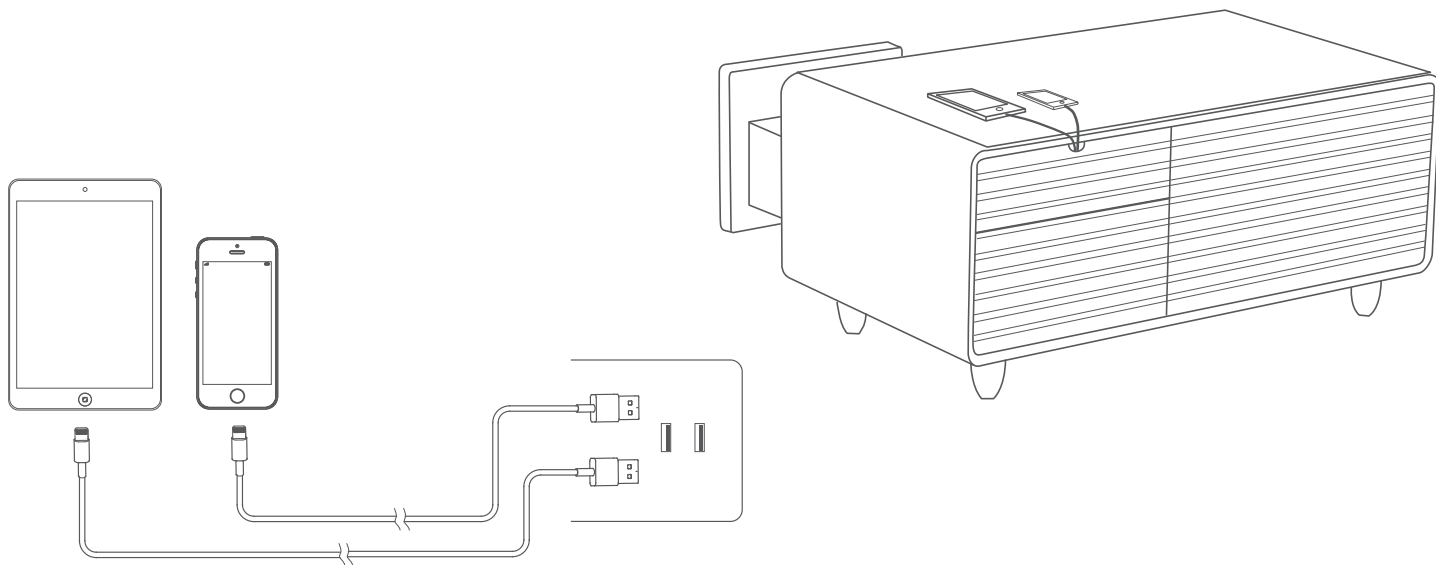
1. When the smart coffee table mini power supply is turned on, the wireless charger will start at the same time, and you can charge it by putting on a smart device.
2. Place the smart device in the center of the wireless charger circle logo as much as possible to avoid deviating too far and affecting the charging efficiency.
3. When charging the smart device, please make sure that there are no other metal foreign objects between the mobile phone and the countertop, so as not to generate excessive heat during charging and damage the charger.
4. The protective cover of the smart device should not be too thick, so as not to affect the charging efficiency.
5. When the surface temperature of the charger is too high, please suspend charging to avoid damage to the charger. After cooling, you can continue to charge.
6. When charging with a wireless device, do not connect your phone to a computer with a USB, or to a USB power adapter, otherwise the phone will use a USB connection for charging, and the wireless charging device will not charge.



Instructions for the main functions of the smart mini table

USB socket

The smart mini table is equipped with two 5V2.1A USB ports, which can be connected to common devices such as mobile phones, tablet computers, desktop speakers and other common devices through a USB data cable to enable charging or start smart devices. The carefully set cable box can store the excess and exposed power cord inside the cable box, beautiful and neat!

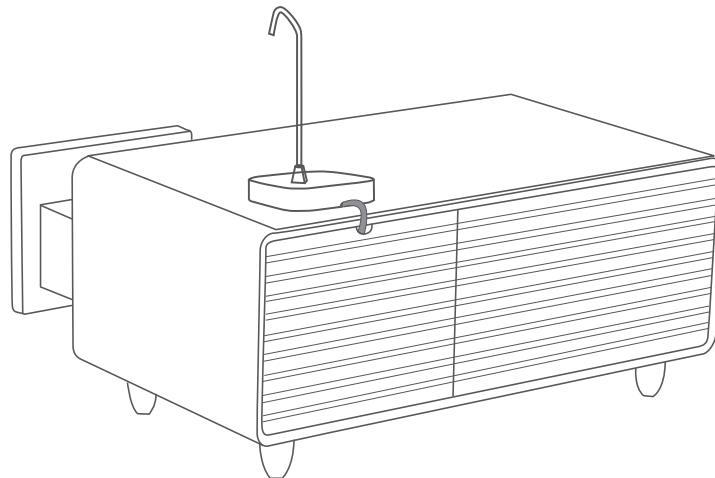
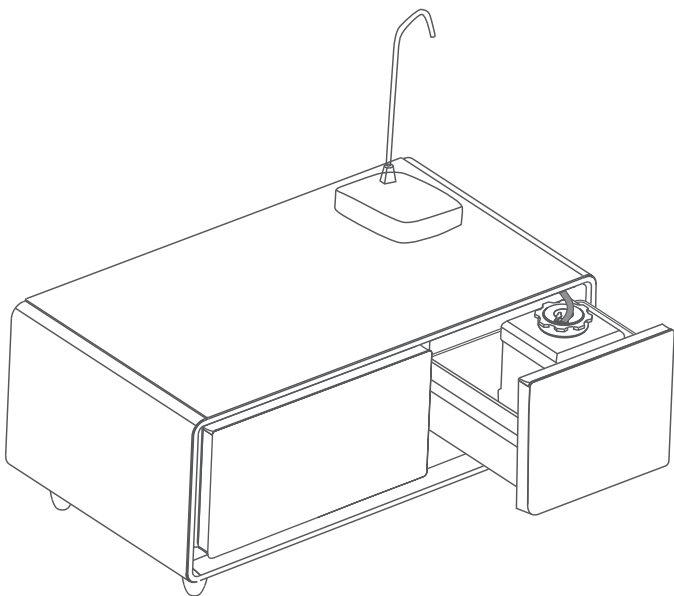


Instructions for the main functions of the smart mini table

Use of ice water connection in smart mini table

In order to make it easy for customers to enjoy iced water / hot tea in the living room, we design a water inlet opening that runs through the refrigerator drawer (where the water storage tank is placed) on the left inside of the hidden box at the back of the smart mini table . As long as you have an automatic water heater / automatic water heater and a power connector, you can meet the daily needs of drinking ice / hot tea on the coffee table.

Note: Soft water pipe (within 8mm diameter), automatic water heater, automatic water heater, water storage tank (size: length 300X width 261X height 240mm) need to be purchased separately.



Daily care and maintenance of the smart mini table

Cleanliness of the smart mini table


The food left in the drawers of the smart coffee table mini will produce an unpleasant smell, so the drawers need to be cleaned regularly.

1. Unplug the power plug before cleaning, cut off the power, do not pull the plug with wet hands to ensure safety.
2. Do not disassemble with force, it may be damaged.
3. Wipe with a soft cloth moistened with neutral detergent, and then wipe dry with a clean soft cloth.
4. Do not apply force after wiping the rear panel, so as to avoid deformation of the rear panel or clean water flowing into the interior through the mesh and causing a short circuit.
5. After cleaning, please check whether the power cord is damaged or wet? Is the plug overheated? Is there any residual water in the USB and power connector? If everything is normal, you can plug in the power supply.
6. Before plugging the power supply into the power outlet, first clean the parts around the electrical appliance, and then wipe it off with a soft dry cloth or sponge after cleaning to prevent water or other liquids from remaining inside the electrical appliance and causing electric shock Danger.

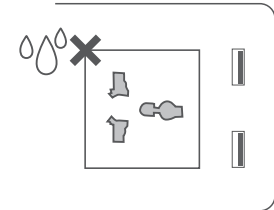
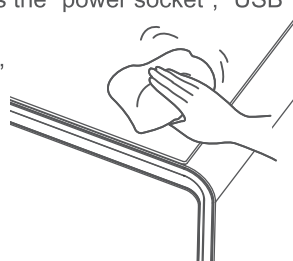
Tip: The door seal tape is easy to get dirty, please keep it clean. Clean door seal strips can ensure that the smart mini table has a good sealing effect and avoid unnecessary power consumption.

 **warning** In order to prevent electric leakage accidents, do not use water spray to rinse the smart coffee table mini when cleaning.

Use a dry cloth to clean the electrical components such as the "power socket", "USB", "knob" and "switch" at the rear.

 **notice** In order to prevent damage to the smart coffee table mini , please do not use the following substances when cleaning:

1. Acid or weak alkaline kitchen cleaner.
2. Powdered cleaning products like grinding powder.
3. Benzene, sodium natrium water, alcohol, various acids, petroleum, etc.
4. Hard brush, abrasive sponge brush, etc.
5. Hot water.



The smart mini table is very heavy. When the mobile products are cleaned and repaired, please protect the ground. Keep the glass of the smart mini table counter upward when moving. Do not shake and move to avoid accidentally injuring the floor. When cleaning, do not use hot water to clean the cold glass partition and YOYO Pan. Prevent the glass from breaking due to rapid temperature changes, causing personal injury and property damage.

During the cleaning process, please do not touch the inside back of the smart mini table with wet hands to prevent the skin from sticking to the back panel. Also don't put your hand under the hall, metal corners may cause scratches.

Daily care and maintenance of the smart mini table

Removal and cleaning of refrigerated fresh-keeping drawers

Before removing the refrigerated drawer, please remove the YOYO pan and the drawer partitions to empty the contents of the drawer; pull the door and the large drawer together until it cannot be pulled, and then lift the outside of the entire set of drawers upward and pull it slightly outward. The drawer can be lifted and taken out; The drawer, YOYO pan, drawer partition can be rinsed with water, and then wiped clean with a dry soft cloth.

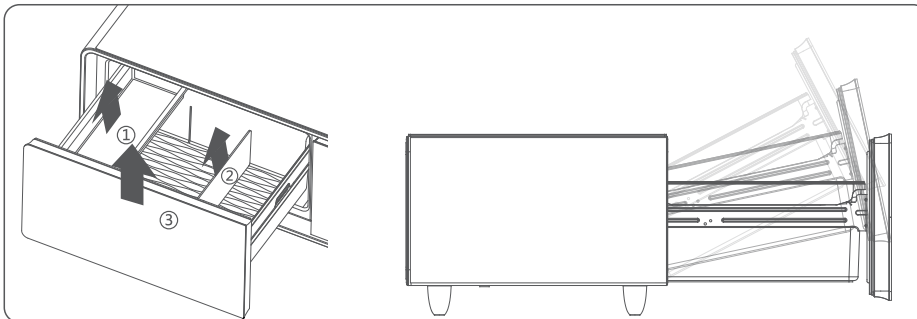
Regarding defrosting: the refrigerator compartment can automatically defrost. The defrosting water flows through the lower end of the back to the sink, and then flows out from the water outlet to the water receiving tray at the rear of the smart coffee table mini, and the compressor heat is naturally evaporated.

About cleaning of door seal

When the door and door seals of the smart mini table become dirty, it is easy to cause aging and damage, and the door body cannot be closed normally and there will be leakage of cold air, so it must be clean. When cleaning the door seal, you must clean it with clean water and wipe it with a dry cloth.

Safety inspection after cleaning


Whether the power cord is fully inserted into the socket and the smart mini table ;
Whether the power cord is cracked and scratched;
Whether the power cord plug has abnormal heating conditions;
Is there any foreign matter and liquid remaining in the power supply and USB interface?

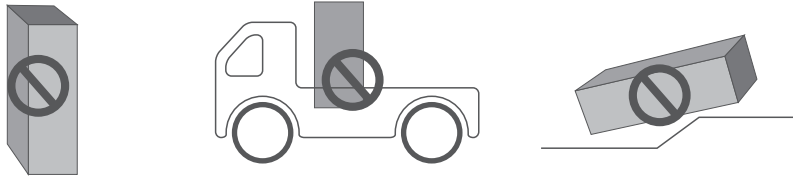


Removal and deactivation of the smart mini table

Transportation in the smart mini table


1. Unplug the power plug and cut off the power.
2. Remove all items from the refrigerator.
3. Fix the partitions of the refrigerator compartment and moving parts such as YOYO Pan with tape.
4. Close the refrigerator door and fix it with tape to avoid being opened when moving

 **Notice** At no time should the tea bar be laid down. When moving the smart mini table, the maximum inclination angle should not exceed 45 degrees, (the angle between the vertical direction), so as not to cause the failure of the refrigeration system and affect the normal use



Deactivation of the tea bar


After a power outage, even in summer, within 1-2 hours, it will not affect the temperature inside the refrigerator. After the power failure, do not put in new food, try not to open the door. If you know in advance that there is a power outage, you can put some ice cubes in a watertight container and put them in a drawer.

 **Warning** The temperature rise of the refrigerator compartment caused by power failure or other failures will shorten the storage period of food and reduce the quality of its consumption.

Stop using

If the smart mini table is out of service for a longer period of time, you should unplug the power plug, cut off the power, and clean the tea bar as described above.

The refrigerator door should be opened when the refrigerator is stopped to prevent the bad smell of trace food residues in the product.

 **Notice** After unplugging the power supply, keep the interval at least five minutes before plugging in again. Under normal circumstances, don't start and stop the product frequently, so as not to affect the service life of the product. After the appliance is scrapped, it should be properly disposed of or handed over to a professional for disposal. Do not throw it away casually, so as not to cause harm to the environment or cause other dangers.

When going on vacation

If you are going on vacation for a long time, please turn off the power, clean the interior, and dry the door of the smart mini table to prevent the bad smell of trace food residues in the product.

1. Turn off the power. 2. Remove the food. 3. If necessary, please refer to the methods described in "Cleaning the Smart Mini Table" on pages 13 and 14 to clean the smart coffee table.

Non-fault phenomenon

1. Fog condensation appears on the outer surface of the smart mini table :——In the season with very high humidity, such as the rainy season, condensation may occur outside the box, which is the same as the ice water pouring into the glass to cause condensation , Not a malfunction. It can be dried with a dry cloth.
2. There is a "sizzling" running sound in the smart mini table : This is the flow of refrigerant, which is normal.
3. The voltage is too low, the compressor does not start:-equipped with a power supply regulator of more than 500W.
4. Long boot time: In summer, it is normal for the boot time to be longer due to the higher ambient temperature.
5. The smart coffee table mini has a slight "pop" sound when working:-It is caused by the thermal expansion and contraction of the inner tank and the refrigeration line.
6. The smart mini table has a "buzzing" vibration sound:-When the smart mini table is working, the compressor will emit a slight "buzzing" sound. If the smart coffee table mini is not placed smoothly, vibration and noise will also be generated, please adjust the foot of the product according to the relevant content of the manual.
7. The wireless charger cannot be charged:-It is possible that the charging coil does not match, please ensure that the smart device meets the charging standard of the Qi protocol.
8. The charging delay of the wireless charger:-It may be caused by the smart device deviating from the charging area, please make sure to place it in the middle, and there is no foreign object between the smart device and the charging table.
9. 220V power supply is not powered:-Please make sure there are no water droplets or foreign objects in the power jack, check whether the smart mini table is powered, and then make sure that the switch on the right is turned on.
10. USB can not be charged:-Check whether the smart mini table is powered on, and then make sure that the switch on the right is turned on. If it still cannot be used, please contact the after-sales to check the reason.
11. The bottom of the gallbladder in the refrigerator room is damp or has accumulated water:-Check whether the water outlet on the water receiving tank is blocked.
12. The compressor keeps running for a long time: ——Whether the temperature setting is too low. Whether the smart mini table door is open for a long time. Whether the food put in the smart mini table is too hot. Is the smart mini table exposed to direct sunlight or a high temperature heat source nearby? Whether the food is placed too densely affects the cold air flow in the smart mini table.

Troubleshooting

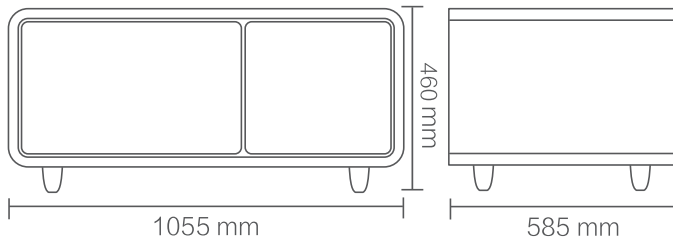
Analysis and elimination of simple faults

Fault phenomenon	Cause	Elimination method
The power indicator light is on, the compressor is not working properly, only humming	Power supply voltage is lower	Immediately shut down and restart after the voltage is normal.
The compressor starts, stops within a minute or so, waits for a few minutes to restart, and so on	The power supply voltage is higher	
The compressor runs for a long time, and the surface of the evaporator is frost-free	Pipeline leaks, refrigerant leaks	Need to send to the maintenance department for inspection
	Blocked pipeline	Need to send to the maintenance department for inspection
Frost on the surface of the evaporator and the compressor keeps running	Evaporator frost is too thick	Defrost in time
	Too many door openings, too long	Minimize the number of door openings
	Too much food	Remove some food properly
	Poor cooling of condenser	Choose proper air circulation space
	The thermostat is out of order or the temperature sensing tube is separated from the evaporator	Must be sent to the maintenance department for inspection
The smart mini table does not work and does not cool	The fuse is blown (the power indicator is off)	Replace the fuse
	Input control circuit failure (power indicator is not on)	Need professional maintenance
Excessive noise	The cabinet is placed unevenly	Flat feet
	Loose fasteners	Fastening loose parts
	There is a collision between the pipelines	Separate the tube
Refrigerated, but the hand touches the cabinet feels a slight hemp inductance, and it is slightly bright with an electric pen	Induction electricity makes the pen bright or damp	Check whether the grounding is good and connect the ground wire properly

Technical parameters and packing list

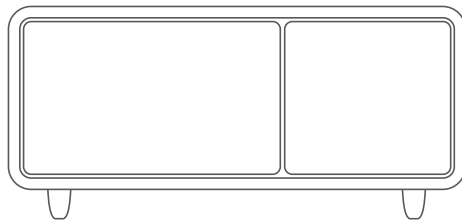
Technical Parameters

The company pays attention to technical updates and continuous improvement. Its model, structure, technical parameters, and circuit diagrams may not be completely consistent with this manual. At this time, the specific parameters should be based on the product nameplate, and I apologize!

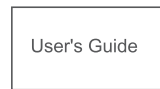


Power consumption	0.35KWh/24h	Package dimensions	1115*660*505
Noise	36db	Temperature control method	Mechanical temperature control
Input voltage	110V/220V 50Hz/60Hz	control method	Compressor / direct cooling
Net weight	39KG	Refrigerant / charge volume	R600a
Gross weight	45KG	Refrigerated volume	65L+28L
Operation control	Mechanical knob control	Refrigerated temperature zone	1°C - 8°C
Product Size	1055*585*460	Cooling temperature zone	6°C - 12°C
Wireless charging parameters	10W	One USB charging parameters	5V/2.1A

Packing list



1. Complete machine for smart coffee table mini



User's Guide

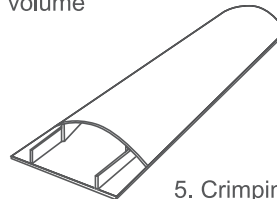


2. Instruction manual
1 volume

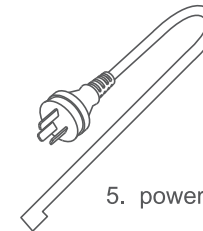


3. Glass partitions 2

4. YOYO Pan 1



5. Crimping groove 1



5. power cord 1

User notice

For products beyond the warranty period, the service staff of the smart mini table will provide paid services on site, and the paid costs (super-insurance charges) include repair labor costs and parts costs. All the user's fees will be charged according to the uniform charging standard of the smart mini table presented by the maintenance staff, and the service staff will issue an invoice, otherwise the fee may be refused. Please pay attention to the barcode on the machine. The maintenance staff should scan the barcode as a maintenance credential every time they come to the service to ensure that an accurate maintenance file is established.

1. If there is a problem in your smart mini table and you need a warranty, please call the national unified service phone directly: we will provide you with a complete service as soon as possible.
2. If you are not satisfied with the on-site service staff, please call _____ to complain or reflect.
3. Do you have any good ideas and suggestions during the use of the product, please feedback to our company by dialing _____, we will fully consider your suggestions.

Note: This service is only applicable to the established regional scope in mainland China. If the product is not in the specified service area, or the product is moved to Hong Kong, Macau, Taiwan or other countries, this clause will automatically become invalid.

Reminder for recycling

This product should not be discarded at random after it has expired or fails to work normally after being repaired. Please refer to a qualified enterprise for disposal of waste electrical and electronic products. For the correct disposal method, please refer to the national or local regulations on the disposal of old electrical and electronic products. Attachment: statistical tables of toxic and hazardous substances in the smart coffee table mini.

component	Harmful Substance					
	Pb	Hg	Cd	Cr(VI)	PBB	PBDE
Door components	o	o	o	o	o	o
Cabinet components	o	o	o	o	o	o
Components in the box	o	o	o	o	o	o
Packaging components	o	o	o	o	o	o
compressor	x	o	o	o	o	o
PCB control board	x	o	o	o	o	o
Wireless charging components	o	o	o	o	o	o
Cable	o	o	o	o	o	o

"O" means that the content of this toxic and hazardous substance in all homogeneous materials of this part is below the limit value specified in the GB / T26572 2011 standard. "X" indicates that the content of the toxic and hazardous substance in a homogeneous material of the part exceeds the limit value requirements specified in the B / T26572-2011 standard. However, the project only has a small number of applications in inventory or processed products, and it is undergoing environmental protection switching as planned. After the switching, it will meet the appeal requirements.

Customer Information

Username		Contact Details			
User Address					
Distribution Unit		Contact Person		Contact Details	
Product Number		Color of the Product			
Purchase Date		Barcode Number			

Maintenance record

Repair Date	Troubleshooting Record	Repairman	Remarks

Smart Mini Table — — Innovative Smart Furniture

April 1, 2022 edition