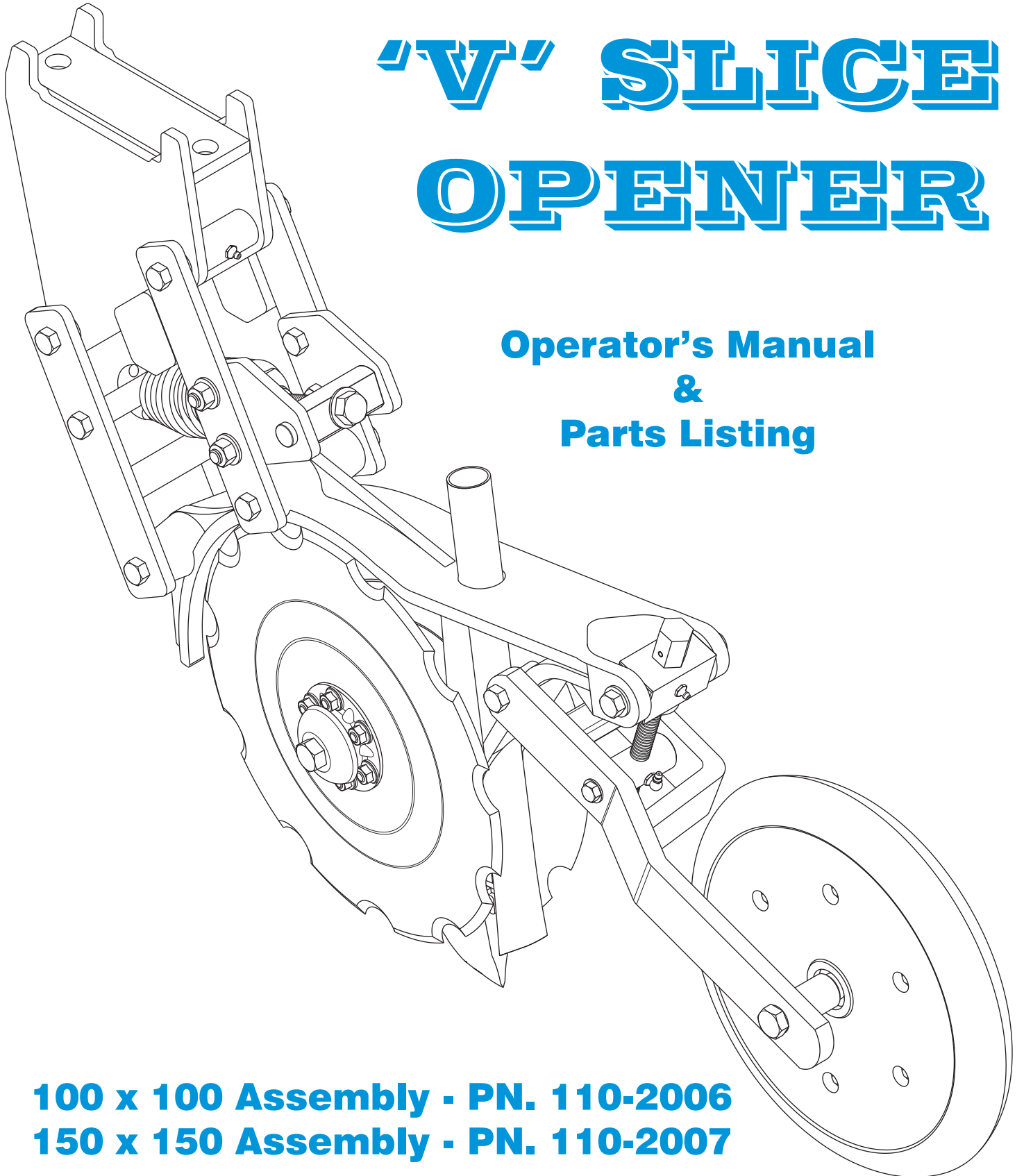


# AGROW PLOW

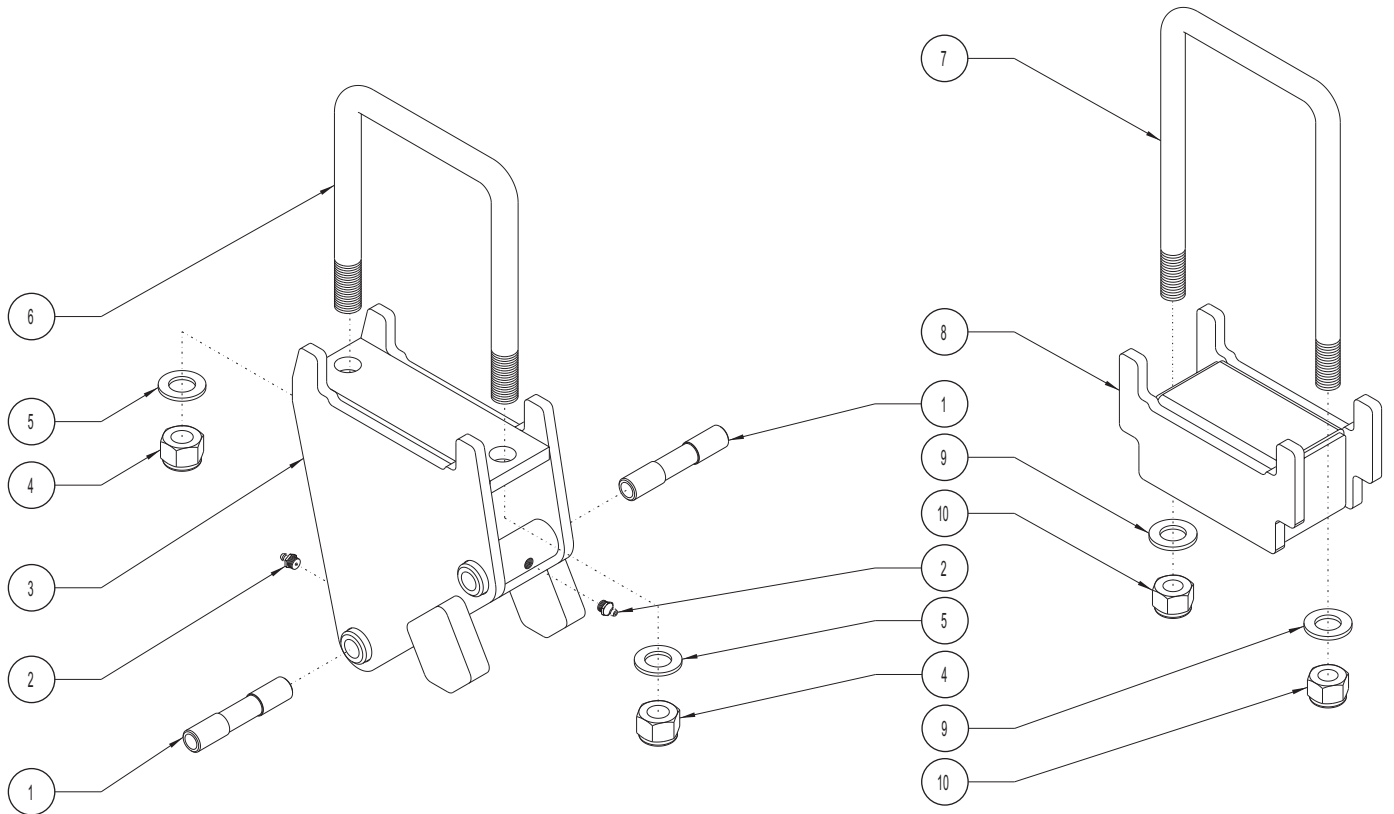
## 'V' SLICE OPENER

**Operator's Manual  
&  
Parts Listing**



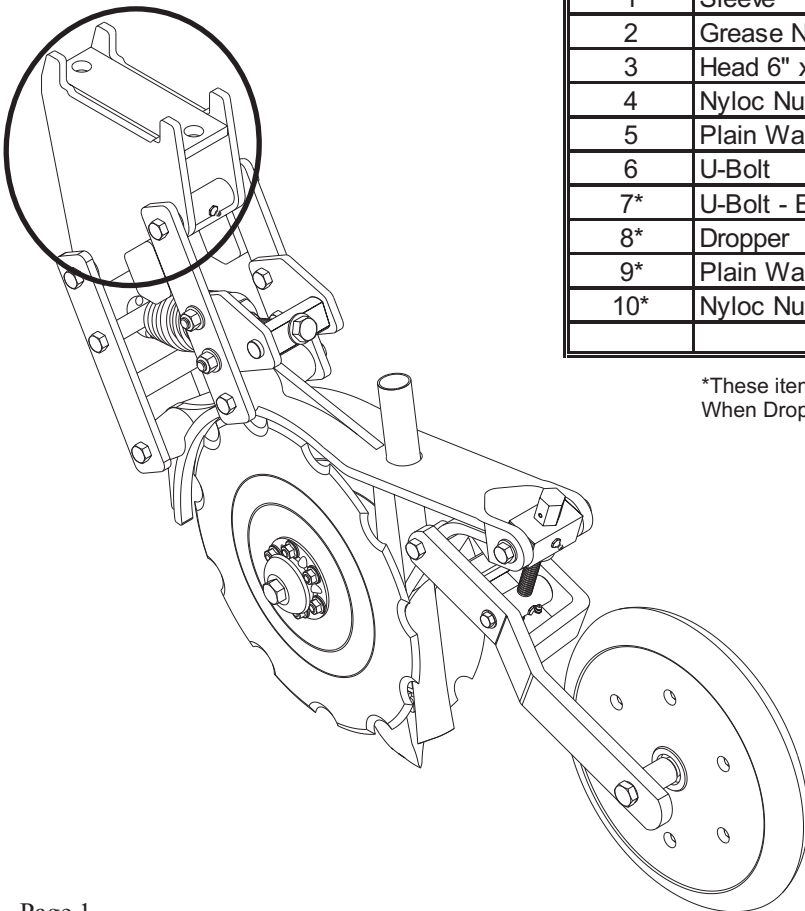
**100 x 100 Assembly - PN. 110-2006**  
**150 x 150 Assembly - PN. 110-2007**

# Head and Dropper Assembly

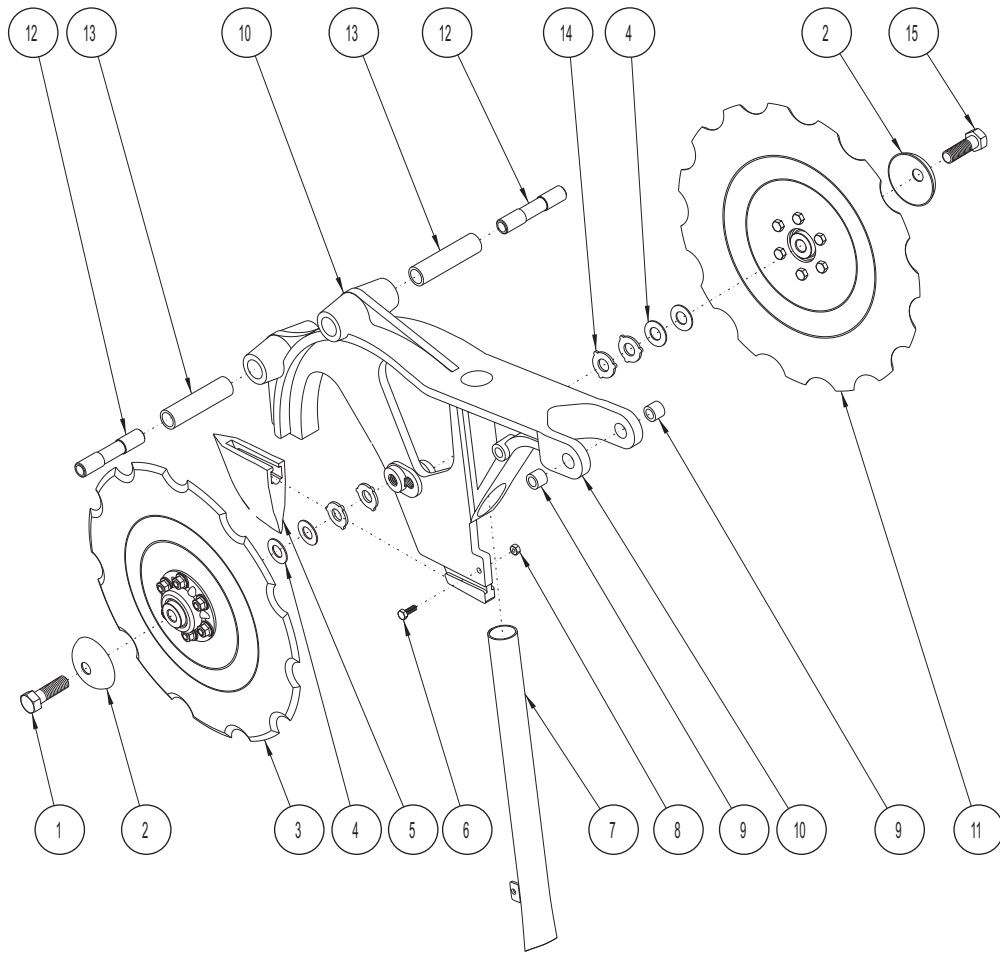


Item No.	Description	Qty.	Part No.
1	Sleeve	2	110-4020
2	Grease Nipple	2	154-4075
3	Head 6" x 6"	1	110-3045
4	Nyloc Nut M20	2	134-146
5	Plain Washer 3/4"	2	135-110
6	U-Bolt	1	130-4008
7*	U-Bolt - Extended	1	130-4015
8*	Dropper	1	110-3040
9*	Plain Washer 3/4"	2	135-110
10*	Nyloc Nut 3/4" UNC	2	134-125

\*These items are for use with the dropper kit only  
When Dropper Kit is used items 4,5 & 6 are replaced by items 7,8,9 & 10

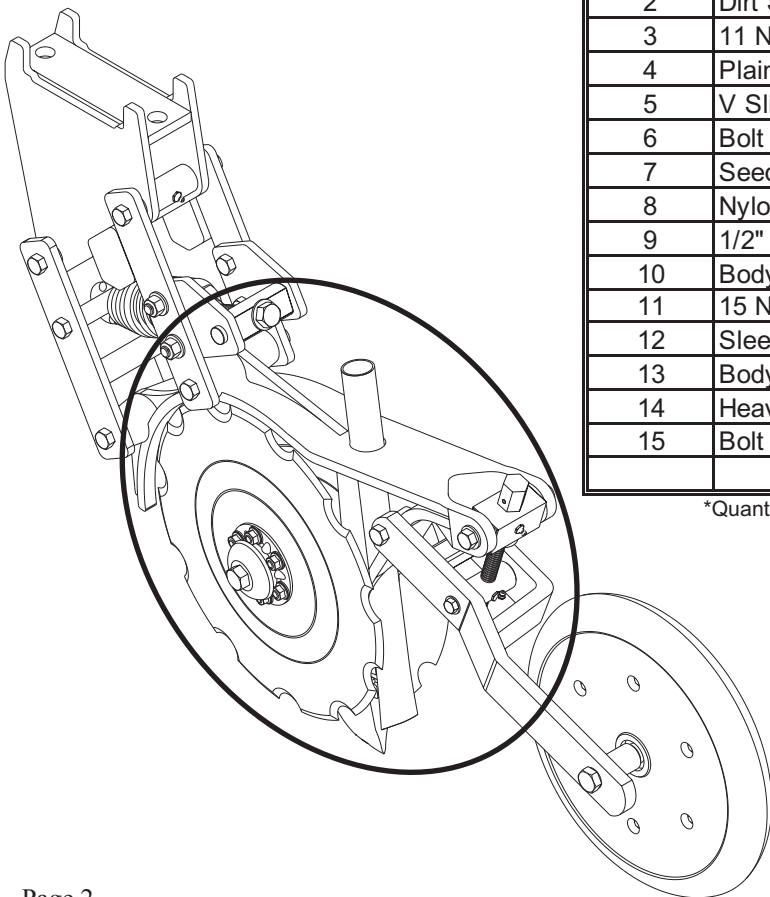


# Body Assembly

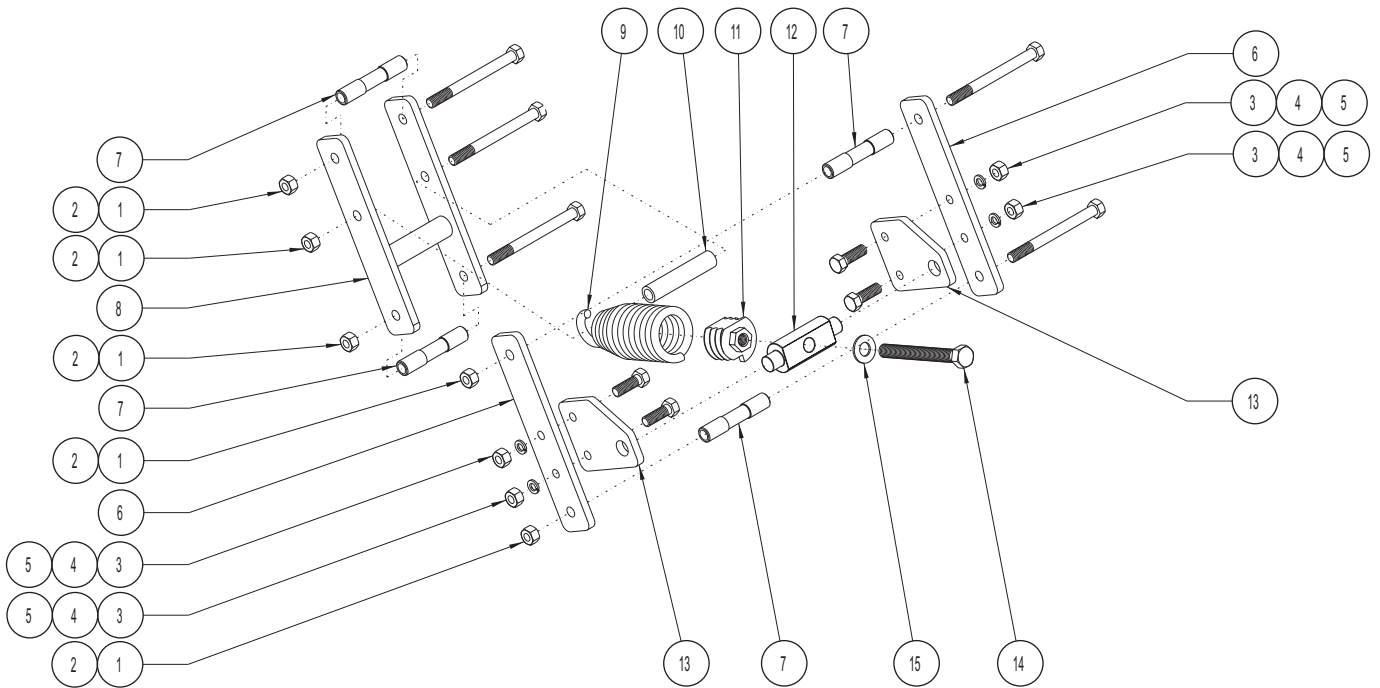


Item No.	Description	Qty.	Part No.
1	Bolt 5/8" UNC x 2 1/2" L.H.	1	110-4005
2	Dirt Shield	2	110-4003
3	11 Notch Disc Assembly	1	110-3030
4	Plain Washer	4*	110-4008
5	V Slice Opener	1	110-3047
6	Bolt 1/4" UNC x 3/4"	1	133-010
7	Seed Tube	1	110-3049
8	Nyloc Nut 1/4" UNC	1	134-1011
9	1/2" Bush	2	110-4079
10	Body	1	110-2004
11	15 Notch Disc Assembly	1	110-3031
12	Sleeve	2	110-4020
13	Body Bush	2	110-4089
14	Heavy Plain Washer	4*	135-080
15	Bolt 5/8" UNC x 2 1/2" R.H.	1	133-260

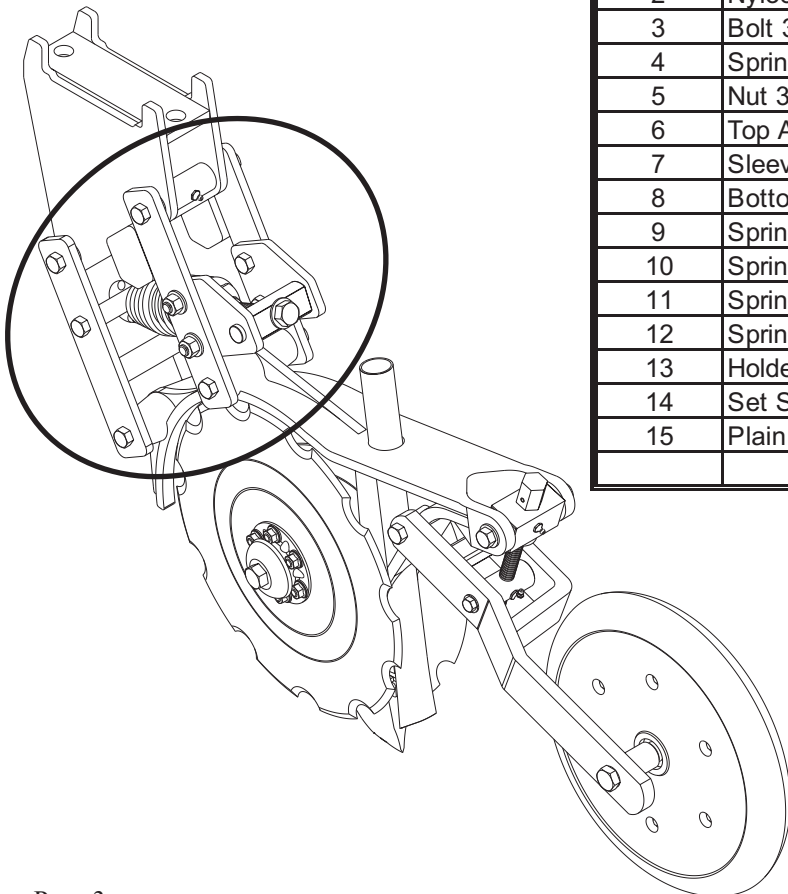
\*Quantity may vary



# Parallelogram Arm Assembly

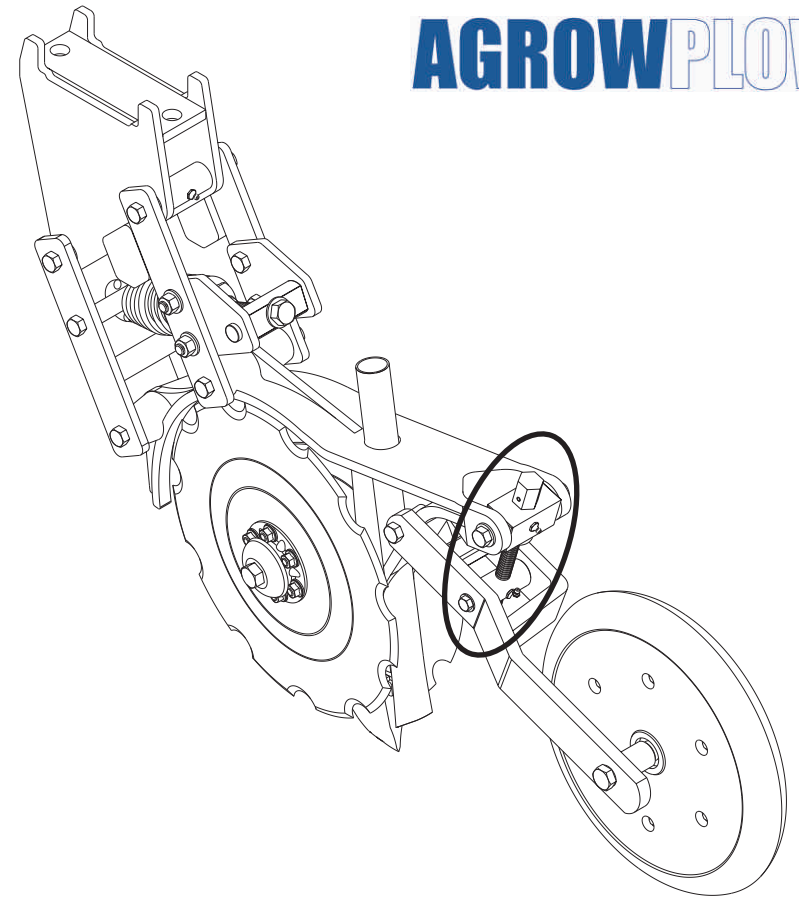
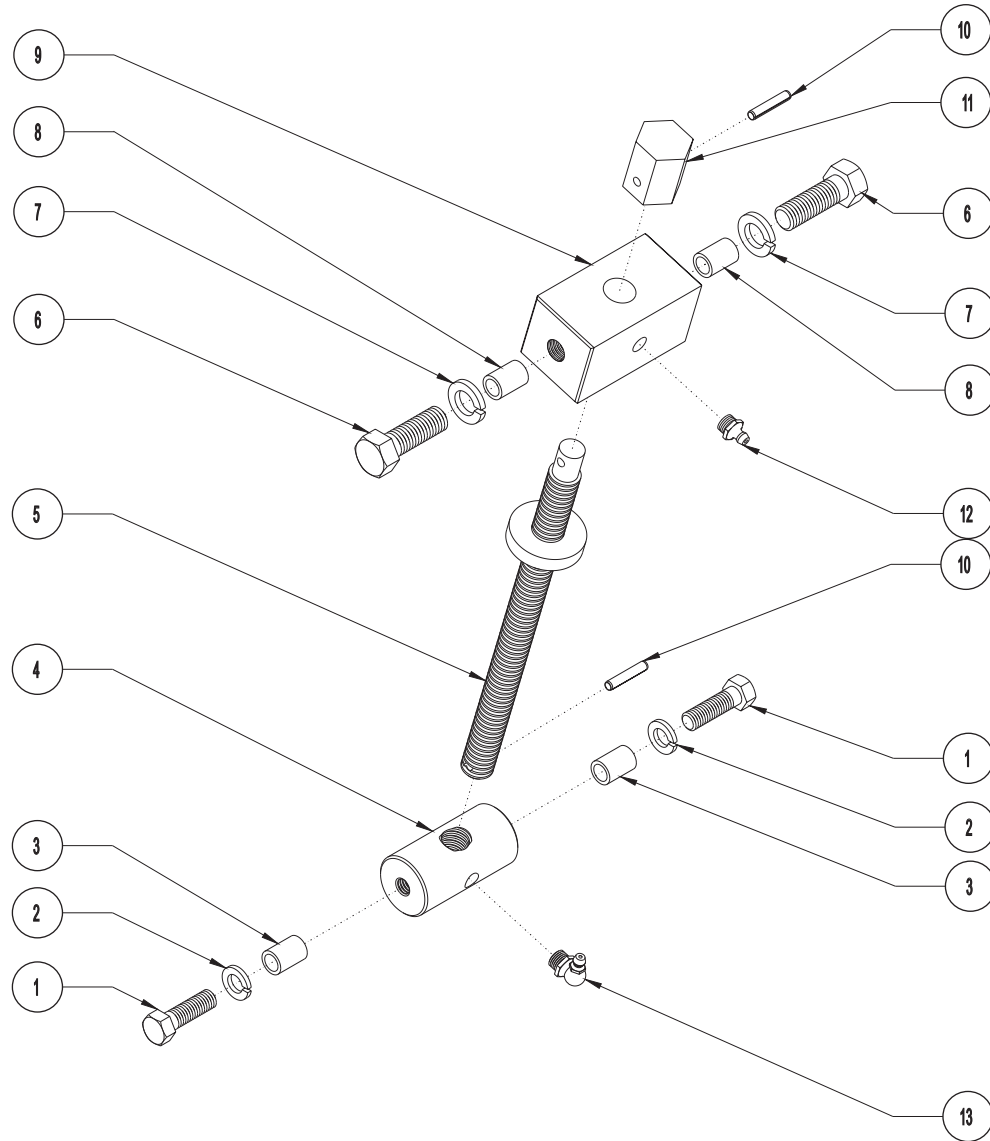


Item No.	Description	Qty.	Part No.
1	Bolt 1/2" UNC x 5 1/2"	5	133-1067
2	Nyloc Nut 1/2" UNC	5	134-1031
3	Bolt 3/8" UNC x 1 1/4"	4	133-075
4	Spring Washer 3/8"	4	135-030
5	Nut 3/8" UNC	4	134-030
6	Top Arm	2	110-4067
7	Sleeve	4	110-4020
8	Bottom Arm	1	110-4071
9	Spring	1	110-4069
10	Spring Mounting Bush	1	110-4056
11	Spring Screw	1	110-4088
12	Spring Screw Retainer	1	110-3027
13	Holder Plate	2	110-4065
14	Set Screw 5/8" UNC x 5"	1	133-1099
15	Plain Washer 5/8"	1	135-080



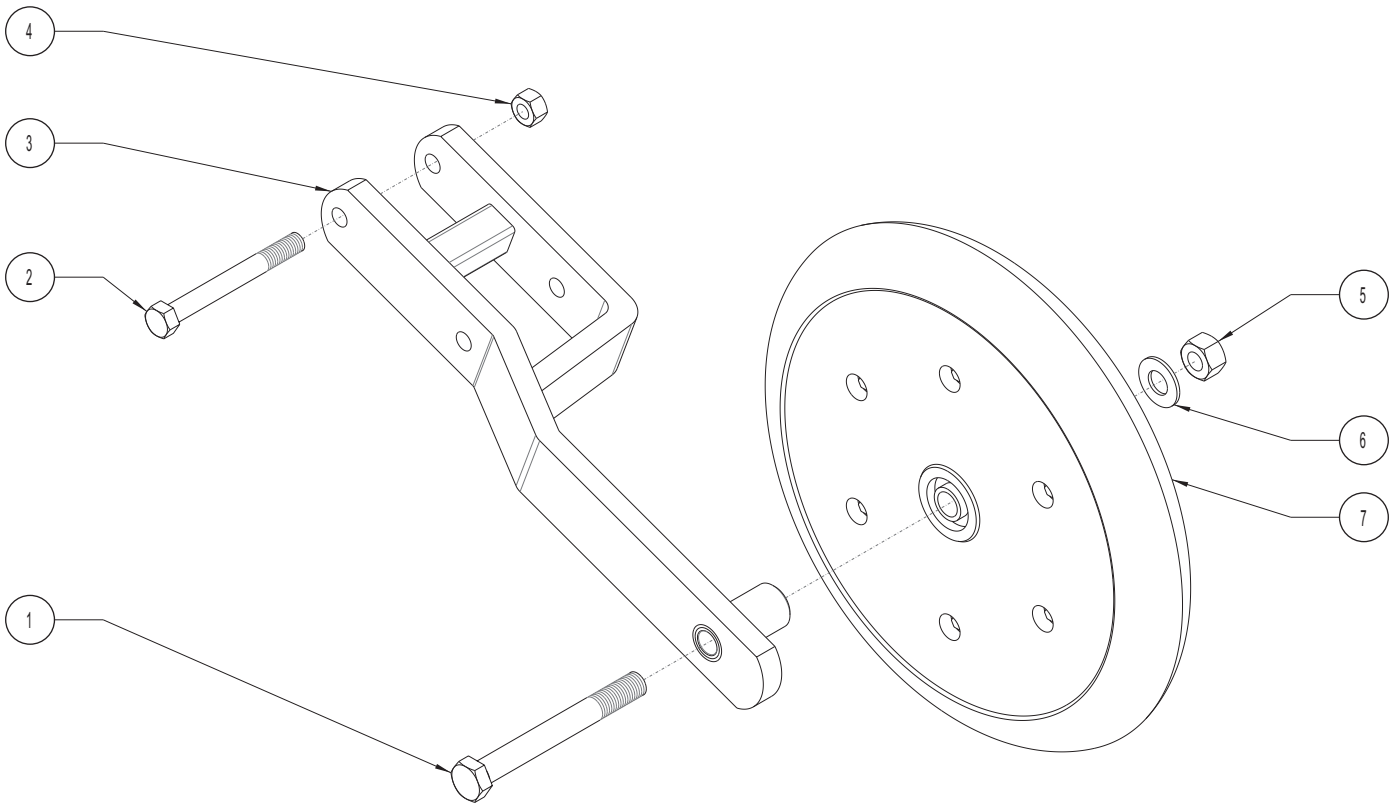
# Screw Adjuster Assembly

Part Number 110-4108

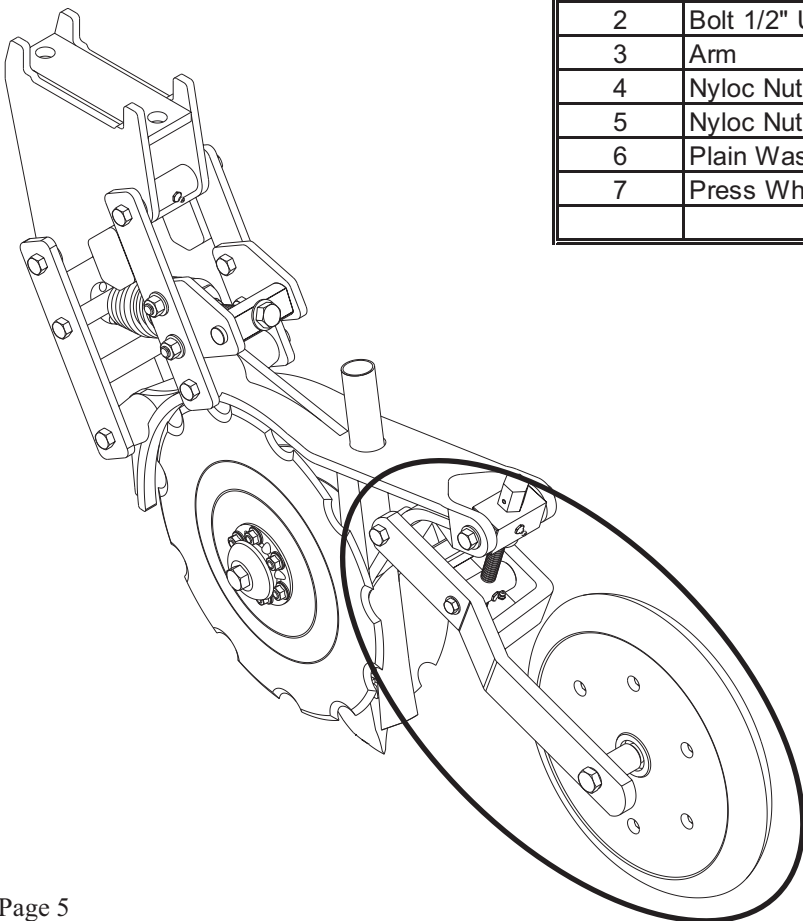


Item No.	Description	Qty.	Part No.
1	Bolt 3/8" UNC x 1 1/2"	2	133-080
2	Spring Washer 3/8"	2	135-030
3	3/8 Bush	2	110-4080
4	Adjusting Block	1	110-4081
5	Adjusting Screw	1	110-4085
6	Bolt 1/2" UNC x 1 3/4"	2	133-1055
7	Spring Washer 1/2"	2	135-050
8	1/2" Bush	1	110-4079
9	Adjuster Holder Block	1	110-4082
10	5 x 26 Spring Pin	1	140-4072
11	Adjusting Nut	1	110-4096
12	Grease Nipple	1	154-4075
13	90 Deg. Grease Nipple	1	154-4061

# Press Wheel Assembly



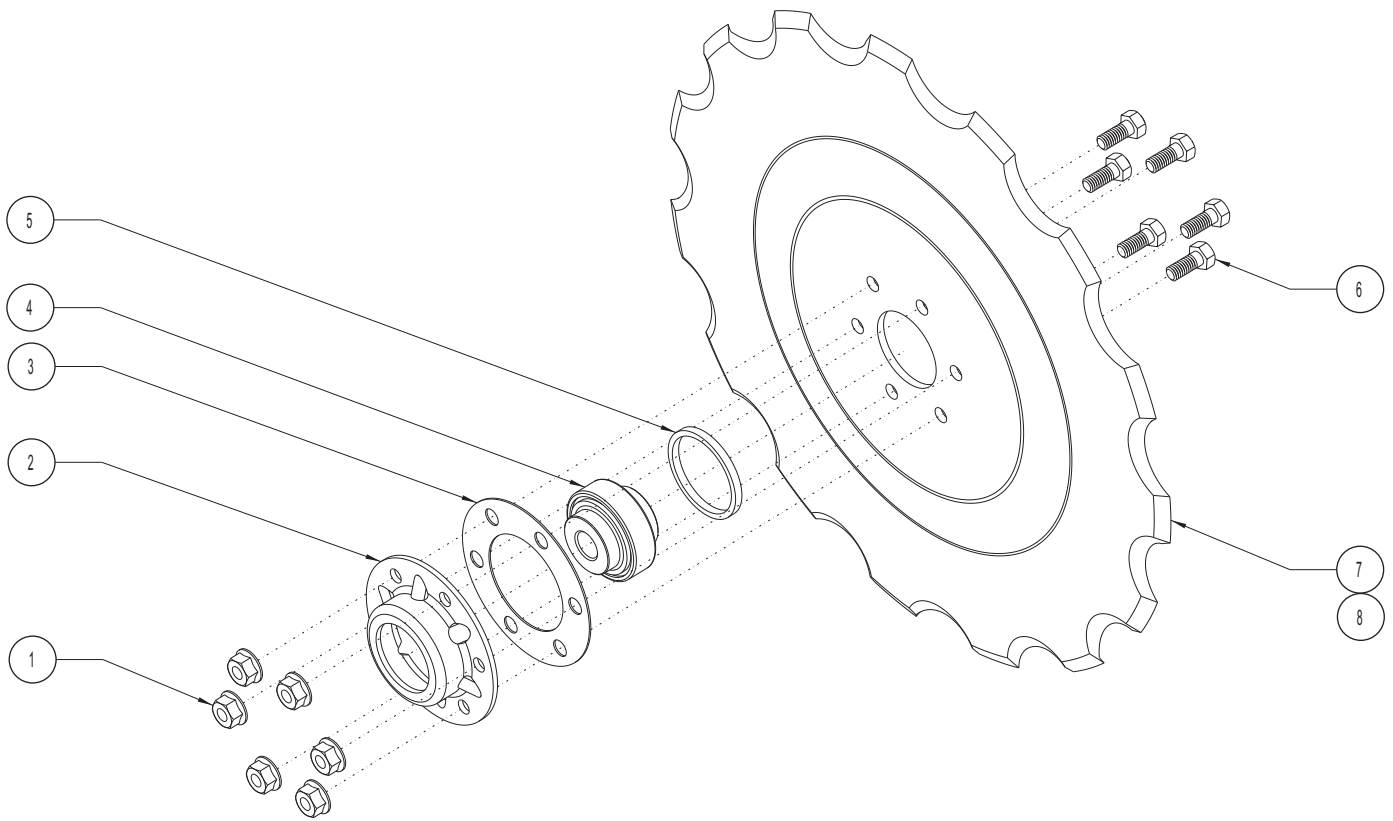
Item No.	Description	Qty.	Part No.
1	Bolt M16 x 140mm	1	133-4062
2	Bolt 1/2" UNC x 4 1/2"	1	133-1066
3	Arm	2	110-3048
4	Nyloc Nut 1/2" UNC	2	134-1031
5	Nyloc Nut M16	1	134-4023
6	Plain Washer	1	135-080
7	Press Wheel	1	114-4105



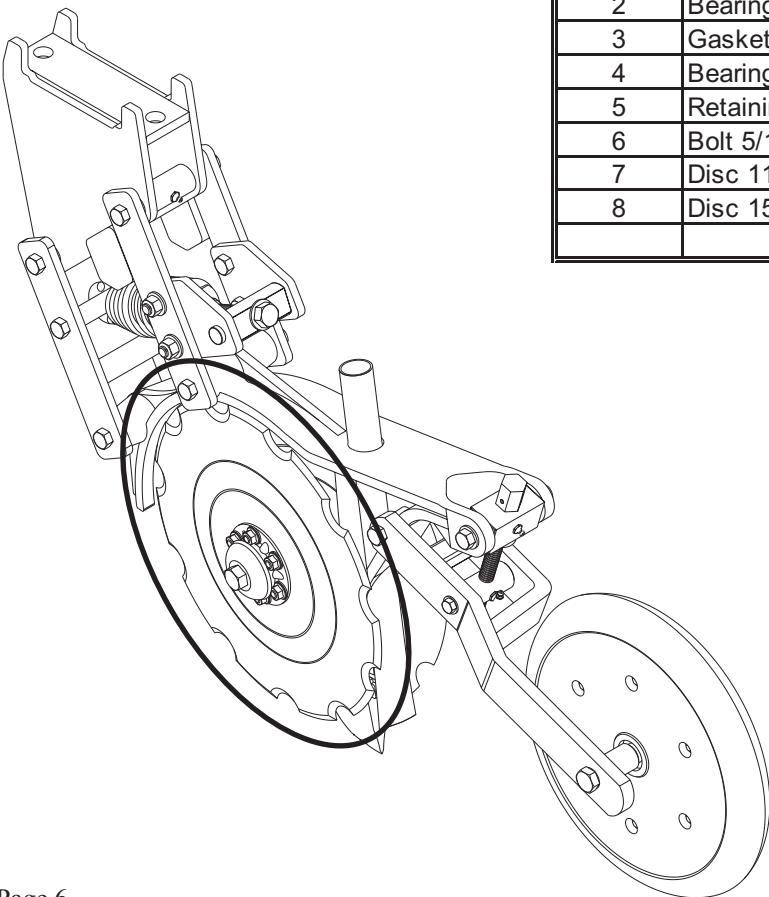
# Disc Assembly

Part Number: 11 Notch - 110-3030

15 Notch - 110-3031

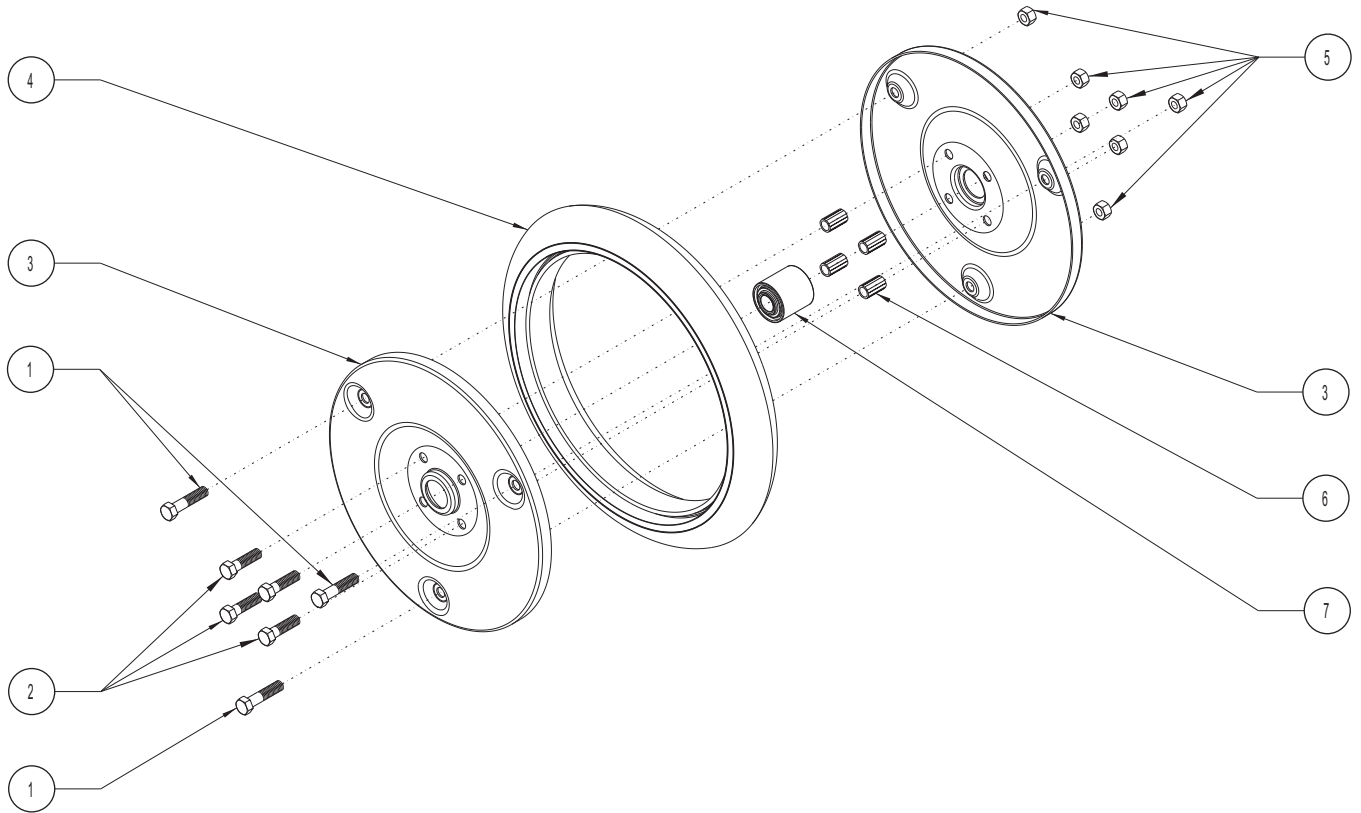


Item No.	Description	Qty.	Part No.
1	Nyloc Nut 5/16" UNC	5	134-1015
2	Bearing Housing	1	110-4112
3	Gasket	1	110-4002
4	Bearing	1	138-3026
5	Retaining Ring	1	110-4004
6	Bolt 5/16" UNC x 3/4"	5	133-1021
7	Disc 11 Notch	1	110-4011
8	Disc 15 Notch	1	110-4015

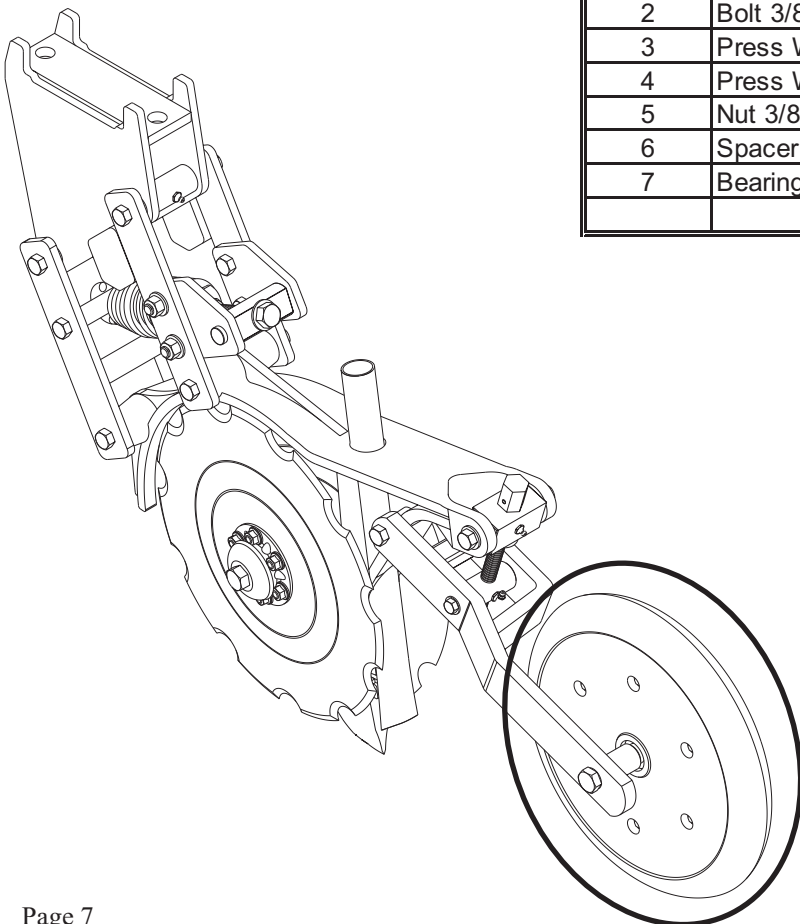


# Press Wheel Assembly 2" x 13"

Part Number 114-4105



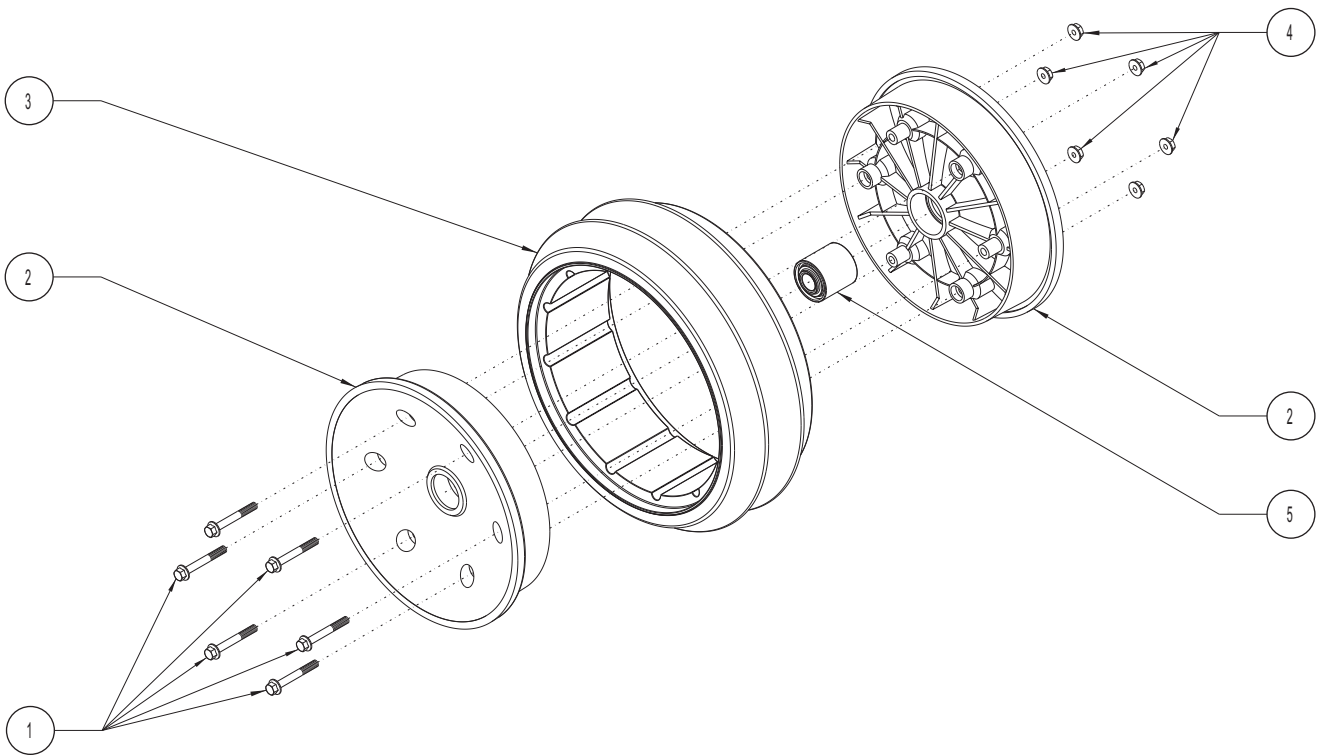
Item No.	Description	Qty.	Part No.
1	Bolt 3/8" UNC x 1 1/2"	3	133-080
2	Bolt 3/8" UNC x 1 1/4"	4	133-075
3	Press Wheel Centre	2	110-3023
4	Press Wheel Tyre	1	114-4133
5	Nut 3/8" UNC	7	134-030
6	Spacer	4	110-4098
7	Bearing	1	138-3031





# Optional 4" x 12" Press Wheel Assembly

Part Number 114-4106



Item No.	Description	Qty.	Part No.
1	Hex Head Screw 1/4" x 2"	6	133-1006
2	Press Wheel Centre	2	110-3028
3	Press Wheel Tyre	1	110-4097
4	Nut 1/4"	6	134-010
5	Bearing	1	138-3031

