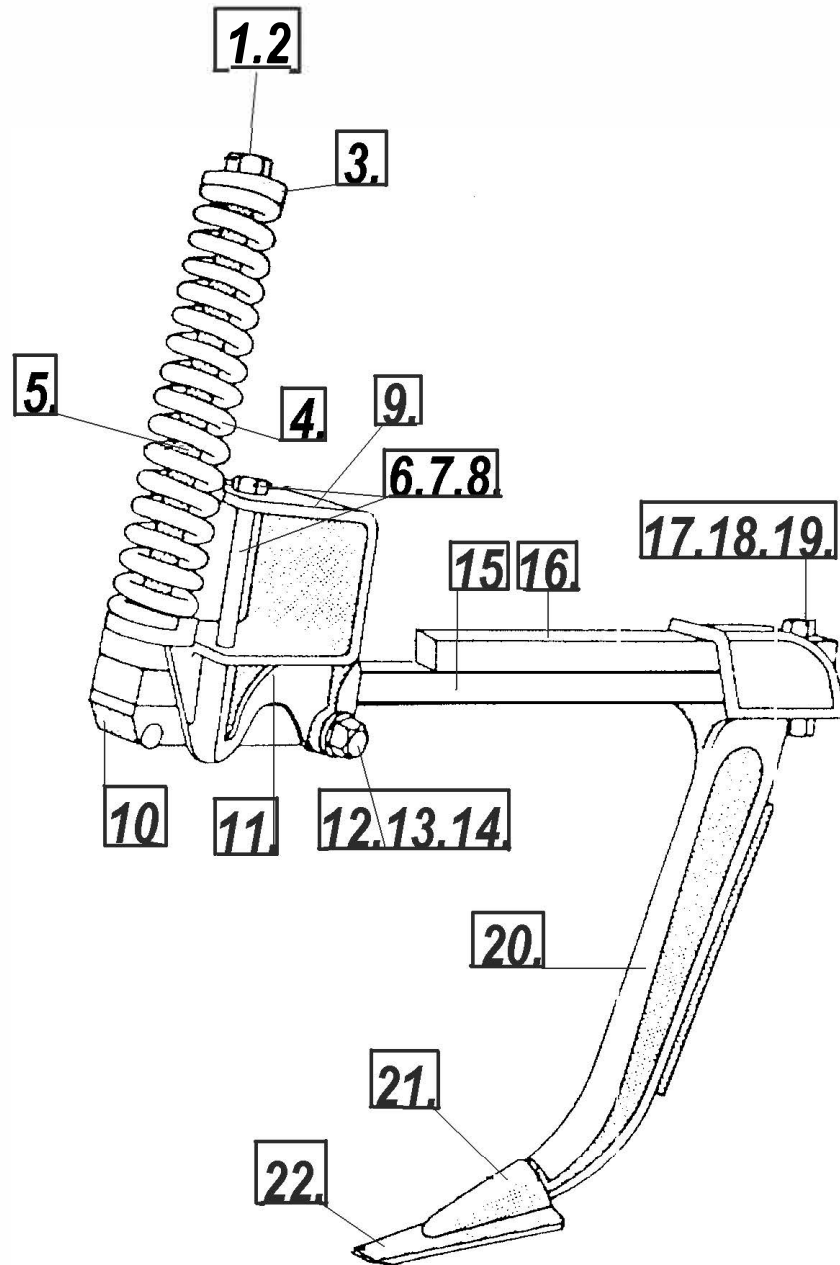


#7 SPRING JUMP ASSEMBLY.



OLD UTILITY #7. SPRING JUMP ASSEMBLY

ITEM#	DESCRIPTION	QTY	PART No.
	OLD UTILITY #7 SPRING JUMP ASSY.		120-0004
1	NUT 3/4" UNC	1	134-1020
2	WASHER 3/4" FLAT	1	135-0090
3	SPRING KEEPER	1	003-3004
4	COIL SPRING	1	124-0013
5	T-BOLT 3/4" X 21 1/2"	1	132-0058
6	BOLT 5/8" X 5 1/2" UNC	4	133-3005
7	WASHER 5/8" FLAT	4	135-0080
8	NUT NYLOC 5/8" UNC	4	134-0095
9	CLAMP PLATE	1	003-3002
10	HINGE PLATE	1	001-3002
11	PIVOT CLAMP 3/4" HOLE	1	001-1002
12	BOLT 3/4" X 4 1/2" UNC	1	133-4010
13	SPRING WASHER 3/4"	1	135-0090
14	NUT 3/4" UNC.	1	134-1020
15	SPRING BAR	1	125-0036
16	SPRING HELPER BAR	1	001-4007
17	BOLT 3/4" X 3 1/2" UNC	1	133-3090
18	WASHER 3/4" SPRING	1	135-0090
19	NUT 3/4" UNC	1	134-1020
20	#7 SHANK	1	121-1005
21	#17 ADAPTOR	1	122-2003
22	18A BLADE TUNGSTEN TIP	1	122-1082
	OPTIONAL BLADES		
	18A BLADE HARD FACED		122-1081
	18A BLADE PLAIN		122-2006
	#4 BLADE TUNGSTEN TIP		122-0044
	#4 BLADE HARD FACED		122-0045
	#4 BLADE PLAIN no adaptor		122-0004
	ACCESSORIES		
	FIXED COULTER ASSEMBLY		190-0003

COULTER ASSEMBLIES

190-0003

FIXED COULTER ASSEMBLY

ITEM NO.	PART NO.	DESCRIPTION	QUANTITY
1	125-0098	COULTER ARM	2
2	133-0070	BOLT 3/8" UNC X 1" LONG	5
3	133-3000	BOLT 5/8" UNC X 4" LONG	1
4	134-0030	NUT 3/8" UNC	5
5	134-0090	NUT 5/8" UNC	1
6	135-0030	WASHER 3/8" SPRING	5
7	135-0070	WASHER 5/8" SPRING	1
8	138-0031	BEARING - 6305	2
9	138-0030	BEARING HOUSING	2
10	142-4010	COULTER SLEEVE	1
11	191-0001	12" COULTER DISC	1

