

425 COIL TYNE

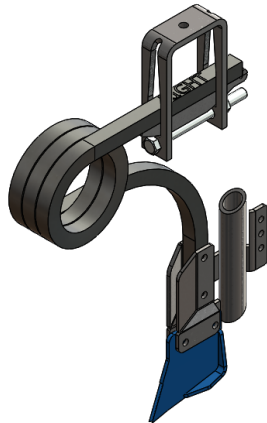
TABLE OF CONTENTS

SEED TUBE ASSEMBLIES.....	2
425 COIL TYNE ASSEMBLY LIST	3
SEED TUBE OPTIONS.....	4
BAKER BOOTS	5

SEED TUBE ASSEMBLIES

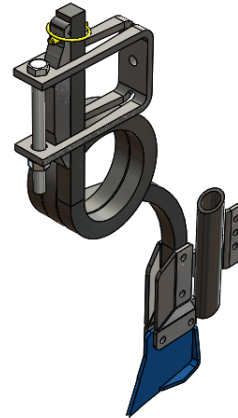
SINGLE SEED TUBE, TYNE ASSEMBLY

HORIZONTAL MOUNT



453-3001 RIGHT HAND (shown above)
453-3003 LEFT HAND

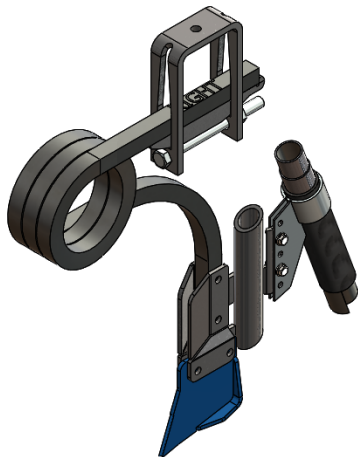
VERTICAL MOUNT



453-3013 RIGHT HAND (shown above)
453-3004 LEFT HAND

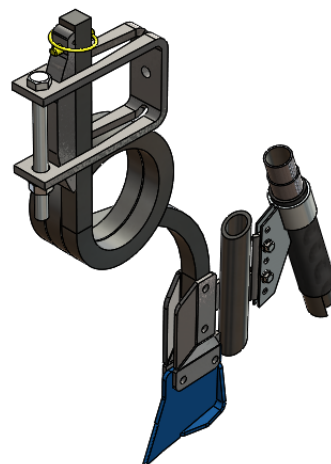
ADJUSTABLE SEED TUBE, TYNE ASSEMBLY

HORIZONTAL MOUNT



453-3009 RIGHT HAND (shown above)
453-3011 LEFT HAND

VERTICAL MOUNT



453-3010 RIGHT HAND (shown above)
453-3012 LEFT HAND

425 COIL TYNE ASSEMBLY LIST

425 SINGLE SEED TUBE, TYNE ASSEMBLY

	VERTICAL		HORIZONTAL	
	LEFT HAND	RIGHT HAND	LEFT HAND	RIGHT HAND
ASSEMBLY	453-3004	453-3013	453-3003	453-3001
SEED TUBE	453-4020		453-4023	
COIL TYNE	453-4016	453-4015	453-4002	453-4001
SEED CUP SINGLE OUTLET 38mm	113-3112			

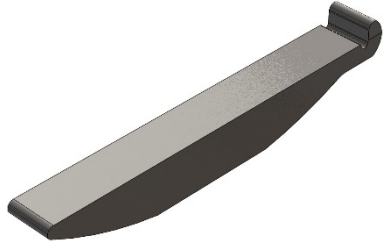

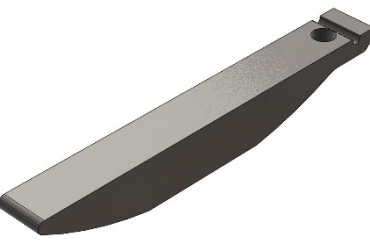
425 ADJUSTABLE SEED TUBE, TYNE ASSEMBLY

	VERTICAL		HORIZONTAL	
	LEFT HAND	RIGHT HAND	LEFT HAND	RIGHT HAND
ASSEMBLY	453-3012	453-3010	453-3011	453-3009
SEED TUBE	453-4022		453-4025	
COIL TYNE	453-4016	453-4015	453-4002	453-4001
SEED CUP DOUBLE OUTLET 38mm	113-3124			

COMMON PARTS

DESCRIPTION	PART NUMBER	QTY
BOLT M10 x 35 G8.8 ZINC	133-1001	2
BOLT M10 x 50 G8.8 ZINC	133-4040	2
HOSE 38mm ID	219-4010	1.5m
HOSE CLAMP	155-1006	1
NUT HEX M16	134-4002	1
NUT NYLOC M10	134-0050	4
HEAVY DUTY BAKER BOOT WITH TUNGSTEN CARBIDE TILE	115-4011	1
TYNE BOLT KIT M16 x 200 + NUT & WASHER	115-4002	1
TYNE CLAMP 25mm COIL	115-3009	1
WASHER FLAT 5/8" OD	135-1036	1
WASHER SPRING 5/8" OD	135-2030	1
LYNCH PIN 11mm 42mm	140-0041	1

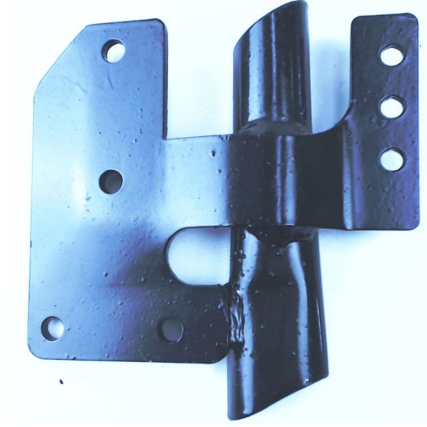
WEDGE OPTIONS

		
<p>115-3010 WEDGE, STANDARD</p> <p>Suits all horizontal mount assemblies</p>	<p>115-3073 WEDGE WITH LOCATION HOLE</p> <p>Suits vertical mount tynes on AD230 seed drills made 2016-2019, check existing parts for match.</p>	<p>115-3074 WEDGE WITH LOCATION HOLE AND 15mm OFFSET</p> <p>Suits vertical mount tynes on AD230 seed drills made 2019 and thereafter, check existing parts for match.</p>

SEED TUBE OPTIONS

SINGLE SEED TUBE

SUITS VERTICAL MOUNT TYNE ASSEMBLY
453-4022



114-1118



2nd Seed Tube Rubber

114-3211



2nd Seed Tube Steel

114-4237



2nd Seed Tube Steel

SEED CUP



Single Seed Cup



Double Seed Cup

BAKER BOOTS

115 – 3080



Cast Baker Boot with Tungsten Carbide Tile on Leading Face

114 – 4250



Heavy Duty Cast Baker Boot

115 – 4031



Fabricated Heavy Duty Baker Boot made with Bisalloy plate, Tungsten Carbide Tile and Tungsten grit weld

115 – 3031



Extended Baker Boot (Limited Stock)