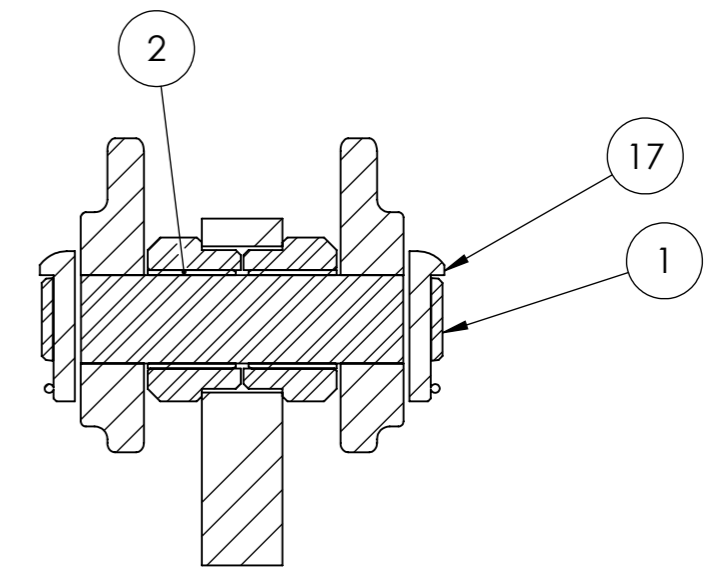
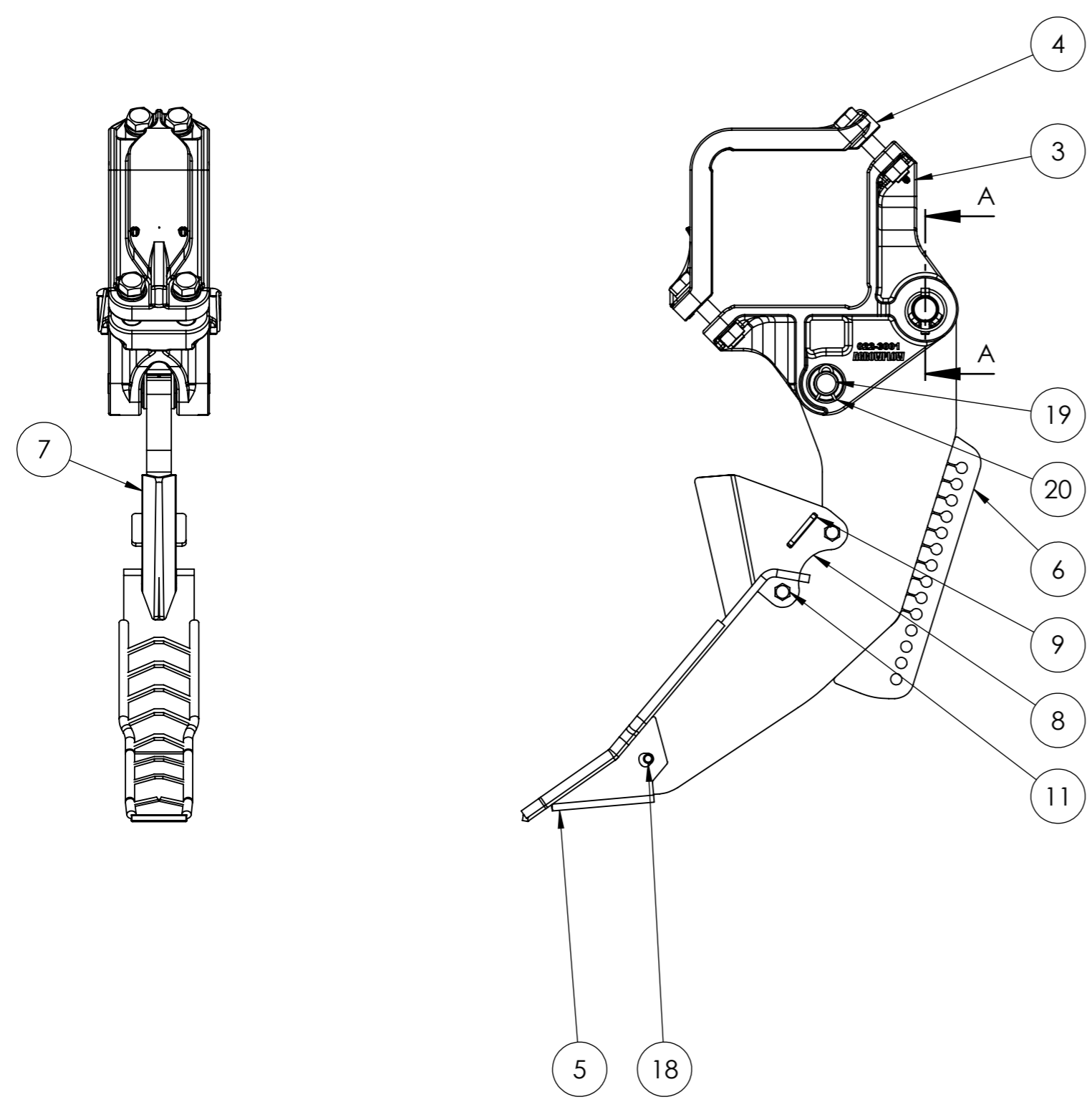


ITEM NO.	PART NUMBER	DESCRIPTION	QTY.
1	006-4006	SHANK #9 PIVOT PIN HYDRAULIC	1
2	006-4020	BUSH SLEEVE PLASTIC ID35 OD39 Length 35	2
3	022-3001	SHANK #9, CARRIER RIGID	1
4	022-3009	SHANK #9 TOP CLAMP 200x200	1
5	024-3002	INVERSION SHANK POINT	1
6	024-3004	#9 FABRICATED INVERSION SHANK 450	1
7	024-4009	SPLITTER PLATES LEFT	1
8	024-4010	SPLITTER PLATES RIGHT	1
9	024-4014	INVERSION SHANK SPLITTER PLATE BOLT SHIELD	1
10	133-4170	M20 x 100 HEX BOLT ZINC GR8.8	4
11	133-4125	M12 x 55 HEX BOLT ZINC GR8.8	2
12	134-1045	M20 HEX NUT ZINC PLATED GR 8.8	4
13	134-4017	M12 HEX NUT ZINC PLATED GR 8.8	2
14	135-1015	SPRING WASHER M20	4
15	135-3038	SPRING WASHER M12	2
16	135-3040	WASHER FLAT M20	4
17	140-0041	LINCH PIN 11mm 42mm	2
18	140-4087	ROLL PIN 12mm X 55mm	1
19	141-4012	#9 SHEARPIN HD SUIT 200x200 RHS	1
20	141-0019	HAIRCLIP	2



SECTION A-A

INVERSION SHANK TAKES MORE PULLING FORCE TO PULL THROUGH THE GROUND THAN THEN #9 SHANK. THEREFORE WILL RESULT IN HIGHER PULLING FORCE REQUIRED AND/OR THE SHANK ASSEMBLY WILL BREAK OUT AT SHALLOWER WORKING DEPTHS. IF THE INVERSION SHANK IS RECOILED, IT WILL NOT PERFORM CORRECTLY AND CONTINUED USE MAY RESULT IN INCREASED WEAR OR DAMAGE TO THE ASSEMBLY.

<p align="center">AGROWFLOW</p> <p align="center">COPYRIGHT RESERVED</p> <p><small>THIS DRAWING IS THE PROPERTY AGROWFLOW PTY LTD, AND IS SUBJECT TO RETURN UPON DEMAND. IT IS SUBMITTED FOR USE ONLY IN CONNECTION WITH PROPOSALS OR CONTRACTS OF THIS ORGANISATION UPON THE EXSPRESS CONDITION THAT IT IS NOT TO BE USED DIRECTLY OR INDIRECTLY IN ANY WAY DETRIMENTAL TO THE INTERESTES OF AGROWFLOW PTY LTD.</small></p>	<p>TITLE:</p> <p align="center">#9 INVERSION SHANK ASSEMBLY 450 RIGID</p>	<p>PART NUMBER</p> <p align="center">024-1001</p>
	<p>4/07/2023</p>	<p align="center">SHEET:</p> <p align="center">SHEET 1 OF 2</p>

1

2

3

4

5

6

A

A

B

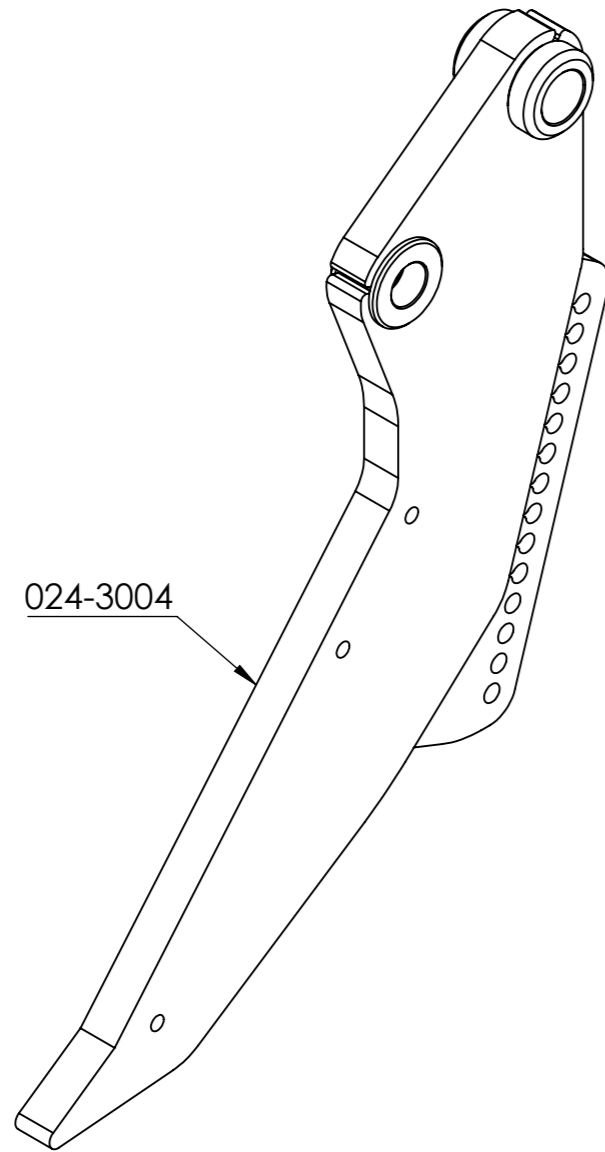
B

C

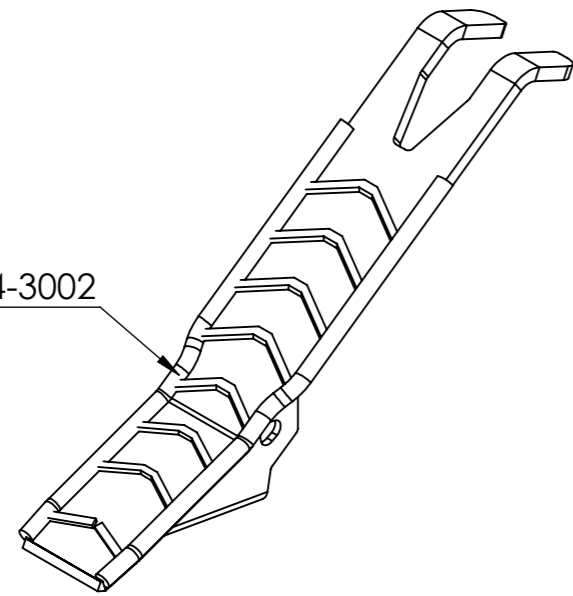
C

D

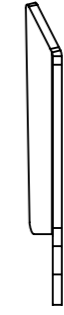
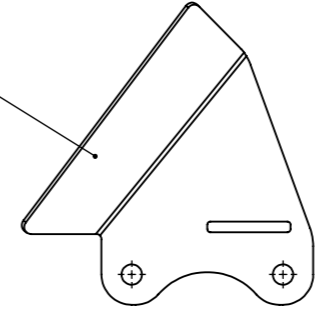
D



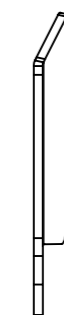
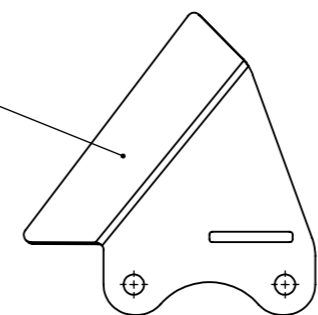
024-3002



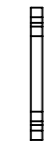
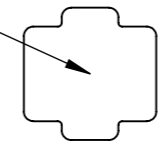
024-4009



024-4010



024-4014



AGROWFLOW		TITLE: #9 INVERSION SHANK ASSEMBLY 450 RIGID	PART NUMBER 024-1001		
COPYRIGHT RESERVED THIS DRAWING IS THE PROPERTY AGROWFLOW PTY LTD, AND IS SUBJECT TO RETURN UPON DEMAND. IT IS SUBMITTED FOR USE ONLY IN CONNECTION WITH PROPOSALS OR CONTRACTS OF THIS ORGANISATION UPON THE EXPRESS CONDITION THAT IT IS NOT TO BE USED DIRECTLY OR INDIRECTLY IN ANY WAY DETRIMENTAL TO THE INTERESTES OF AGROWFLOW PTY LTD.				SHEET: SHEET 2 OF 2	
		4/07/2023			

1

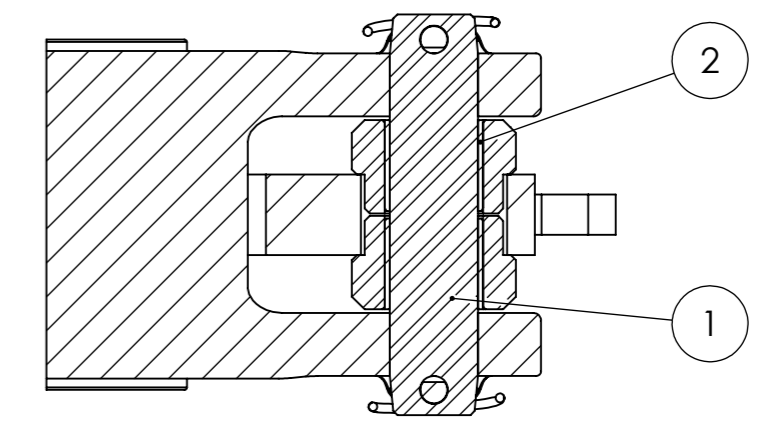
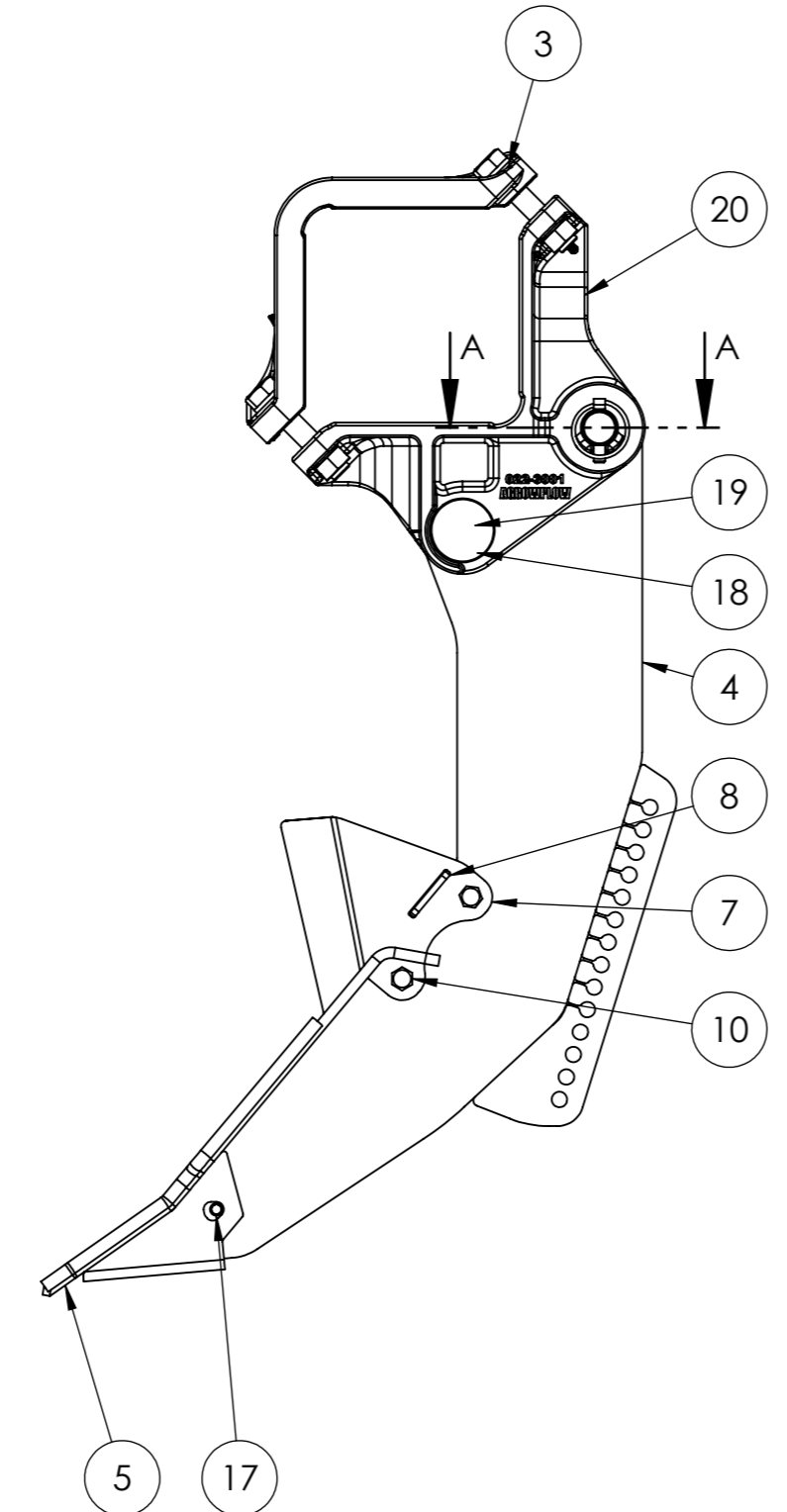
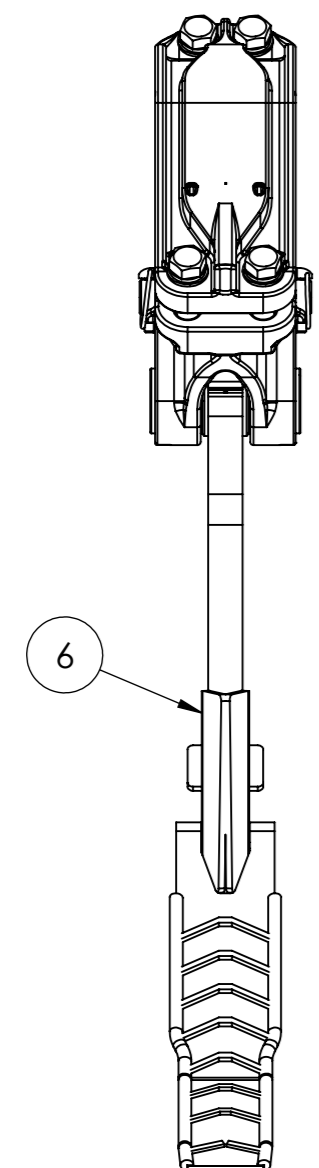
2

3

4

5

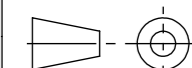
6

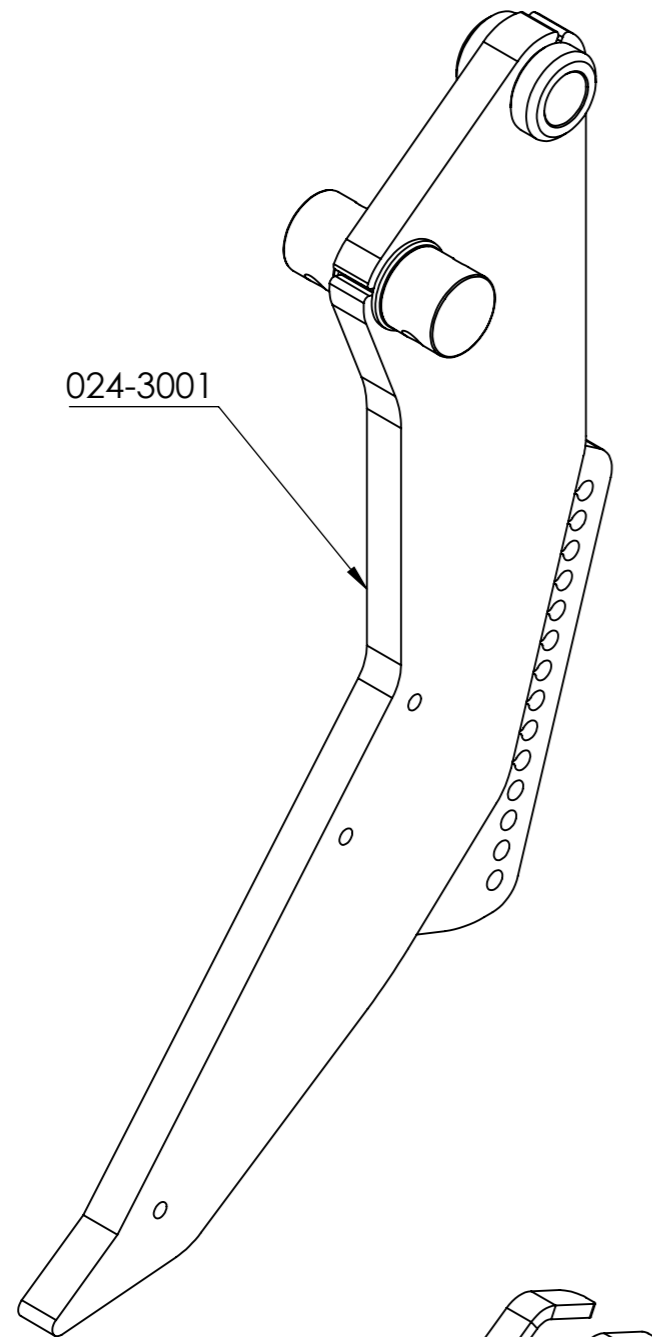


SECTION A-A

ITEM NO.	PART NUMBER	DESCRIPTION	QTY.
1	006-4006	SHANK #9 PIVOT PIN HYDRAULIC	1
2	006-4015	BUSH SLEEVE PLASTIC ID35 OD39 Length 36	2
3	022-3009	SHANK #9 TOP CLAMP 200x200	1
4	024-3001	#9 FABRICATED INVERSION SHANK 600	1
5	024-3002	INVERSION SHANK POINT	1
6	024-4009	SPLITTER PLATES LEFT	1
7	024-4010	SPLITTER PLATES RIGHT	1
8	024-4014	INVERSION SHANK SPLITTER PLATE BOLT SHIELD	1
9	133-4170	M20 x 100 HEX BOLT ZINC GR8.8	4
10	133-4125	M12 x 55 HEX BOLT ZINC GR8.8	2
11	134-1045	M20 HEX NUT ZINC PLATED GR 8.8	4
12	134-4017	M12 HEX NUT ZINC PLATED GR 8.8	2
13	135-1015	SPRING WASHER M20	4
14	135-3038	SPRING WASHER M12	2
15	135-3040	WASHER FLAT M20	4
16	140-0041	LINCH PIN 11mm 42mm	2
17	140-4087	ROLL PIN 12mm X 55mm	1
18	141-0019	HAIRCLIP	2
19	141-4012	#9 SHEARPIN HD SUIT 200x200 RHS	1
20	022-3001	SHANK #9, CARRIER RIGID	1

INVERSION SHANK TAKES MORE PULLING FORCE TO PULL THROUGH THE GROUND THAN THEN #9 SHANK. THEREFORE WILL RESULT IN HIGHER PULLING FORCE REQUIRED AND/OR THE SHANK ASSEMBLY WILL BREAK OUT AT SHALLOWER WORKING DEPTHS. IF THE INVERSION SHANK IS RECOILED, IT WILL NOT PERFORM CORRECTLY AND CONTINUED USE MAY RESULT IN INCREASED WEAR OR DAMAGE TO THE ASSEMBLY.

AGROWFLOW <small>COPYRIGHT RESERVED</small> <small>THIS DRAWING IS THE PROPERTY AGROWFLOW PTY LTD, AND IS SUBJECT TO RETURN UPON DEMAND. IT IS SUBMITTED FOR USE ONLY IN CONNECTION WITH PROPOSALS OR CONTRACTS OF THIS ORGANISATION UPON THE EXPRESS CONDITION THAT IT IS NOT TO BE USED DIRECTLY OR INDIRECTLY IN ANY WAY DETRIMENTAL TO THE INTERESTES OF AGROWFLOW PTY LTD.</small>	TITLE: #9 INVERSION SHANK ASSEMBLY 600 RIGID	PART NUMBER 024-1002
	<small>26/06/2023</small>	 SHEET: SHEET 1 OF 2



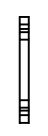
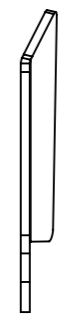
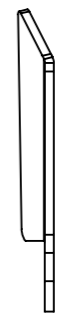
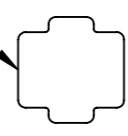
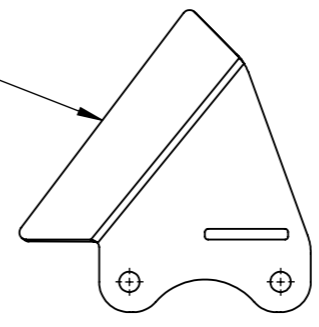
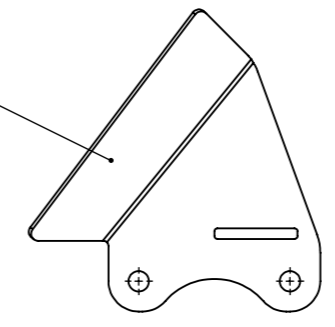
024-3001

024-3002

024-4009

024-4010

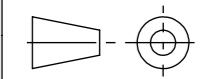
024-4014



AGROWFLOW
 COPYRIGHT RESERVED
 THIS DRAWING IS THE PROPERTY AGROWFLOW PTY LTD, AND IS SUBJECT TO RETURN UPON DEMAND. IT IS SUBMITTED FOR USE ONLY IN CONNECTION WITH PROPOSALS OR CONTRACTS OF THIS ORGANISATION UPON THE EXPRESS CONDITION THAT IT IS NOT TO BE USED DIRECTLY OR INDIRECTLY IN ANY WAY DETRIMENTAL TO THE INTERESTES OF AGROWFLOW PTY LTD.

TITLE:
#9 INVERSION SHANK ASSEMBLY 600 RIGID

PART NUMBER
024-1002



SHEET:
 SHEET 2 OF 2

26/06/2023

1

2

3

4

5

6

A

B

C

D

A

B

C

D