

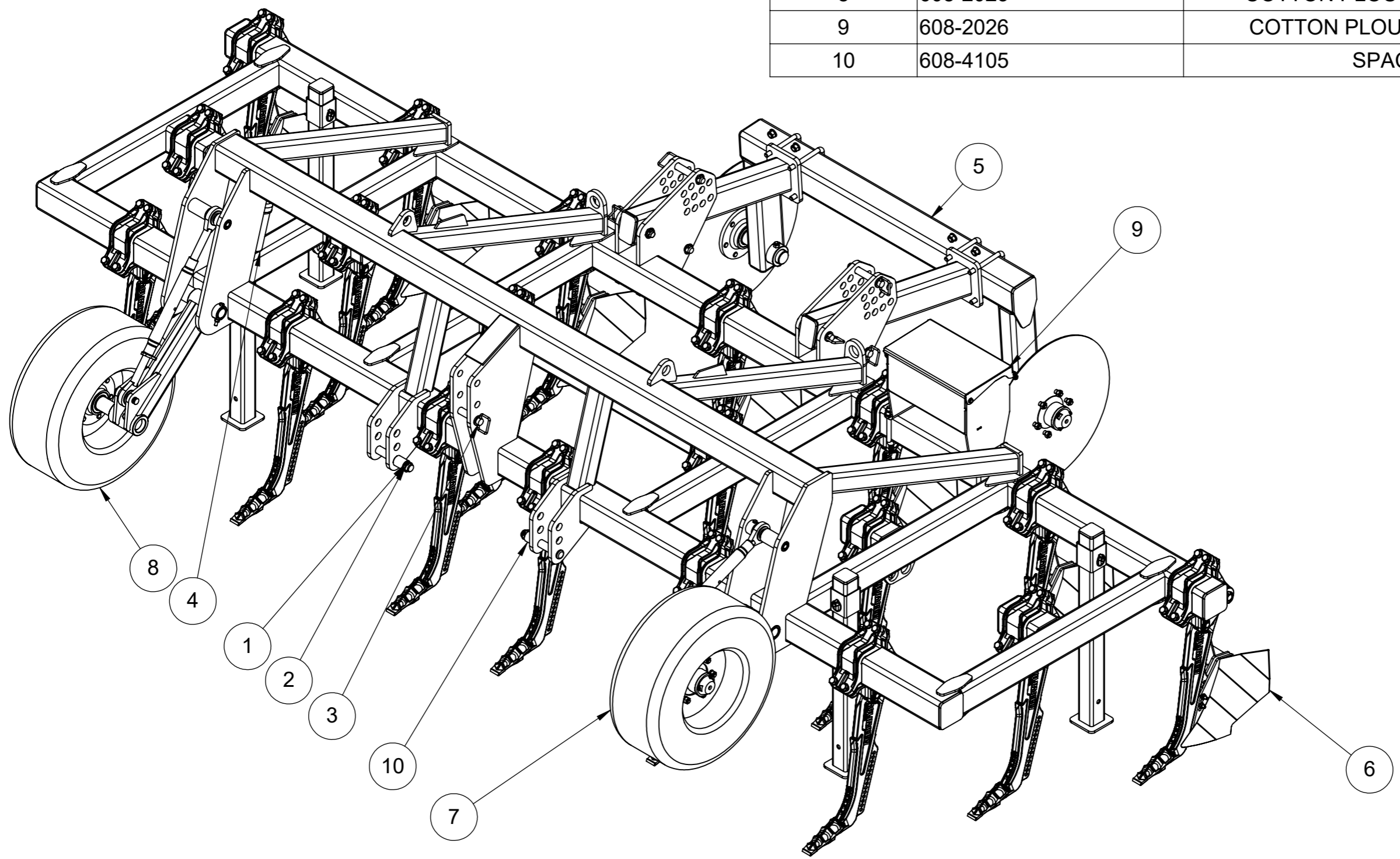
AGROW PLOW[®]

CP62 SPARE PARTS MANUAL

Table of Contents

608-1000 COTTON PLOW SIDE BUSTER 6m CAT3	3
608-1001 COTTON PLOW CEBTRE BUSTER 6m CAT3	4
608-2000 COTTON PLOW SIDE BUSTER 6m CAT3	5
608-2001 COTTON PLOW CENTRE BUSTER 6m CAT3	8
608-2022 COTTON PLOW ARM LH	11
608-2023 COTTON PLOW ARM RH	12
608-2024 COTTON PLOW SAFETY STAN ASSEMBLY	13
608-1005 STABILISER ARM COTTON PLOW	14
111-2041 MARK 2 HILLER ASSEMBLY.....	15
139-2038 65 SERIES STUB AXLE	16
022-1000 #9v2 RIGID SHANK ASSEMBLY	17

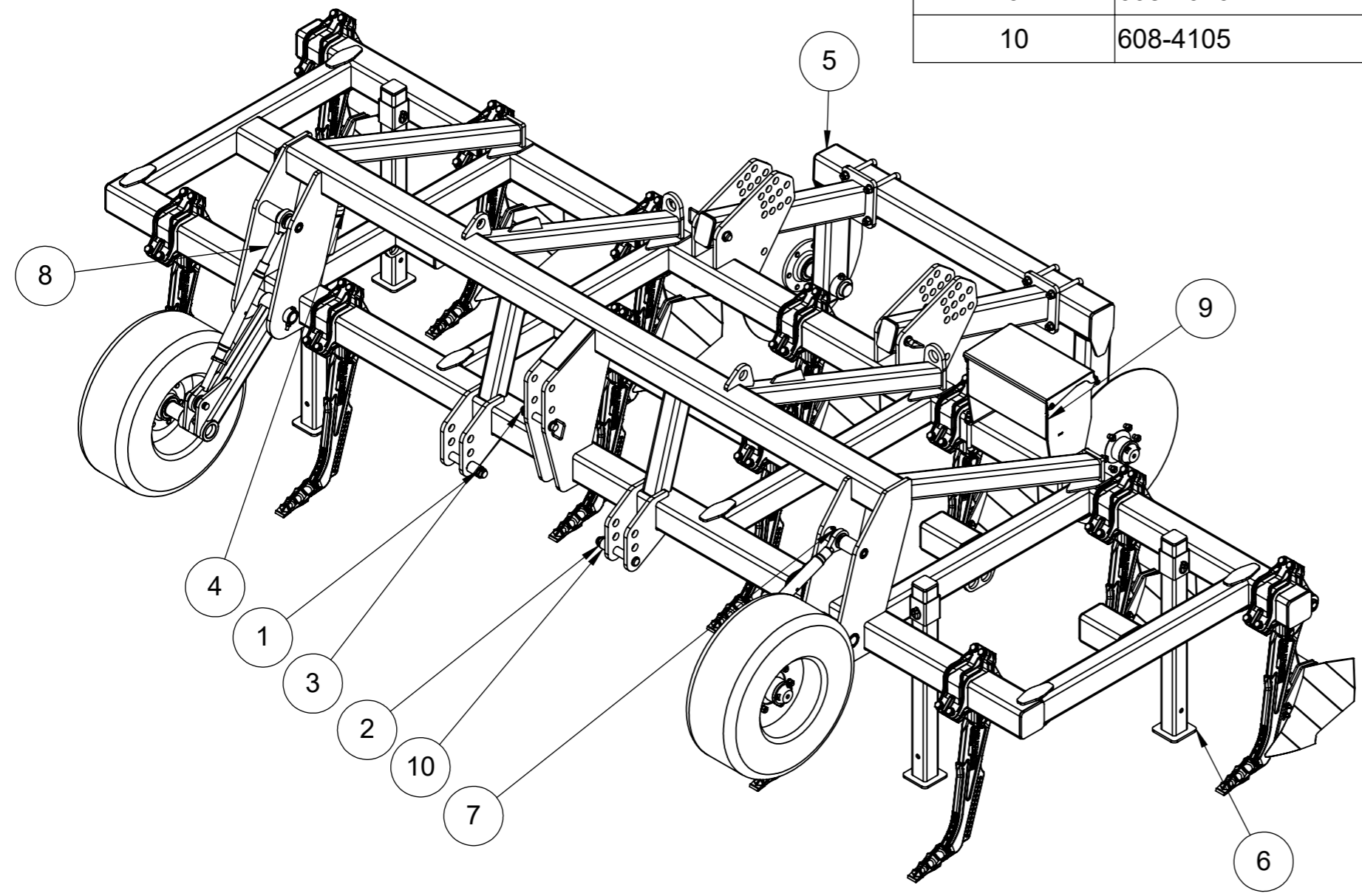
ITEM NO.	PART NUMBER	DESCRIPTION	QTY.
1	140-0008	PIN CLEVIS 1 7/16" 203mm	2
2	140-0039	LINCH PIN 11mm 32mm	2
3	140-4102	PIN DRAWBAR 1 1/4" 160mm	6
4	202-0099	PLASTIC DOCK HOLDER	1
5	608-1005	COTTON PLOW STABILISER	1
6	608-2000	COTTON PLOW SIDE BUSTER 6m CAT3	1
7	608-2022	COTTON PLOUGH WHEEL LH	1
8	608-2023	COTTON PLOUGH WHEEL RH	1
9	608-2026	COTTON PLOUGH TOOLBOX	1
10	608-4105	SPACER	2



AGROWPLOW COPYRIGHT RESERVED <small>THIS DRAWING IS THE PROPERTY AGROWPLOW PTY LTD, AND IS SUBJECT TO RETURN UPON DEMAND. IT IS SUBMITTED FOR USE ONLY IN CONNECTION WITH PROPOSALS OR CONTRACTS OF THIS ORGANISATION UPON THE EXPRESS CONDITION THAT IT IS NOT TO BE USED DIRECTLY OR INDIRECTLY IN ANY WAY DETRIMENTAL TO THE INTERESTS OF AGROWPLOW PTY LTD.</small>	COTTON PLOW SIDE BUSTER 6m CAT3	PART NUMBER 608-1000
		SHEET: PAGE: 1 OF 1

LAST PRINTED 19/03/2024 TOTAL MASS 3411.19 Kg

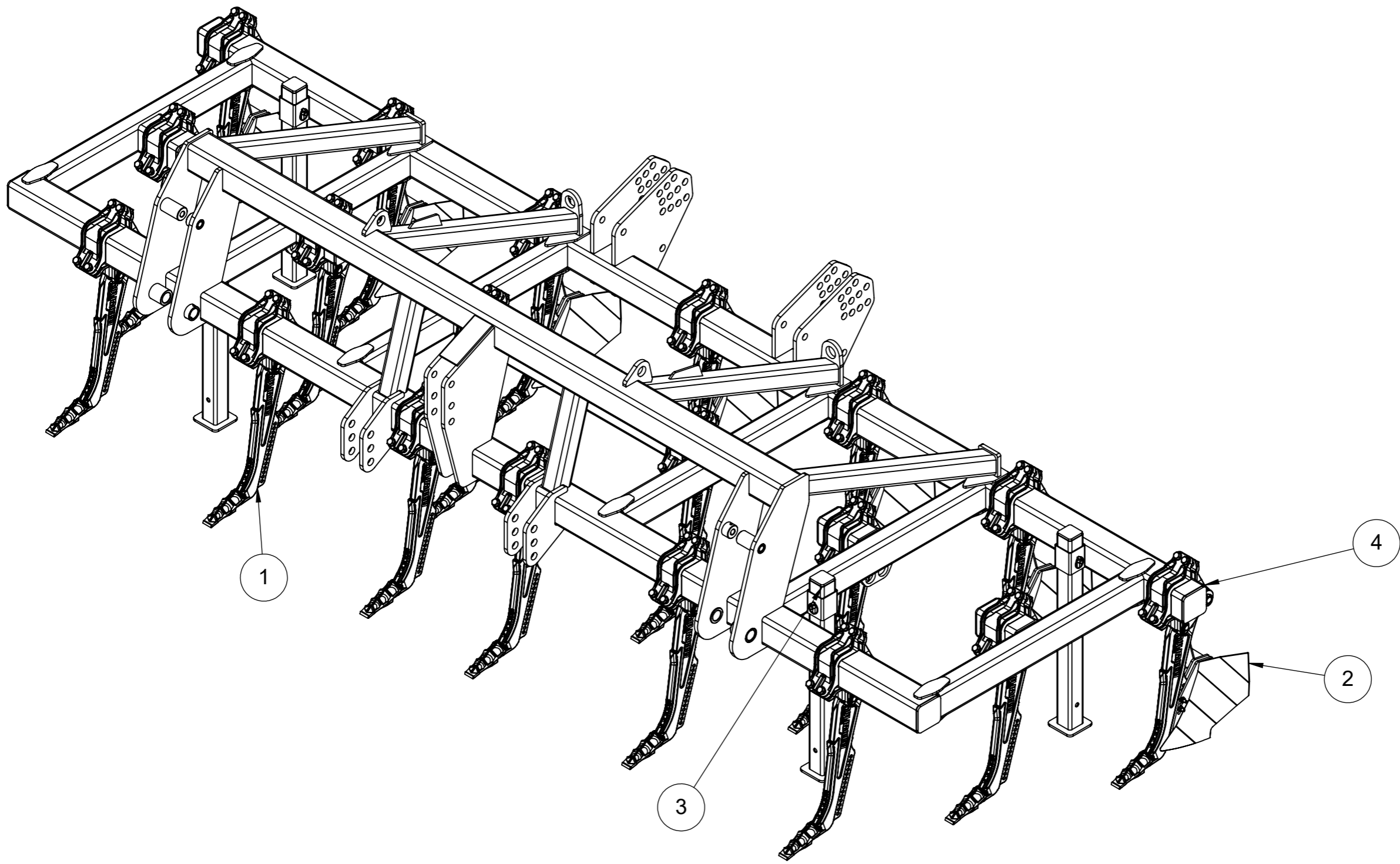
ITEM NO.	PART NUMBER	DESCRIPTION	QTY.
1	140-0008	PIN CLEVIS 1 7/16" 203mm	2
2	140-0039	LINCH PIN 11mm 32mm	2
3	140-4102	PIN DRAWBAR 1 1/4" 160mm	1
4	202-0099	PLASTIC DOCK HOLDER	1
5	608-1005	COTTON PLOW STABILISER	1
6	608-2001	COTTON PLOW CENTER BUSTER 6m CAT3	1
7	608-2022	COTTON PLOUGH WHEEL LH	1
8	608-2023	COTTON PLOUGH WHEEL RH	1
9	608-2026	COTTON PLOUGH TOOLBOX	1
10	608-4105	SPACER	2



AGROWPLOW COPYRIGHT RESERVED <small>THIS DRAWING IS THE PROPERTY AGROWPLOW PTY LTD, AND IS SUBJECT TO RETURN UPON DEMAND. IT IS SUBMITTED FOR USE ONLY IN CONNECTION WITH PROPOSALS OR CONTRACTS OF THIS ORGANISATION UPON THE EXPRESS CONDITION THAT IT IS NOT TO BE USED DIRECTLY OR INDIRECTLY IN ANY WAY DETRIMENTAL TO THE INTERESTES OF AGROWPLOW PTY LTD.</small>	COTTON PLOW CENTER BUSTER 6m CAT3	PART NUMBER 608-1001
		SHEET: PAGE: 1 OF 1

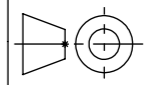
LAST PRINTED 19/03/2024 TOTAL MASS 3046.35 Kg

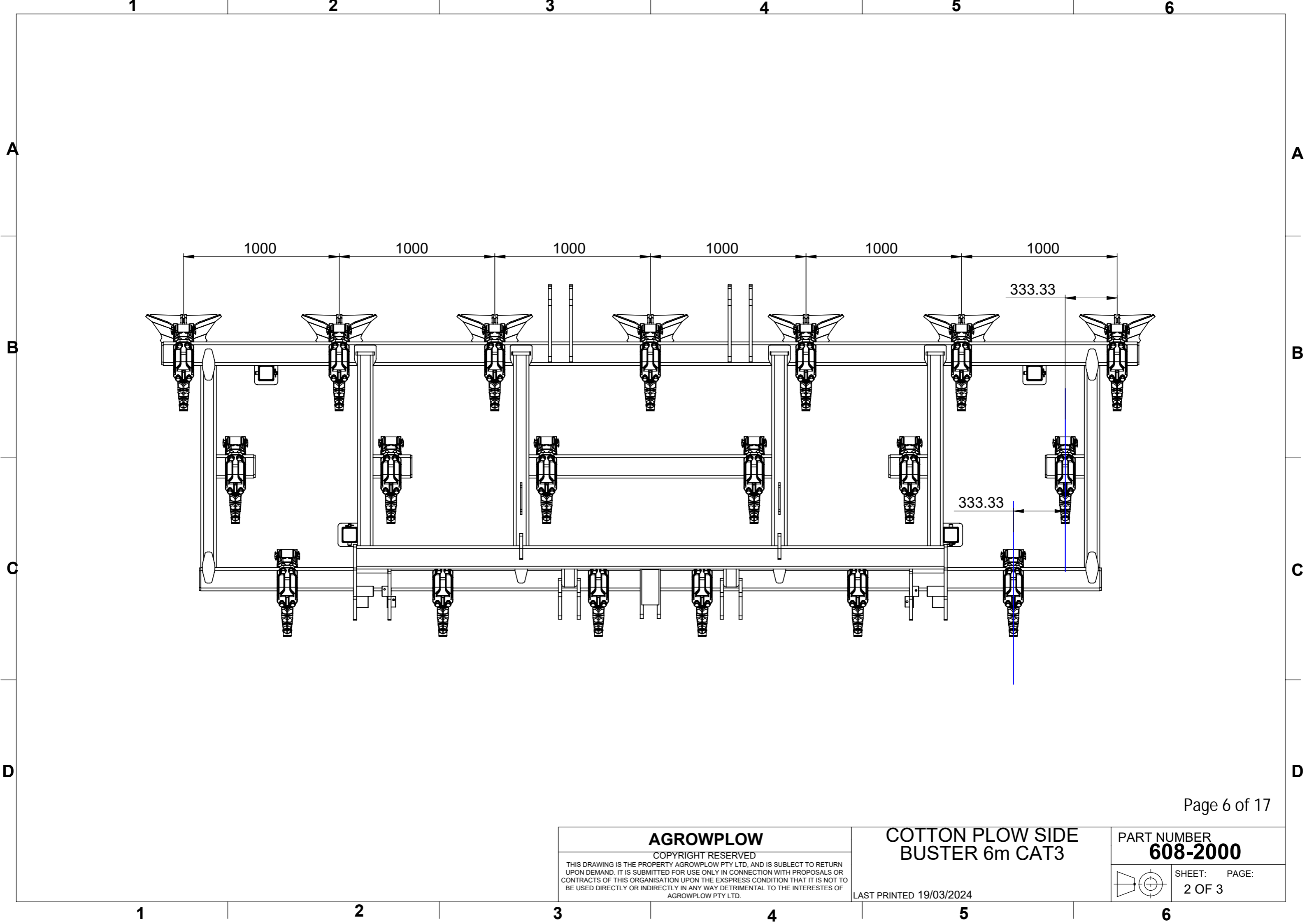
ITEM NO.	PART NUMBER	DESCRIPTION	QTY.
1	022-1003	#9 150x150 RIGID 600	19
2	111-2041	FURROWERS ASSEMBLY	7
3	608-2024	COTTON PLOUGH SAFETY STAND ASSEMBLY	4
4	608-3000	COTTON PLOW COMBO BUSTER 6m CAT3	1



<p>AGROWFLOW COPYRIGHT RESERVED THIS DRAWING IS THE PROPERTY AGROWFLOW PTY LTD, AND IS SUBJECT TO RETURN UPON DEMAND. IT IS SUBMITTED FOR USE ONLY IN CONNECTION WITH PROPOSALS OR CONTRACTS OF THIS ORGANISATION UPON THE EXPRESS CONDITION THAT IT IS NOT TO BE USED DIRECTLY OR INDIRECTLY IN ANY WAY DETRIMENTAL TO THE INTERESTS OF AGROWFLOW PTY LTD.</p>	<p>COTTON PLOW SIDE BUSTER 6m CAT3</p>	<p>PART NUMBER 608-2000</p>
		<p>SHEET: PAGE: 1 OF 3</p>

LAST PRINTED 19/03/2024 TOTAL MASS 2847.98 Kg

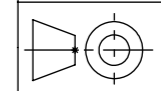


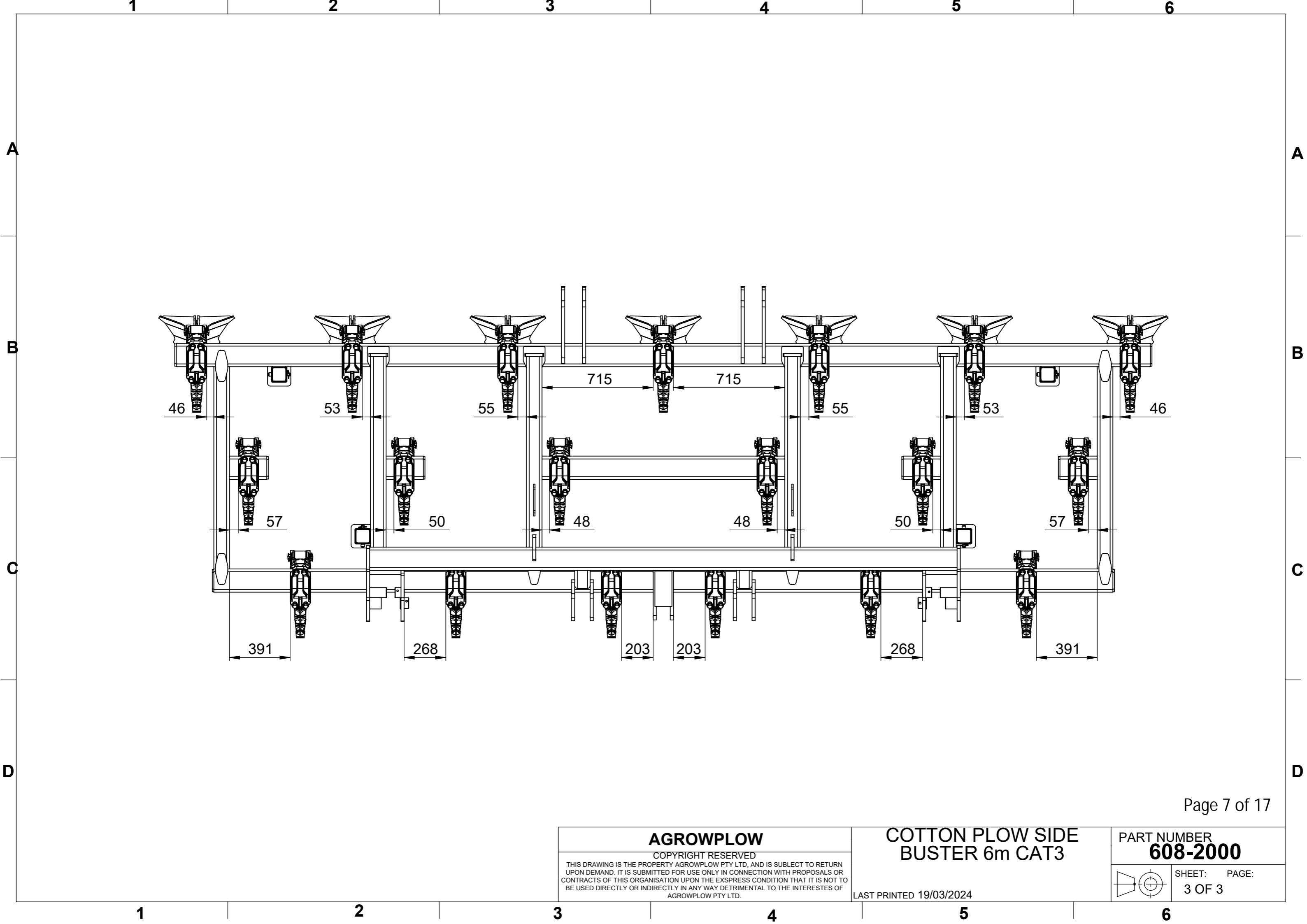


AGROWFLOW
 COPYRIGHT RESERVED
 THIS DRAWING IS THE PROPERTY AGROWFLOW PTY LTD, AND IS SUBJECT TO RETURN UPON DEMAND. IT IS SUBMITTED FOR USE ONLY IN CONNECTION WITH PROPOSALS OR CONTRACTS OF THIS ORGANISATION UPON THE EXPRESS CONDITION THAT IT IS NOT TO BE USED DIRECTLY OR INDIRECTLY IN ANY WAY DETRIMENTAL TO THE INTERESTES OF AGROWFLOW PTY LTD.

COTTON PLOW SIDE BUSTER 6m CAT3
 LAST PRINTED 19/03/2024

PART NUMBER
608-2000
 SHEET: PAGE:
 2 OF 3

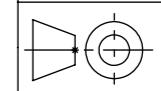




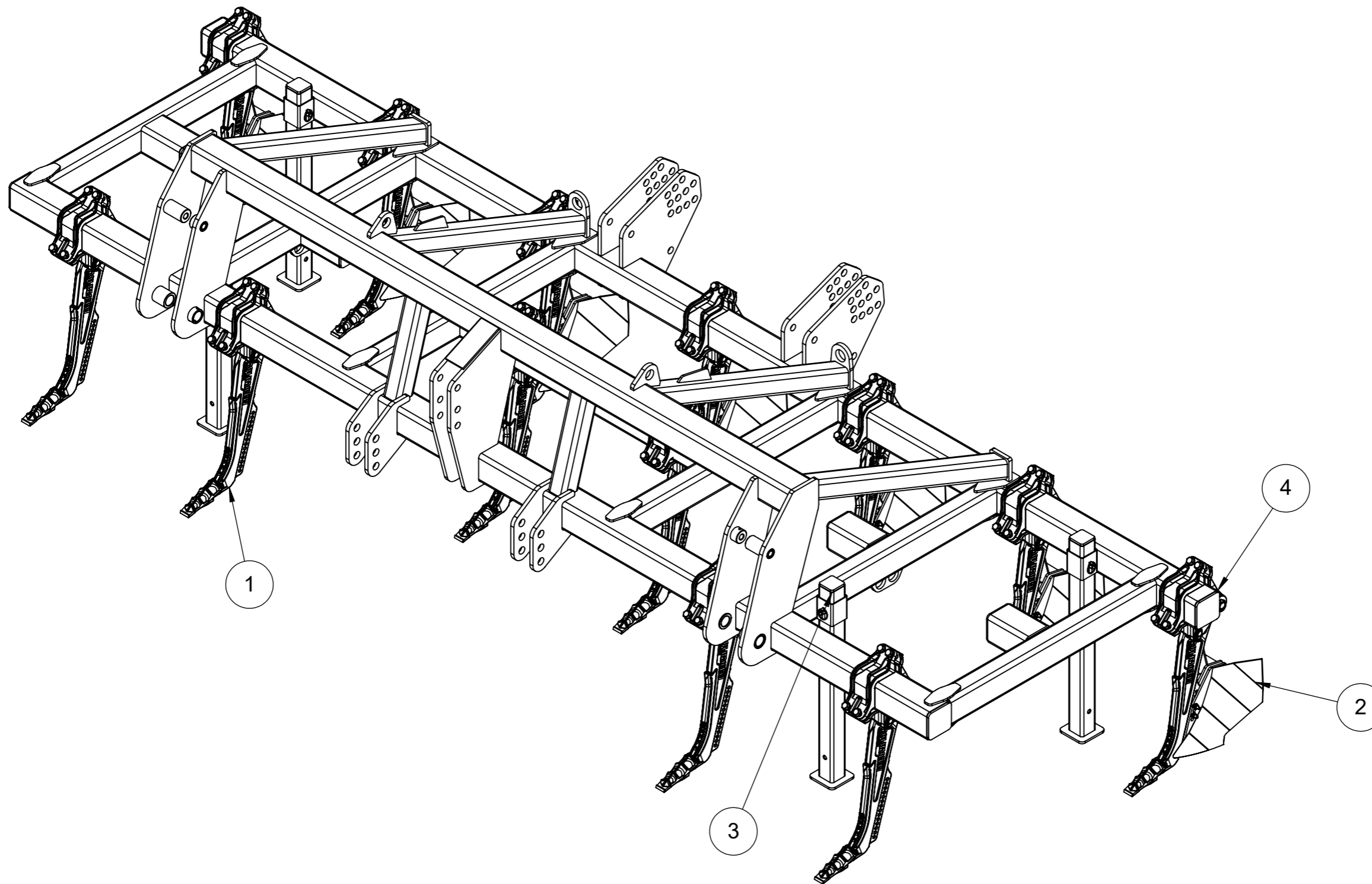
AGROWFLOW
 COPYRIGHT RESERVED
 THIS DRAWING IS THE PROPERTY AGROWFLOW PTY LTD, AND IS SUBJECT TO RETURN UPON DEMAND. IT IS SUBMITTED FOR USE ONLY IN CONNECTION WITH PROPOSALS OR CONTRACTS OF THIS ORGANISATION UPON THE EXPRESS CONDITION THAT IT IS NOT TO BE USED DIRECTLY OR INDIRECTLY IN ANY WAY DETRIMENTAL TO THE INTERESTS OF AGROWFLOW PTY LTD.

COTTON PLOW SIDE BUSTER 6m CAT3
 LAST PRINTED 19/03/2024

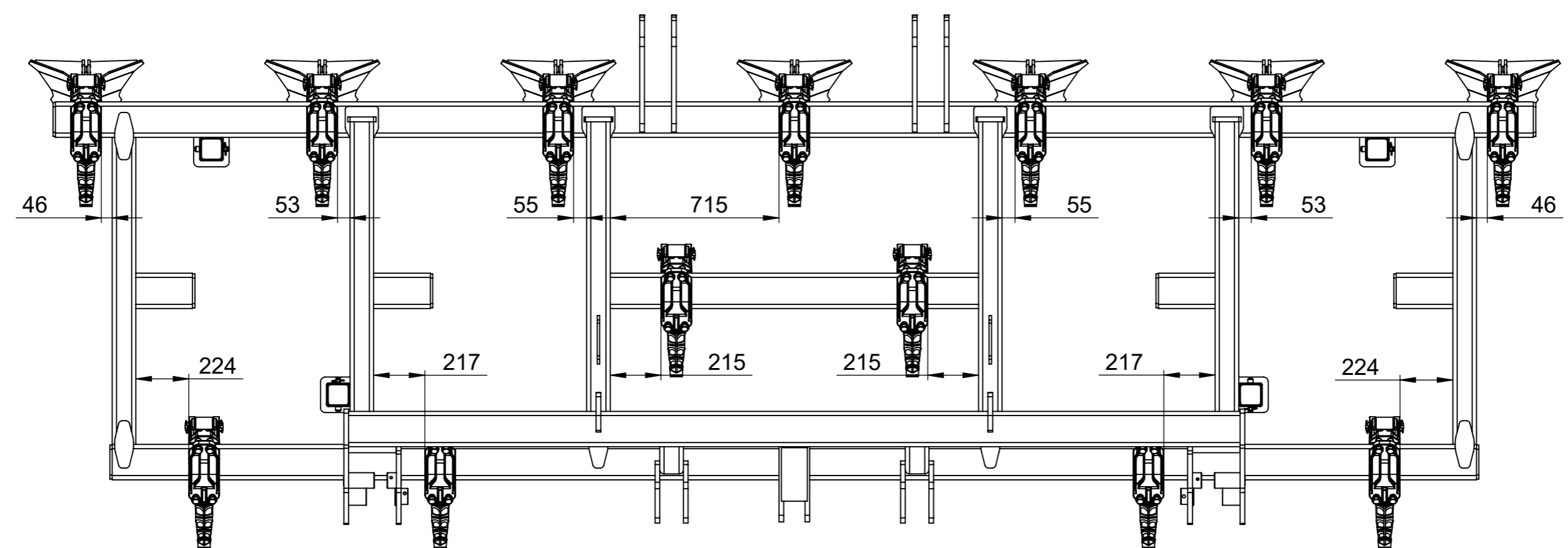
PART NUMBER
608-2000
 SHEET: PAGE:
 3 OF 3



ITEM NO.	PART NUMBER	DESCRIPTION	QTY.
1	022-1003	#9 150x150 RIGID 600	13
2	111-2041	FURROWERS ASSEMBLY	7
3	608-2024	COTTON PLOUGH SAFETY STAND ASSEMBLY	4
4	608-3000	COTTON PLOW COMBO BUSTER 6m CAT3	1



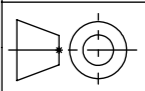
<p>AGROWFLOW</p> <p>COPYRIGHT RESERVED</p> <p>THIS DRAWING IS THE PROPERTY AGROWFLOW PTY LTD, AND IS SUBJECT TO RETURN UPON DEMAND. IT IS SUBMITTED FOR USE ONLY IN CONNECTION WITH PROPOSALS OR CONTRACTS OF THIS ORGANISATION UPON THE EXPRESS CONDITION THAT IT IS NOT TO BE USED DIRECTLY OR INDIRECTLY IN ANY WAY DETRIMENTAL TO THE INTERESTS OF AGROWFLOW PTY LTD.</p>	<p>COTTON PLOW CENTER BUSTER 6m CAT3</p> <p>LAST PRINTED 19/03/2024 TOTAL MASS 2492.06 Kg</p>	<p>PART NUMBER</p> <p>608-2001</p>
		<p>SHEET: PAGE:</p> <p>1 OF 3</p>

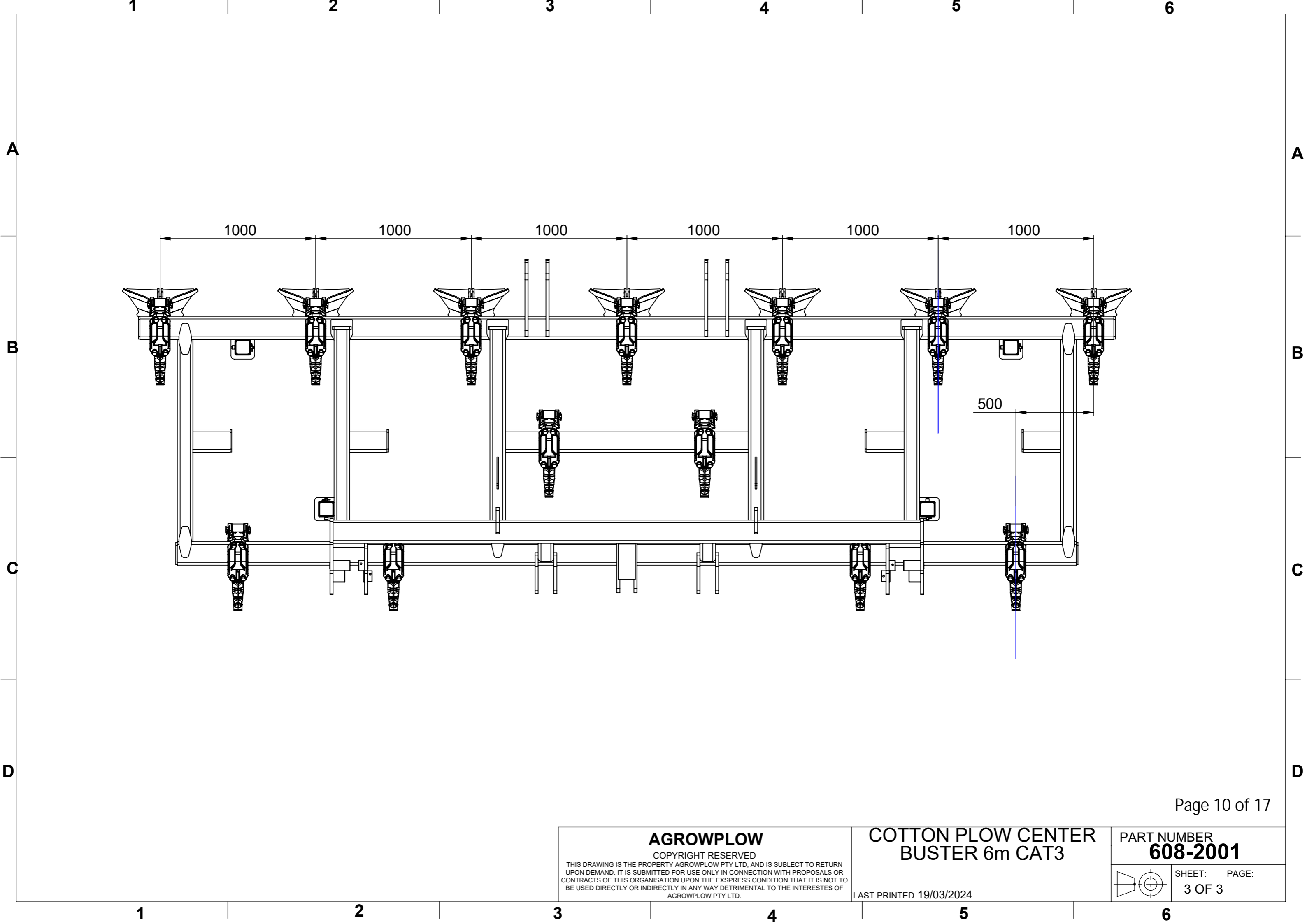


AGROWFLOW
 COPYRIGHT RESERVED
 THIS DRAWING IS THE PROPERTY AGROWFLOW PTY LTD, AND IS SUBJECT TO RETURN UPON DEMAND. IT IS SUBMITTED FOR USE ONLY IN CONNECTION WITH PROPOSALS OR CONTRACTS OF THIS ORGANISATION UPON THE EXPRESS CONDITION THAT IT IS NOT TO BE USED DIRECTLY OR INDIRECTLY IN ANY WAY DETRIMENTAL TO THE INTERESTES OF AGROWFLOW PTY LTD.

**COTTON PLOW CENTER
 BUSTER 6m CAT3**
 LAST PRINTED 19/03/2024

PART NUMBER
608-2001
 SHEET: PAGE:
 2 OF 3



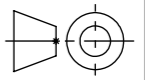


AGROWFLOW
 COPYRIGHT RESERVED
 THIS DRAWING IS THE PROPERTY AGROWFLOW PTY LTD, AND IS SUBJECT TO RETURN UPON DEMAND. IT IS SUBMITTED FOR USE ONLY IN CONNECTION WITH PROPOSALS OR CONTRACTS OF THIS ORGANISATION UPON THE EXPRESS CONDITION THAT IT IS NOT TO BE USED DIRECTLY OR INDIRECTLY IN ANY WAY DETRIMENTAL TO THE INTERESTES OF AGROWFLOW PTY LTD.

**COTTON PLOW CENTER
 BUSTER 6m CAT3**

LAST PRINTED 19/03/2024

PART NUMBER
608-2001



SHEET: PAGE:
 3 OF 3

1

2

3

4

5

6

A

A

B

B

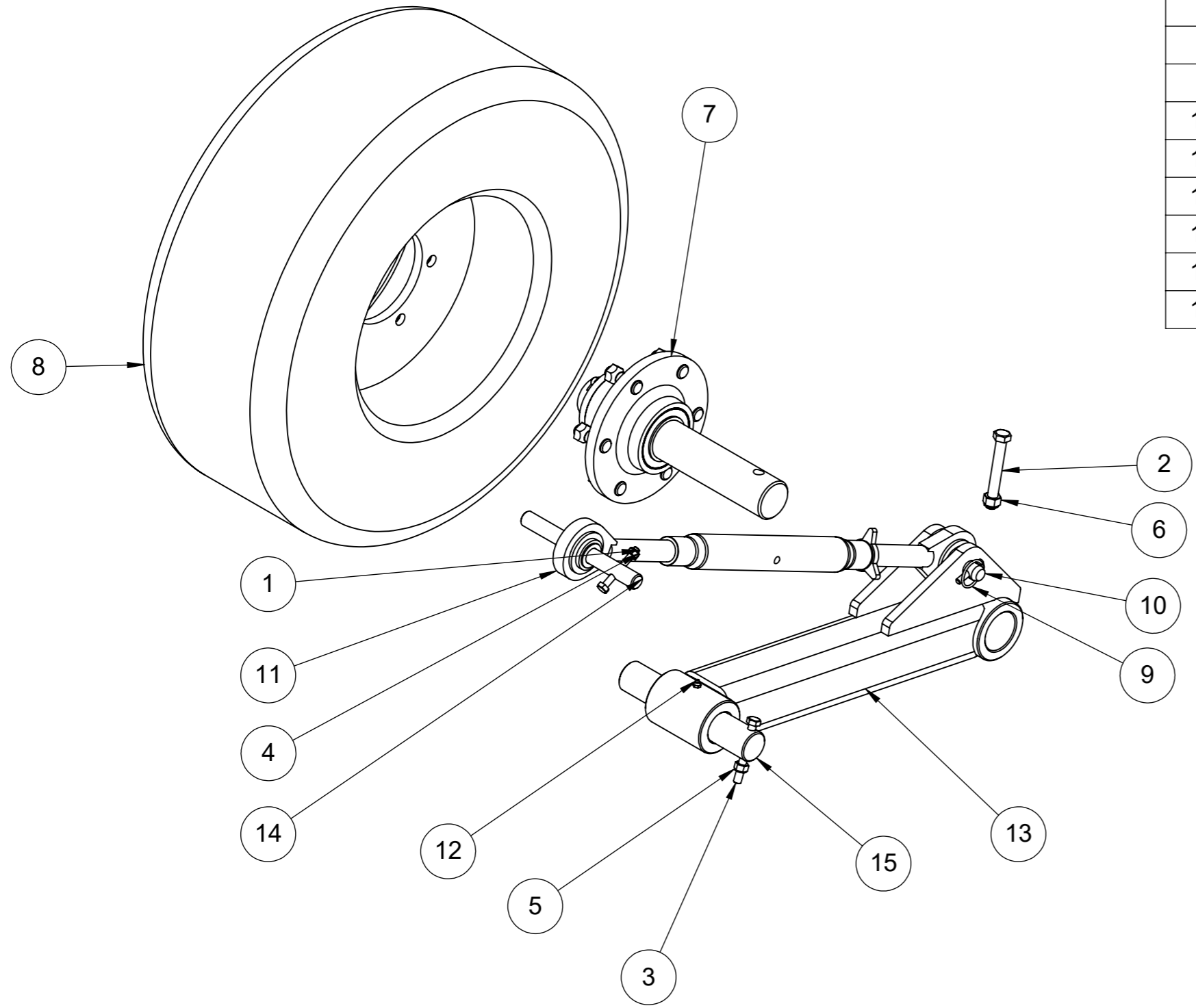
C

C

D

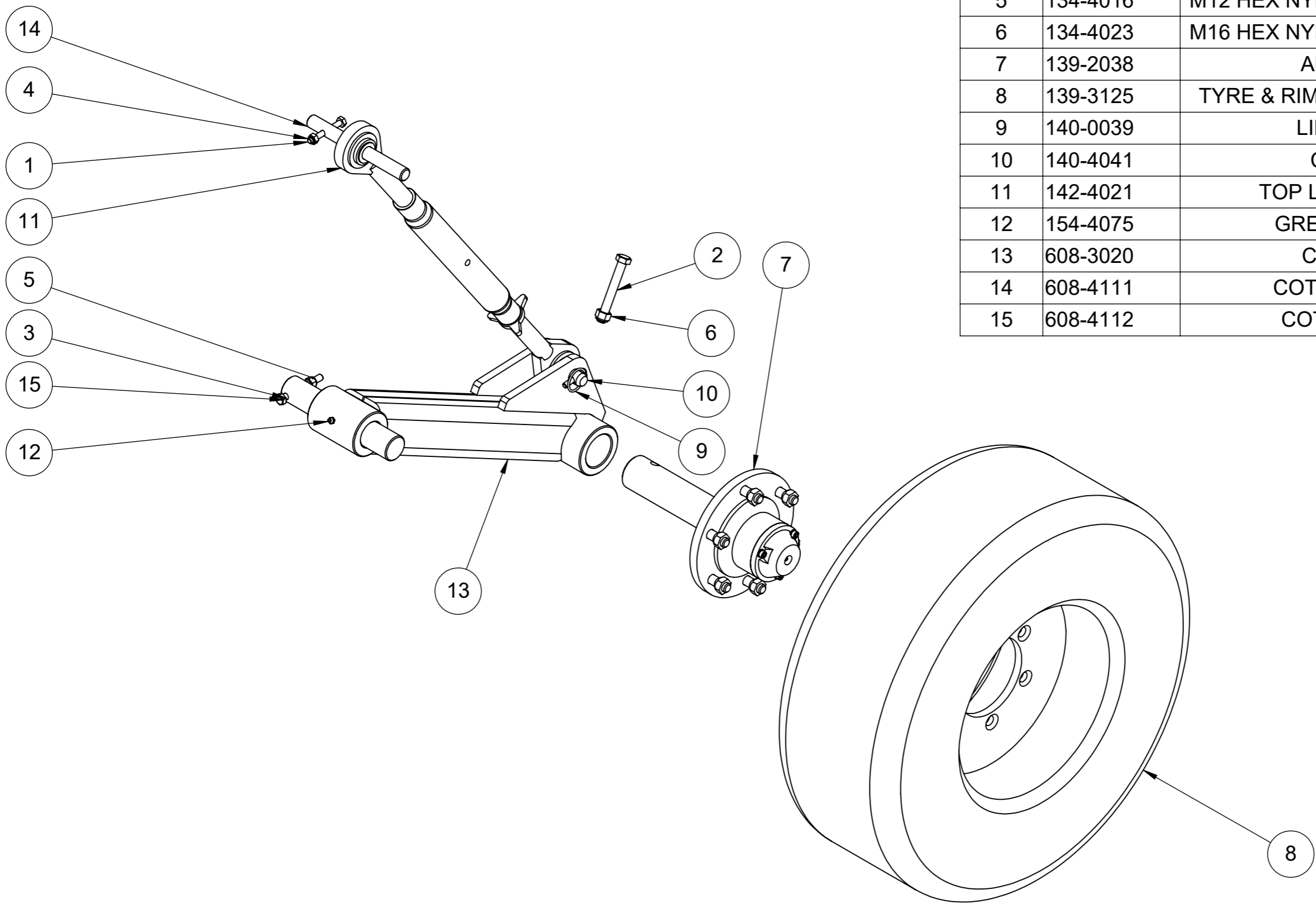
D

ITEM NO.	PART NUMBER	DESCRIPTION	QTY.
1	133-4053	M10 x 80 HEX BOLT ZINC GRADE8.8	1
2	133-4106	M16 x 120 HEX BOLT ZINC GR8.8	1
3	133-4109	M12 x 100 HEX BOLT ZINC GR8.8	1
4	134-0050	M10 HEX NYLOCK NUT ZINC PLATED GR 8.8	1
5	134-4016	M12 HEX NYLOCK NUT ZINC PLATED GR 8.8	1
6	134-4023	M16 HEX NYLOCK NUT ZINC PLATED GR 8.8	1
7	139-2038	AD240 AXLE AND HUB	1
8	139-3125	TYRE & RIM 11.5/80-15.3 6STUD BEDFORD	1
9	140-0039	LINCH PIN 11mm 32mm	1
10	140-4041	CLEVIS PIN 1" 87mm	1
11	142-4021	TOP LINK JUMBO, CAT2 B2660	1
12	154-4075	GREASE NIPPLE 1/8" B.S.P.	1
13	608-3020	COTTON WHEEL ARM	1
14	608-4111	COTTON WHEEL PIVOT PIN	1
15	608-4112	COTTON WHEEL ARM PIN	1



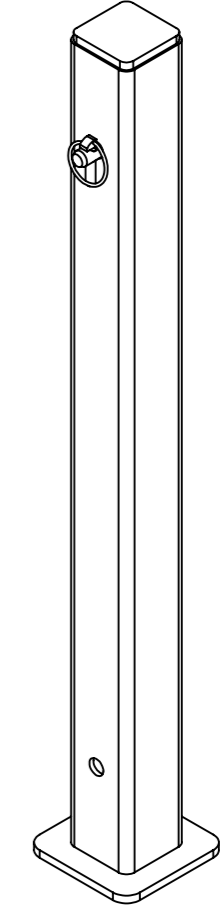
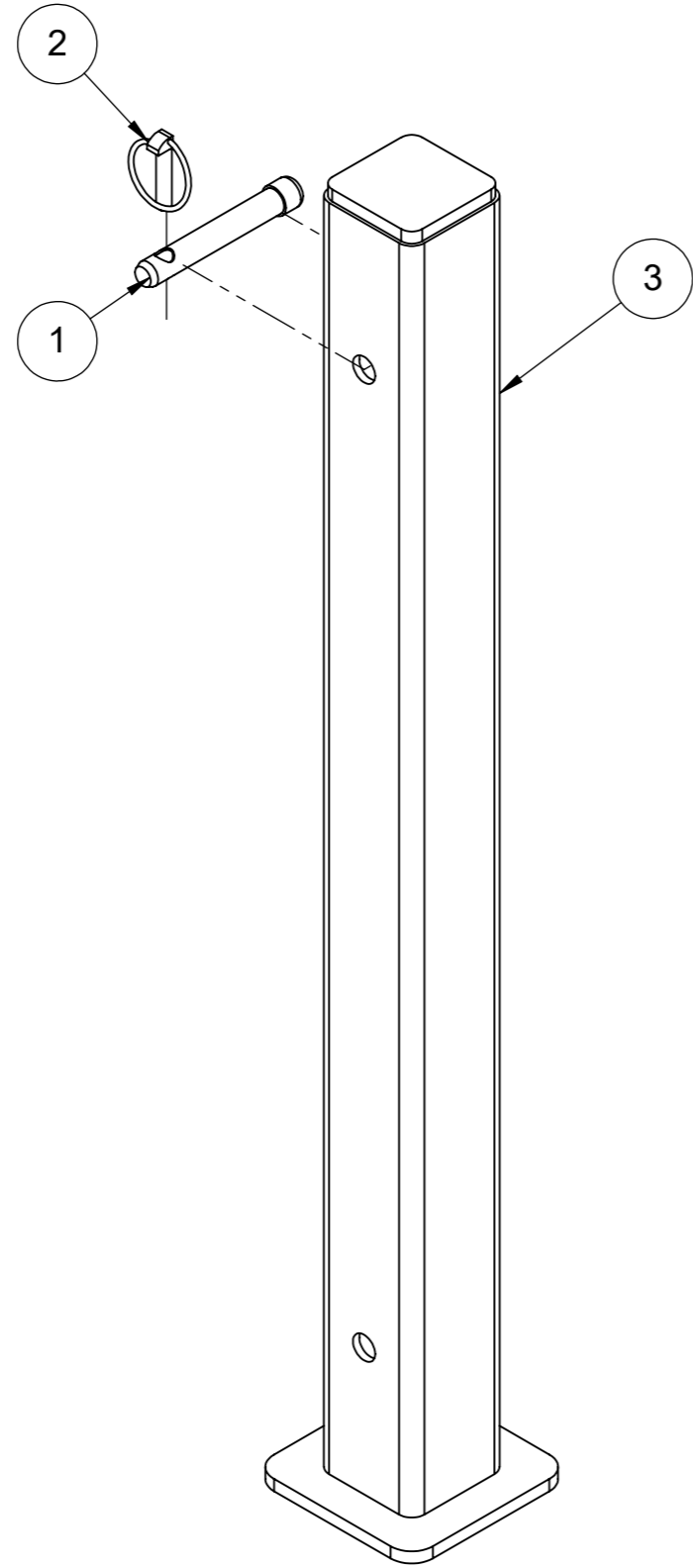
AGROWFLOW	COTTON PLOUGH ARM LH	PART NUMBER 608-2022
COPYRIGHT RESERVED THIS DRAWING IS THE PROPERTY AGROWFLOW PTY LTD, AND IS SUBJECT TO RETURN UPON DEMAND. IT IS SUBMITTED FOR USE ONLY IN CONNECTION WITH PROPOSALS OR CONTRACTS OF THIS ORGANISATION UPON THE EXPRESS CONDITION THAT IT IS NOT TO BE USED DIRECTLY OR INDIRECTLY IN ANY WAY DETRIMENTAL TO THE INTERESTES OF AGROWFLOW PTY LTD.	LAST PRINTED 19/03/2024 TOTAL MASS 103.31 Kg	SHEET: PAGE: 1 OF 1

ITEM NO.	PART NUMBER	DESCRIPTION	QTY.
1	133-4053	M10 x 80 HEX BOLT ZINC GRADE8.8	1
2	133-4106	M16 x 120 HEX BOLT ZINC GR8.8	1
3	133-4109	M12 x 100 HEX BOLT ZINC GR8.8	1
4	134-0050	M10 HEX NYLOCK NUT ZINC PLATED GR 8.8	1
5	134-4016	M12 HEX NYLOCK NUT ZINC PLATED GR 8.8	1
6	134-4023	M16 HEX NYLOCK NUT ZINC PLATED GR 8.8	1
7	139-2038	AD240 AXLE AND HUB	1
8	139-3125	TYRE & RIM 11.5/80-15.3 6STUD BEDFORD	1
9	140-0039	LINCH PIN 11mm 32mm	1
10	140-4041	CLEVIS PIN 1" 87mm	1
11	142-4021	TOP LINK JUMBO, CAT2 B2660	1
12	154-4075	GREASE NIPPLE 1/8" B.S.P.	1
13	608-3020	COTTON WHEEL ARM	1
14	608-4111	COTTON WHEEL PIVOT PIN	1
15	608-4112	COTTON WHEEL ARM PIN	1

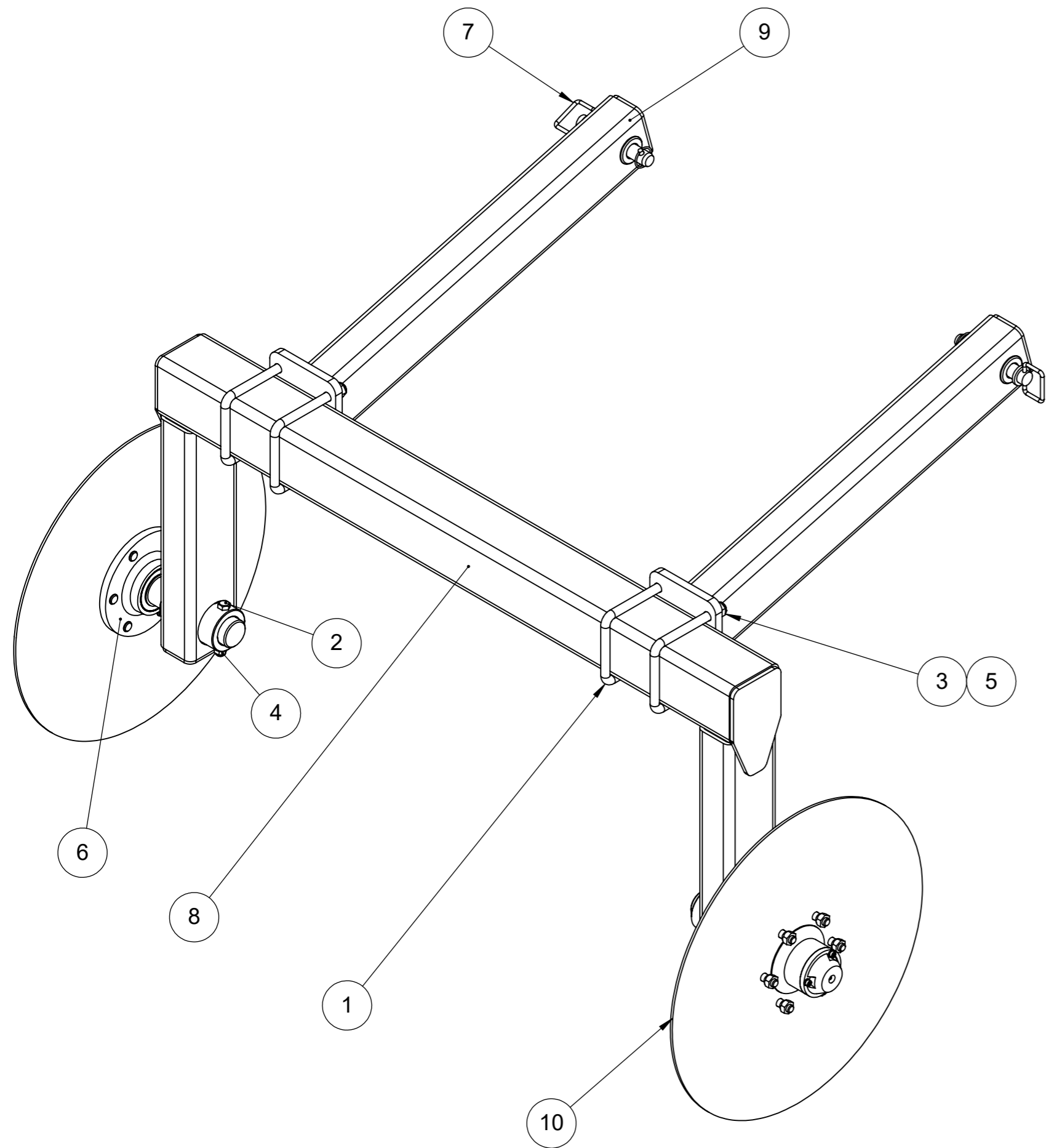


AGROWFLOW COPYRIGHT RESERVED <small>THIS DRAWING IS THE PROPERTY AGROWFLOW PTY LTD, AND IS SUBJECT TO RETURN UPON DEMAND. IT IS SUBMITTED FOR USE ONLY IN CONNECTION WITH PROPOSALS OR CONTRACTS OF THIS ORGANISATION UPON THE EXPRESS CONDITION THAT IT IS NOT TO BE USED DIRECTLY OR INDIRECTLY IN ANY WAY DETRIMENTAL TO THE INTERESTES OF AGROWFLOW PTY LTD.</small>	COTTONFLOW ARM RH	PART NUMBER 608-2023
	<small>LAST PRINTED 19/03/2024 TOTAL MASS 103.31 Kg</small>	

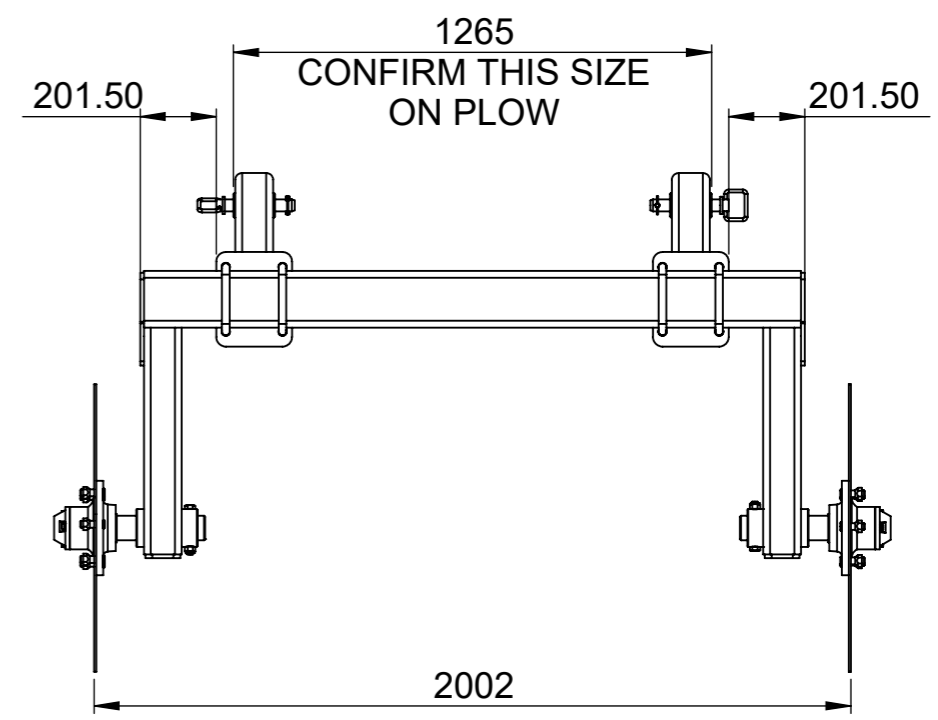
ITEM NO.	PART NUMBER	DESCRIPTION	QTY.
1	140-0002	PIN CLEVIS 3/4" 98mm CAT 1 TOP	1
2	140-0041	LINCH PIN 11mm 42mm	1
3	608-3021	COTTON PLOUGH SAFETY STAND	1



<p>AGROWFLOW</p> <p>COPYRIGHT RESERVED</p> <p><small>THIS DRAWING IS THE PROPERTY AGROWFLOW PTY LTD, AND IS SUBJECT TO RETURN UPON DEMAND. IT IS SUBMITTED FOR USE ONLY IN CONNECTION WITH PROPOSALS OR CONTRACTS OF THIS ORGANISATION UPON THE EXPRESS CONDITION THAT IT IS NOT TO BE USED DIRECTLY OR INDIRECTLY IN ANY WAY DETRIMENTAL TO THE INTERESTES OF AGROWFLOW PTY LTD.</small></p>	<p>COTTON PLOUGH SAFETY STAND ASSEMBLY</p> <p>LAST PRINTED 19/03/2024 TOTAL MASS 18.16 Kg</p>	<p>PART NUMBER</p> <p>608-2024</p>
		<p>SHEET: PAGE:</p> <p>1 OF 1</p>



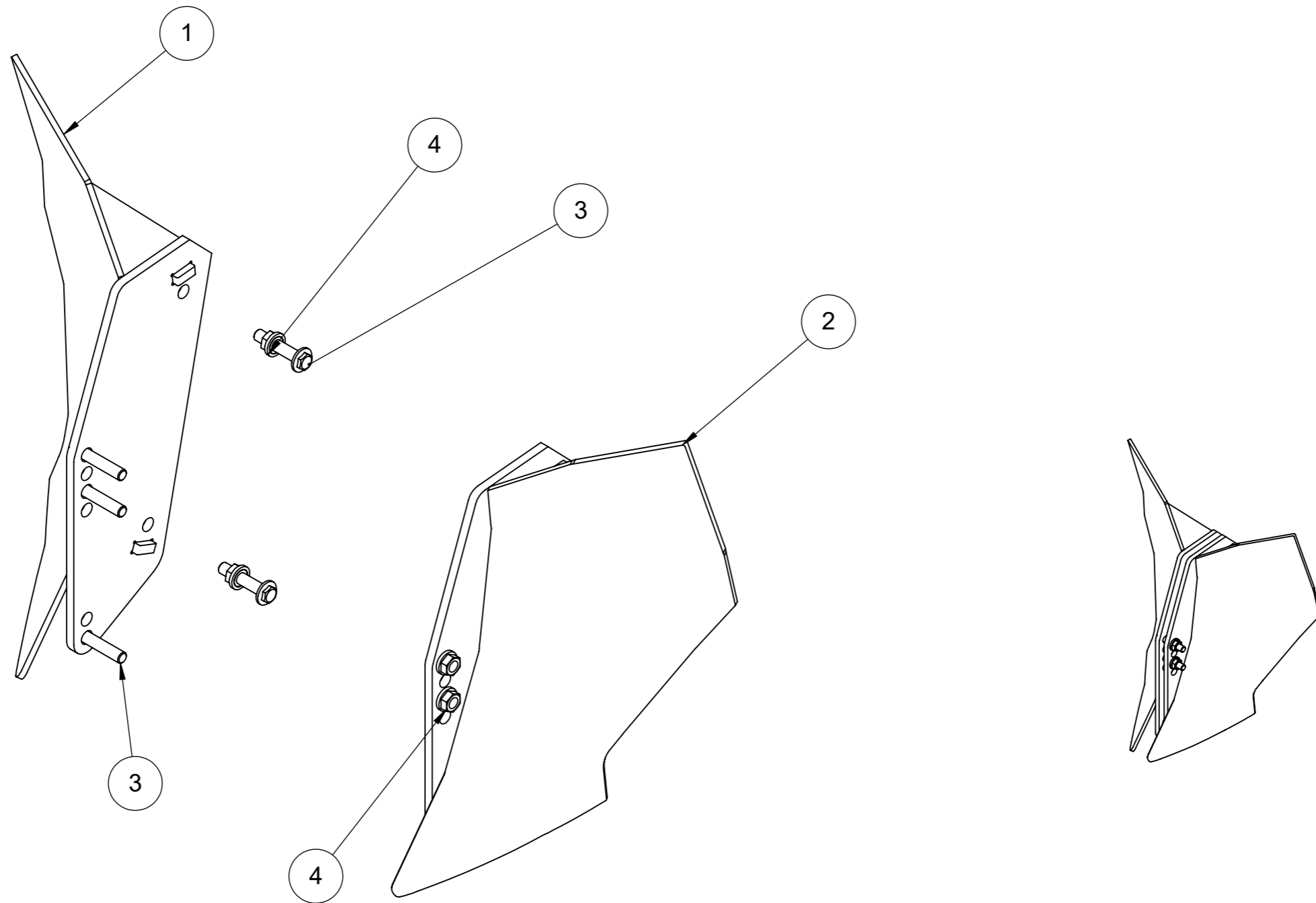
ITEM NO.	PART NUMBER	DESCRIPTION	QTY.
1	130-4008	U BOLT M20 150x200	4
2	133-4106	M16 x 120 HEX BOLT ZINC GR8.8	2
3	134-1046	M20 HEX NYLOCK NUT ZINC PLATED	8
4	134-4023	M16 HEX NYLOCK NUT ZINC PLATED GR 8.8	2
5	135-3040	WASHER FLAT M20 OD38x3.0 ZINC	8
6	139-2038	AD240 AXLE AND HUB	2
7	140-4102	PIN DRAWBAR 1 1/4" 160mm	2
8	608-3022	STABILISER ARM	1
9	608-3024	STABILISER SUPPORT ARM	2
10	608-4090	BIZ STABILISER DISC	2



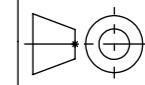
<p>AGROWFLOW</p> <p>COPYRIGHT RESERVED</p> <p>THIS DRAWING IS THE PROPERTY AGROWFLOW PTY LTD, AND IS SUBJECT TO RETURN UPON DEMAND. IT IS SUBMITTED FOR USE ONLY IN CONNECTION WITH PROPOSALS OR CONTRACTS OF THIS ORGANISATION UPON THE EXPRESS CONDITION THAT IT IS NOT TO BE USED DIRECTLY OR INDIRECTLY IN ANY WAY DETRIMENTAL TO THE INTERESTES OF AGROWFLOW PTY LTD.</p>	<p>STABILISER ARM COTTON PLOW</p>	<p>PART NUMBER</p> <p>608-1005</p>
		<p>SHEET: PAGE:</p> <p>1 OF 1</p>

LAST PRINTED 19/03/2024 TOTAL MASS 294.99 Kg

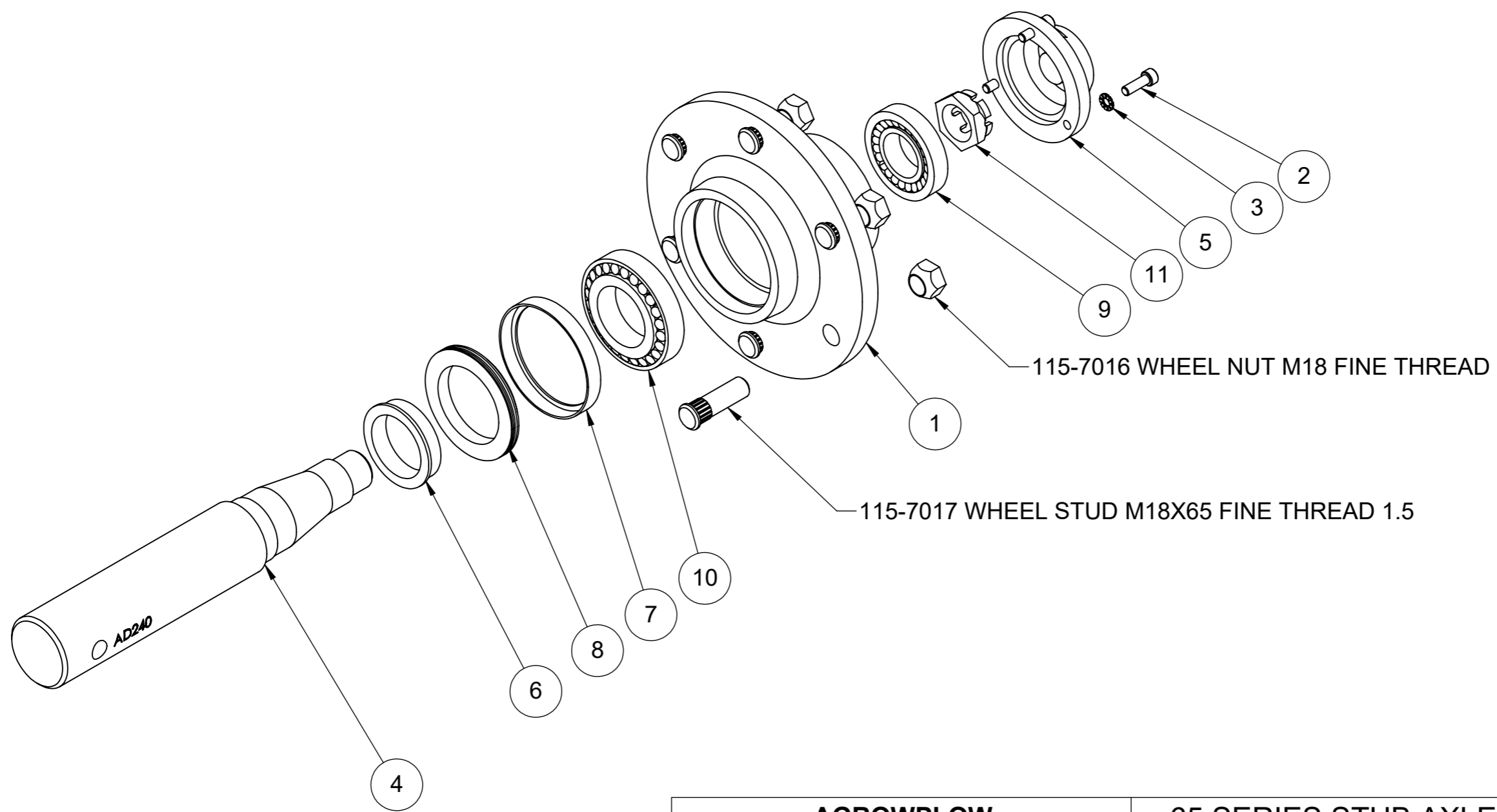
ITEM NO.	PART NUMBER	DESCRIPTION	QTY.
1	111-3029	RH FURROWER ASSEMBLY	1
2	111-3039	LH FURROWER ASSEMBLY	1
3	133-4135	M12 x 60 HEX FLANGE BOLT ZINC GR 8.8	5
4	202-0053	M12 HEX NUT ZINC FLANGE GR 8.8	5



AGROWFLOW	MARK 2 HILLER ASSEMBLY	PART NUMBER 111-2041
COPYRIGHT RESERVED THIS DRAWING IS THE PROPERTY AGROWFLOW PTY LTD, AND IS SUBJECT TO RETURN UPON DEMAND. IT IS SUBMITTED FOR USE ONLY IN CONNECTION WITH PROPOSALS OR CONTRACTS OF THIS ORGANISATION UPON THE EXPRESS CONDITION THAT IT IS NOT TO BE USED DIRECTLY OR INDIRECTLY IN ANY WAY DETRIMENTAL TO THE INTERESTES OF AGROWFLOW PTY LTD.	LAST PRINTED 19/03/2024 TOTAL MASS 20671.44 Kg	SHEET: PAGE: 1 OF 1

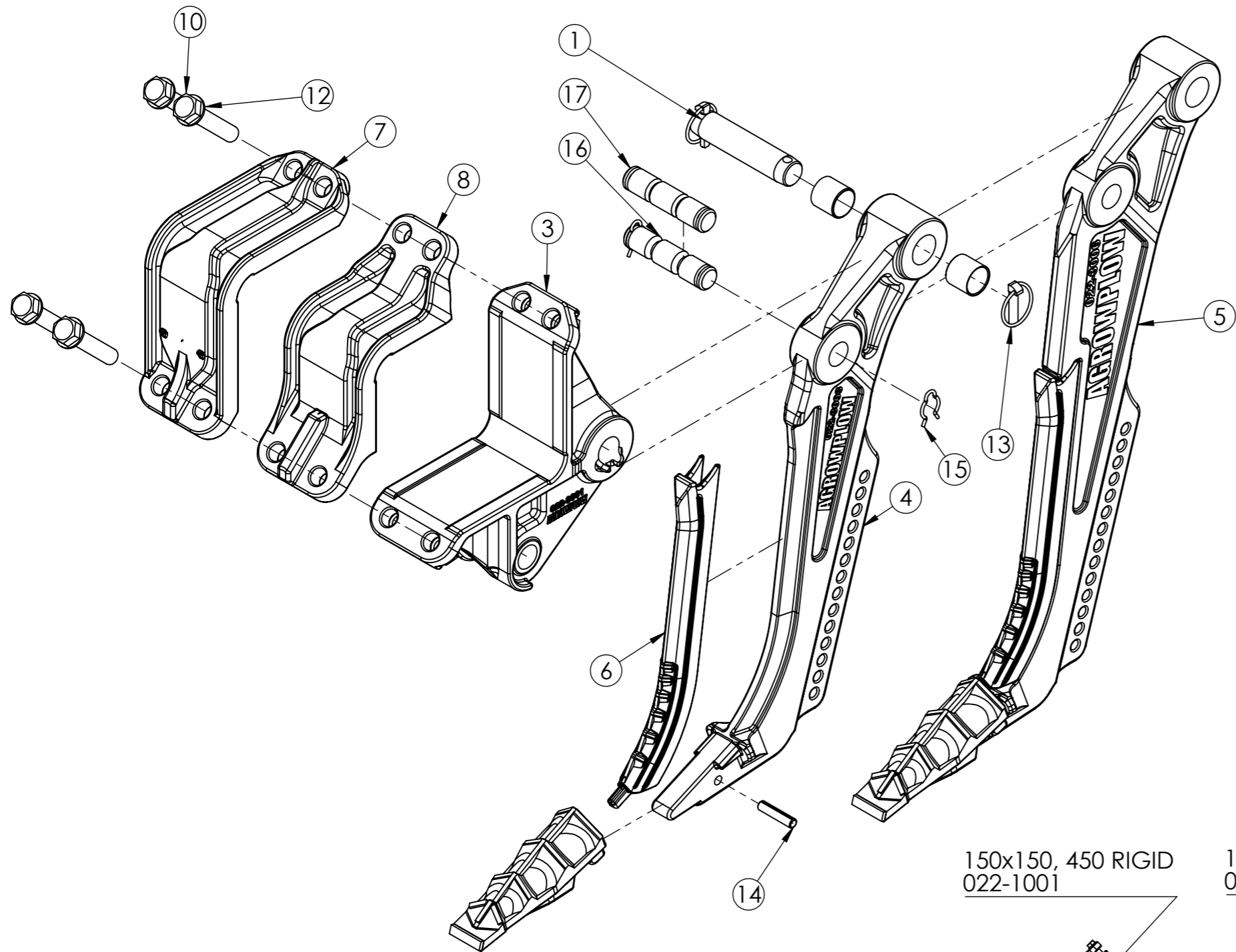


ITEM NO.	PART NUMBER	DESCRIPTION	QTY
1	139-3210	65 SERIES HUB with STUDS and WHEEL NUTS	1
2	133-0025	SCREW SOCKET M8 x 25	3
3	135-3027	WASHER RIBLOCK M8	3
4	139-2037	STUB AXLE 65 SERIES STUB AD240	1
5	139-3211	65 SERIES DUST CAP with GREASE NIPPLE	1
6	139-3213	65 SERIES SEAL RING	1
7	139-3214	65 SERIES WEAR RING	1
8	139-3218	65 SERIES TRIPLE LIP SEAL	1
9	139-3216	65 SERIES OUTER BEARING	1
10	139-3217	65 SERIES INNER BEARING	1
11	139-3215	65 SERIES CASTLE NUT M33x2 LOW PROFILE	1

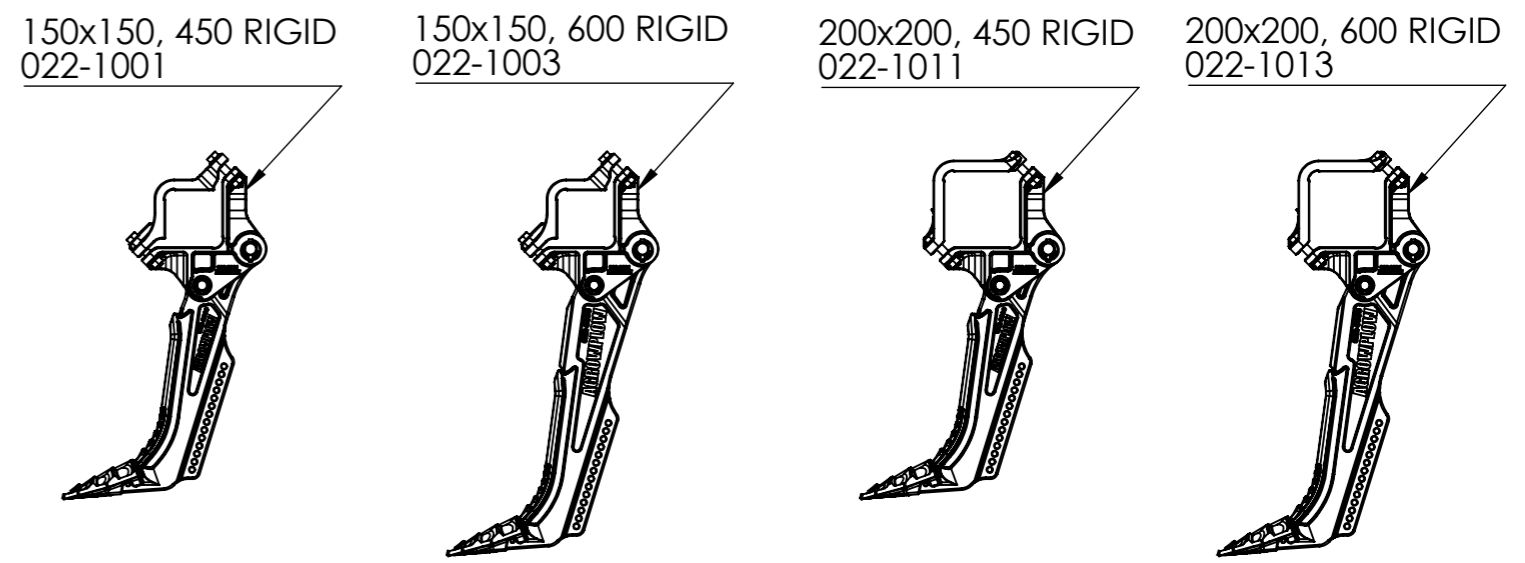


AGROWFLOW COPYRIGHT RESERVED <small>THIS DRAWING IS THE PROPERTY AGROWFLOW PTY LTD, AND IS SUBJECT TO RETURN UPON DEMAND. IT IS SUBMITTED FOR USE ONLY IN CONNECTION WITH PROPOSALS OR CONTRACTS OF THIS ORGANISATION UPON THE EXPRESS CONDITION THAT IT IS NOT TO BE USED DIRECTLY OR INDIRECTLY IN ANY WAY DETRIMENTAL TO THE INTERESTS OF AGROWFLOW PTY LTD.</small>	65 SERIES STUB AXLE AD240 STUB	PART NUMBER 139-2038
		SHEET: PAGE: 2 OF 2

LAST PRINTED 19/03/2024 TOTAL MASS 21.82 Kg



ITEM NO.	PART NUMBER	DESCRIPTION	Default/QTY.
1	006-4006	SHANK #9 PIVOT PIN HYDRAULIC	1
2	006-4020	BUSH SLEEVE STEEL ID35 OD39 Length 35mm	2
3	022-3001	SHANK #9, CARRIER RIGID	1
4	022-3003	SHANK #9, 450	1
5	022-3006	SHANK #9, 600	1
6	022-3007	SHINGUARD #9 SHANK	2
7	022-3009	SHANK #9 TOP CLAMP 200x200	1
8	022-3010	SHANK #9, CLAMP 150X150	1
9	122-1016	#9 Blade 6 x hardfaced ribs on bottom side, 3x rockteeth, 5x tiles with rollpin	2
10	133-4170	M20 x 100 HEX BOLT ZINC GR10.9	4
11	134-4110	M20 HEX NYLOCK NUT ZINC GR 10.9	4
12	135-3040	WASHER FLAT M20	4
13	140-0041	LINCH PIN 11mm 42mm	2
14	140-4087	ROLL PIN 12mm X 55mm	2
15	141-0019	HAIRCLIP	2
16	141-4022	#9 SHEARPIN SUIT 150X150 RHS	1
17	141-4012	#9 SHEARPIN HD SUIT 200x200 RHS	1



NOTE:
FOR COULTER OPTIONS SEE 006-10## SERIES, #9v2 HYDRAULIC SHANK ASSEMBLY CHOCKED RIGID

AGROWFLOW
COPYRIGHT RESERVED
THIS DRAWING IS THE PROPERTY AGROWFLOW PTY LTD, AND IS SUBJECT TO RETURN UPON DEMAND. IT IS SUBMITTED FOR USE ONLY IN CONNECTION WITH PROPOSALS OR CONTRACTS OF THIS ORGANISATION UPON THE EXPRESS CONDITION THAT IT IS NOT TO BE USED DIRECTLY OR INDIRECTLY IN ANY WAY DETRIMENTAL TO THE INTERESTS OF AGROWFLOW PTY LTD.

TITLE:
#9v2 RIGID SHANK ASSEMBLY
LAST PRINTED 19/03/2024 TOTAL MASS 92.31 Kg

PART NUMBER
022-1000
SHEET: PAGE:
1 OF 1