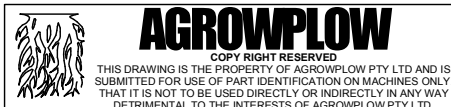
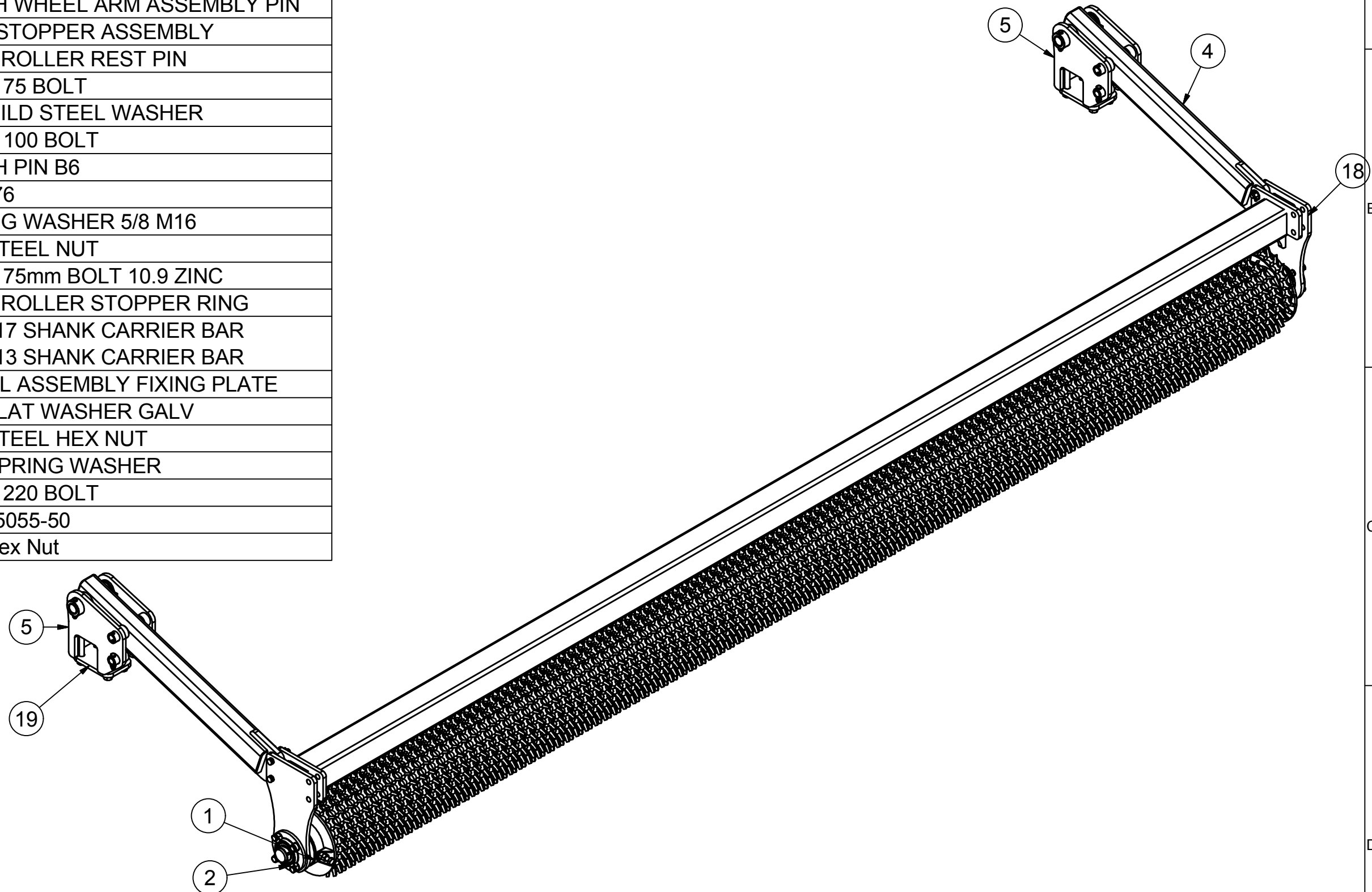


Parts List			
ITEM	QTY	PART NUMBER	TITLE
1	1	579-1003	17 SHANK CENTRE ROTOR
		579-1007	13 SHANK CENTRE ROTOR
2	2	138-0053	BEARING HOUSING FC213
3	101	093-3001 RING	ROTOR DISC
4	2	579-1004	AP 70 FLEXI ROLLER ARM
5	2	579-1005	AP 70 FLEXI ROLLER ARM HOUSING
6	2	580-4057	DEPTH WHEEL ARM ASSEMBLY PIN
7	1	093-3014	RING STOPPER ASSEMBLY
8	2	579-4026	FLEXI ROLLER REST PIN
9	2	133-4103	M12 X 75 BOLT
10	4	135-3012	M12 MILD STEEL WASHER
11	2	133-4109	M12 X 100 BOLT
12	4	140-0039	LYNCH PIN B6
13	4	140-4041	PIN B76
14	8	135-0070	SPRING WASHER 5/8 M16
15	8	134-4022	M16 STEEL NUT
16	8	133-4088	M16 X 75mm BOLT 10.9 ZINC
17	2	579-4028	FLEXI ROLLER STOPPER RING
18	1	579-1002	AP70 17 SHANK CARRIER BAR
		579-1006	AP70 13 SHANK CARRIER BAR
19	2	580-4053	WHEEL ASSEMBLY FIXING PLATE
20	8	135-3023	M24 FLAT WASHER GALV
21	8	134-4043	M24 STEEL HEX NUT
22	8	135-3042	M24 SPRING WASHER
23	8	133-4108	M24 X 220 BOLT
24	4	580-4028	IGUS 5055-50
25	4	134-4017	M12 Hex Nut

AP70 17 SHANK FLEXI ROLLER IS SHOWN

FOR 13 SHANK SUB ASSEMBLY PARTS PLEASE REFER TO TABLE ITEM 1 & 18
576-1010 13 SHANK FLEXI ROLLER MAIN ASSEMBLY



PROJECT: AP 70 FLEXI ROLLER
DATE: 29/01/2015

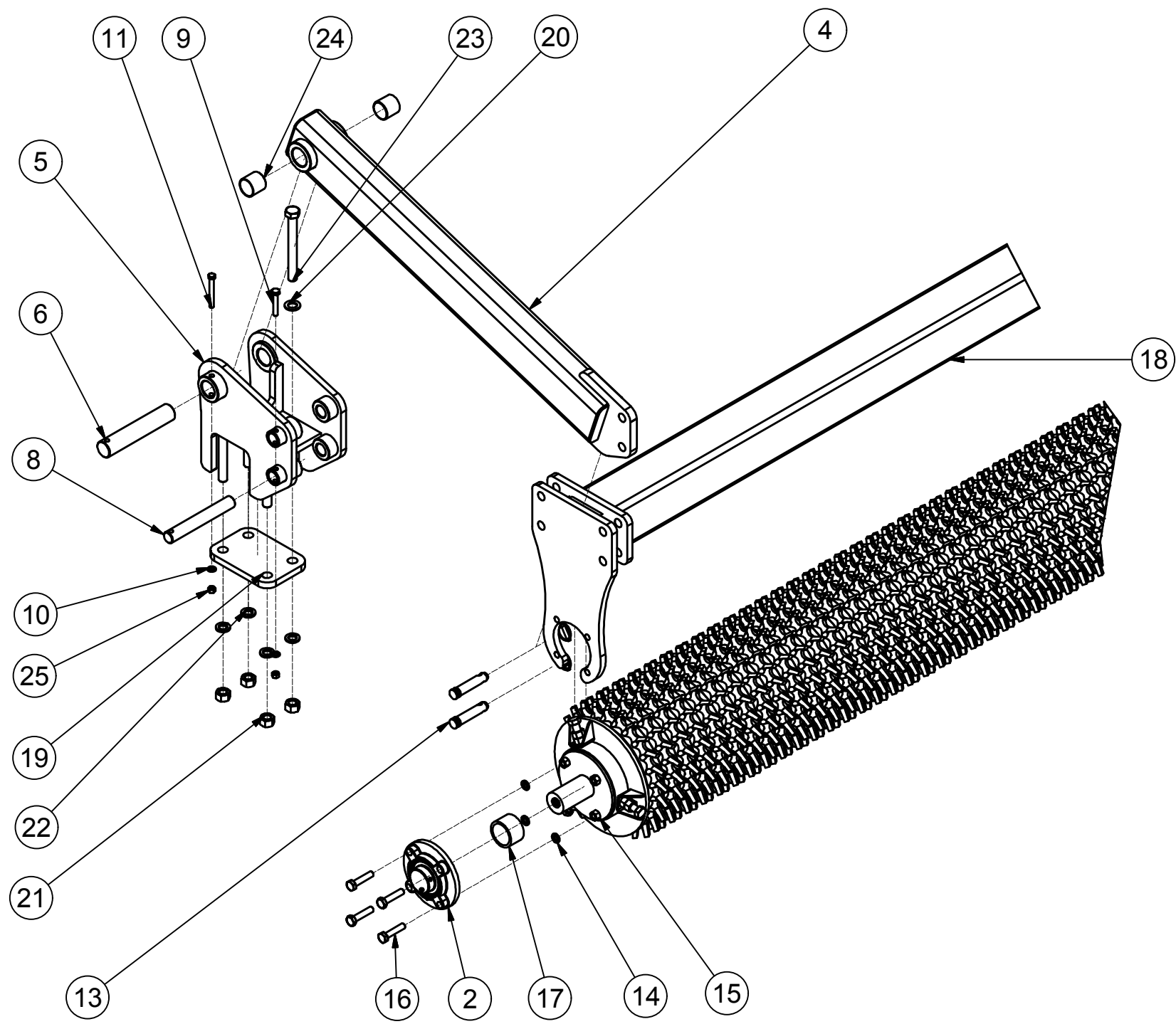
PART NUMBER: 578-1010

TITLE: AP 70 17 SHANK FLEXI ROLLER KIT

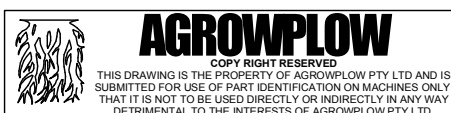
Page Number: 1 / 2

AP70 17 SHANK FLEXI ROLLER IS SHOWN

FOR 13 SHANK SUB ASSEMBLY PARTS PLEASE REFER TO TABLE ITEM 1 & 18
576-1010 13 SHANK FLEXI ROLLER MAIN ASSEMBLY



Parts List			
ITEM	PART NUMBER	TITLE	QTY
1	579-1003	17 SHANK CENTRE ROTOR	1
	579-1007	13 SHANK CENTRE ROTOR	
2	138-0053	BEARING HOUSING FC213	2
3	093-3001 RING	ROTOR DISC	101
4	579-1004	AP 70 FLEXI ROLLER ARM	2
5	579-1005	AP 70 FLEXI ROLLER ARM HOUSING	2
6	580-4057	DEPTH WHEEL ARM ASSEMBLY PIN	2
7	093-3014	RING STOPPER ASSEMBLY	1
8	579-4026	FLEXI ROLLER REST PIN	2
9	133-4103	M12 X 75 BOLT	2
10	135-3012	M12 MILD STEEL WASHER	4
11	133-4109	M12 X 100 BOLT	2
12	140-0039	LYNCH PIN B6	4
13	140-4041	PIN B76	4
14	135-0070	SPRING WASHER 5/8 M16	8
15	134-4022	M16 STEEL NUT	8
16	133-4088	M16 X 75mm BOLT 10.9 ZINC	8
17	579-4028	FLEXI ROLLER STOPPER RING	2
18	579-1002	AP70 17 SHANK CARRIER BAR	1
	579-1006	AP70 13 SHANK CARRIER BAR	
19	580-4053	WHEEL ASSEMBLY FIXING PLATE	2
20	135-3023	M24 FLAT WASHER GALV	8
21	134-4043	M24 STEEL HEX NUT	8
22	135-3042	M24 SPRING WASHER	8
23	133-4108	M24 X 220 BOLT	8
24	580-4028	IGUS 5055-50	4
25	134-4017	M12 Hex Nut	4



PROJECT: AP 70 FLEXI ROLLER
DATE: 29/01/2015

PART NUMBER: 578-1010

TITLE: AP 70 17 SHANK FLEXI ROLLER KIT

Page Number: 2 / 2