

**AGROW** PLOW<sup>®</sup>

**AP102 SPARE PARTS MANUAL**

---

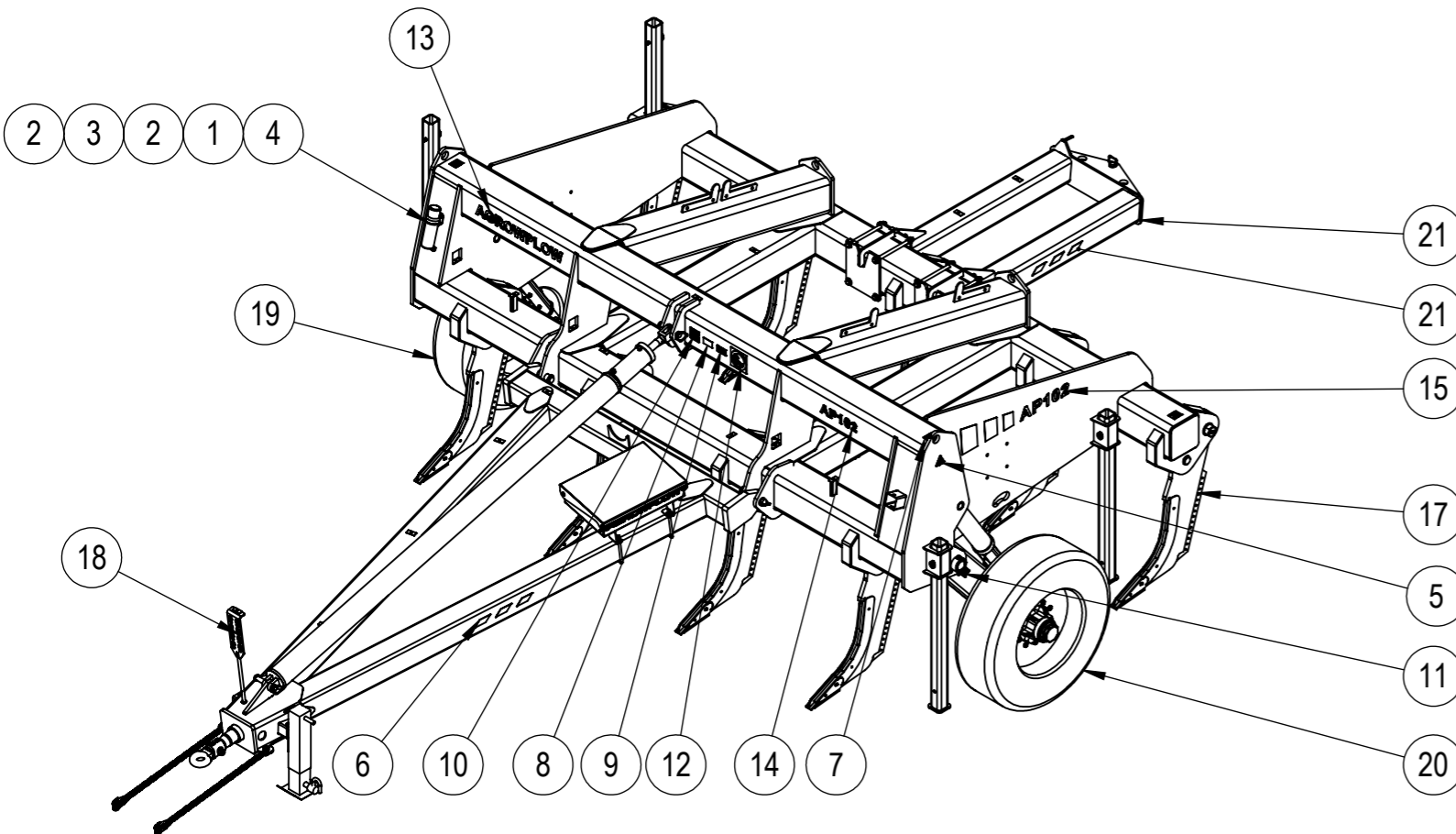
# AP102 SPARE PARTS

---

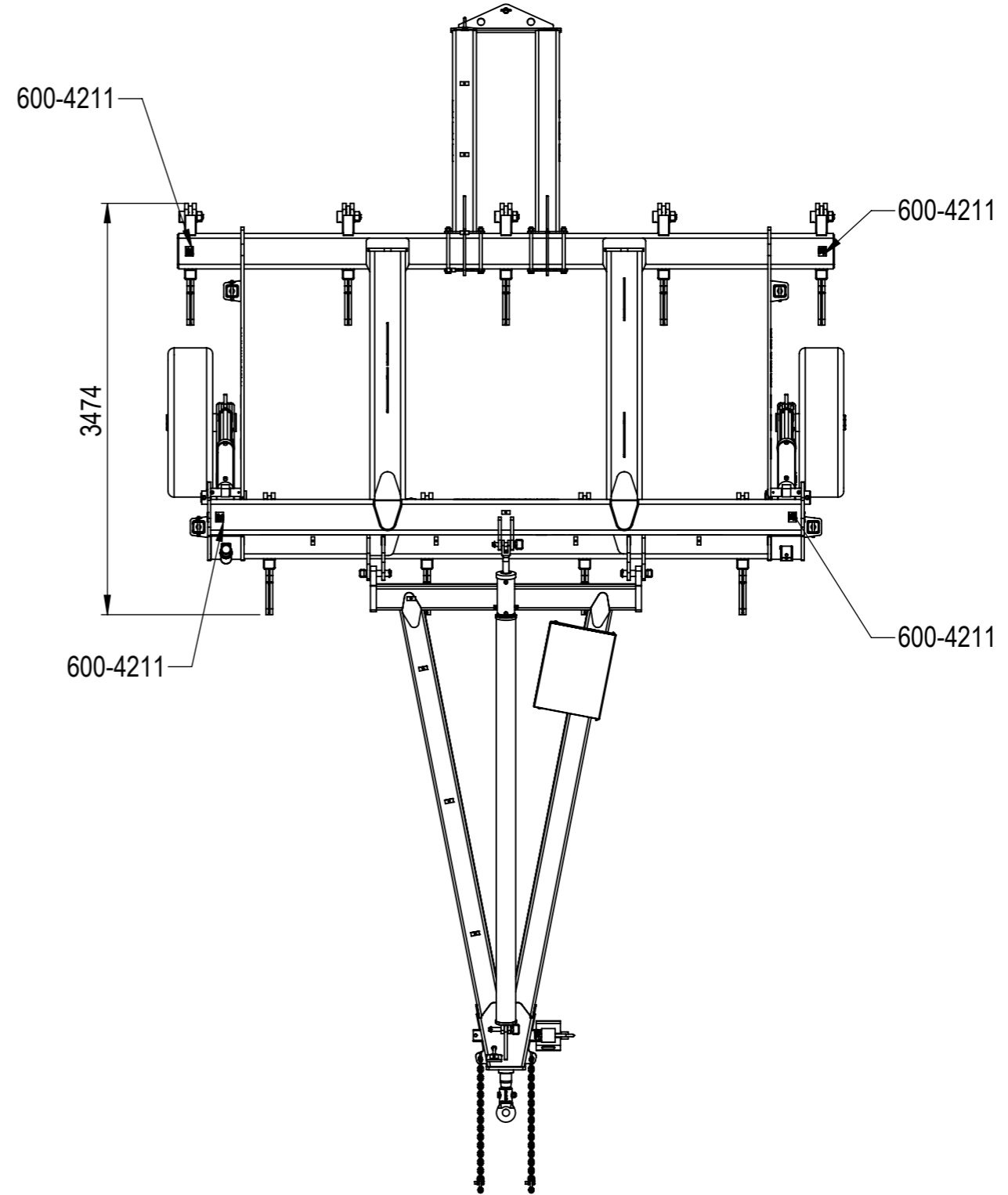
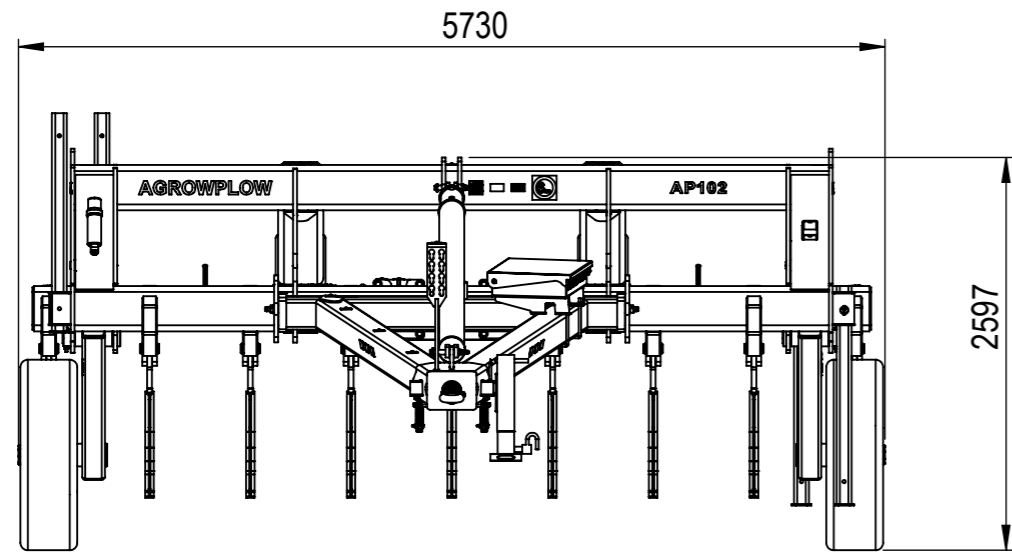
## Table of Content

		PAGE
1. AP102 Plough Assembly		
1.1. 607-1001	AP102 9 Rows 6m Working Width	3
1.2. 607-1002	AP102 7 Rows 4.5m Working Width	8
1.3. 607-1003	AP102 5 Rows 3.5m Working Width	13
1.4. 607-1004	AP102 7 Rows 5.25m Working Width	18
2. Frame and Shank Assy		
2.1. 607-2001	AP102 9 Rows 6m Working Width	23
2.2. 607-2002	AP102 7 Rows 4.5m Working Width	25
2.3. 607-2003	AP102 5 Rows 3.5m Working Width	27
2.4. 607-2004	AP102 7 Rows 5.25m Working Width	29
3. A-Frame		
3.1. 607-2010	AP102 A-Frame	31
4. Rear Tow Hitch		
4.1. 607-2015	AP72 Rear Tow Hitch Bridge Style	32
4.2. 607-2020	AP72 rear Tow Hitch single Stem Style	33
5. Wheel Arm Assembly		
5.1. 607-2014	AP72 WHEEL ARM ASSEMBLY LH	34
5.2. 607-2013	AP72 WHEEL ARM ASSEMBLY RH	35
6. Toolbox		
6.1. 607-2017	AP 102 Toolbox	36
7. Axle		
7.1. 603-2040	Stub axles assembly	37
8. Hydraulic		
8.1. 607-5001	AP102 9 Rows 6m Working Width	38
8.2. 607-5002	AP102 7 Rows 4.5m Working Width	43
8.3. 607-5003	AP102 5 Rows 3.5m Working Width	47
8.4. 607-5004	AP102 7 Rows 5.25m Working Width	51

ITEM NO.	PART NUMBER	DESCRIPTION	QTY.
1	133-4169	M6 x 35 BOLT HEX ST STEEL	3
2	135-3010	WASHER FLAT M6 ST/STEEL	6
3	202-0064	M06 HEX NYLOCK NUT ST/STEEL	3
4	202-0099	PLASTIC DOCK HOLDER	1
5	600-4091	AUSTRALIAN MADE	2
6	600-4117	DECAL STRIPES	4
7	600-4211	DANGER DO NOT RIDE	4
8	600-4341	DECAL WARNING CRUSHING HAZARD SL003	1
9	600-4342	DANGER DO NOT OPERATE NEAR BYSTANDERS	1
10	600-4343	TRACTOR MACHINERY HAZARD	1
11	600-4357	TYRE OR WHEEL EXPLOSION DECAL	2
12	600-4382	MAX SPEED 6km	1
13	607-1103	AGROPLOW AP102 Decal 878mm x 90mm	2
14	607-1104	AP102 DECAL 878 X 90	1
15	607-1107	DECAL AP102 LEFT SIDE	1
16	607-1108	DECAL AP102 RIGHT SIDE	1
17	607-2001	AP102 x 9 SHANKS @666mm, 6m WORKING WITH SHANK LAY-OUT	1
18	607-2010	AP 102 HYDRAULIC LEVEL LIFT HITCH	1
19	607-2013	AP102 WHEEL ARM RH	1
20	607-2014	AP102 WHEEL ARM LH	1
21	607-2015	REAR TOW HITCH suits 200x200 HYD SHANKS	1



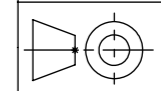
<p><b>AGROWFLOW</b></p> <p><small>COPYRIGHT RESERVED</small></p> <p><small>THIS DRAWING IS THE PROPERTY AGROWFLOW PTY LTD, AND IS SUBJECT TO RETURN UPON DEMAND. IT IS SUBMITTED FOR USE ONLY IN CONNECTION WITH PROPOSALS OR CONTRACTS OF THIS ORGANISATION UPON THE EXPRESS CONDITION THAT IT IS NOT TO BE USED DIRECTLY OR INDIRECTLY IN ANY WAY DETRIMENTAL TO THE INTERESTES OF AGROWFLOW PTY LTD.</small></p>	<p><b>AP102 x 9 SHANK @ 666mm, 6m WORKING WIDTH</b></p> <p>LAST PRINTED 20/10/2022</p>	<p>PART NUMBER SUPERSEDE</p> <p><b>607-1001</b></p>
	<p>TOTAL MASS 8743.69 Kg</p>	<p>SHEET: 1 OF 5</p> <p>PAGE: Page3</p>

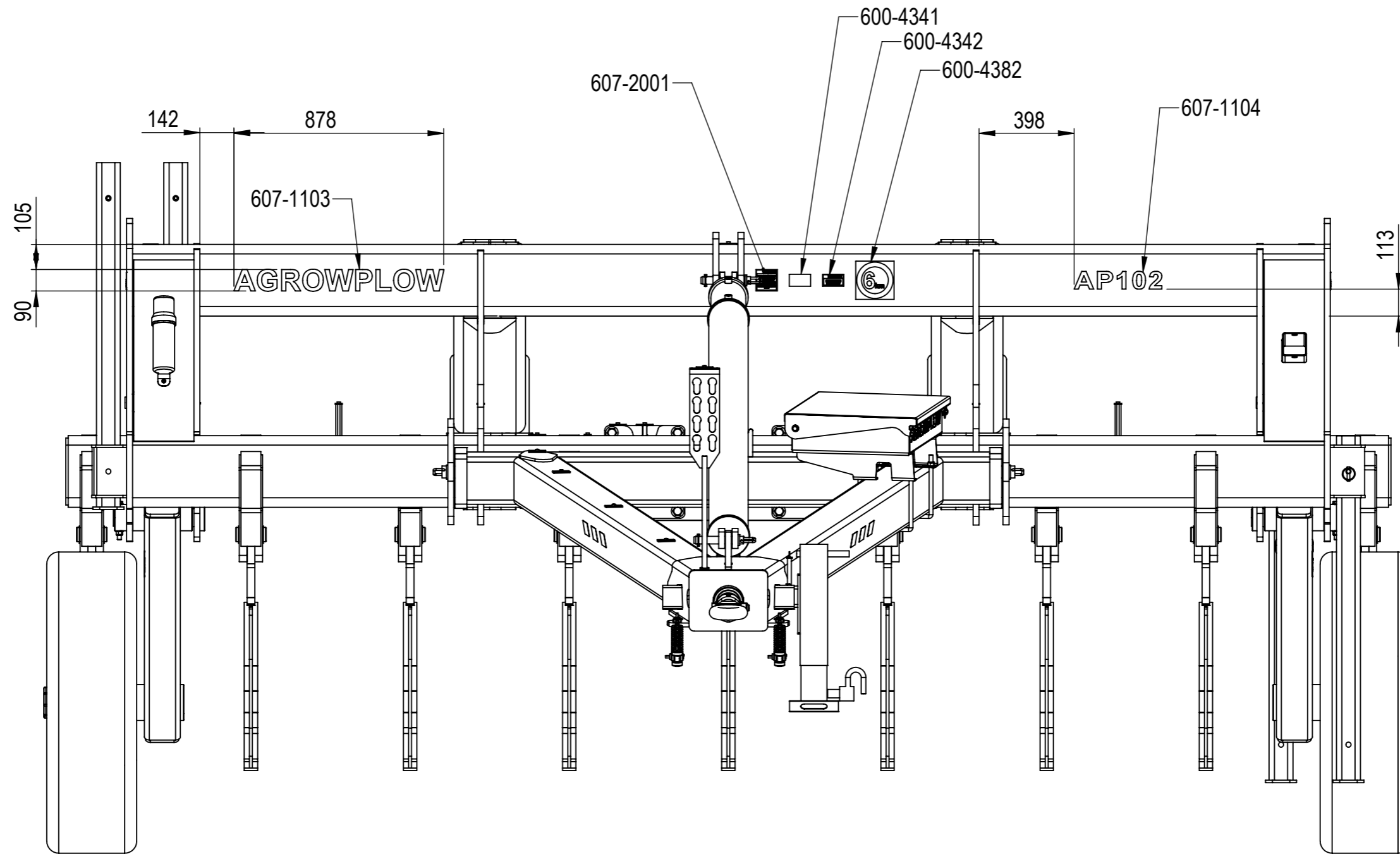


**AGROWFLOW**  
 COPYRIGHT RESERVED  
 THIS DRAWING IS THE PROPERTY AGROWFLOW PTY LTD, AND IS SUBJECT TO RETURN UPON DEMAND. IT IS SUBMITTED FOR USE ONLY IN CONNECTION WITH PROPOSALS OR CONTRACTS OF THIS ORGANISATION UPON THE EXPRESS CONDITION THAT IT IS NOT TO BE USED DIRECTLY OR INDIRECTLY IN ANY WAY DETRIMENTAL TO THE INTERESTES OF AGROWFLOW PTY LTD.

**AP102 x 9 SHANK @ 666mm,  
 6m WORKING WIDTH**  
 LAST PRINTED 20/10/2022

PART NUMBER  
**607-1001**  
 SHEET: 2 OF 5 PAGE: Page4



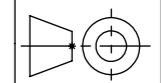


**AGROWFLOW**

COPYRIGHT RESERVED  
 THIS DRAWING IS THE PROPERTY AGROWFLOW PTY LTD, AND IS SUBJECT TO RETURN UPON DEMAND. IT IS SUBMITTED FOR USE ONLY IN CONNECTION WITH PROPOSALS OR CONTRACTS OF THIS ORGANISATION UPON THE EXPRESS CONDITION THAT IT IS NOT TO BE USED DIRECTLY OR INDIRECTLY IN ANY WAY DETRIMENTAL TO THE INTERESTES OF AGROWFLOW PTY LTD.

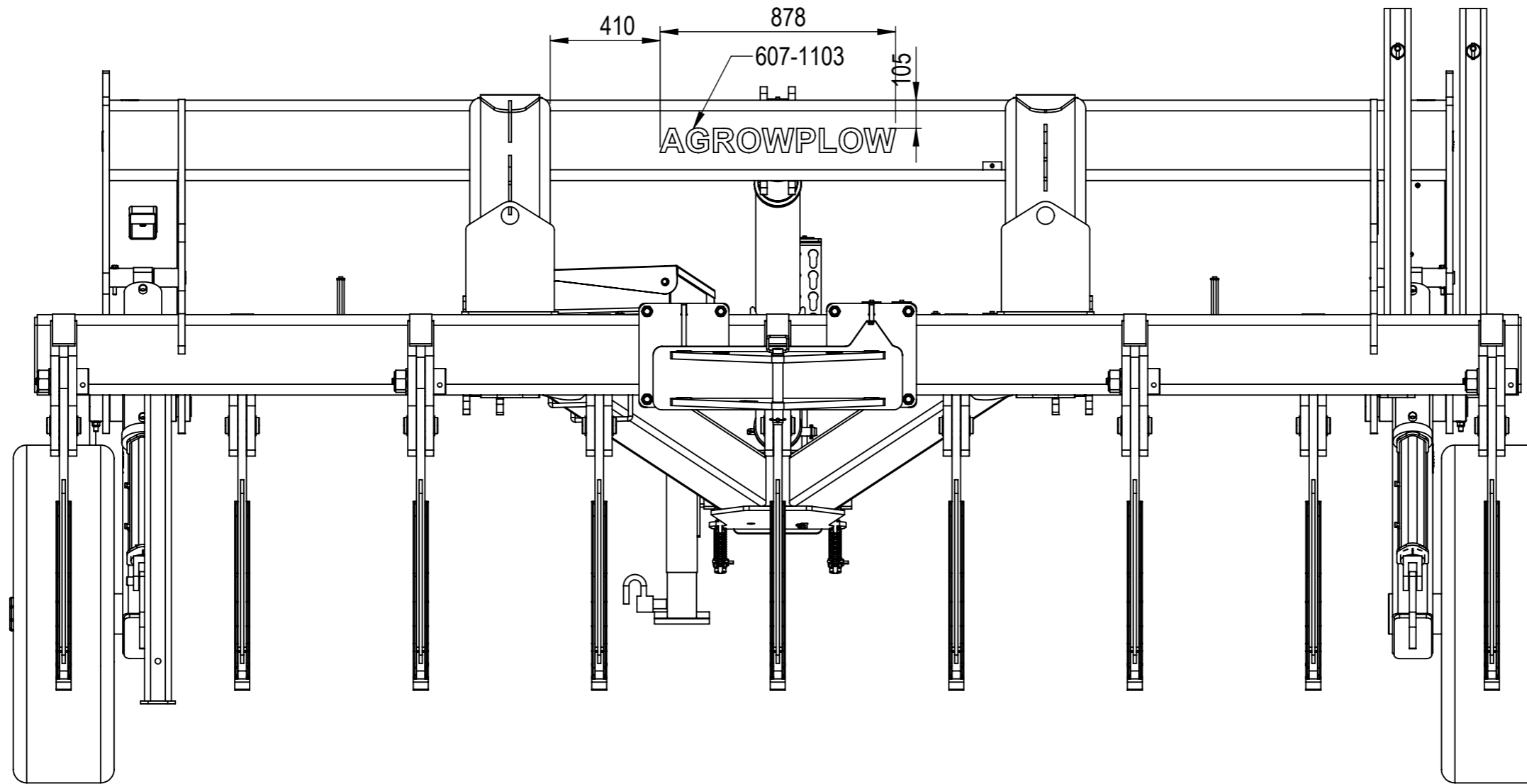
**AP102 x 9 SHANK @ 666mm,  
 6m WORKING WIDTH**

PART NUMBER  
**607-1001**



SHEET: 3 OF 5  
 PAGE: Page5

LAST PRINTED 20/10/2022

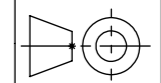


**AGROWFLOW**

COPYRIGHT RESERVED  
THIS DRAWING IS THE PROPERTY AGROWFLOW PTY LTD, AND IS SUBJECT TO RETURN UPON DEMAND. IT IS SUBMITTED FOR USE ONLY IN CONNECTION WITH PROPOSALS OR CONTRACTS OF THIS ORGANISATION UPON THE EXPRESS CONDITION THAT IT IS NOT TO BE USED DIRECTLY OR INDIRECTLY IN ANY WAY DETRIMENTAL TO THE INTERESTES OF AGROWFLOW PTY LTD.

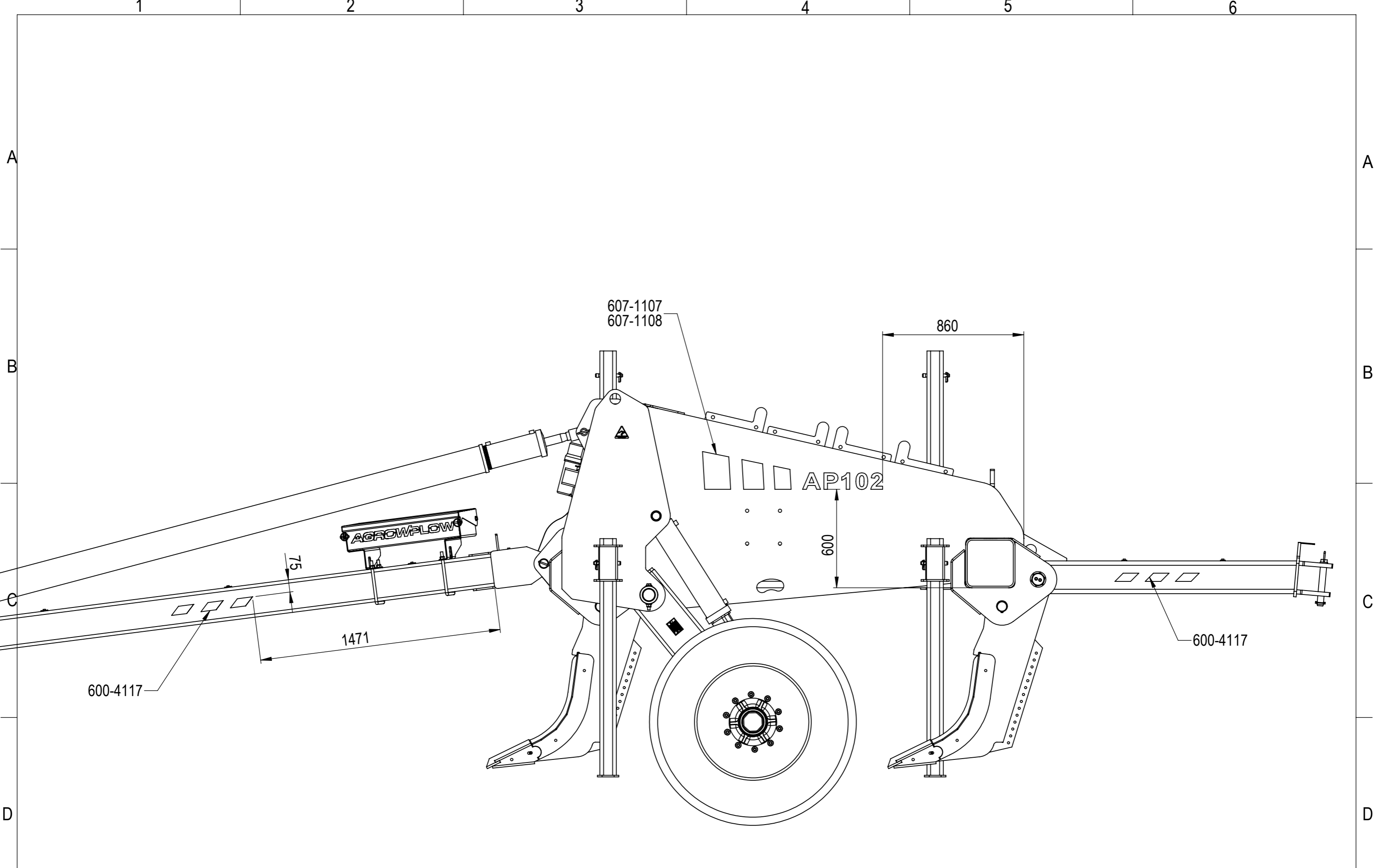
**AP102 x 9 SHANK @ 666mm,  
6m WORKING WIDTH**

PART NUMBER  
**607-1001**



SHEET: 4 OF 5  
PAGE: Page6

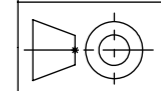
LAST PRINTED 20/10/2022

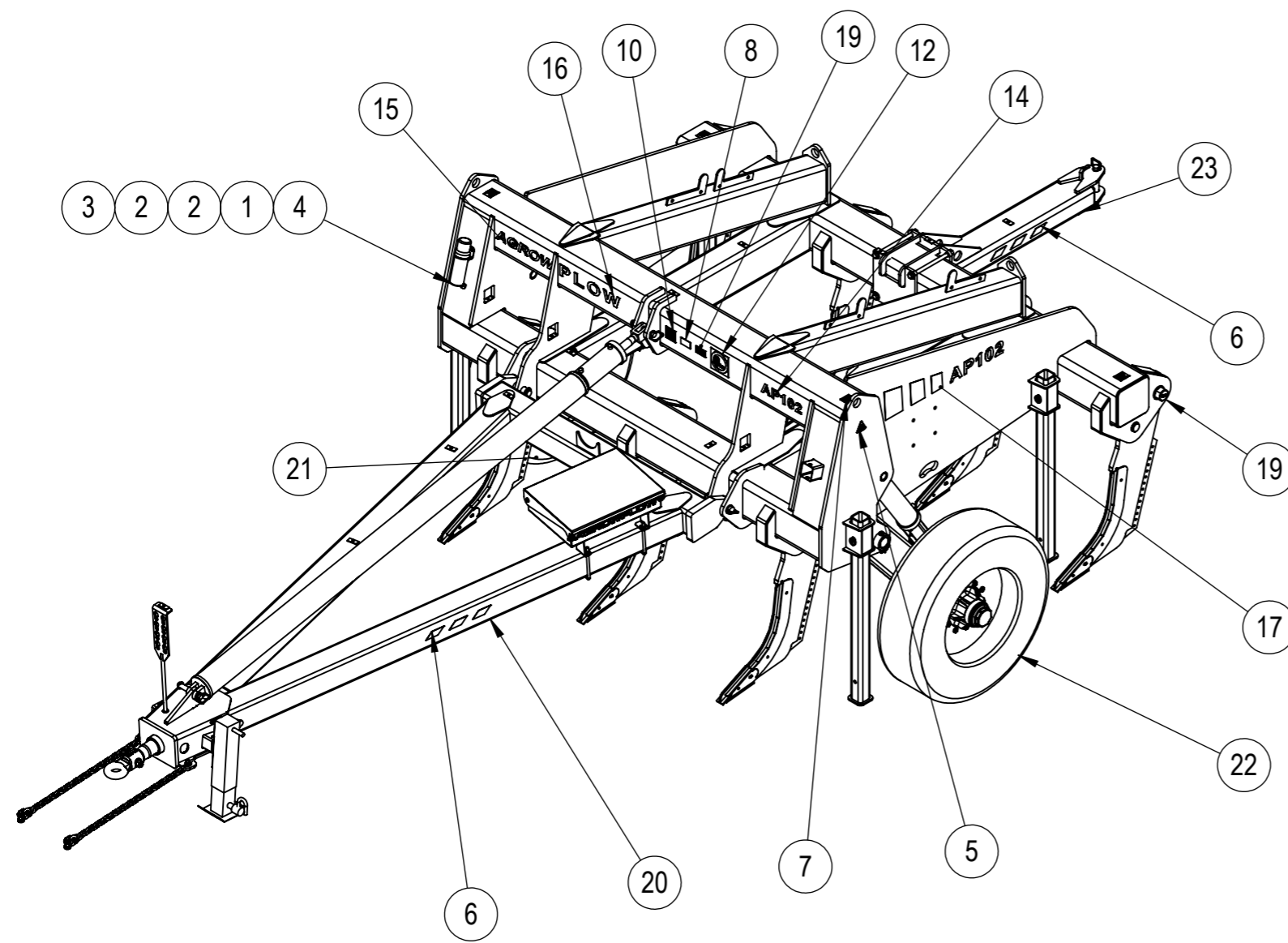


**AGROWFLOW**  
 COPYRIGHT RESERVED  
 THIS DRAWING IS THE PROPERTY AGROWFLOW PTY LTD, AND IS SUBJECT TO RETURN UPON DEMAND. IT IS SUBMITTED FOR USE ONLY IN CONNECTION WITH PROPOSALS OR CONTRACTS OF THIS ORGANISATION UPON THE EXPRESS CONDITION THAT IT IS NOT TO BE USED DIRECTLY OR INDIRECTLY IN ANY WAY DETRIMENTAL TO THE INTERESTES OF AGROWFLOW PTY LTD.

**AP102 x 9 SHANK @ 666mm,  
 6m WORKING WIDTH**  
 LAST PRINTED 20/10/2022

PART NUMBER  
**607-1001**  
 SHEET: 5 OF 5 PAGE: Page7

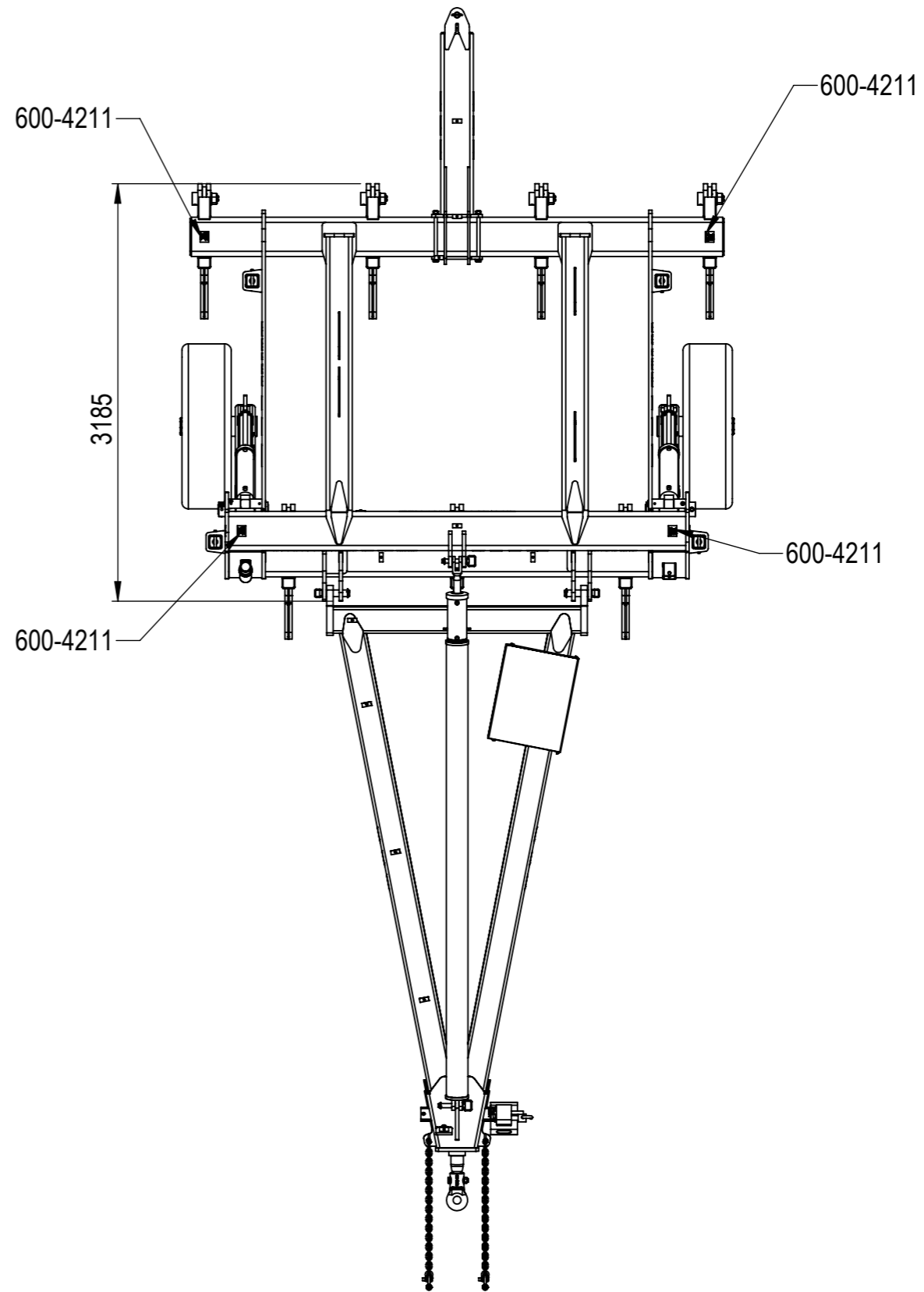
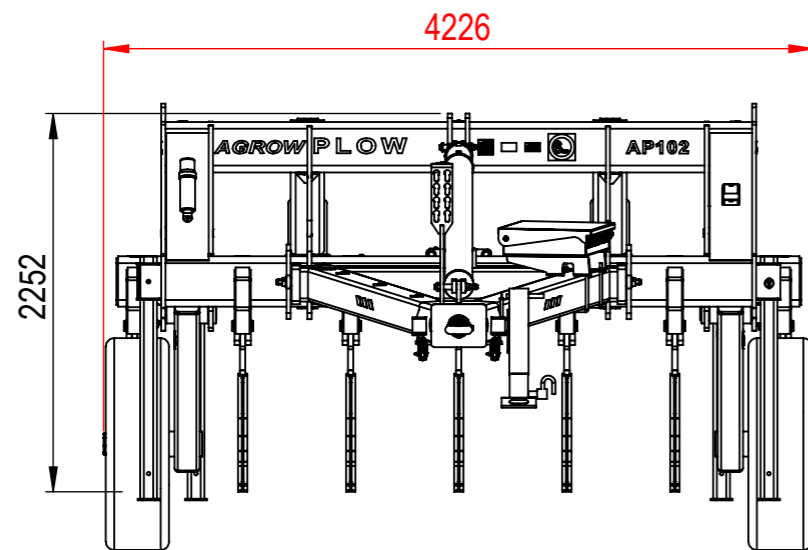




ITEM NO.	PART NUMBER	DESCRIPTION	QTY.
1	133-4169	M6 x 35 BOLT HEX ST STEEL	3
2	135-3010	WASHER FLAT M6 ST/STEEL	6
3	202-0064	M06 HEX NYLOCK NUT ST/STEEL	3
4	202-0099	PLASTIC DOCK HOLDER	1
5	600-4091	AUSTRALIAN MADE	2
6	600-4117	DECAL STRIPES	4
7	600-4211	DANGER DO NOT RIDE	4
8	600-4341	DECAL WARNING CRUSHING HAZARD SL003	1
9	600-4342	DANGER DO NOT OPERATE NEAR BYSTANDERS	1
10	600-4343	TRACTOR MACHINERY HAZARD	1
11	600-4357	TYRE OR WHEEL EXPLOSION DECAL	2
12	600-4382	MAX SPEED 6km	1
13	607-1103	AGROPLOW AP102 Decal 878mm x 90mm	1
14	607-1104	AP102 DECAL 878 X 90	1
15	607-1105	AP102 AGROW DECAL 543x74	1
16	607-1106	AP102 PLOW DECAL 553X89	1
17	607-1107	DECAL AP102 LEFT SIDE	1
18	607-1108	DECAL AP102 RIGHT SIDE	1
19	607-2002	AP102 x 7 SHANK @643, 4.5m WORKING @ 643, WIDTH SHANK LAY-OUT	1
20	607-2011	AP 102 HYDRAULIC LEVEL LIFT HITCH	1
21	607-2013	AP102 WHEEL ARM RH	1
22	607-2014	AP102 WHEEL ARM LH	1
23	607-2020	REAR TOW HITCH suits 200x200 HYD SHANKS	1

<p><b>AGROWPLOW</b></p> <p>COPYRIGHT RESERVED</p> <p>THIS DRAWING IS THE PROPERTY AGROWPLOW PTY LTD, AND IS SUBJECT TO RETURN UPON DEMAND. IT IS SUBMITTED FOR USE ONLY IN CONNECTION WITH PROPOSALS OR CONTRACTS OF THIS ORGANISATION UPON THE EXPRESS CONDITION THAT IT IS NOT TO BE USED DIRECTLY OR INDIRECTLY IN ANY WAY DETRIMENTAL TO THE INTERESTES OF AGROWPLOW PTY LTD.</p>	<p><b>AP102 x 7 SHANK 4.5m WORKING WIDTH</b></p>	<p>PART NUMBER SUPERSEDE</p> <p><b>607-1002</b></p>
		<p>SHEET: 1 OF 5</p> <p>PAGE: Page8</p>
<p>LAST PRINTED 20/10/2022</p>		<p>TOTAL MASS 7311.04 Kg</p>





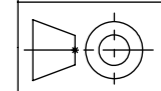
**AGROWFLOW**  
 COPYRIGHT RESERVED  
 THIS DRAWING IS THE PROPERTY AGROWFLOW PTY LTD, AND IS SUBJECT TO RETURN UPON DEMAND. IT IS SUBMITTED FOR USE ONLY IN CONNECTION WITH PROPOSALS OR CONTRACTS OF THIS ORGANISATION UPON THE EXPRESS CONDITION THAT IT IS NOT TO BE USED DIRECTLY OR INDIRECTLY IN ANY WAY DETRIMENTAL TO THE INTERESTES OF AGROWFLOW PTY LTD.

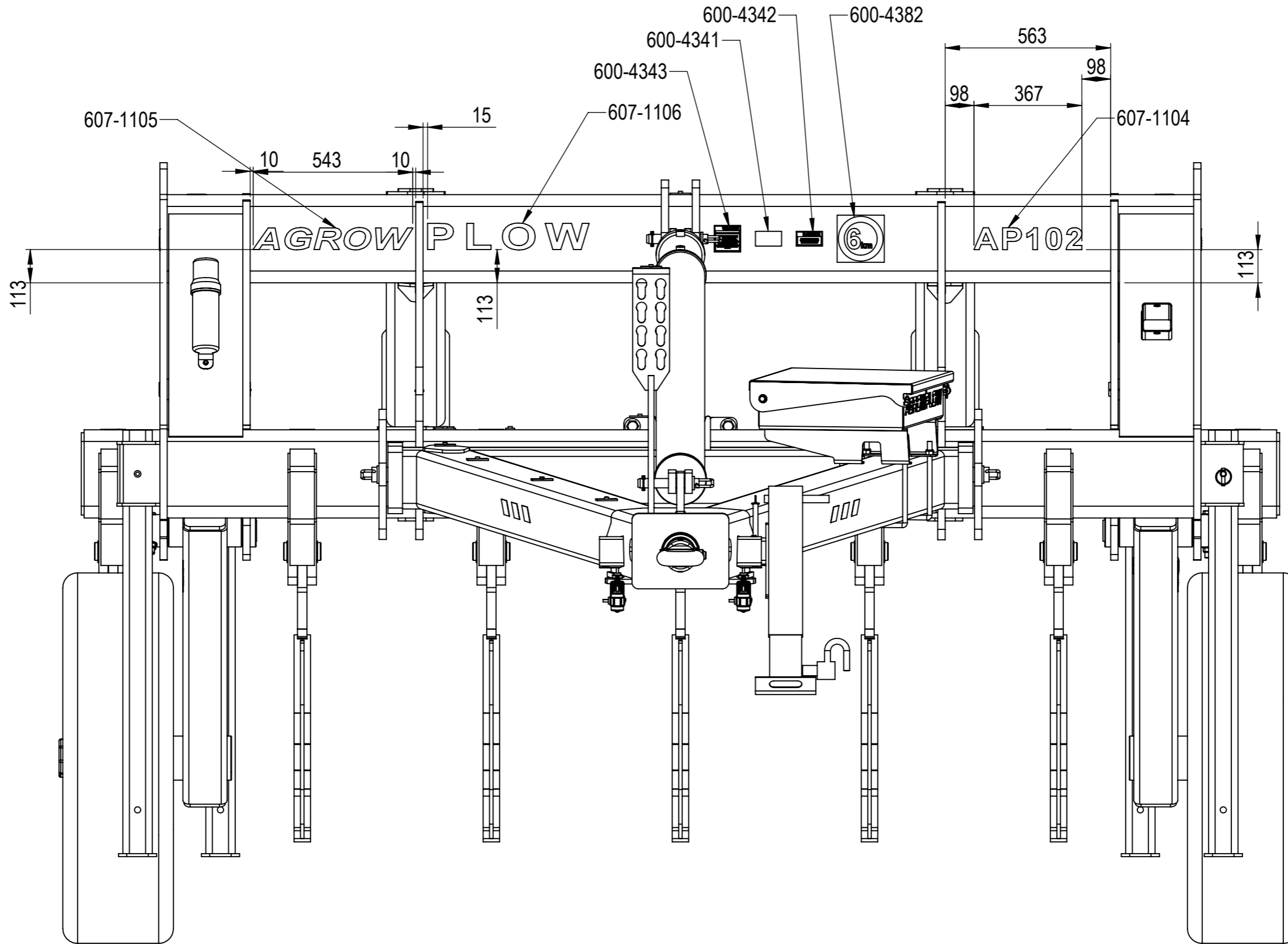
**AP102 x 7 SHANK 4.5m**  
**WORKING WIDTH**

LAST PRINTED 20/10/2022

PART NUMBER  
**607-1002**

SHEET: 2 OF 5  
 PAGE: Page9





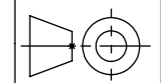
**AGROWPLOW**

COPYRIGHT RESERVED  
 THIS DRAWING IS THE PROPERTY AGROWPLOW PTY LTD, AND IS SUBJECT TO RETURN UPON DEMAND. IT IS SUBMITTED FOR USE ONLY IN CONNECTION WITH PROPOSALS OR CONTRACTS OF THIS ORGANISATION UPON THE EXPRESS CONDITION THAT IT IS NOT TO BE USED DIRECTLY OR INDIRECTLY IN ANY WAY DETRIMENTAL TO THE INTERESTES OF AGROWPLOW PTY LTD.

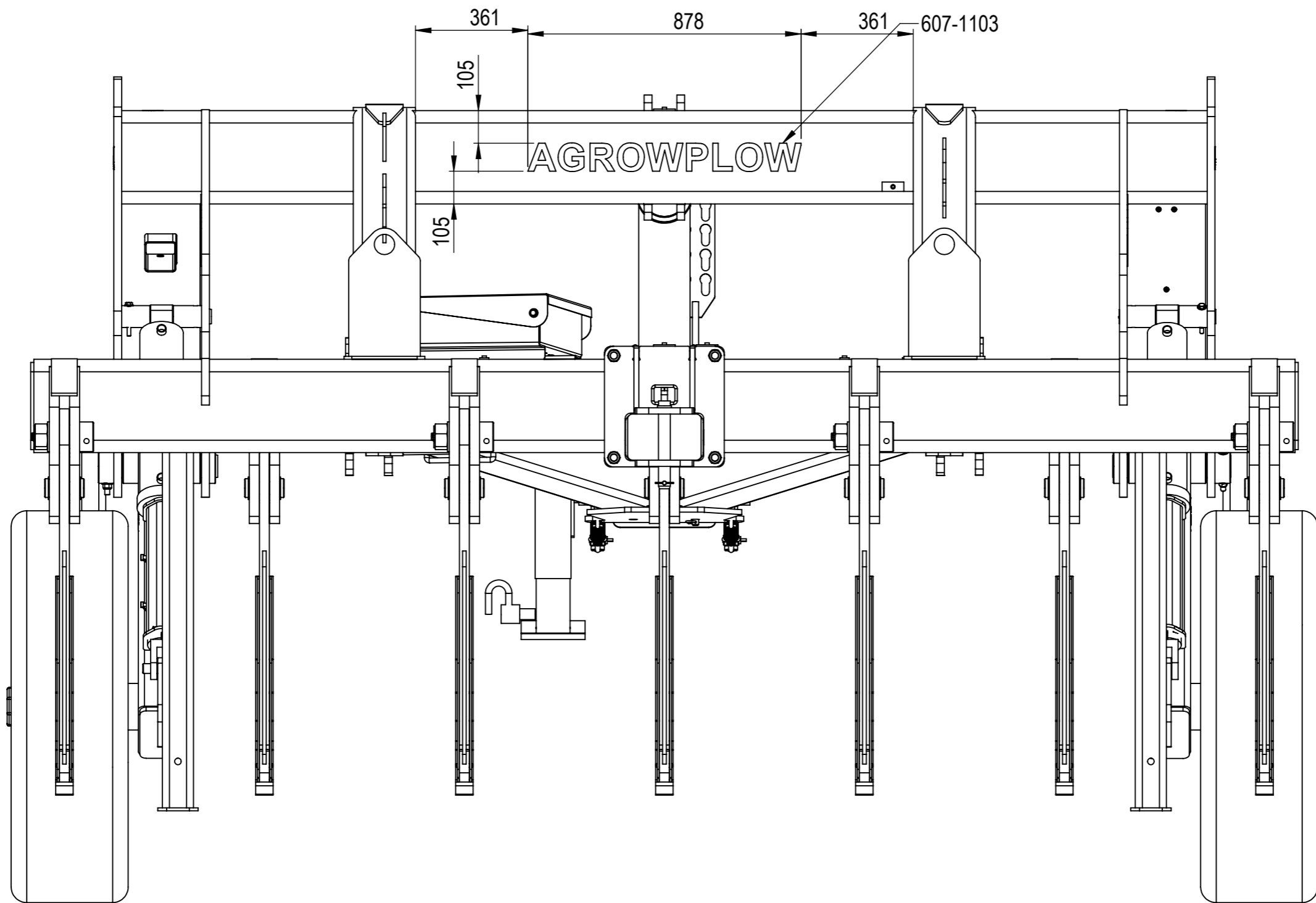
**AP102 x 7 SHANK 4.5m  
 WORKING WIDTH**

LAST PRINTED 20/10/2022

PART NUMBER  
**607-1002**



SHEET: 3 OF 5  
 PAGE: Page10

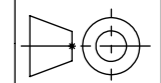


**AGROWFLOW**

COPYRIGHT RESERVED  
 THIS DRAWING IS THE PROPERTY AGROWFLOW PTY LTD, AND IS SUBJECT TO RETURN UPON DEMAND. IT IS SUBMITTED FOR USE ONLY IN CONNECTION WITH PROPOSALS OR CONTRACTS OF THIS ORGANISATION UPON THE EXPRESS CONDITION THAT IT IS NOT TO BE USED DIRECTLY OR INDIRECTLY IN ANY WAY DETRIMENTAL TO THE INTERESTES OF AGROWFLOW PTY LTD.

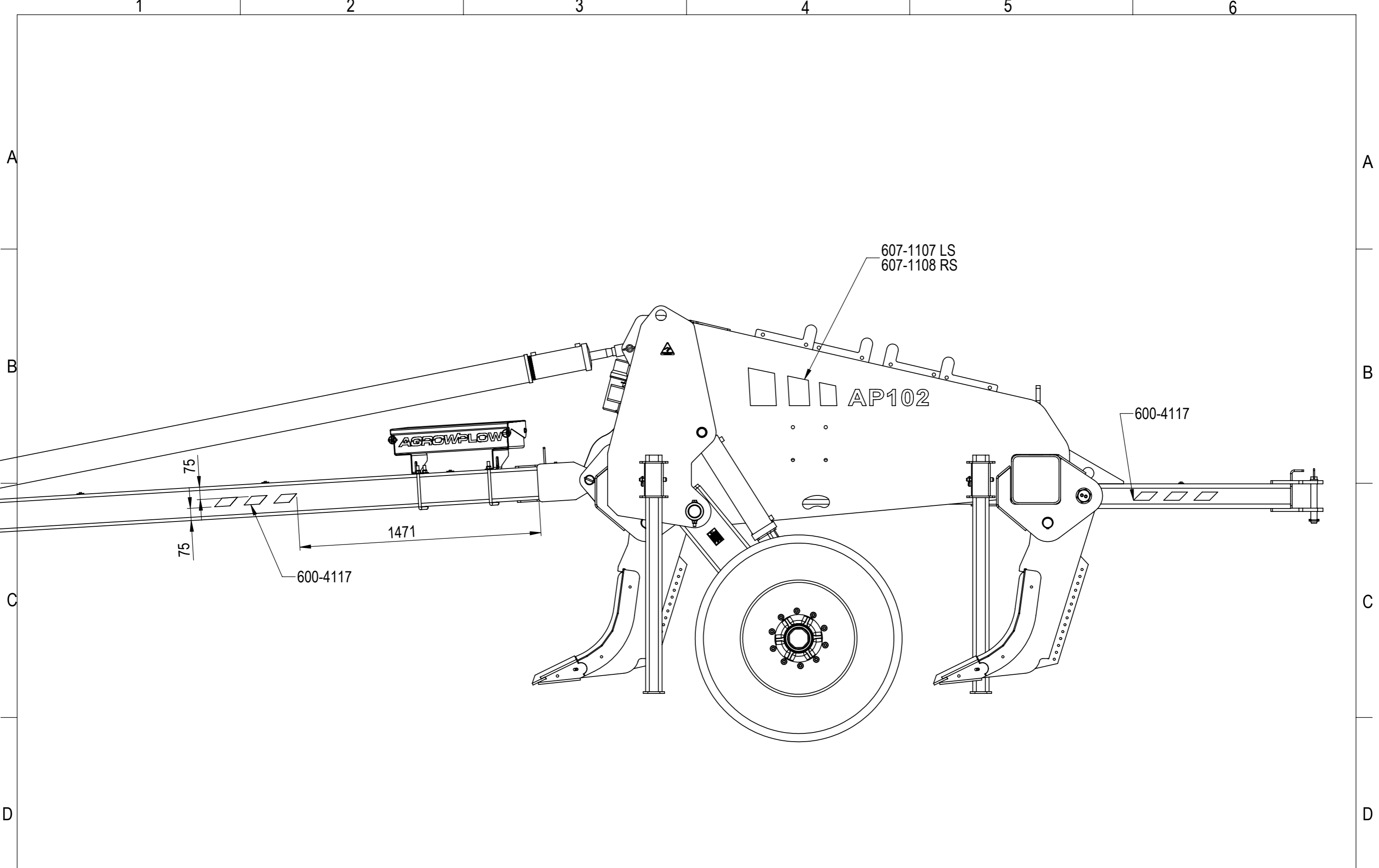
**AP102 x 7 SHANK 4.5m  
 WORKING WIDTH**

PART NUMBER  
**607-1002**



SHEET: PAGE:  
 4 OF 5 Page11

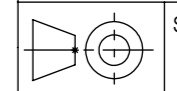
LAST PRINTED 20/10/2022



**AGROWFLOW**  
 COPYRIGHT RESERVED  
 THIS DRAWING IS THE PROPERTY AGROWFLOW PTY LTD, AND IS SUBJECT TO RETURN UPON DEMAND. IT IS SUBMITTED FOR USE ONLY IN CONNECTION WITH PROPOSALS OR CONTRACTS OF THIS ORGANISATION UPON THE EXPRESS CONDITION THAT IT IS NOT TO BE USED DIRECTLY OR INDIRECTLY IN ANY WAY DETRIMENTAL TO THE INTERESTES OF AGROWFLOW PTY LTD.

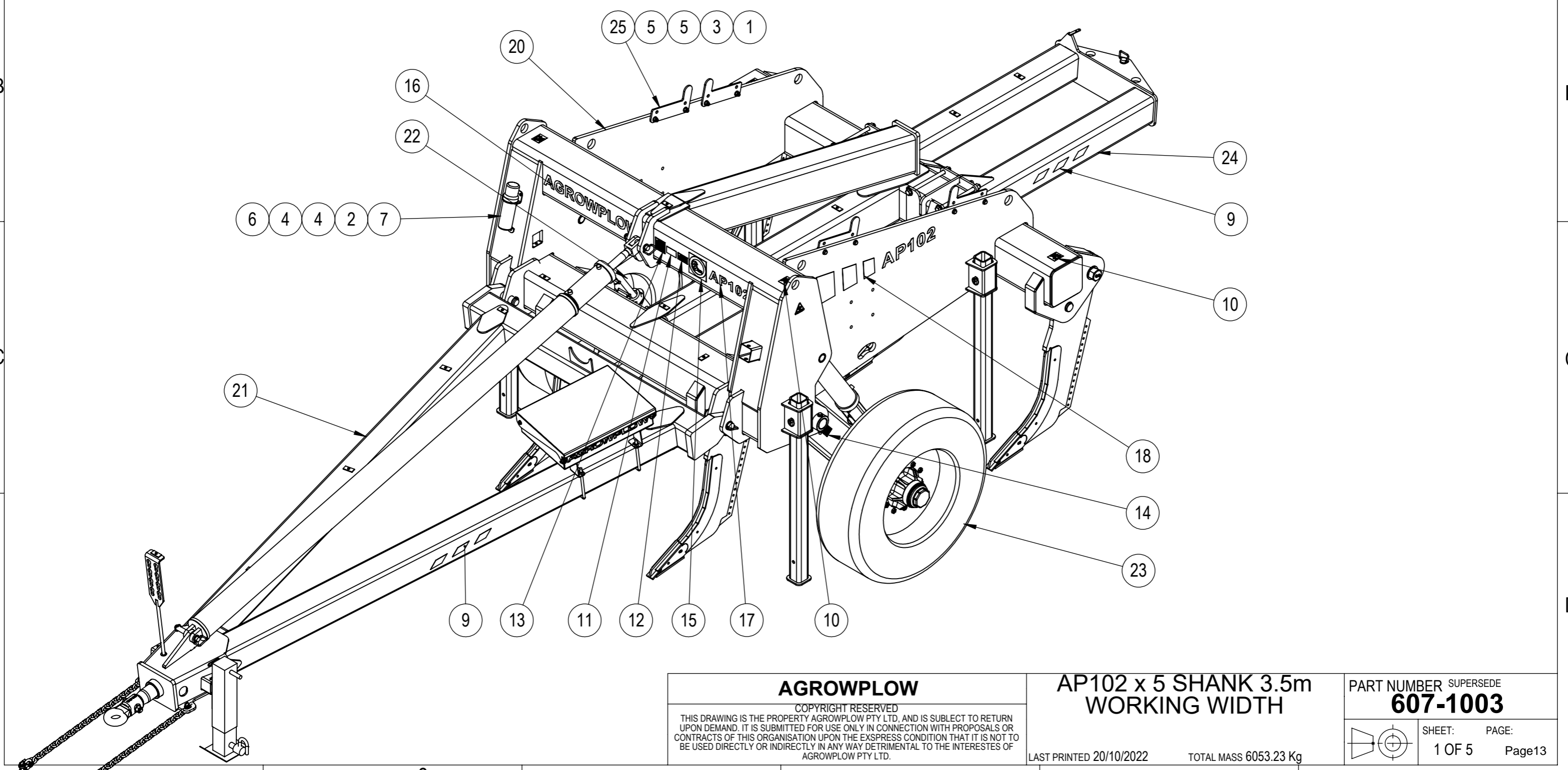
**AP102 x 7 SHANK 4.5m  
 WORKING WIDTH**  
 LAST PRINTED 20/10/2022

PART NUMBER  
**607-1002**  
 SHEET: 5 OF 5 PAGE: Page12



ITEM NO.	PART NUMBER	DESCRIPTION	QTY.
1	133-4087	M16 x 65 HEX BOLT ZINC GR8.8	8
2	133-4169	M6 x 35 BOLT HEX ST STEEL	3
3	134-4023	M16 HEX NYLOCK NUT ZINC PLATED GR 8.8	8
4	135-3010	WASHER FLAT M6 ST/STEEL	6
5	135-3036	WASHER FLAT M16	16
6	202-0064	M06 HEX NYLOCK NUT ST/STEEL	3
7	202-0099	PLASTIC DOCK HOLDER	1
8	600-4091	AUSTRALIAN MADE	2
9	600-4117	DECAL STRIPES	4
10	600-4211	DANGER DO NOT RIDE	4
11	600-4341	DECAL WARNING CRUSHING HAZARD SL003	1
12	600-4342	DANGER DO NOT OPERATE NEAR BYSTANDERS	1
13	600-4343	TRACTOR MACHINERY HAZARD	1

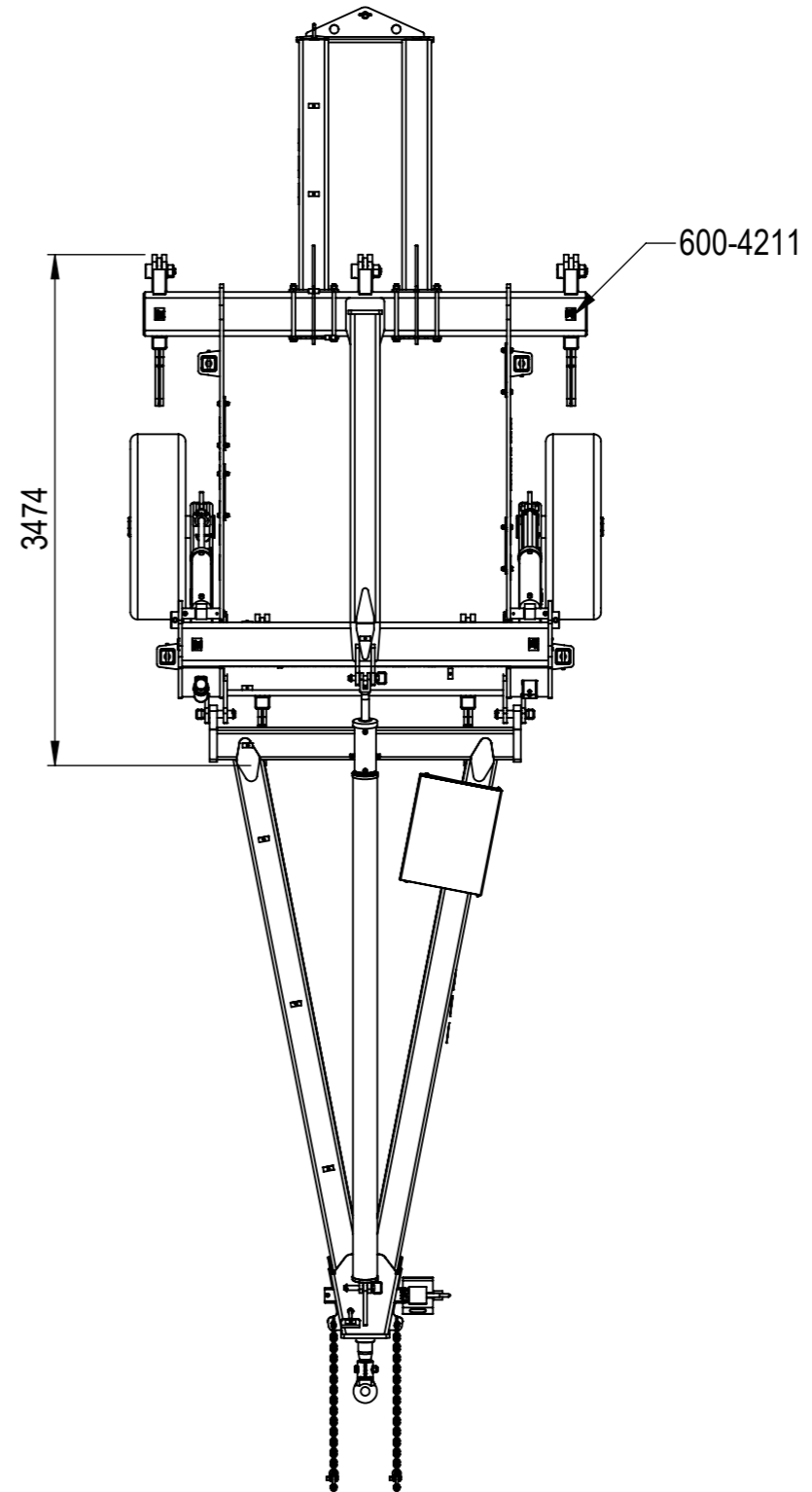
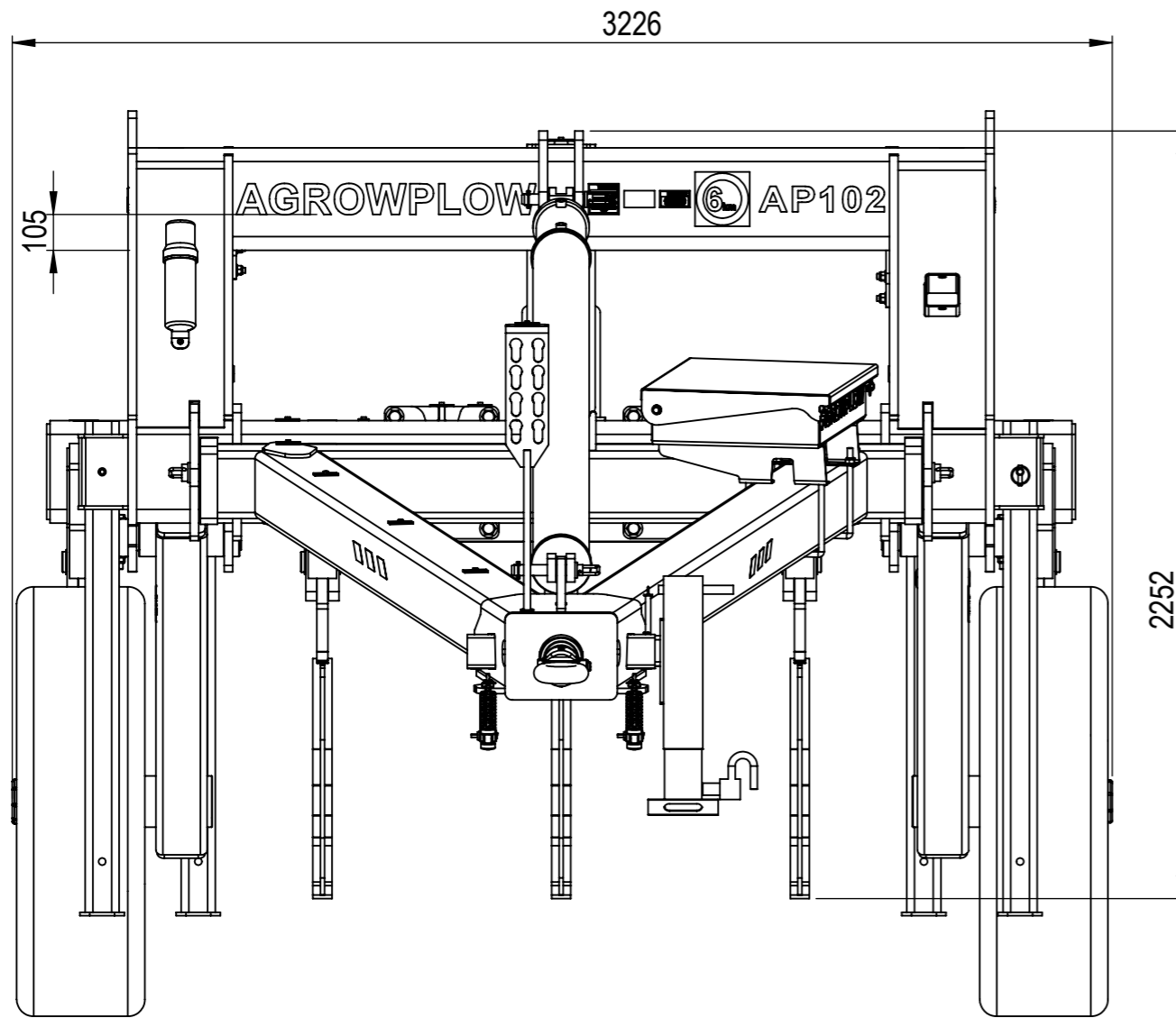
ITEM NO.	PART NUMBER	DESCRIPTION	QTY.
14	600-4357	TYRE OR WHEEL EXPLOSION DECAL	2
15	600-4382	MAX SPEED 6km	1
16	607-1103	AGROWFLOW AP102 Decal 878mm x 90mm	1
17	607-1104	AP102 DECAL 878 X 90	1
18	607-1107	DECAL AP102 LEFT SIDE	1
19	607-1108	DECAL AP102 RIGHT SIDE	1
20	607-2003	AP102 x 5 SHANK 3.5m WORKING WITH SHANK LAY-OUT	1
21	607-2012	AP 102 HYDRAULIC LEVEL LIFT HITCH	1
22	607-2013	AP102 WHEEL ARM RH	1
23	607-2014	AP102 WHEEL ARM LH	1
24	607-2015	REAR TOW HITCH suits 200x200 HYD SHANKS	1
25	607-4065	TRANSPORT PLATES FOR A-FRAME	4



**AGROWFLOW**  
 COPYRIGHT RESERVED  
 THIS DRAWING IS THE PROPERTY AGROWFLOW PTY LTD, AND IS SUBJECT TO RETURN UPON DEMAND. IT IS SUBMITTED FOR USE ONLY IN CONNECTION WITH PROPOSALS OR CONTRACTS OF THIS ORGANISATION UPON THE EXPRESS CONDITION THAT IT IS NOT TO BE USED DIRECTLY OR INDIRECTLY IN ANY WAY DETRIMENTAL TO THE INTERESTES OF AGROWFLOW PTY LTD.

**AP102 x 5 SHANK 3.5m  
 WORKING WIDTH**  
 LAST PRINTED 20/10/2022 TOTAL MASS 6053.23 Kg

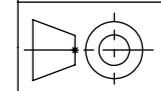
PART NUMBER SUPERSEDE  
**607-1003**  
 SHEET: 1 OF 5 PAGE: Page13

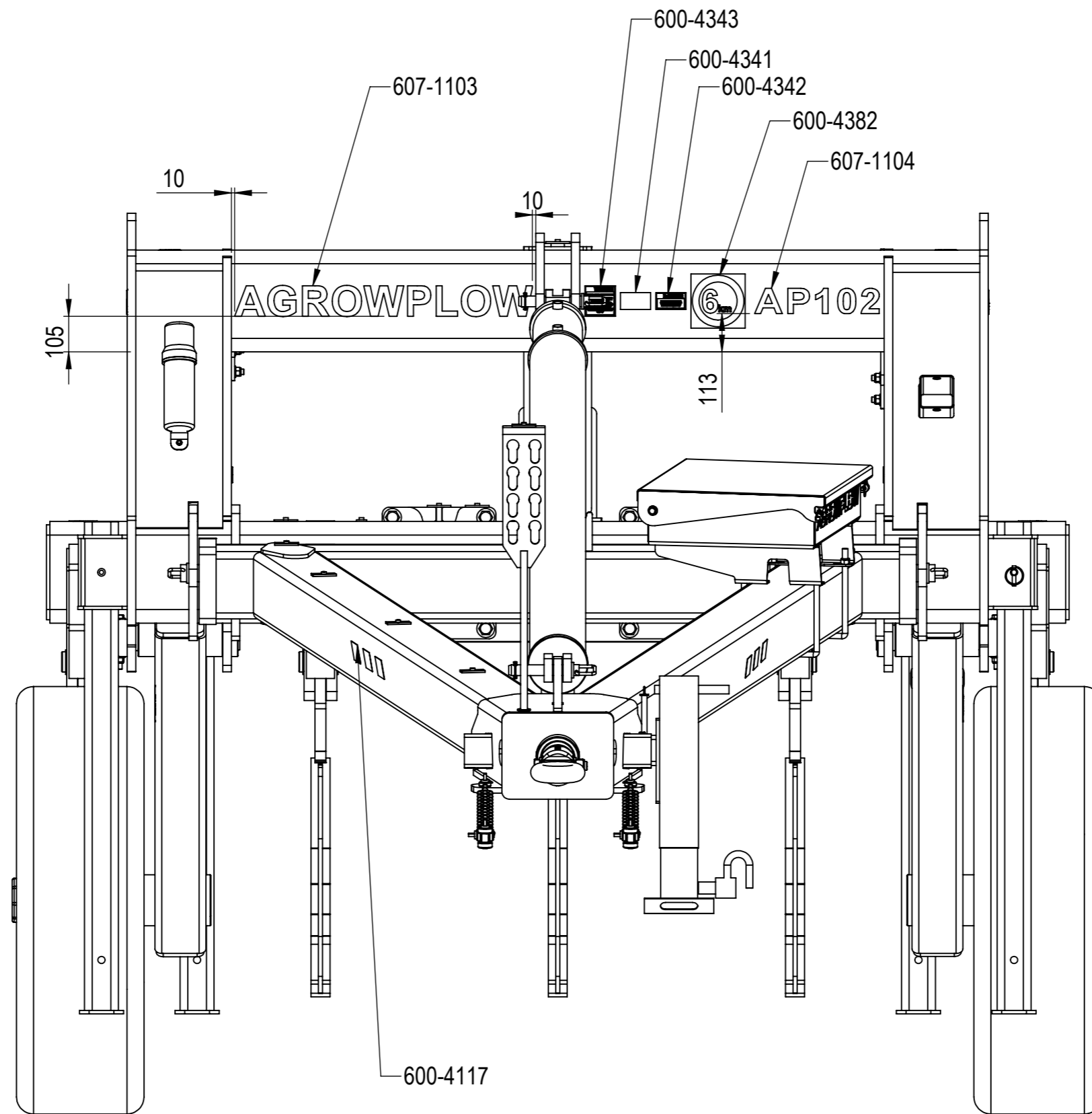


**AGROWFLOW**  
 COPYRIGHT RESERVED  
 THIS DRAWING IS THE PROPERTY AGROWFLOW PTY LTD, AND IS SUBJECT TO RETURN UPON DEMAND. IT IS SUBMITTED FOR USE ONLY IN CONNECTION WITH PROPOSALS OR CONTRACTS OF THIS ORGANISATION UPON THE EXPRESS CONDITION THAT IT IS NOT TO BE USED DIRECTLY OR INDIRECTLY IN ANY WAY DETRIMENTAL TO THE INTERESTES OF AGROWFLOW PTY LTD.

**AP102 x 5 SHANK 3.5m  
 WORKING WIDTH**  
 LAST PRINTED 20/10/2022

PART NUMBER  
**607-1003**  
 SHEET: 2 OF 5 PAGE: Page14





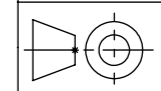
**AGROWFLOW**  
 COPYRIGHT RESERVED  
 THIS DRAWING IS THE PROPERTY AGROWFLOW PTY LTD, AND IS SUBJECT TO RETURN UPON DEMAND. IT IS SUBMITTED FOR USE ONLY IN CONNECTION WITH PROPOSALS OR CONTRACTS OF THIS ORGANISATION UPON THE EXPRESS CONDITION THAT IT IS NOT TO BE USED DIRECTLY OR INDIRECTLY IN ANY WAY DETRIMENTAL TO THE INTERESTES OF AGROWFLOW PTY LTD.

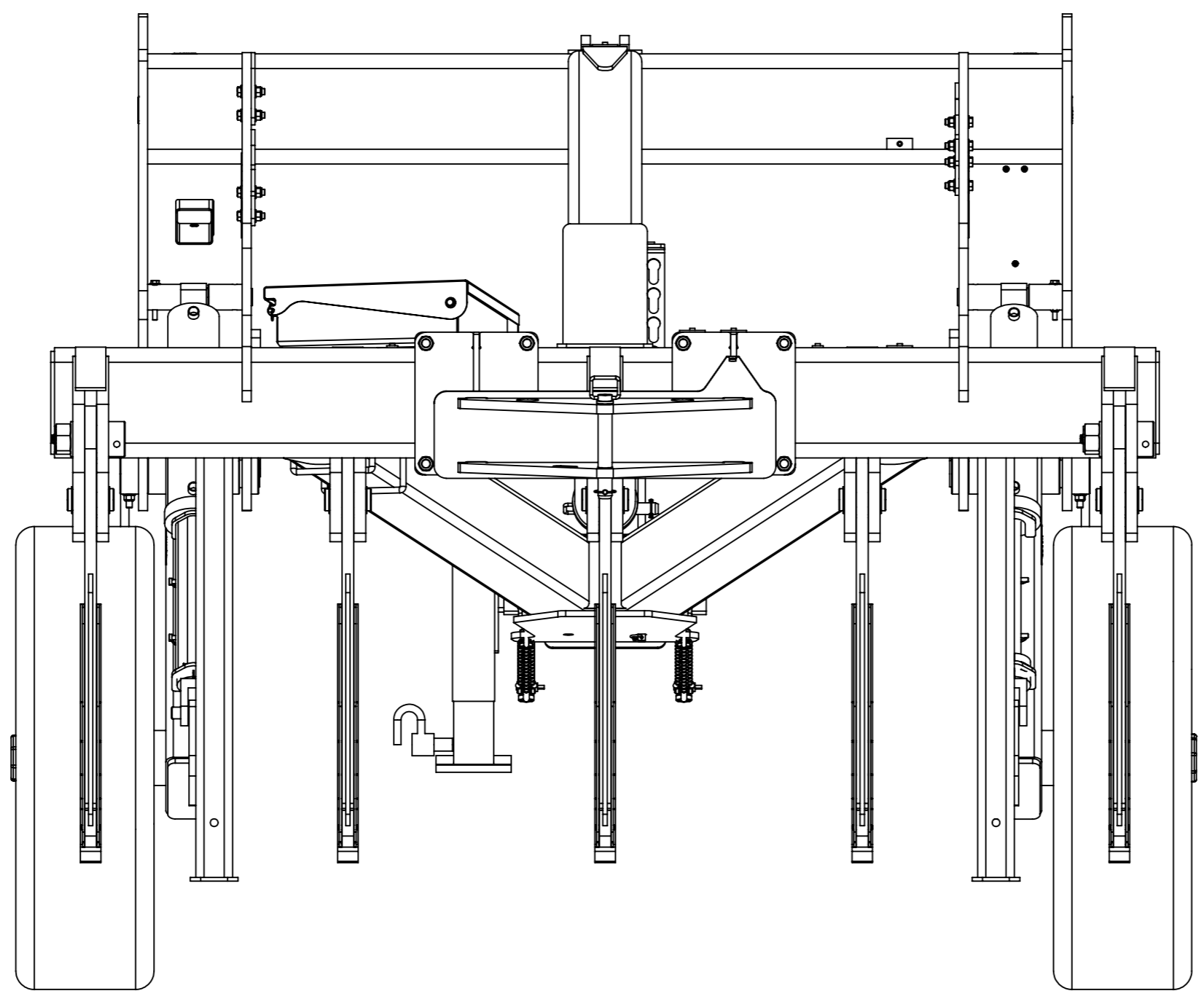
**AP102 x 5 SHANK 3.5m  
 WORKING WIDTH**

PART NUMBER  
**607-1003**

SHEET: 3 OF 5 PAGE: Page15

LAST PRINTED 20/10/2022



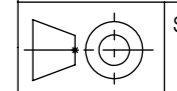


**AGROWFLOW**

COPYRIGHT RESERVED  
 THIS DRAWING IS THE PROPERTY AGROWFLOW PTY LTD, AND IS SUBJECT TO RETURN UPON DEMAND. IT IS SUBMITTED FOR USE ONLY IN CONNECTION WITH PROPOSALS OR CONTRACTS OF THIS ORGANISATION UPON THE EXPRESS CONDITION THAT IT IS NOT TO BE USED DIRECTLY OR INDIRECTLY IN ANY WAY DETRIMENTAL TO THE INTERESTES OF AGROWFLOW PTY LTD.

**AP102 x 5 SHANK 3.5m  
 WORKING WIDTH**

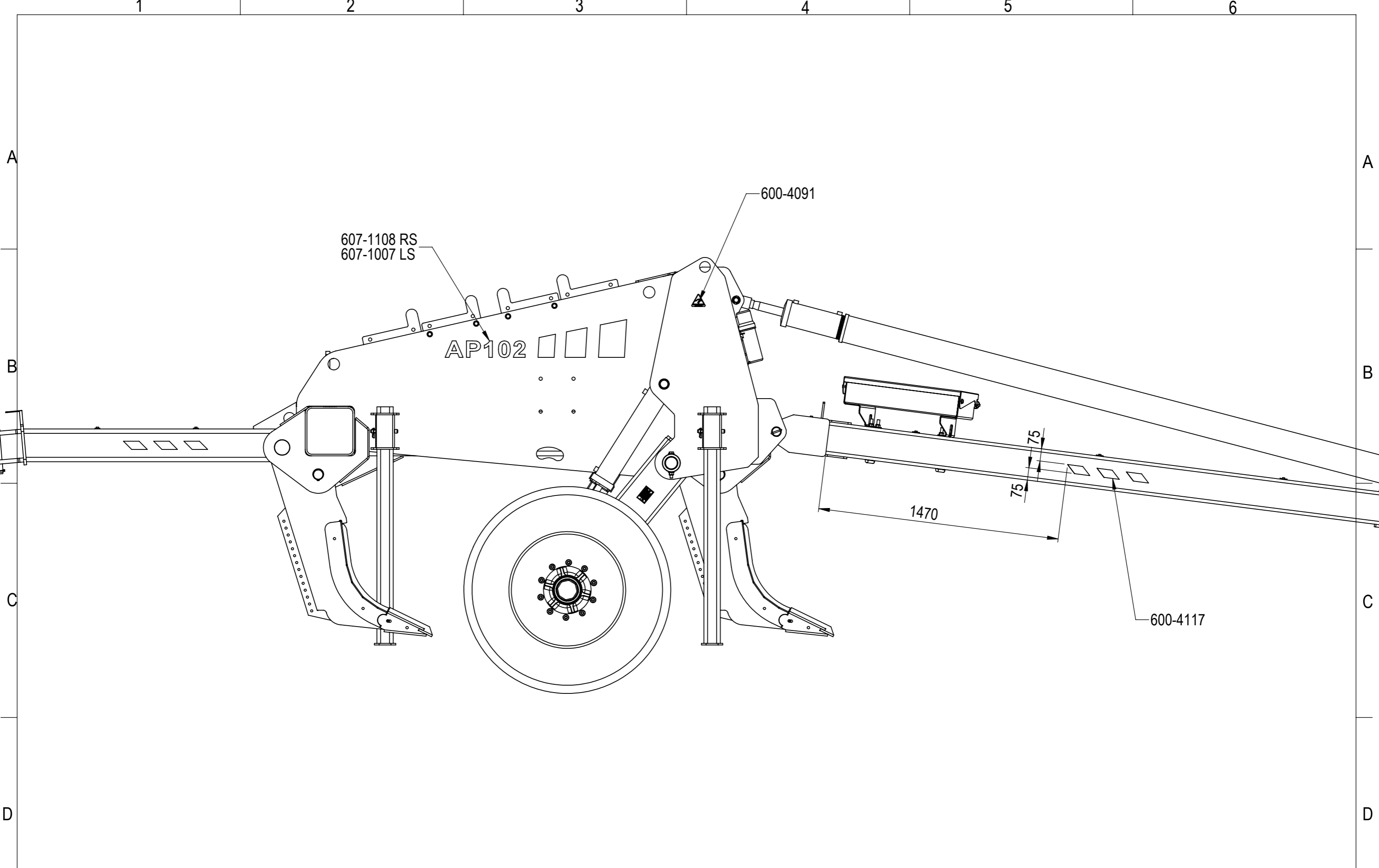
PART NUMBER  
**607-1003**



SHEET: 4 OF 5  
 PAGE: Page16

LAST PRINTED 20/10/2022

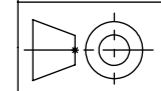




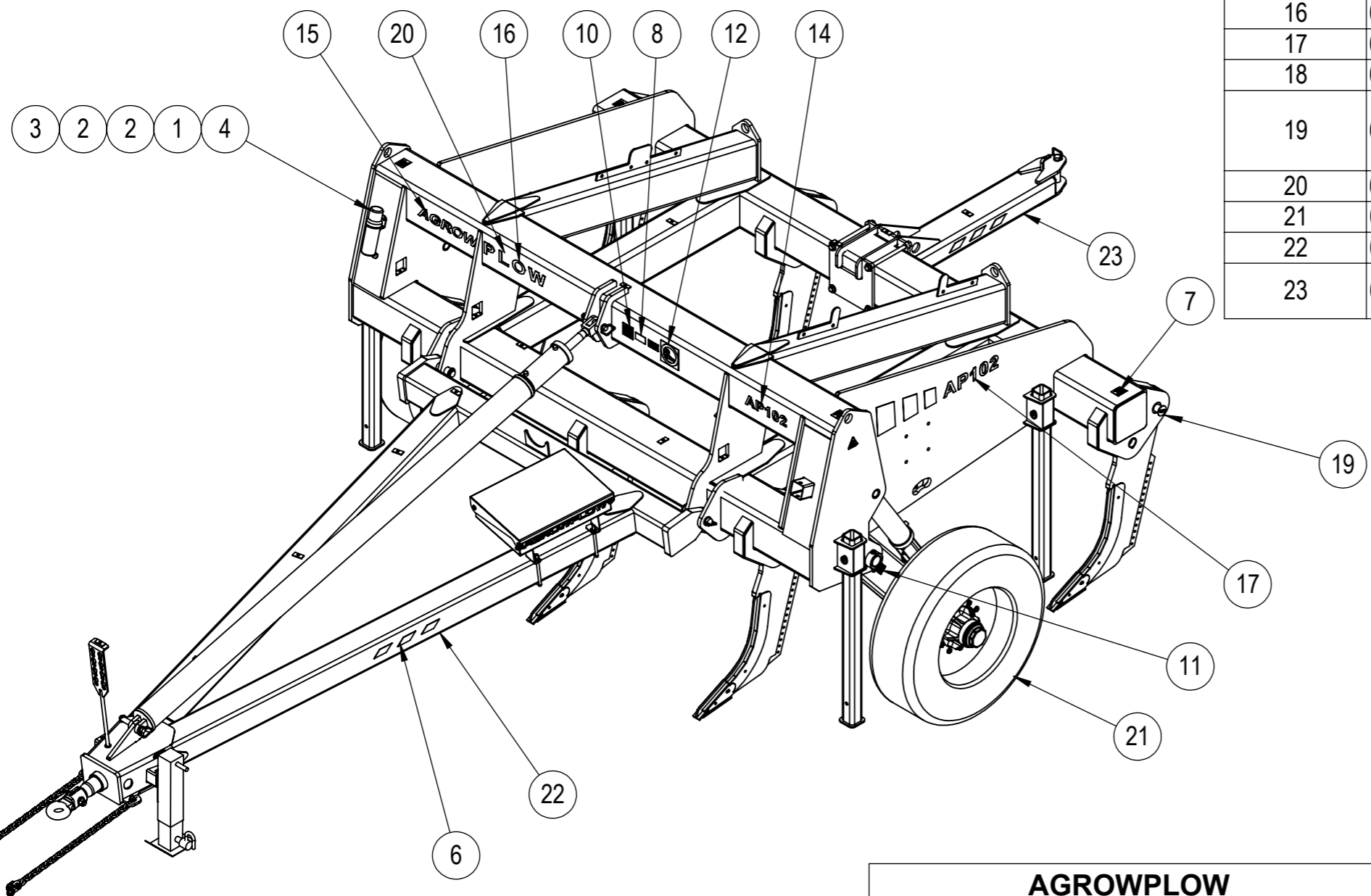
**AGROWFLOW**  
 COPYRIGHT RESERVED  
 THIS DRAWING IS THE PROPERTY AGROWFLOW PTY LTD, AND IS SUBJECT TO RETURN UPON DEMAND. IT IS SUBMITTED FOR USE ONLY IN CONNECTION WITH PROPOSALS OR CONTRACTS OF THIS ORGANISATION UPON THE EXPRESS CONDITION THAT IT IS NOT TO BE USED DIRECTLY OR INDIRECTLY IN ANY WAY DETRIMENTAL TO THE INTERESTES OF AGROWFLOW PTY LTD.

**AP102 x 5 SHANK 3.5m  
 WORKING WIDTH**  
 LAST PRINTED 20/10/2022

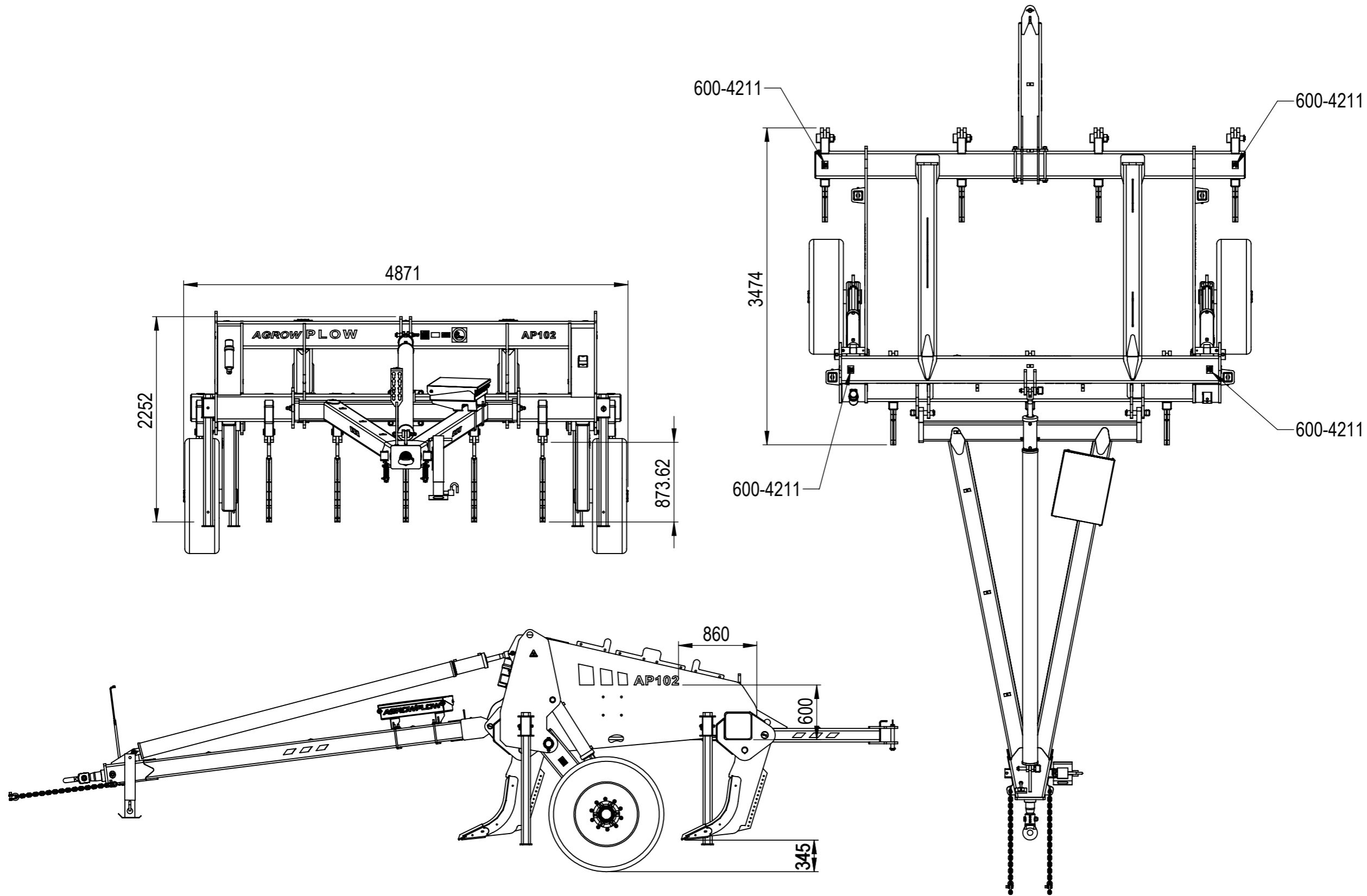
PART NUMBER  
**607-1003**  
 SHEET: 5 OF 5 PAGE: Page17



ITEM NO.	PART NUMBER	DESCRIPTION	QTY.
1	133-4169	M6 x 35 BOLT HEX ST STEEL	3
2	135-3010	WASHER FLAT M6 ST/STEEL	6
3	202-0064	M06 HEX NYLOCK NUT ST/STEEL	3
4	202-0099	PLASTIC DOCK HOLDER	1
5	600-4091	AUSTRALIAN MADE	2
6	600-4117	DECAL STRIPES	4
7	600-4211	DANGER DO NOT RIDE	4
8	600-4341	DECAL WARNING CRUSHING HAZARD SL003	1
9	600-4342	DANGER DO NOT OPERATE NEAR BYSTANDERS	1
10	600-4343	TRACTOR MACHINERY HAZARD	1
11	600-4357	TYRE OR WHEEL EXPLOSION DECAL	2
12	600-4382	MAX SPEED 6km	1
13	607-1103	AGROPLOW AP102 Decal 878mm x 90mm	1
14	607-1104	AP102 DECAL 878 X 90	1
15	607-1105	AP102 AGROW DECAL 543x74	1
16	607-1106	AP102 PLOW DECAL 553X89	1
17	607-1107	DECAL AP102 LEFT SIDE	1
18	607-1108	DECAL AP102 RIGHT SIDE	1
19	607-2004	AP102 x 7 SHANK @643, 4.5m WORKING @ 643, WIDTH SHANK LAY-OUT	1
20	607-2013	AP102 WHEEL ARM RH	1
21	607-2014	AP102 WHEEL ARM LH	1
22	607-2018	AP 102 HYDRAULIC LEVEL LIFT HITCH	1
23	607-2020	REAR TOW HITCH suits 200x200 HYD SHANKS	1



<p align="center"><b>AGROWFLOW</b></p> <p align="center">COPYRIGHT RESERVED</p> <p align="center">THIS DRAWING IS THE PROPERTY AGROWFLOW PTY LTD, AND IS SUBJECT TO RETURN UPON DEMAND. IT IS SUBMITTED FOR USE ONLY IN CONNECTION WITH PROPOSALS OR CONTRACTS OF THIS ORGANISATION UPON THE EXPRESS CONDITION THAT IT IS NOT TO BE USED DIRECTLY OR INDIRECTLY IN ANY WAY DETRIMENTAL TO THE INTERESTES OF AGROWFLOW PTY LTD.</p>	<p align="center"><b>AP102 x 7 SHANK @ 750, 5.25m WORKING WIDTH</b></p>	<p>PART NUMBER SUPERSEDE <b>607-1004</b></p>
	<p>LAST PRINTED 20/10/2022</p>	<p>TOTAL MASS 7620.99 Kg</p>

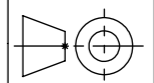


**AGROW PLOW**

COPYRIGHT RESERVED  
 THIS DRAWING IS THE PROPERTY AGROW PLOW PTY LTD, AND IS SUBJECT TO RETURN UPON DEMAND. IT IS SUBMITTED FOR USE ONLY IN CONNECTION WITH PROPOSALS OR CONTRACTS OF THIS ORGANISATION UPON THE EXPRESS CONDITION THAT IT IS NOT TO BE USED DIRECTLY OR INDIRECTLY IN ANY WAY DETRIMENTAL TO THE INTERESTES OF AGROW PLOW PTY LTD.

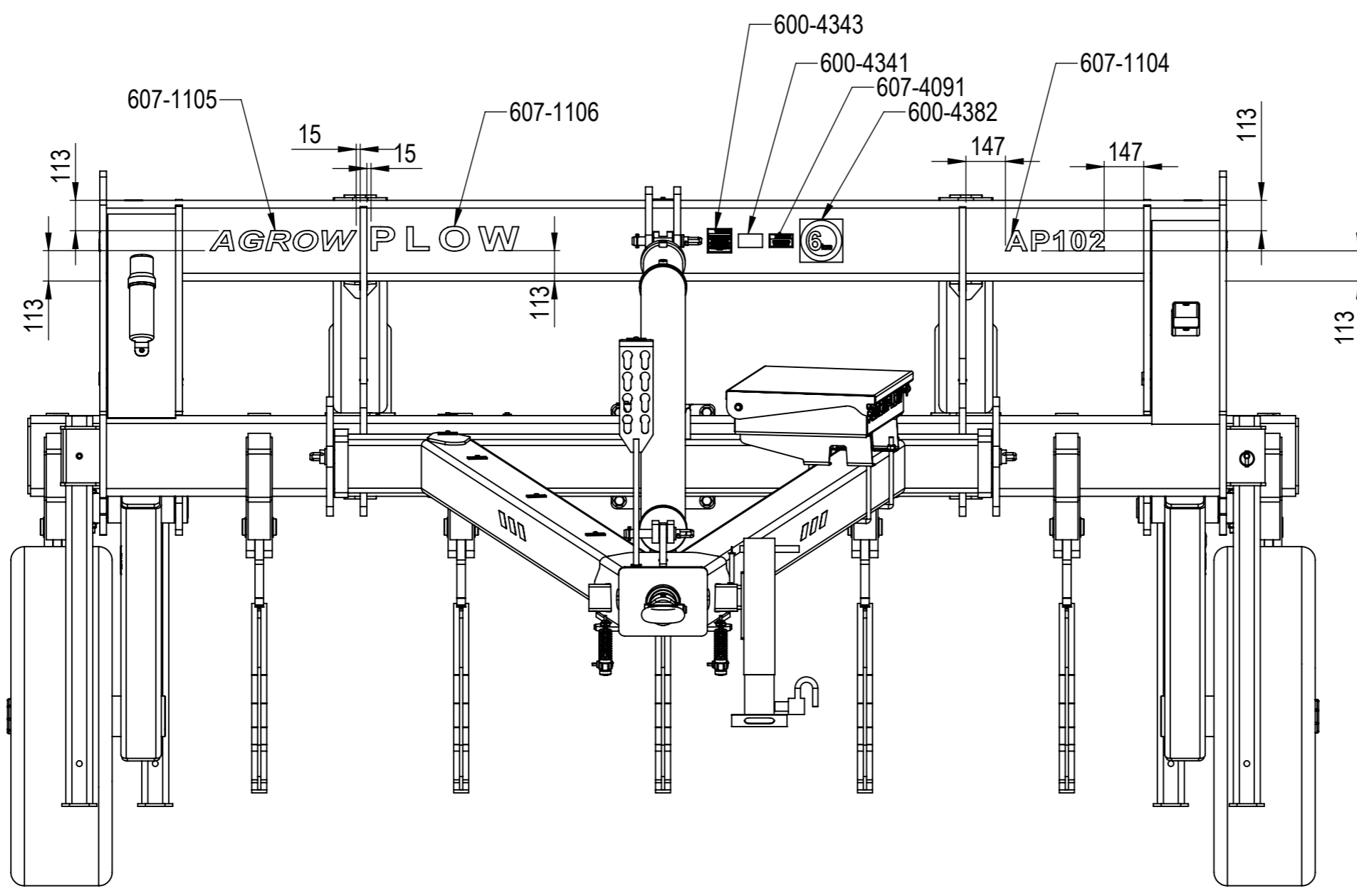
**AP102 x 7 SHANK @ 750,  
 5.25m WORKING WIDTH**

PART NUMBER  
**607-1004**



SHEET: PAGE:  
 2 OF 5 Page19

LAST PRINTED 20/10/2022



**AGROWPLOW**

COPYRIGHT RESERVED  
 THIS DRAWING IS THE PROPERTY AGROWPLOW PTY LTD, AND IS SUBJECT TO RETURN UPON DEMAND. IT IS SUBMITTED FOR USE ONLY IN CONNECTION WITH PROPOSALS OR CONTRACTS OF THIS ORGANISATION UPON THE EXPRESS CONDITION THAT IT IS NOT TO BE USED DIRECTLY OR INDIRECTLY IN ANY WAY DETRIMENTAL TO THE INTERESTES OF AGROWPLOW PTY LTD.

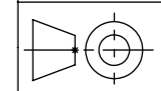
**AP102 x 7 SHANK @ 750,  
 5.25m WORKING WIDTH**

LAST PRINTED 20/10/2022

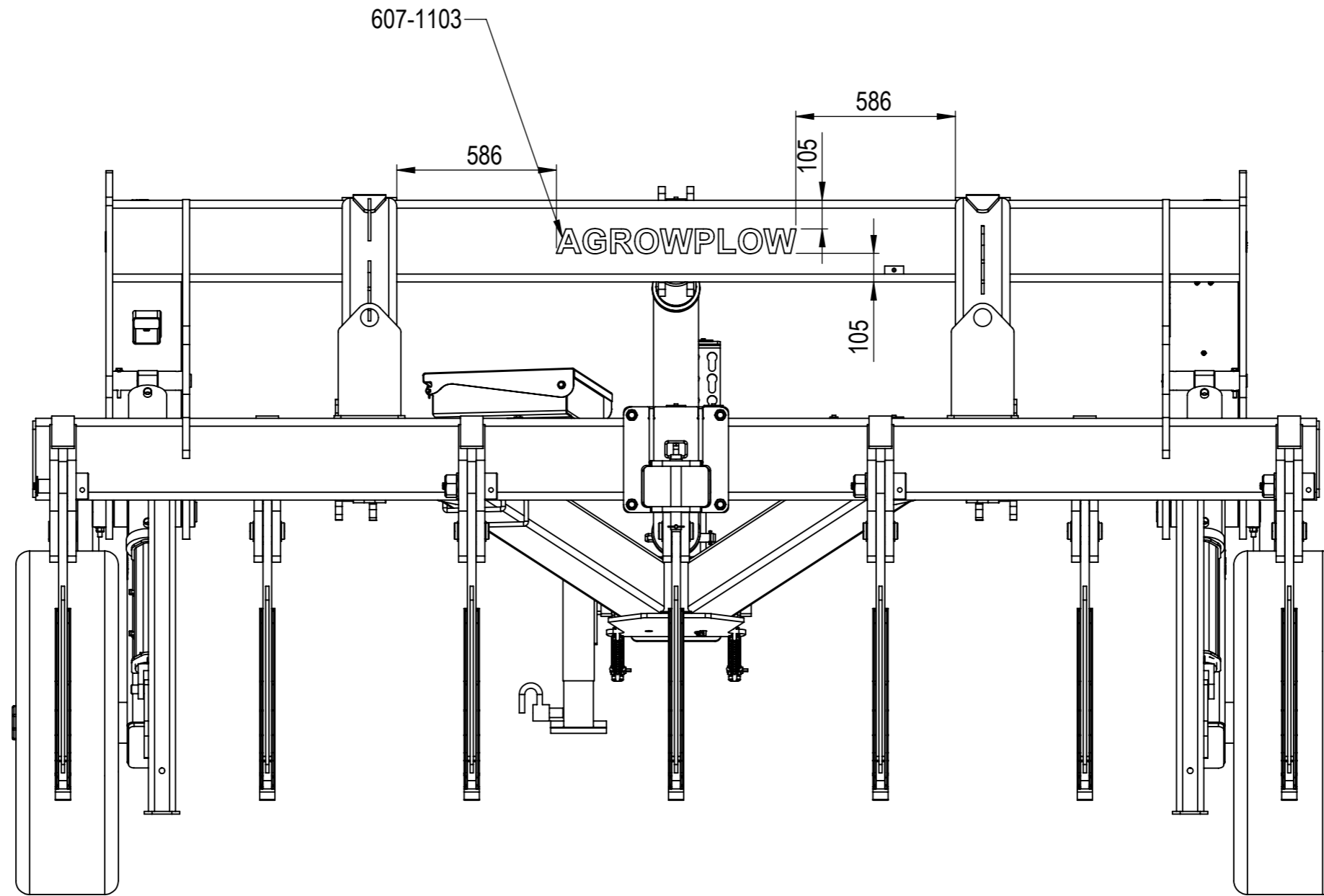
TOTAL MASS 7620.99 Kg

PART NUMBER SUPERSEDE

**607-1004**



SHEET: 3 OF 5  
 PAGE: Page20



**AGROWPLOW**

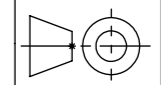
COPYRIGHT RESERVED  
THIS DRAWING IS THE PROPERTY AGROWPLOW PTY LTD, AND IS SUBJECT TO RETURN UPON DEMAND. IT IS SUBMITTED FOR USE ONLY IN CONNECTION WITH PROPOSALS OR CONTRACTS OF THIS ORGANISATION UPON THE EXPRESS CONDITION THAT IT IS NOT TO BE USED DIRECTLY OR INDIRECTLY IN ANY WAY DETRIMENTAL TO THE INTERESTES OF AGROWPLOW PTY LTD.

**AP102 x 7 SHANK @ 750,  
5.25m WORKING WIDTH**

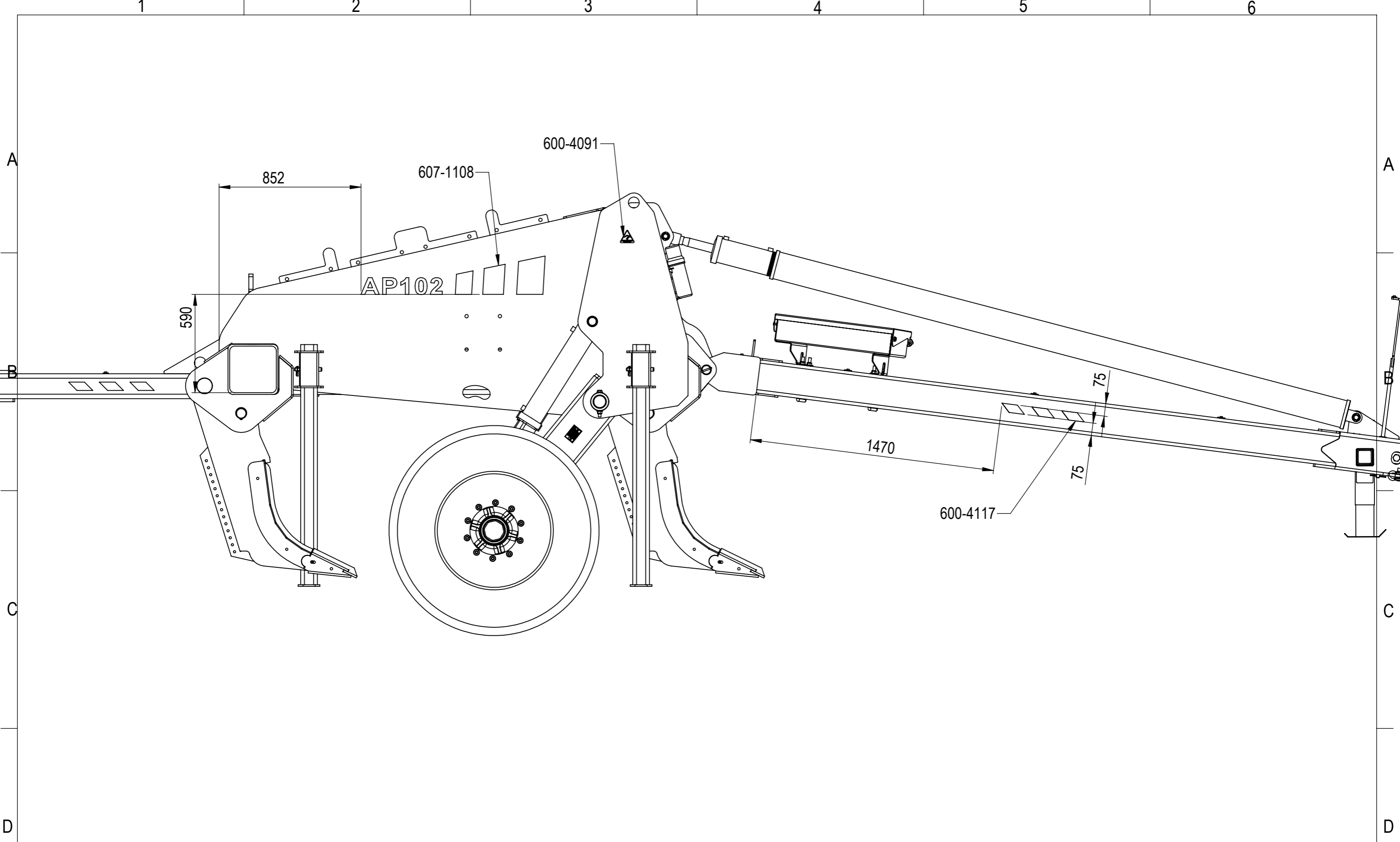
LAST PRINTED 20/10/2022

TOTAL MASS 7620.99 Kg

PART NUMBER SUPERSEDE  
**607-1004**



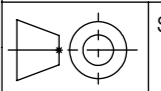
SHEET: 4 OF 5  
PAGE: Page21



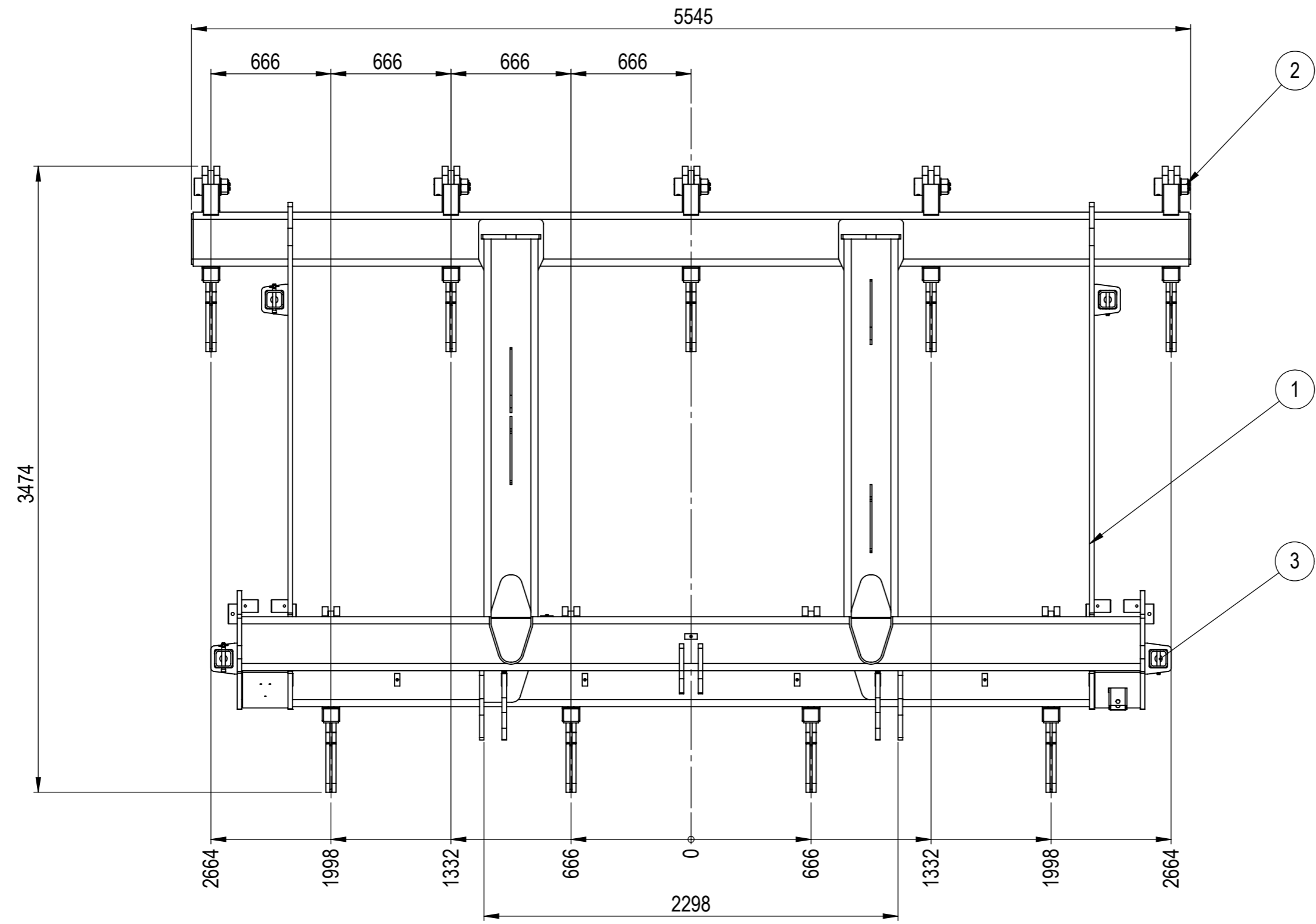
**AGROWFLOW**  
 COPYRIGHT RESERVED  
 THIS DRAWING IS THE PROPERTY AGROWFLOW PTY LTD, AND IS SUBJECT TO RETURN UPON DEMAND. IT IS SUBMITTED FOR USE ONLY IN CONNECTION WITH PROPOSALS OR CONTRACTS OF THIS ORGANISATION UPON THE EXPRESS CONDITION THAT IT IS NOT TO BE USED DIRECTLY OR INDIRECTLY IN ANY WAY DETRIMENTAL TO THE INTERESTES OF AGROWFLOW PTY LTD.

**AP102 x 7 SHANK @ 750,  
 5.25m WORKING WIDTH**  
 LAST PRINTED 20/10/2022 TOTAL MASS 7620.99 Kg

PART NUMBER SUPERSEDE  
**607-1004**  
 SHEET: PAGE:  
 5 OF 5 Page22



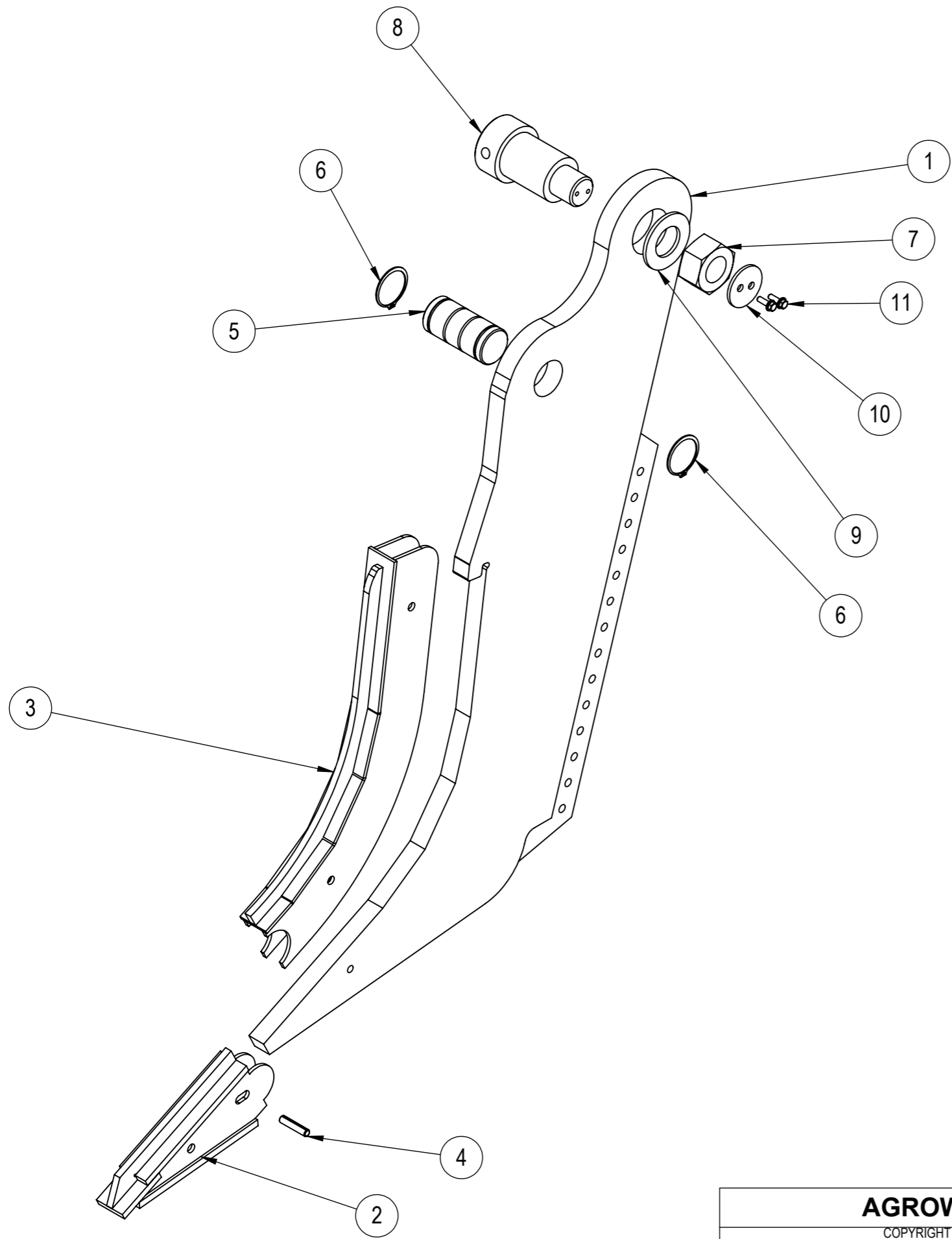
ITEM NO.	PART NUMBER	DESCRIPTION	QTY.
1	607-3001	AP102x9 SHANK @ 666, 6m WORKING WIDTH FRAME	1
2	027-2015	AP102 STANDERD TYNE ASSEMBLY	9
3	607-2016	AP120 TRANSPORT STAND	4



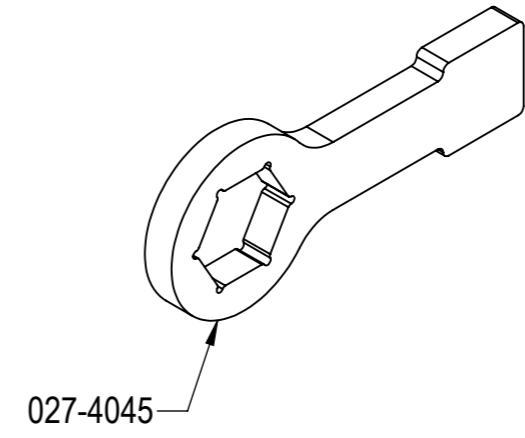
**AGROWFLOW**  
 COPYRIGHT RESERVED  
 THIS DRAWING IS THE PROPERTY AGROWFLOW PTY LTD, AND IS SUBJECT TO RETURN UPON DEMAND. IT IS SUBMITTED FOR USE ONLY IN CONNECTION WITH PROPOSALS OR CONTRACTS OF THIS ORGANISATION UPON THE EXSPRESS CONDITION THAT IT IS NOT TO BE USED DIRECTLY OR INDIRECTLY IN ANY WAY DETRIMENTAL TO THE INTERESTES OF AGROWFLOW PTY LTD.

**AP102 x 9 SHANKS  
 @666mm, 6m WORKING  
 WITH SHANK LAY-OUT**  
 LAST PRINTED 20/10/2022 TOTAL MASS 6649.12 Kg

PART NUMBER SUPERSEDE  
**607-2001**  
 SHEET: 1 OF 2 PAGE: Page23



ITEM NO.	PART NUMBER	DESCRIPTION	QTY.
1	027-3006	870mm HD SHANK WELDED ASSEMBLY	1
2	027-3003	HD SHANK POINT	1
3	027-3009	HD SHANK 870 SHIN GUARD	1
4	140-4087	ROLL PIN 12mm X 55mm	1
5	027-4020	39.8 SHEAR PIN FOR HD SHANK	1
6	136-1027	CIRCLIP 60mm EXT	2
7	027-4044	M45 NUT FOR HEAVY DUTY SHANK	1
8	027-4021	HD SHANK SWIVEL PIN	1
9	027-4022	HD SHANK WASHERS	1
10	027-4043	AP102 SHANK LOCKING PLATE	1
11	133-4021	M8 x 25 HEX FLANGE BOLT ZINC GR 8.8	2



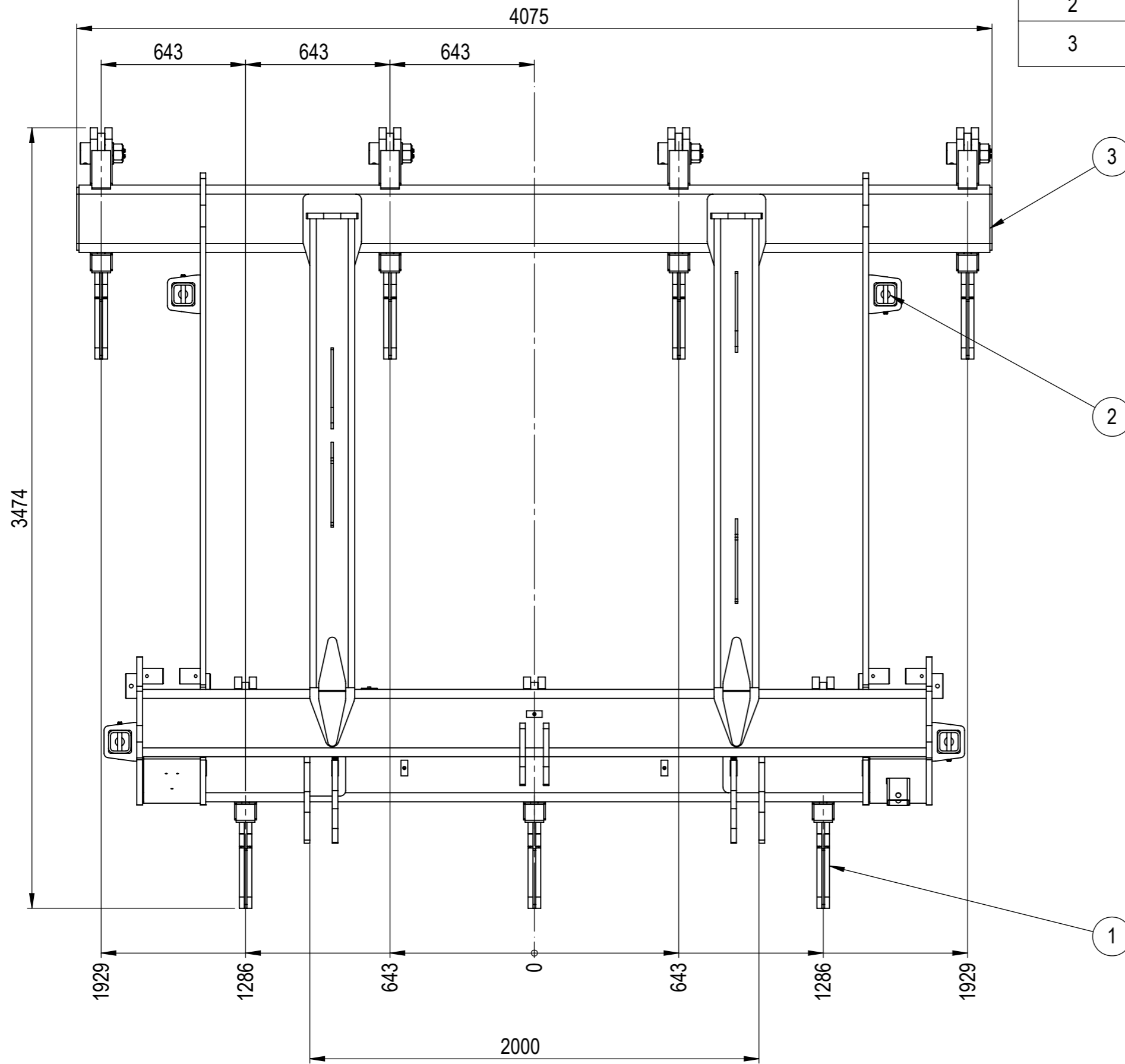
**AGROWFLOW**  
 COPYRIGHT RESERVED  
 THIS DRAWING IS THE PROPERTY AGROWFLOW PTY LTD, AND IS SUBJECT TO RETURN UPON DEMAND. IT IS SUBMITTED FOR USE ONLY IN CONNECTION WITH PROPOSALS OR CONTRACTS OF THIS ORGANISATION UPON THE EXPRESS CONDITION THAT IT IS NOT TO BE USED DIRECTLY OR INDIRECTLY IN ANY WAY DETRIMENTAL TO THE INTERESTES OF AGROWFLOW PTY LTD.

**AP102 x 9 SHANKS  
 @666mm, 6m WORKING  
 WITH SHANK LAY-OUT**  
 LAST PRINTED 20/10/2022

PART NUMBER  
**607-2001**  
 SHEET: 2 OF 2 PAGE: Page24



ITEM NO.	PART NUMBER	DESCRIPTION	QTY.
1	027-2015	AP102 STANDERD TYNE ASSEMBLY	7
2	607-2016	AP120 TRANSPORT STAND	4
3	607-3002	AP102x7 SHANK 4.5m WORKING WITH FRAME	1

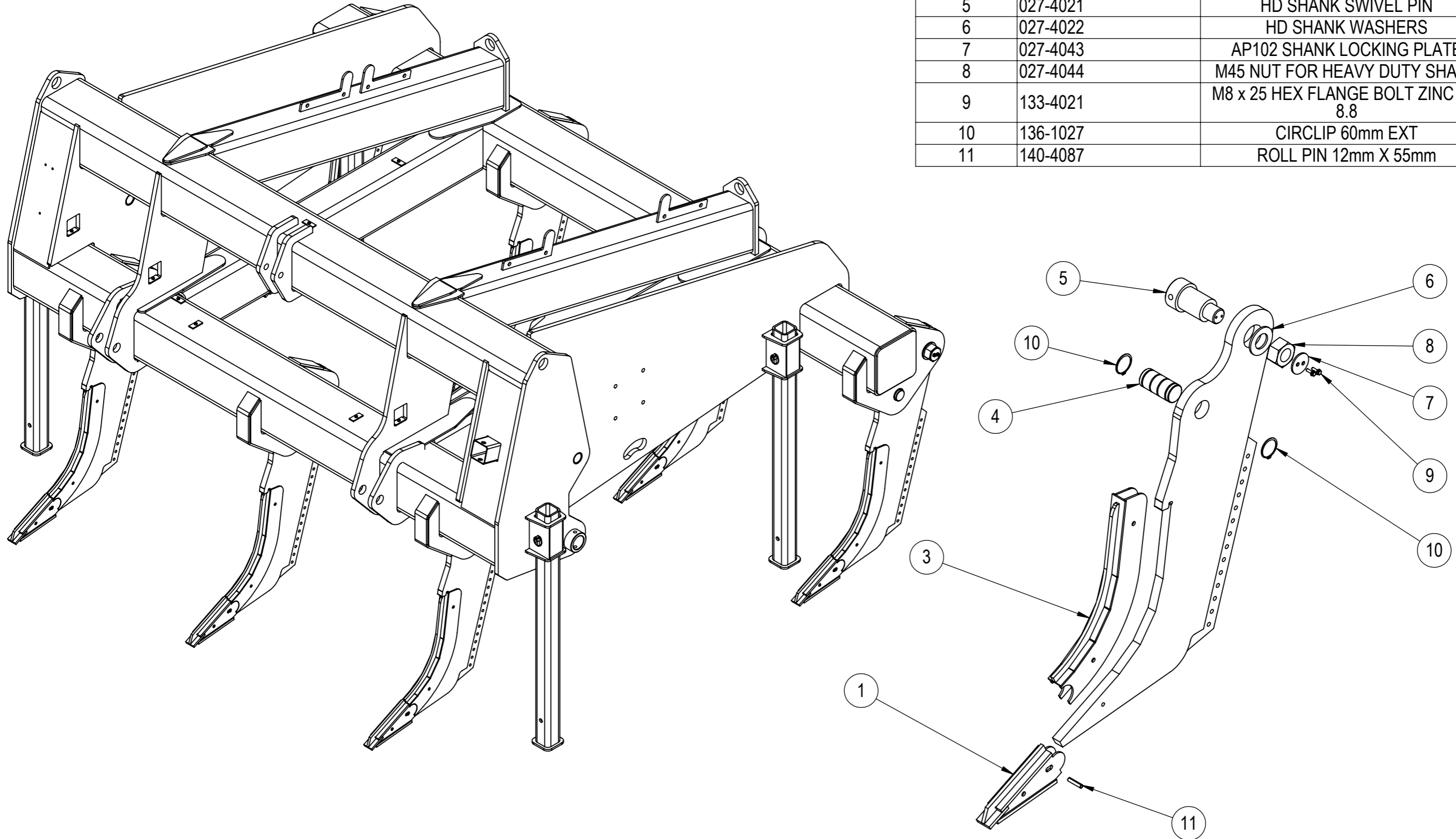


**AGROWFLOW**  
 COPYRIGHT RESERVED  
 THIS DRAWING IS THE PROPERTY AGROWFLOW PTY LTD, AND IS SUBJECT TO RETURN UPON DEMAND. IT IS SUBMITTED FOR USE ONLY IN CONNECTION WITH PROPOSALS OR CONTRACTS OF THIS ORGANISATION UPON THE EXPRESS CONDITION THAT IT IS NOT TO BE USED DIRECTLY OR INDIRECTLY IN ANY WAY DETRIMENTAL TO THE INTERESTES OF AGROWFLOW PTY LTD.

**AP102 x 7 SHANK @643,  
 4.5m WORKING @ 643,  
 WIDTH SHANK LAY-OUT**  
 LAST PRINTED 20/10/2022 TOTAL MASS 5408.83 Kg

PART NUMBER SUPERSEDE  
**607-2002**  
 SHEET: 1 OF 2 PAGE: Page25

ITEM NO.	PART NUMBER	DESCRIPTION	QTY.
1	027-3003	HD SHANK POINT	1
2	027-3006	870mm HD SHANK WELDED ASSEMBLY	1
3	027-3009	HD SHANK 870 SHIN GUARD	1
4	027-4020	39.8 SHEAR PIN FOR HD SHANK	1
5	027-4021	HD SHANK SWIVEL PIN	1
6	027-4022	HD SHANK WASHERS	1
7	027-4043	AP102 SHANK LOCKING PLATE	1
8	027-4044	M45 NUT FOR HEAVY DUTY SHANK	1
9	133-4021	M8 x 25 HEX FLANGE BOLT ZINC GR 8.8	2
10	136-1027	CIRCLIP 60mm EXT	2
11	140-4087	ROLL PIN 12mm X 55mm	1

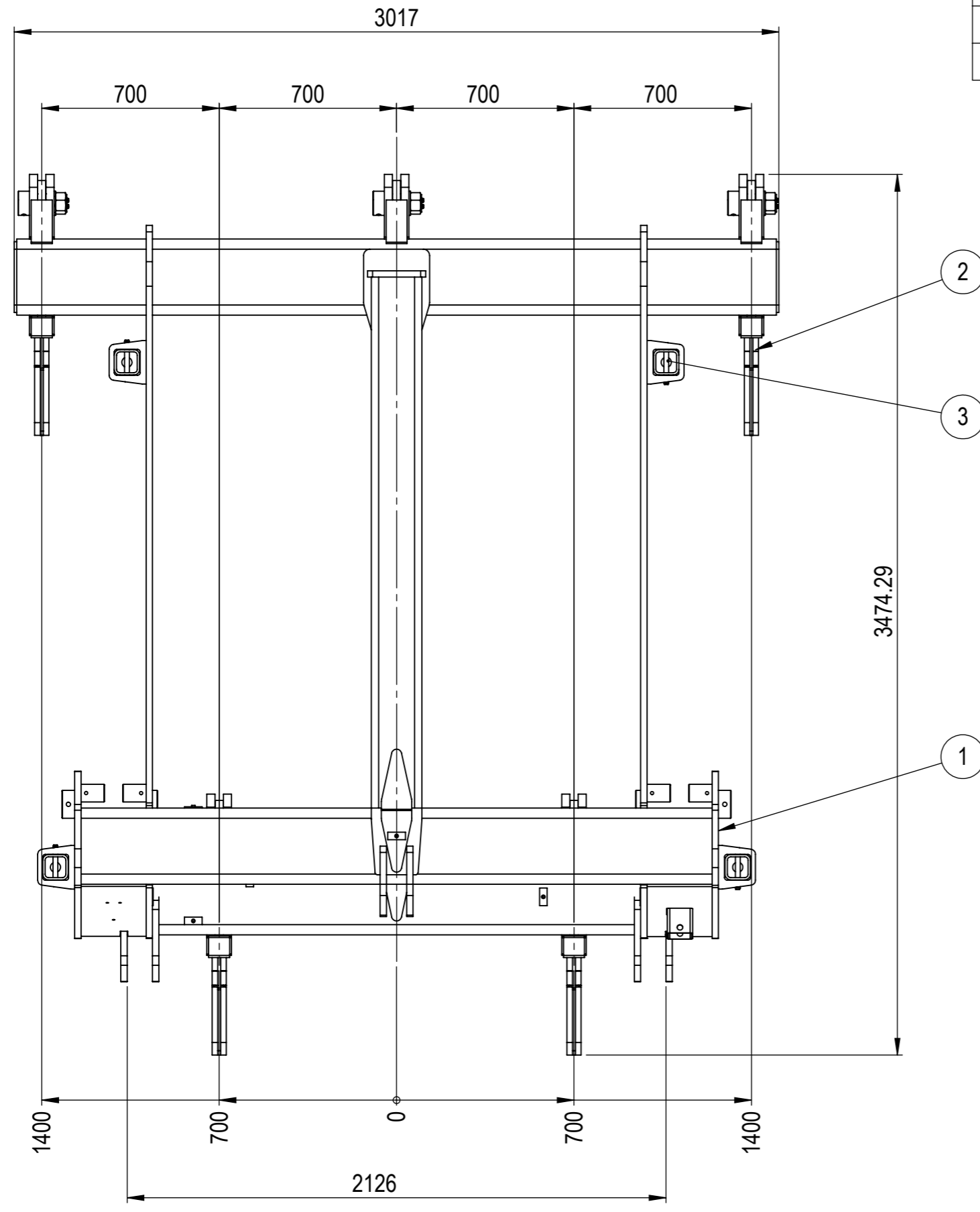


**AGROWFLOW**  
 COPYRIGHT RESERVED  
 THIS DRAWING IS THE PROPERTY AGROWFLOW PTY LTD, AND IS SUBJECT TO RETURN UPON DEMAND. IT IS SUBMITTED FOR USE ONLY IN CONNECTION WITH PROPOSALS OR CONTRACTS OF THIS ORGANISATION UPON THE EXPRESS CONDITION THAT IT IS NOT TO BE USED DIRECTLY OR INDIRECTLY IN ANY WAY DETRIMENTAL TO THE INTERESTES OF AGROWFLOW PTY LTD.

**AP102 x 7 SHANK @643,  
 4.5m WORKING @ 643,  
 WIDTH SHANK LAY-OUT**  
 LAST PRINTED 20/10/2022

PART NUMBER  
**607-2002**  
 SHEET: 2 OF 2 PAGE: Page26

ITEM NO.	PART NUMBER	DESCRIPTION	QTY.
1	607-3003	AP102 x 5 SHANK 3.5m WORKING WIDTH	1
2	027-2015	AP102 STANDERD TYNE ASSEMBLY	5
3	607-2016	AP120 TRANSPORT STAND	4



**AGROWFLOW**  
 COPYRIGHT RESERVED  
 THIS DRAWING IS THE PROPERTY AGROWFLOW PTY LTD, AND IS SUBJECT TO RETURN UPON DEMAND. IT IS SUBMITTED FOR USE ONLY IN CONNECTION WITH PROPOSALS OR CONTRACTS OF THIS ORGANISATION UPON THE EXPRESS CONDITION THAT IT IS NOT TO BE USED DIRECTLY OR INDIRECTLY IN ANY WAY DETRIMENTAL TO THE INTERESTES OF AGROWFLOW PTY LTD.

**AP102 x 5 SHANK 3.5m WORKING WITH SHANK LAY-OUT**  
 LAST PRINTED 20/10/2022 TOTAL MASS 3963.41 Kg

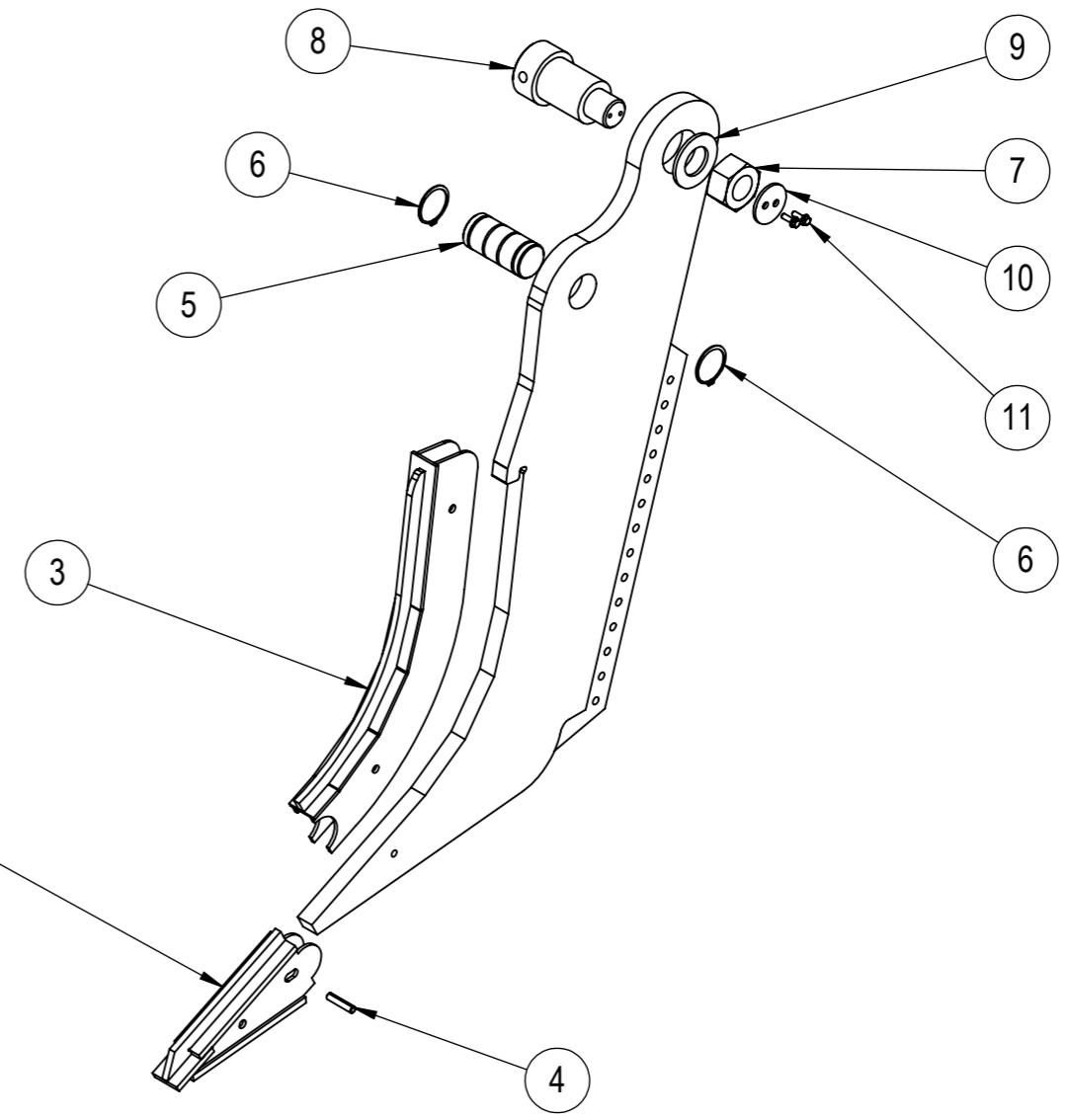
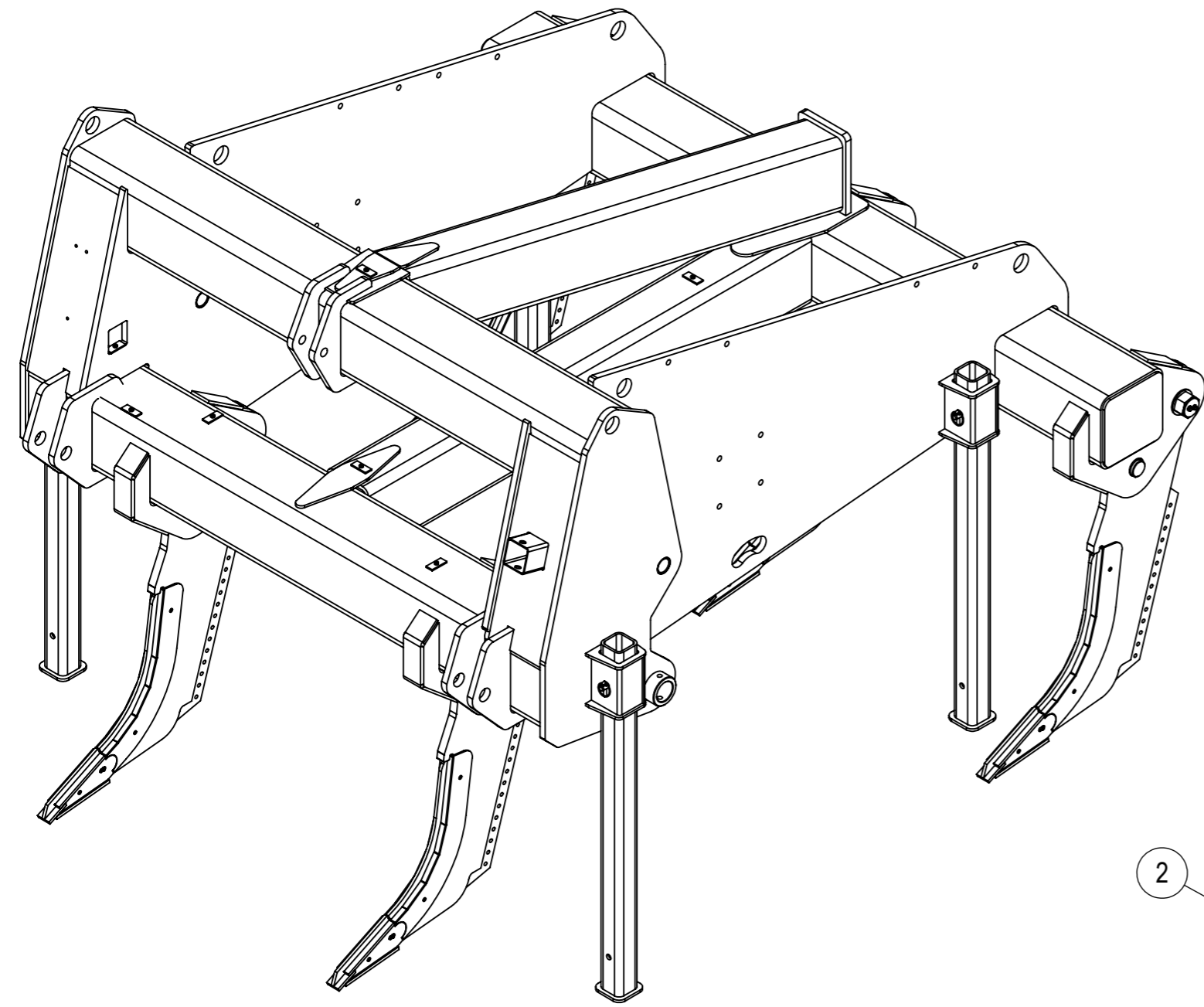
PART NUMBER SUPERSEDE  
**607-2003**  
 SHEET: 1 OF 2 PAGE: Page27

A  
B  
C  
D

A  
B  
C  
D

1 2 3 4 5 6

ITEM NO.	PART NUMBER	DESCRIPTION	QTY.
1	027-3006	870mm HD SHANK WELDED ASSEMBLY	1
2	027-3003	HD SHANK POINT	1
3	027-3009	HD SHANK 870 SHIN GUARD	1
4	140-4087	ROLL PIN 12mm X 55mm	1
5	027-4020	39.8 SHEAR PIN FOR HD SHANK	1
6	136-1027	CIRCLIP 60mm EXT	2
7	027-4044	M45 NUT FOR HEAVY DUTY SHANK	1
8	027-4021	HD SHANK SWIVEL PIN	1
9	027-4022	HD SHANK WASHERS	1
10	027-4043	AP102 SHANK LOCKING PLATE	1
11	133-4021	M8 x 25 HEX FLANGE BOLT ZINC GR 8.8	2

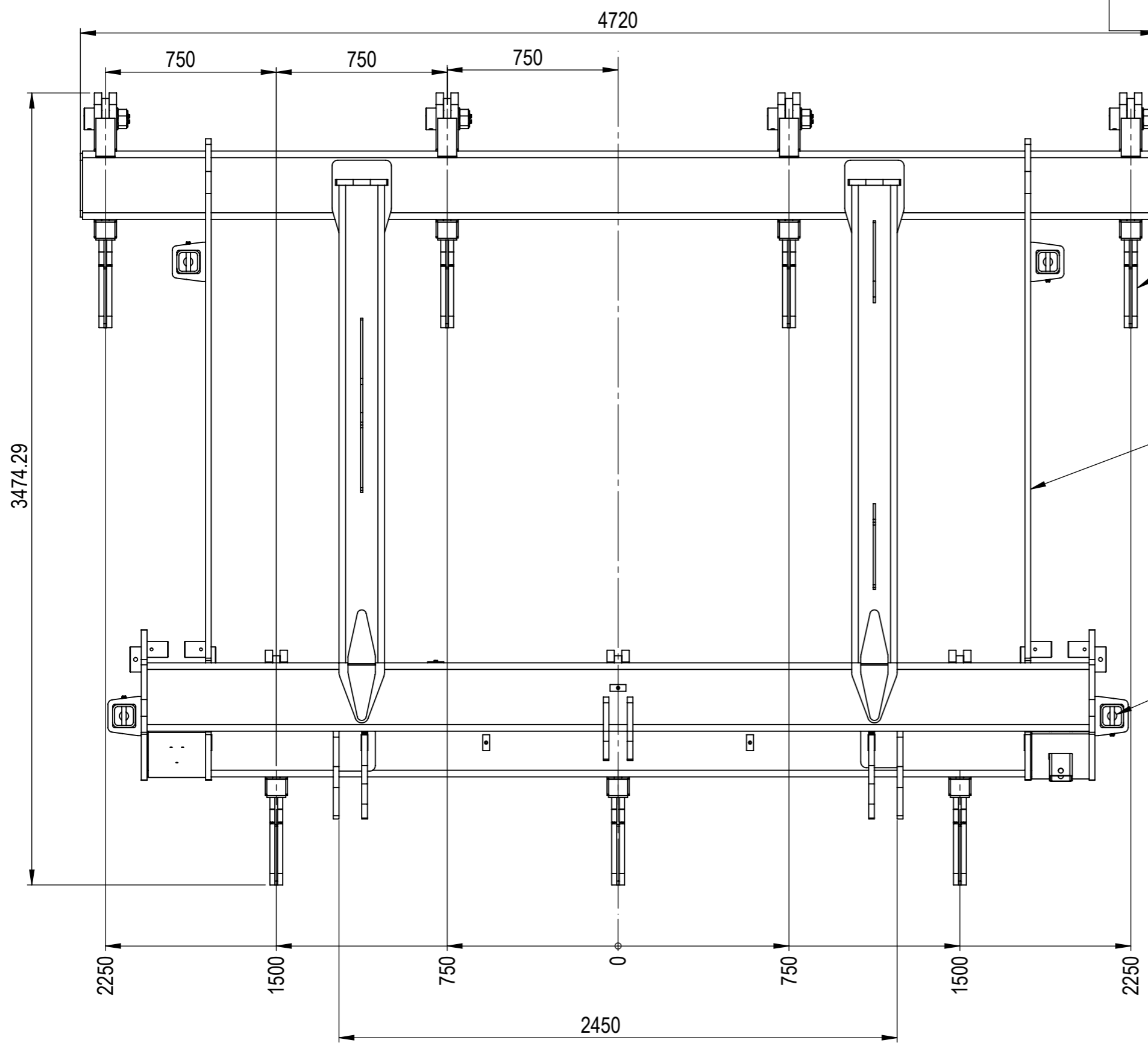


**AGROWFLOW**  
 COPYRIGHT RESERVED  
 THIS DRAWING IS THE PROPERTY AGROWFLOW PTY LTD, AND IS SUBJECT TO RETURN UPON DEMAND. IT IS SUBMITTED FOR USE ONLY IN CONNECTION WITH PROPOSALS OR CONTRACTS OF THIS ORGANISATION UPON THE EXPRESS CONDITION THAT IT IS NOT TO BE USED DIRECTLY OR INDIRECTLY IN ANY WAY DETRIMENTAL TO THE INTERESTES OF AGROWFLOW PTY LTD.

**AP102 x 5 SHANK 3.5m  
 WORKING WITH SHANK  
 LAY-OUT**  
 LAST PRINTED 20/10/2022 TOTAL MASS 3963.41 Kg

PART NUMBER SUPERSEDE  
**607-2003**  
 SHEET: PAGE:  
 2 OF 2 Page28

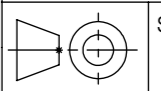
ITEM NO.	PART NUMBER	DESCRIPTION	QTY.
1	027-2015	AP102 STANDERD TYNE ASSEMBLY	7
2	607-2016	AP120 TRANSPORT STAND	4
3	607-3004	AP102 x 7 SHANK @750, 5.25m WORKING WIDTH SHANK FRAME	1



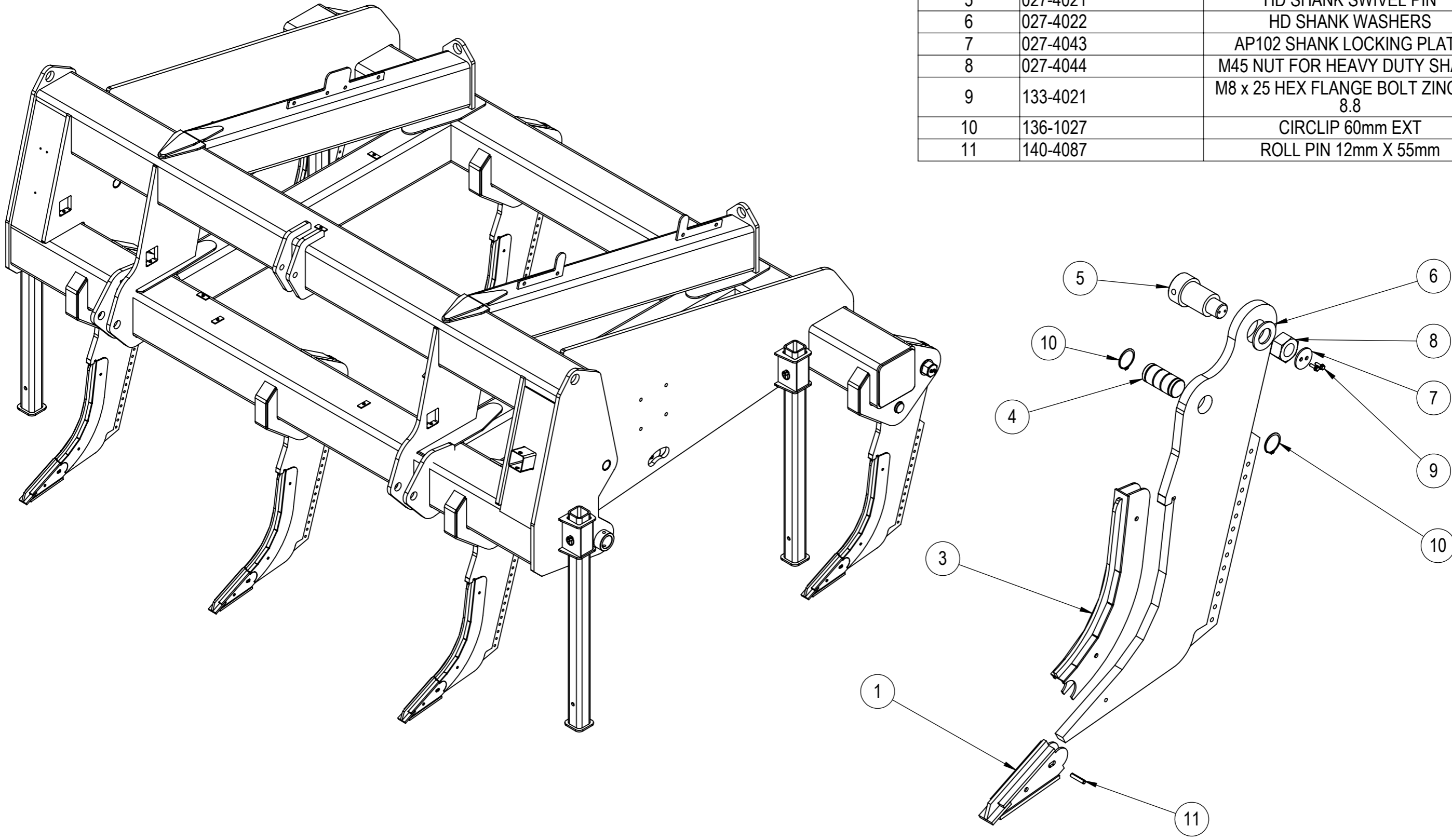
**AGROWFLOW**  
 COPYRIGHT RESERVED  
 THIS DRAWING IS THE PROPERTY AGROWFLOW PTY LTD, AND IS SUBJECT TO RETURN UPON DEMAND. IT IS SUBMITTED FOR USE ONLY IN CONNECTION WITH PROPOSALS OR CONTRACTS OF THIS ORGANISATION UPON THE EXPRESS CONDITION THAT IT IS NOT TO BE USED DIRECTLY OR INDIRECTLY IN ANY WAY DETRIMENTAL TO THE INTERESTES OF AGROWFLOW PTY LTD.

**AP102 x 7 SHANK @750, 5.25m WORKING, WIDTH SHANK LAY-OUT**  
 LAST PRINTED 20/10/2022 TOTAL MASS 5699.48 Kg

PART NUMBER SUPERSEDE  
**607-2004**  
 SHEET: 1 OF 2 PAGE: Page29

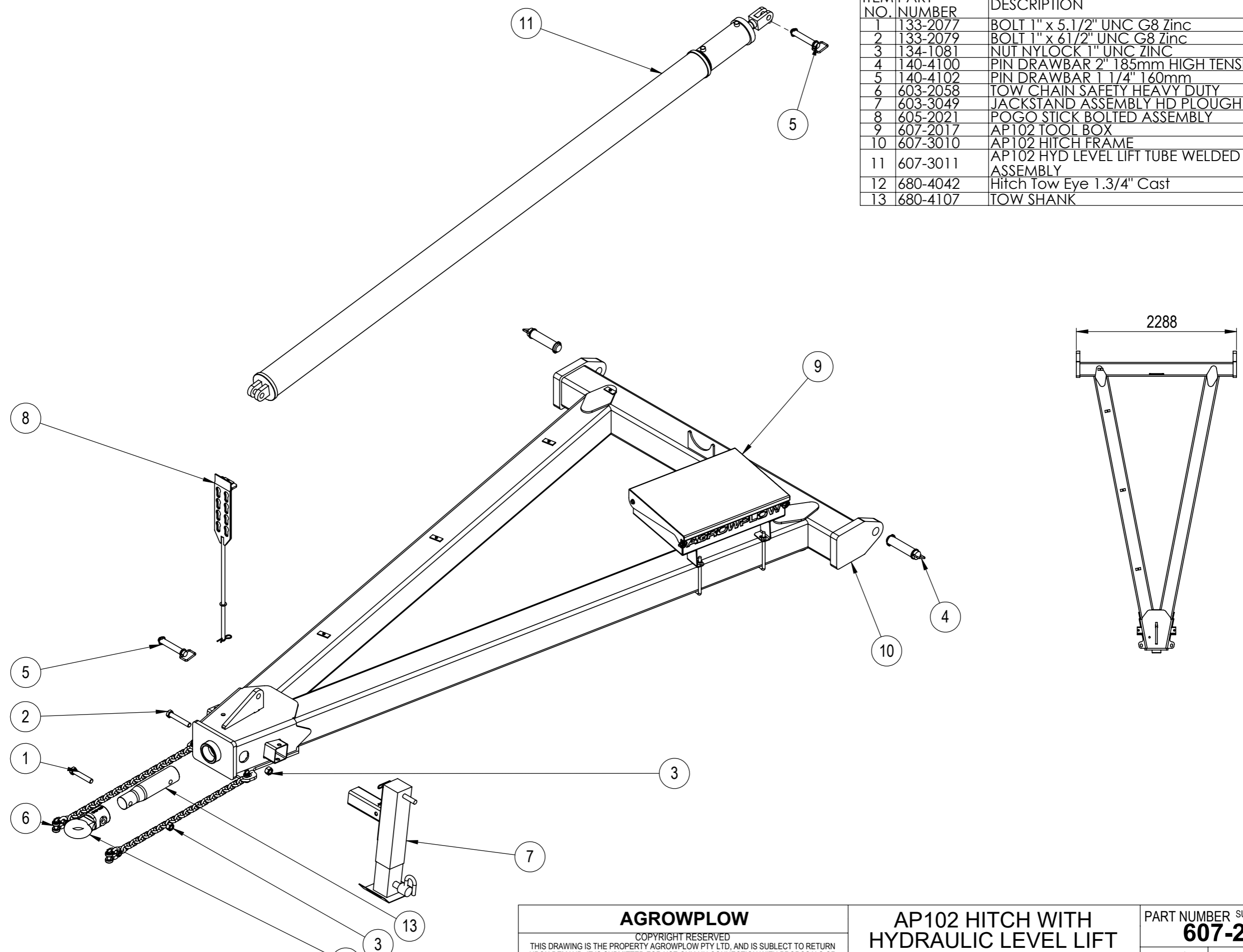


ITEM NO.	PART NUMBER	DESCRIPTION	QTY.
1	027-3003	HD SHANK POINT	1
2	027-3006	870mm HD SHANK WELDED ASSEMBLY	1
3	027-3009	HD SHANK 870 SHIN GUARD	1
4	027-4020	39.8 SHEAR PIN FOR HD SHANK	1
5	027-4021	HD SHANK SWIVEL PIN	1
6	027-4022	HD SHANK WASHERS	1
7	027-4043	AP102 SHANK LOCKING PLATE	1
8	027-4044	M45 NUT FOR HEAVY DUTY SHANK	1
9	133-4021	M8 x 25 HEX FLANGE BOLT ZINC GR 8.8	2
10	136-1027	CIRCLIP 60mm EXT	2
11	140-4087	ROLL PIN 12mm X 55mm	1



<p><b>AGROWFLOW</b></p> <p><small>COPYRIGHT RESERVED</small></p> <p><small>THIS DRAWING IS THE PROPERTY AGROWFLOW PTY LTD, AND IS SUBJECT TO RETURN UPON DEMAND. IT IS SUBMITTED FOR USE ONLY IN CONNECTION WITH PROPOSALS OR CONTRACTS OF THIS ORGANISATION UPON THE EXPRESS CONDITION THAT IT IS NOT TO BE USED DIRECTLY OR INDIRECTLY IN ANY WAY DETRIMENTAL TO THE INTERESTES OF AGROWFLOW PTY LTD.</small></p>	<p><b>AP102 x 7 SHANK @750, 5.25m WORKING, WIDTH SHANK LAY-OUT</b></p> <p><small>LAST PRINTED 20/10/2022</small></p>	<p>PART NUMBER <b>607-2004</b></p>
	<p><small>SHEET: 2 OF 2</small></p>	<p><small>PAGE: Page30</small></p>

ITEM NO.	PART NUMBER	DESCRIPTION	QTY
1	133-2077	BOLT 1" x 5.1/2" UNC G8 Zinc	1
2	133-2079	BOLT 1" x 6.1/2" UNC G8 Zinc	1
3	134-1081	NUT NYLOCK 1" UNC ZINC	2
4	140-4100	PIN DRAWBAR 2" 185mm HIGH TENSILE	2
5	140-4102	PIN DRAWBAR 1 1/4" 160mm	2
6	603-2058	TOW CHAIN SAFETY HEAVY DUTY	2
7	603-3049	JACKSTAND ASSEMBLY HD PLOUGH	1
8	605-2021	POGO STICK BOLTED ASSEMBLY	1
9	607-2017	AP102 TOOL BOX	1
10	607-3010	AP102 HITCH FRAME	1
11	607-3011	AP102 HYD LEVEL LIFT TUBE WELDED ASSEMBLY	1
12	680-4042	Hitch Tow Eye 1.3/4" Cast	1
13	680-4107	TOW SHANK	1



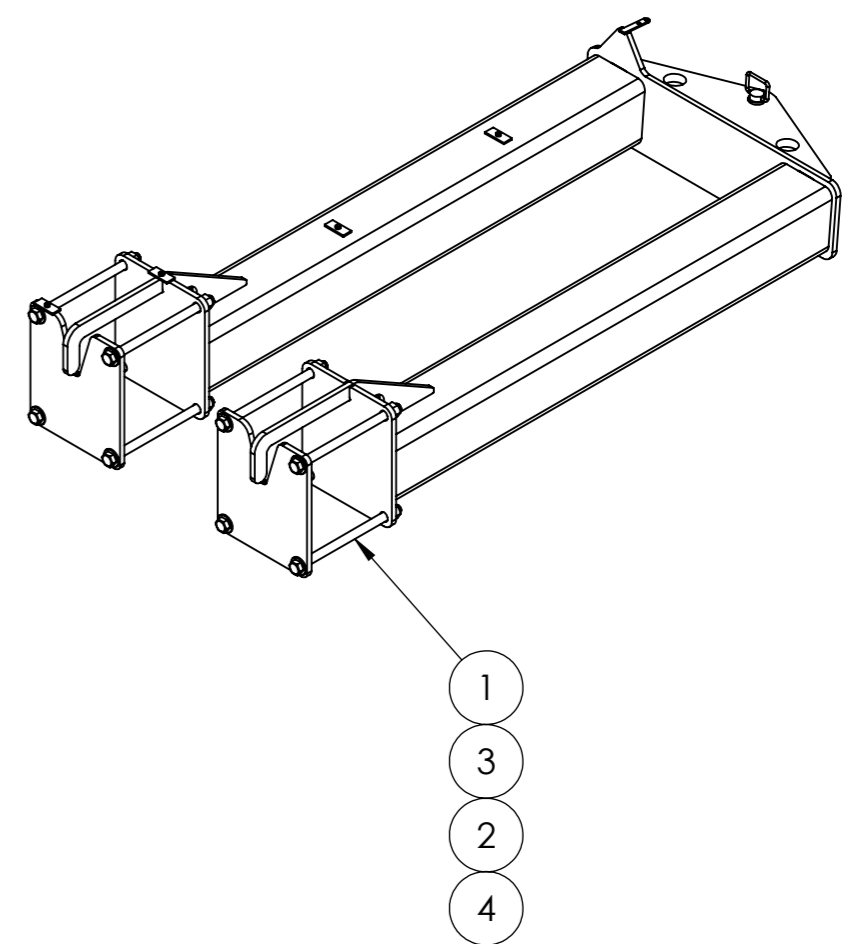
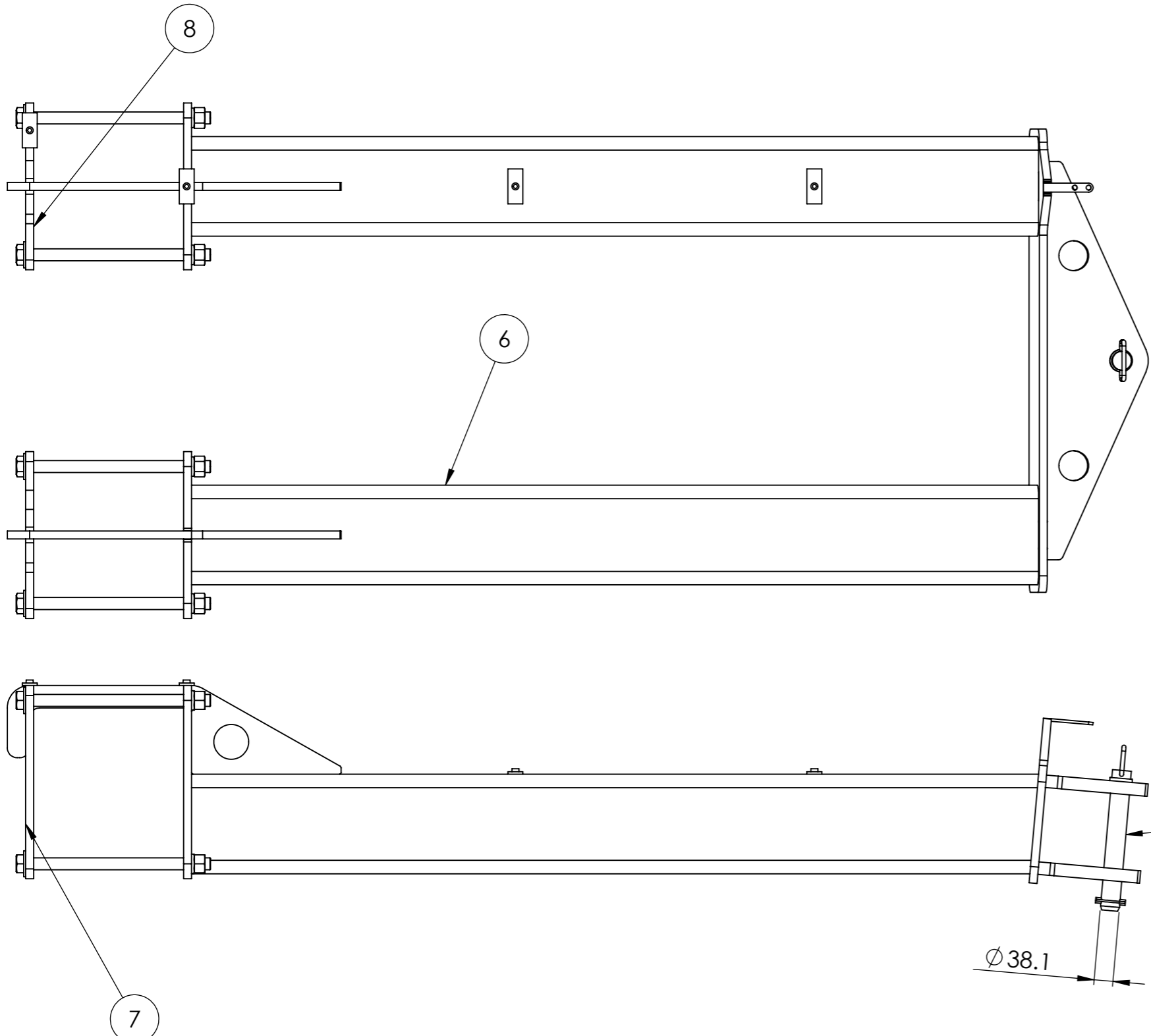
ALL WELD SYMBOLS CONFORM TO AS/NZ 1101.3-2005  
 ALL WELDING MUST CONFORM TO AS/NZ 1554.1 AND 1554.4

**AGROWFLOW**  
 COPYRIGHT RESERVED  
 THIS DRAWING IS THE PROPERTY AGROWFLOW PTY LTD, AND IS SUBJECT TO RETURN UPON DEMAND. IT IS SUBMITTED FOR USE ONLY IN CONNECTION WITH PROPOSALS OR CONTRACTS OF THIS ORGANISATION UPON THE EXPRESS CONDITION THAT IT IS NOT TO BE USED DIRECTLY OR INDIRECTLY IN ANY WAY DETRIMENTAL TO THE INTERESTES OF AGROWFLOW PTY LTD.

**AP102 HITCH WITH HYDRAULIC LEVEL LIFT**  
 LAST PRINTED 20/10/2022 TOTAL MASS 933.99 Kg

PART NUMBER SUPERSEDE  
**607-2010**  
 SHEET: 1 OF 1 PAGE: Page31

ITEM NO.	PART NUMBER	DESCRIPTION	Default/ QTY.
1	133-4162	M24 x 280 HEX BOLT ZINC GR8.8	8
2	134-4043	M24 HEX NUT GR 8.8	8
3	135-3023	FLAT WASHER M24	8
4	135-3042	SPRING WASHER M24	8
5	140-4104	PIN DRAWBAR 1 1/2" 185mm	1
6	607-3014	TOW HITCH REAR suit 200x200 Arm with HYD PLATE	1
7	607-4075	AP102 RTH MOUNTING PLATE	1
8	607-3017	AP102 RTH MOUNTING PLATE	1

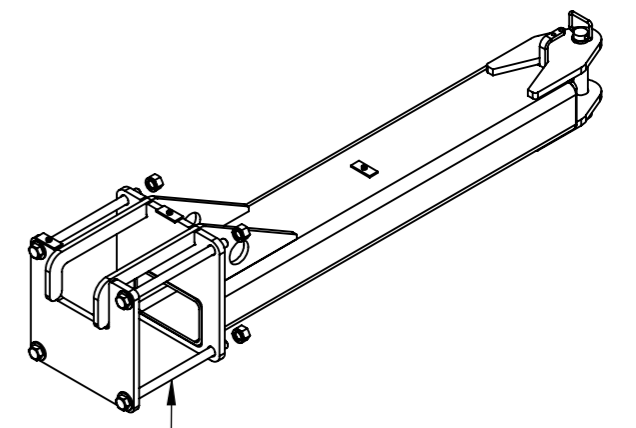
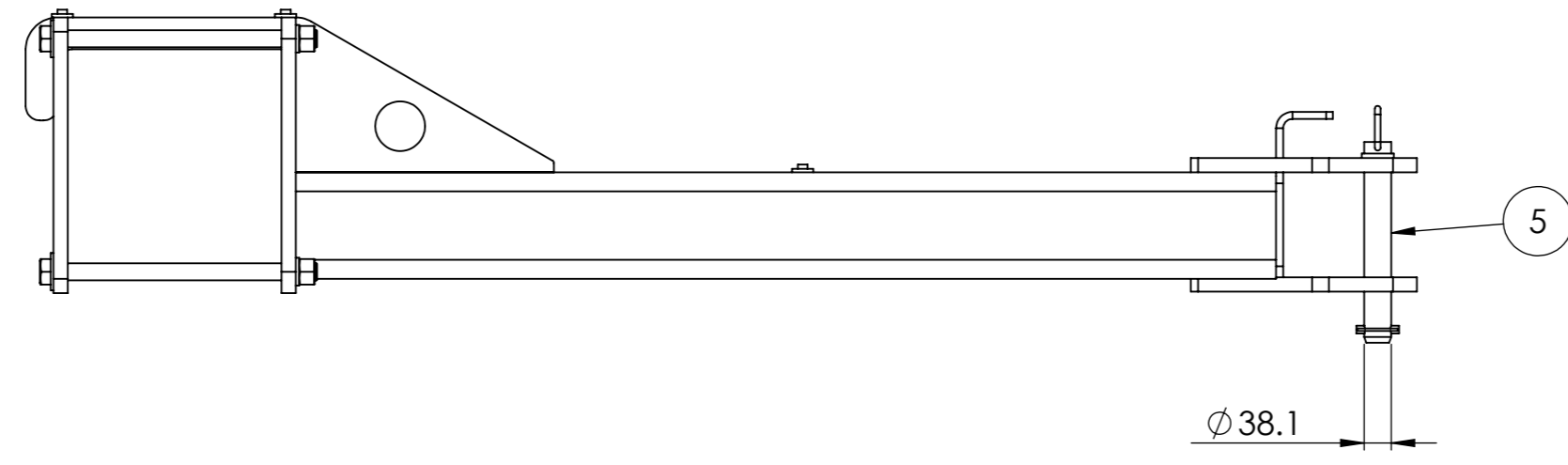
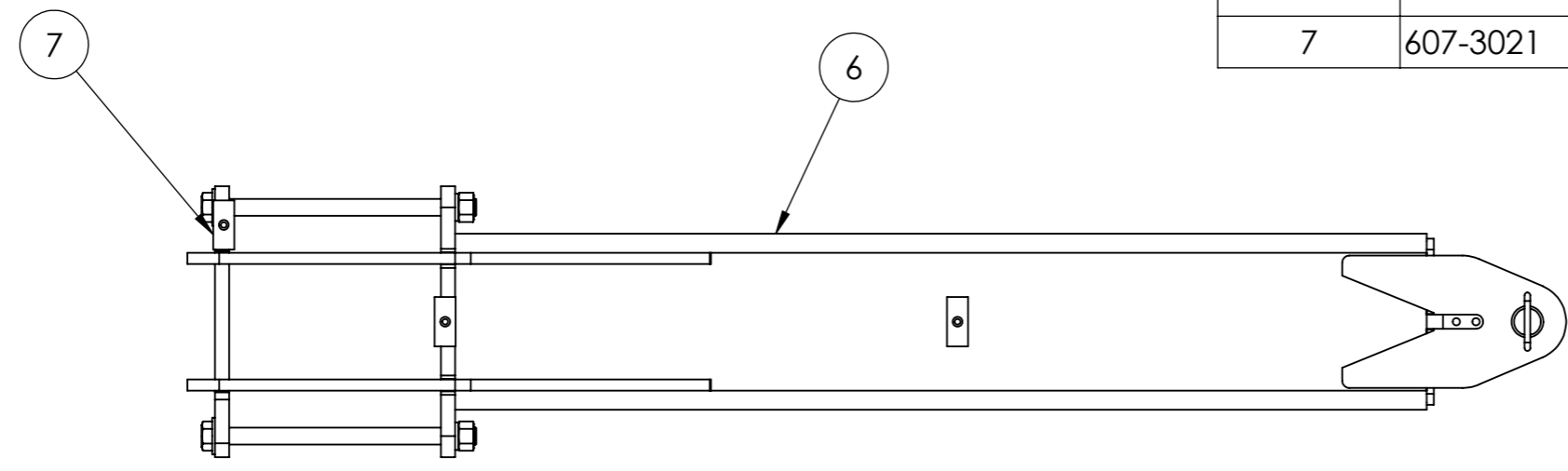


HYDRAULIC LINES AND FITTINGS SOLD SEPARATLY.

<p><b>AGROWFLOW</b></p> <p>COPYRIGHT RESERVED</p> <p>THIS DRAWING IS THE PROPERTY AGROWFLOW PTY LTD, AND IS SUBJECT TO RETURN UPON DEMAND. IT IS SUBMITTED FOR USE ONLY IN CONNECTION WITH PROPOSALS OR CONTRACTS OF THIS ORGANISATION UPON THE EXPRESS CONDITION THAT IT IS NOT TO BE USED DIRECTLY OR INDIRECTLY IN ANY WAY DETRIMENTAL TO THE INTERESTES OF AGROWFLOW PTY LTD.</p>	<p>TITLE: <b>REAR TOW HITCH suits 200x200 RHS with 1.1/2" PIN</b></p> <p>LAST PRINTED 20/10/2022</p>	<p>PART NUMBER <b>607-2015</b></p> <p>SHEET: 1 OF 1</p> <p>PAGE: Page32</p>
	<p>TOTAL MASS 324.03 Kg</p>	



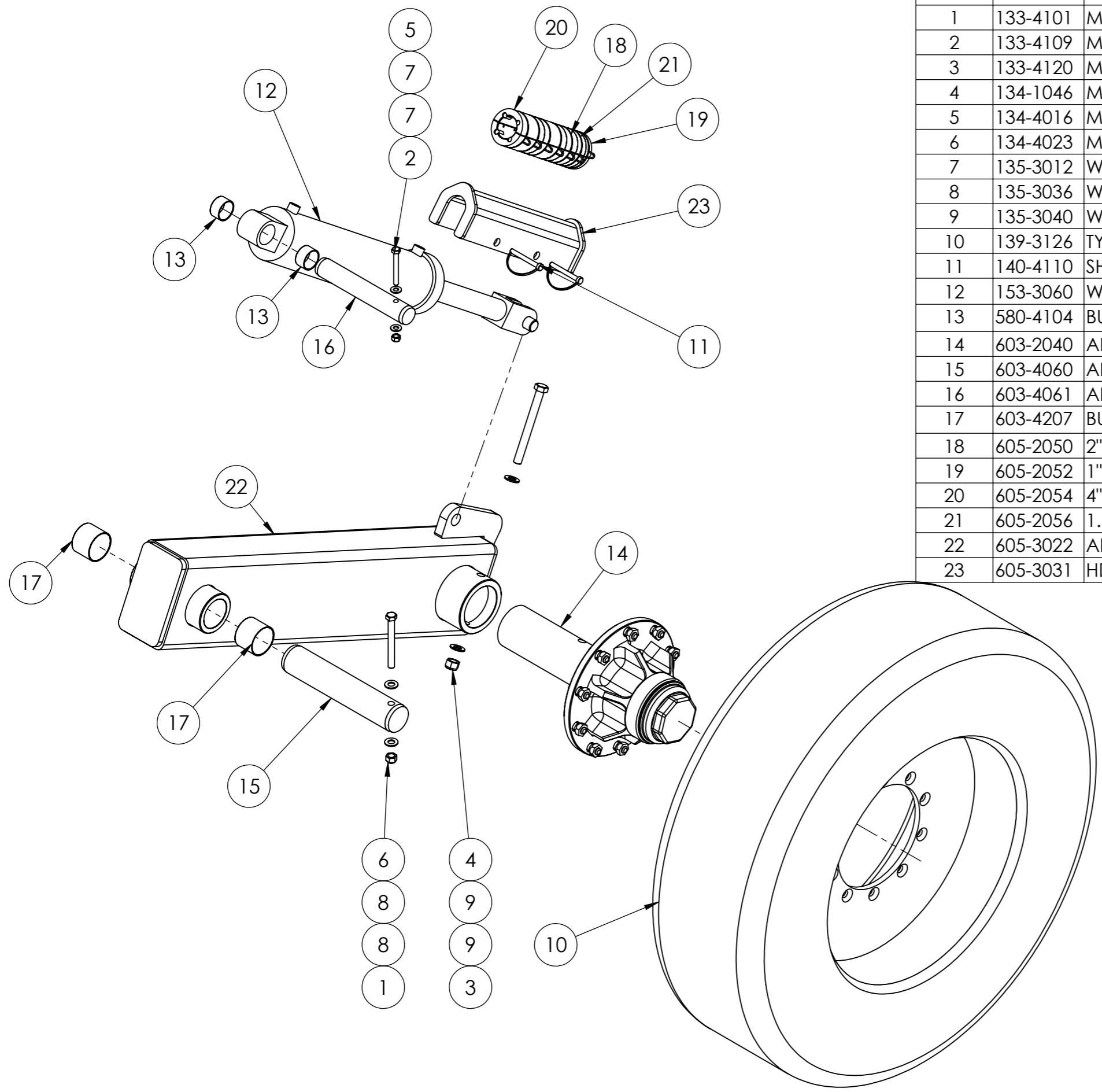
ITEM NO.	PART NUMBER	DESCRIPTION	QTY.
1	133-4162	M24 x 280 HEX BOLT ZINC GR8.8	4
2	134-4043	M24 HEX NUT GR 8.8	4
3	135-3023	FLAT WASHER M24	4
4	135-3042	SPRING WASHER M24	4
5	140-4104	PIN DRAWBAR 1 1/2" 185mm	1
6	607-3020	TOW HITCH REAR suit 200x200 Arm with HYD PLATE	1
7	607-3021	AP102 RTH MOUNTING PLATE	1



- 1
- 2
- 3
- 4

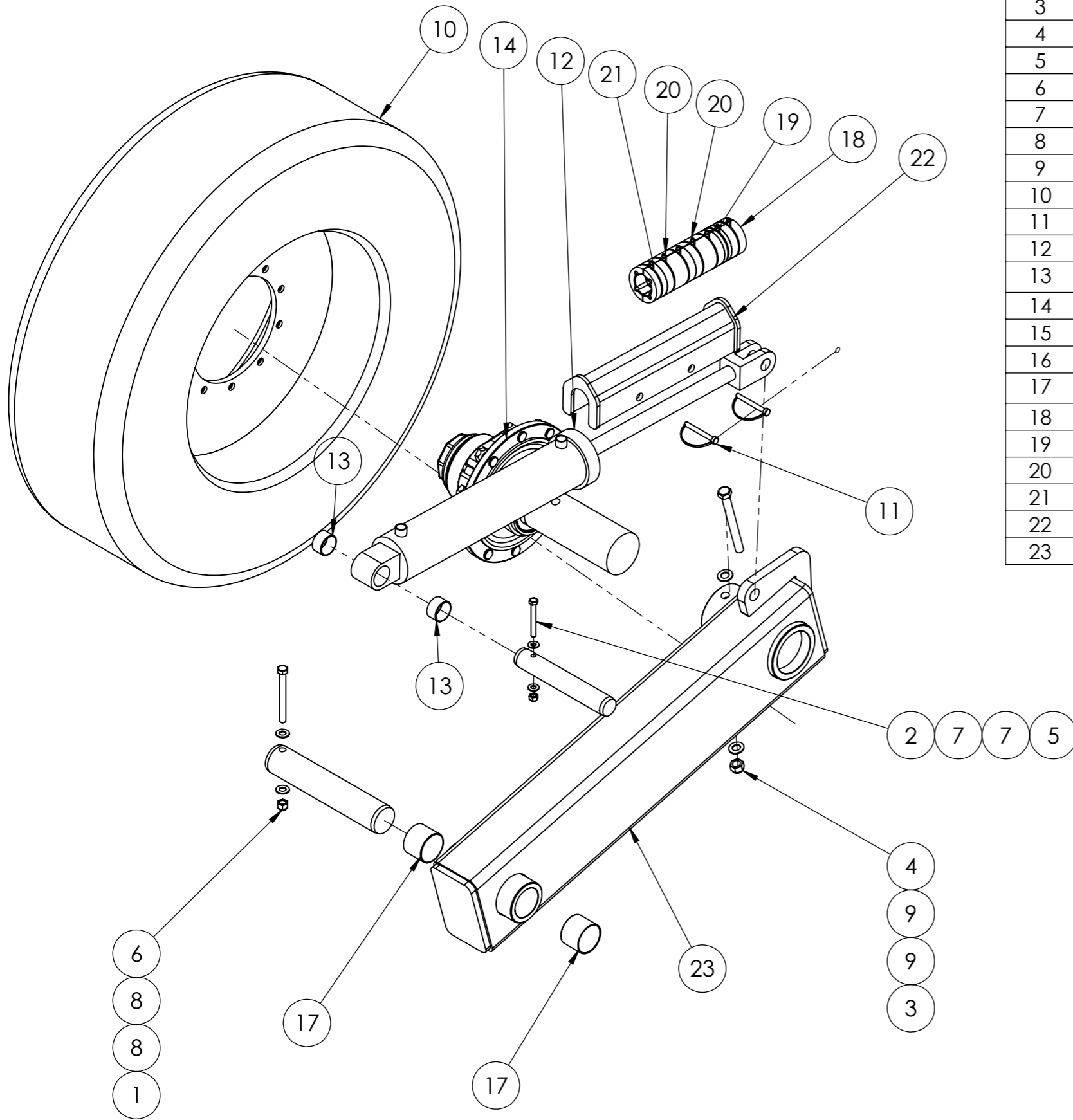
HYDRAULIC LINES AND FITTINGS SOLD SEPARATLY.

<b>AGROWFLOW</b>	TITLE: <b>REAR TOW HITCH suits 200x200 RHS with 1.1/2" PIN</b> LAST PRINTED 20/10/2022      TOTAL MASS 147.10 Kg	PART NUMBER <b>607-2020</b>	
<small>COPYRIGHT RESERVED          THIS DRAWING IS THE PROPERTY AGROWFLOW PTY LTD, AND IS SUBJECT TO RETURN UPON DEMAND. IT IS SUBMITTED FOR USE ONLY IN CONNECTION WITH PROPOSALS OR CONTRACTS OF THIS ORGANISATION UPON THE EXPRESS CONDITION THAT IT IS NOT TO BE USED DIRECTLY OR INDIRECTLY IN ANY WAY DETRIMENTAL TO THE INTERESTES OF AGROWFLOW PTY LTD.</small>			SHEET: 1 OF 1 PAGE: Page33



ITEM NO.	PART NUMBER	DESCRIPTION	QTY.
1	133-4101	M16 x 150 HEX BOLT ZINC GR8.8	1
2	133-4109	M12 x 100 HEX BOLT ZINC GR8.8	1
3	133-4120	M20 x 200 HEX BOLT ZINC GR8.8	1
4	134-1046	M20 HEX NYLOCK NUT ZINC GR 8.8	1
5	134-4016	M12 HEX NYLOCK NUT ZINC PLATED GR 8.8	1
6	134-4023	M16 HEX NYLOCK NUT ZINC PLATED GR 8.8	1
7	135-3012	WASHER FLAT M12	2
8	135-3036	WASHER FLAT M16	2
9	135-3040	WASHER FLAT M20	2
10	139-3126	TYRE 15.5/80-24 (16) 163A8/169A6 GRIP STAR	1
11	140-4110	SHAFT LOCKING PIN 12x80mm	2
12	153-3060	WHEEL LIFT, CENTRE FRAME, 5x20" 00X-10235	1
13	580-4104	BUSH SLEEVE PLASTIC ID50 OD55 Length 30	2
14	603-2040	AP91 AXLE AND STUB ASSEMBLY	1
15	603-4060	AP91 WHEEL ARM PIN	1
16	603-4061	AP91 WHEEL CYLINDER PIN	1
17	603-4207	BUSH SLEEVE PLASTIC ID75 OD80 Length 60	2
18	605-2050	2" STROKE CONTROLLER FOR 55 DIA CYLINDER ASSEMBLY	1
19	605-2052	1" STROKE CONTROLLER FOR 55 DIA CYLINDER ASSEMBLY	1
20	605-2054	4" STROKE CONTROLLER FOR 55 DIA CYLINDER ASSEMBLY	2
21	605-2056	1.5" STROKE CONTROLLER FOR 55 DIA CYLINDER ASSEMBLY	1
22	605-3022	AP92 LH AXLE WELDED ASSEMBLY	1
23	605-3031	HD WHEEL RAM STOP	1

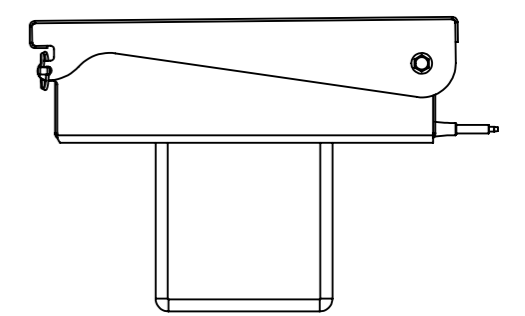
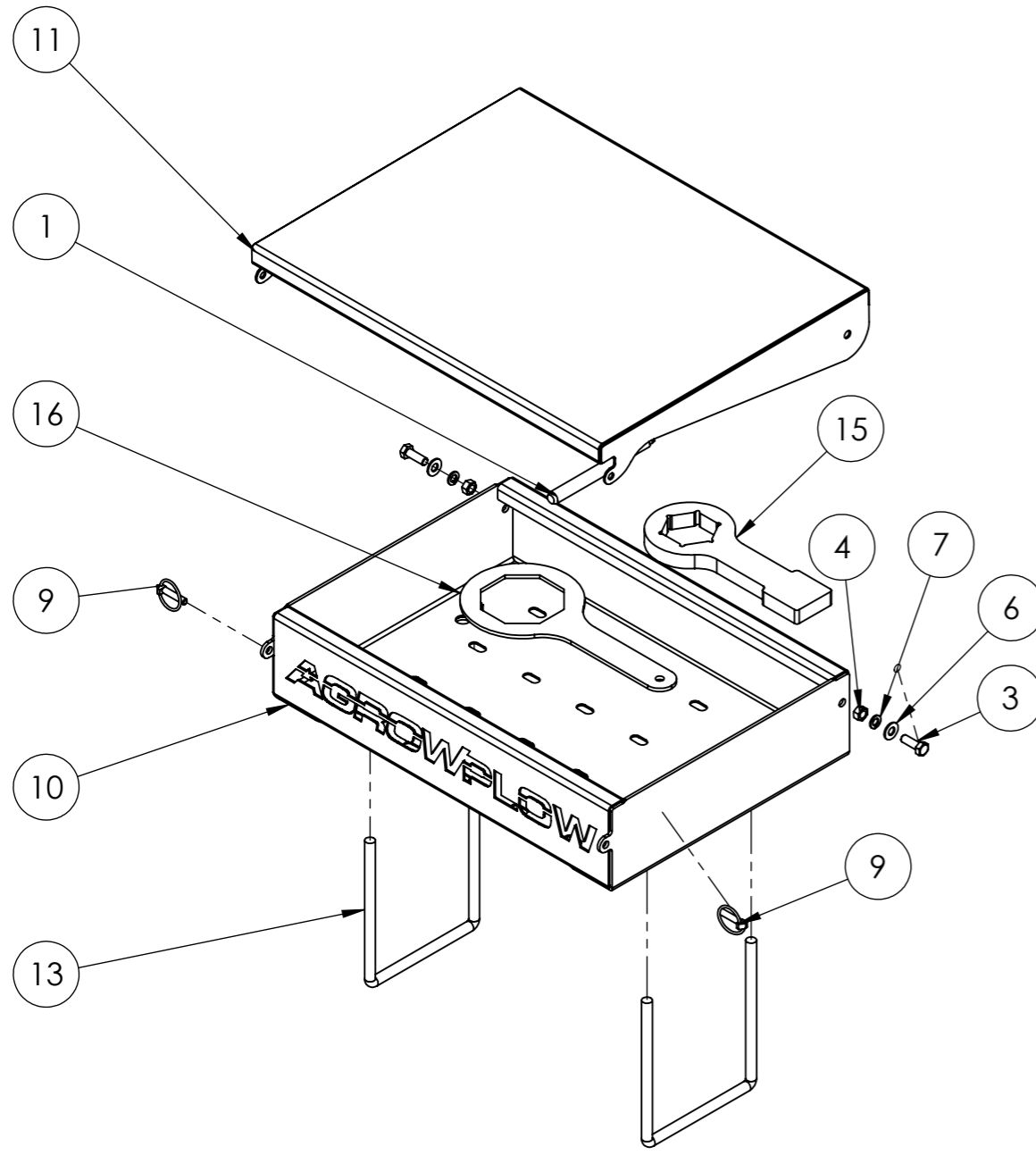
<b>AGROWFLOW</b> <small>COPYRIGHT RESERVED          THIS DRAWING IS THE PROPERTY AGROWFLOW PTY LTD, AND IS SUBJECT TO RETURN UPON DEMAND. IT IS SUBMITTED FOR USE ONLY IN CONNECTION WITH PROPOSALS OR CONTRACTS OF THIS ORGANISATION UPON THE EXPRESS CONDITION THAT IT IS NOT TO BE USED DIRECTLY OR INDIRECTLY IN ANY WAY DETRIMENTAL TO THE INTERESTES OF AGROWFLOW PTY LTD.</small>	TITLE: <b>AP102 WHEEL LH ASSEMBLY</b>	PART NUMBER <b>607-2014</b>
	20/10/2022	



ITEM NO.	PART NUMBER	DESCRIPTION	Default/ QTY.
1	133-4101	M16 x 150 HEX BOLT ZINC GR8.8	1
2	133-4109	M12 x 100 HEX BOLT ZINC GR8.8	1
3	133-4120	M20 x 200 HEX BOLT ZINC GR8.8	1
4	134-1046	M20 HEX NYLOCK NUT ZINC GR 8.8	1
5	134-4016	M12 HEX NYLOCK NUT ZINC PLATED GR 8.8	1
6	134-4023	M16 HEX NYLOCK NUT ZINC PLATED GR 8.8	1
7	135-3012	WASHER FLAT M12	2
8	135-3036	WASHER FLAT M16	2
9	135-3040	WASHER FLAT M20	2
10	139-3126	TYRE 15.5/80-24 (16) 163A8/169A6 GRIP STAR	1
11	140-4110	SHAFT LOCKING PIN 12x80mm	2
12	153-3061	4.5" BORE, 1.5" ROD, 20" STROKE, PHASING CYLINDER	1
13	580-4104	BUSH SLEEVE PLASTIC ID50 OD55 Length 30	2
14	603-2040	AP91 AXLE AND STUB ASSEMBLY	1
15	603-4060	AP91 WHEEL ARM PIN	1
16	603-4061	AP91 WHEEL CYLINDER PIN	1
17	603-4207	BUSH SLEEVE PLASTIC ID75 OD80 Length 60	2
18	605-2050	2" STROKE CONTROLLER FOR 55 DIA CYLINDER ASSEMBLY	1
19	605-2052	1" STROKE CONTROLLER FOR 55 DIA CYLINDER ASSEMBLY	1
20	605-2054	4" STROKE CONTROLLER FOR 55 DIA CYLINDER ASSEMBLY	2
21	605-2056	1.5" STROKE CONTROLLER FOR 55 DIA CYLINDER ASSEMBLY	1
22	605-3031	HD WHEEL RAM STOP	1
23	607-3040	AP91 MIDDLE SECTION RH AXLE WELDED ASSEMBLY	1

<b>AGROWFLOW</b> COPYRIGHT RESERVED THIS DRAWING IS THE PROPERTY AGROWFLOW PTY LTD, AND IS SUBJECT TO RETURN UPON DEMAND. IT IS SUBMITTED FOR USE ONLY IN CONNECTION WITH PROPOSALS OR CONTRACTS OF THIS ORGANISATION UPON THE EXPRESS CONDITION THAT IT IS NOT TO BE USED DIRECTLY OR INDIRECTLY IN ANY WAY DETRIMENTAL TO THE INTERESTES OF AGROWFLOW PTY LTD.	TITLE: <b>AP102 WHEEL ARM RH</b>	PART NUMBER <b>607-2013</b>
	20/10/2022	SHEET: PAGE: 1 OF 1 Page35

ITEM NO.	PART NUMBER	DESCRIPTION	QTY.
1	022-4030	PUNCH TO SUIT 12mm ROLL PIN & #9 BLADE	2
2	027-4020	39.8 SHEAR PIN FOR HD SHANK	8
3	133-1050	M12 x 35 HEX BOLT ZINC GR8.8	2
4	134-4017	M12 HEX NUT ZINC PLATED GR 8.8	2
5	134-4023	M16 HEX NYLOCK NUT ZINC PLATED GR 8.8	4
6	135-3012	WASHER FLAT M12	2
7	135-3038	SPRING WASHER M12	2
8	136-1027	CIRCLIP 60mm EXT	16
9	140-0039	LINCH PIN 11mm 32mm	2
10	600-3005	TOOLBOX BODY	1
11	600-3002	TOOLBOX LID	1
12	600-4015	PAINT SPRAY CAN	1
13	603-4208	U BOLT M16 x 200 ZINC PLATED	2
14	603-3056	HYD CYLINDER CHOCK, suits 55mm BAR, 150mm OFFSET	5
15	027-4045	SPANNER FOR AP102 SHANK	1
16	603-4100		1



<b>AGROWFLOW</b>	TITLE: <b>TOOLBOX ASSEMBLY</b>	PART NUMBER <b>607-2017</b>
<small>COPYRIGHT RESERVED THIS DRAWING IS THE PROPERTY AGROWFLOW PTY LTD, AND IS SUBJECT TO RETURN UPON DEMAND. IT IS SUBMITTED FOR USE ONLY IN CONNECTION WITH PROPOSALS OR CONTRACTS OF THIS ORGANISATION UPON THE EXPRESS CONDITION THAT IT IS NOT TO BE USED DIRECTLY OR INDIRECTLY IN ANY WAY DETRIMENTAL TO THE INTERESTES OF AGROWFLOW PTY LTD.</small>		SHEET: PAGE: 1 OF 1 Page36
	20/10/2022	

1

2

3

4

5

6

A

A

B

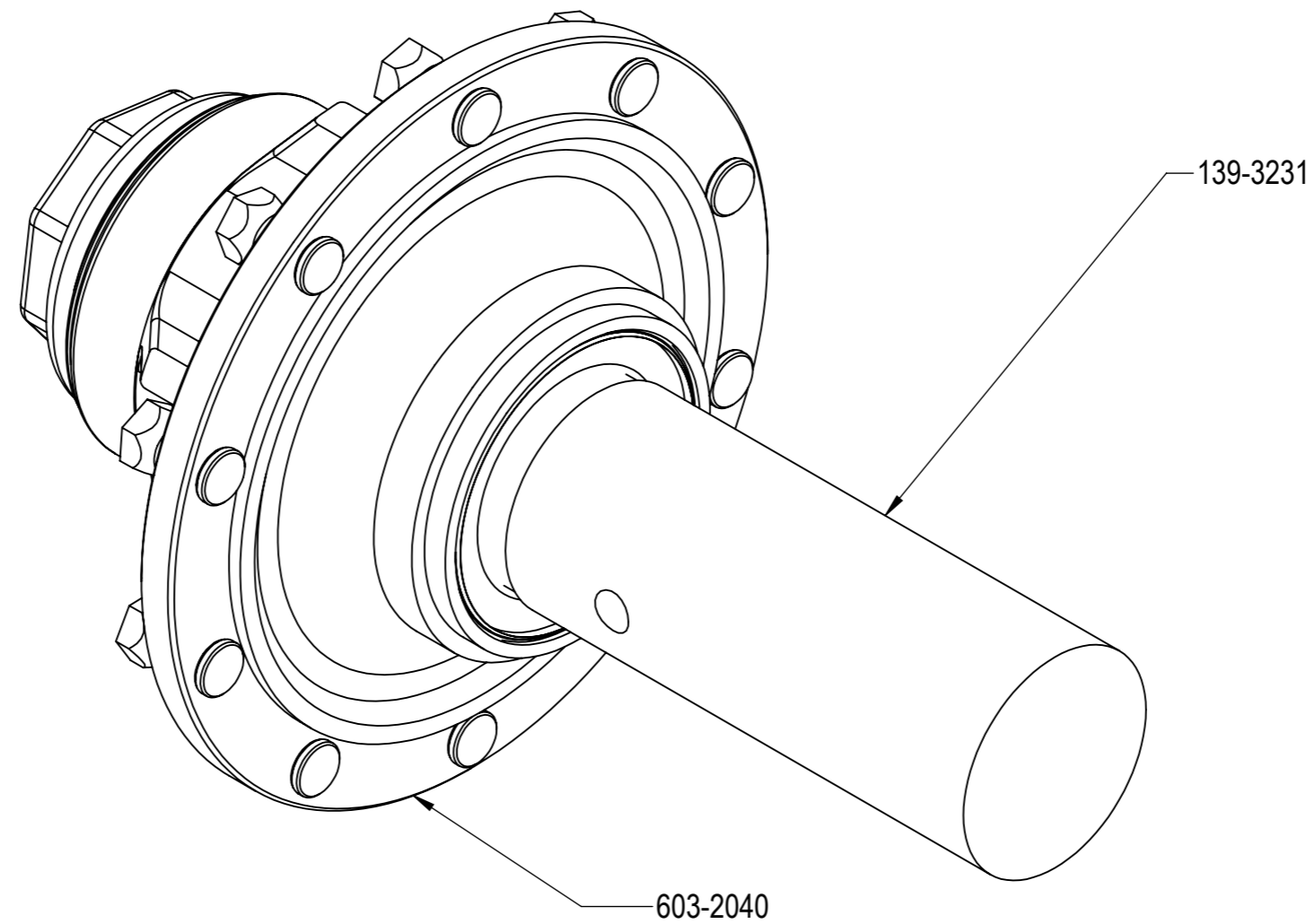
B

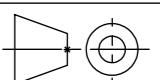
C

C

D

D



<p align="center"><b>AGROWFLOW</b></p>	<p>TITLE: <b>AP91 AXEL AND STUB ASSEMBLY</b></p>	<p>PART NUMBER <b>603-2040</b></p>
<p><small>COPYRIGHT RESERVED THIS DRAWING IS THE PROPERTY AGROWFLOW PTY LTD, AND IS SUBJECT TO RETURN UPON DEMAND. IT IS SUBMITTED FOR USE ONLY IN CONNECTION WITH PROPOSALS OR CONTRACTS OF THIS ORGANISATION UPON THE EXSPRESS CONDITION THAT IT IS NOT TO BE USED DIRECTLY OR INDIRECTLY IN ANY WAY DETRIMENTAL TO THE INTERESTES OF AGROWFLOW PTY LTD.</small></p>	<p align="right">20/10/2022</p>	<p align="center">  </p> <p>SHEET: 1 OF 1    PAGE: Page37</p>

1

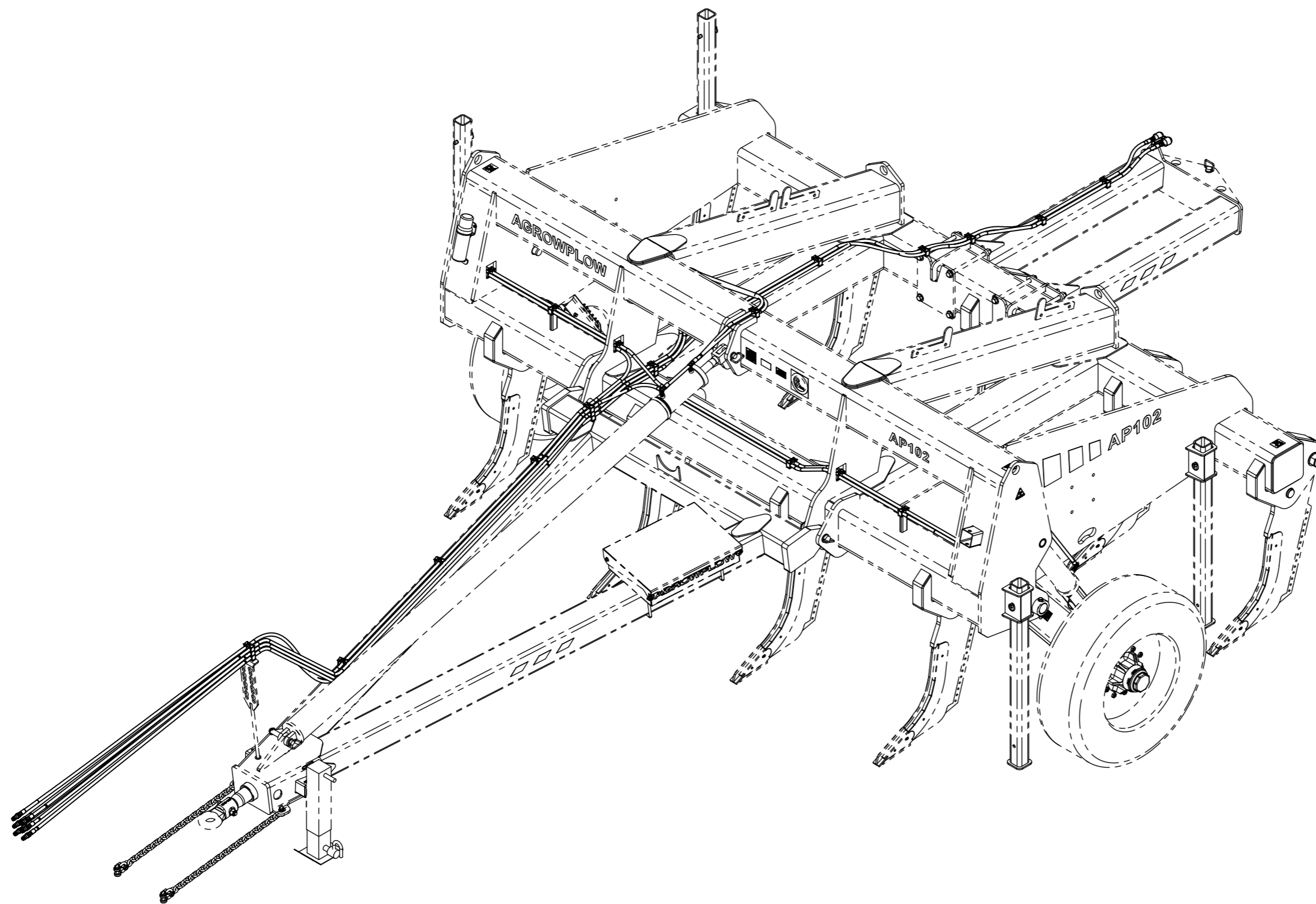
2

3

4

5

6



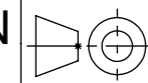
**AGROWPLOW**

COPYRIGHT RESERVED  
 THIS DRAWING IS THE PROPERTY AGROWPLOW PTY LTD, AND IS SUBJECT TO RETURN UPON DEMAND. IT IS SUBMITTED FOR USE ONLY IN CONNECTION WITH PROPOSALS OR CONTRACTS OF THIS ORGANISATION UPON THE EXPRESS CONDITION THAT IT IS NOT TO BE USED DIRECTLY OR INDIRECTLY IN ANY WAY DETRIMENTAL TO THE INTERESTES OF AGROWPLOW PTY LTD.

**AP102 x 9 SHANK 6m  
 WORKING WITH  
 HYDRAULIC INSTALLATION**

LAST PRINTED 20/10/2022 TOTAL MASS 32.24 Kg

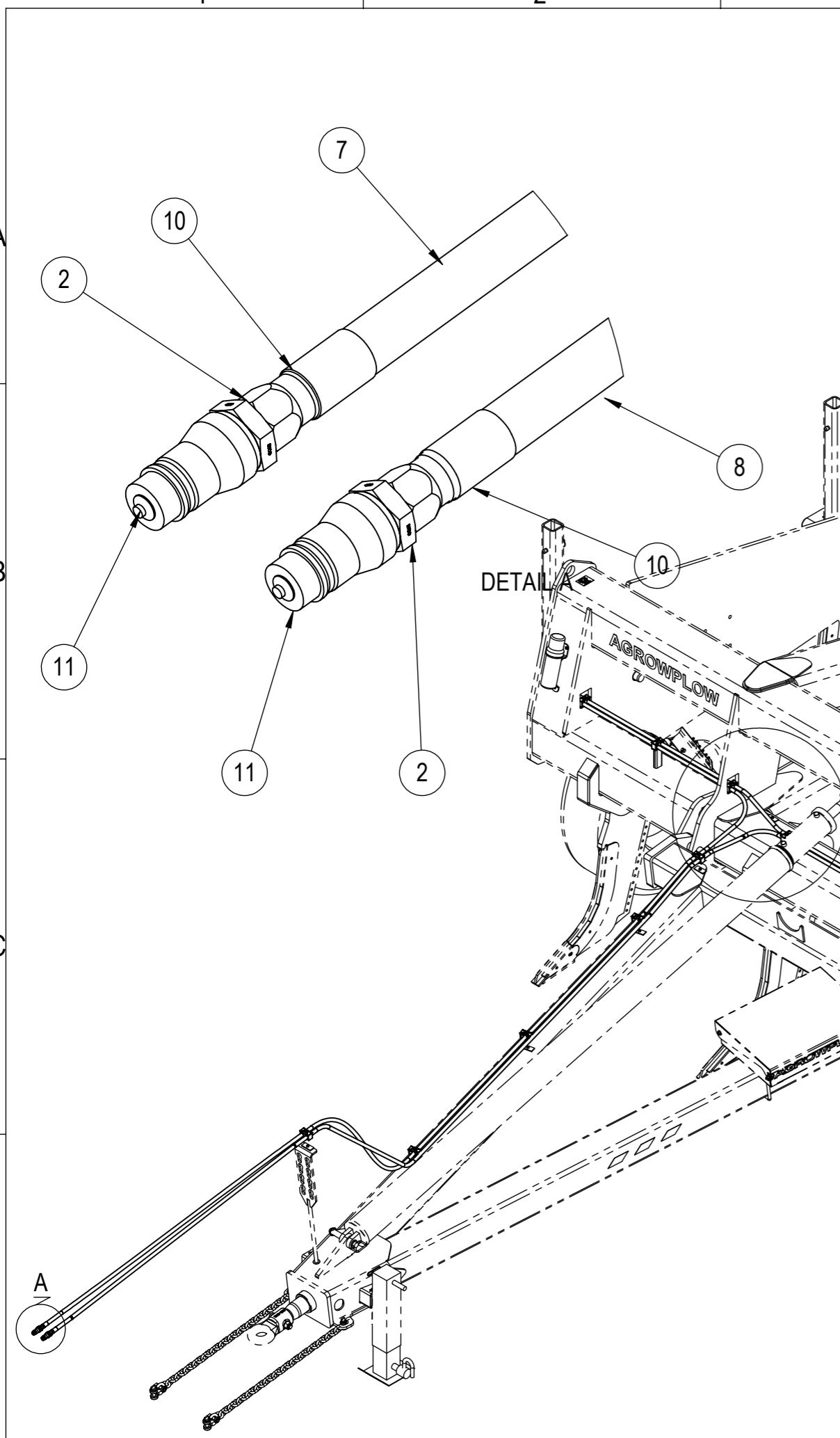
PART NUMBER SUPERSEDE  
**607-5001**



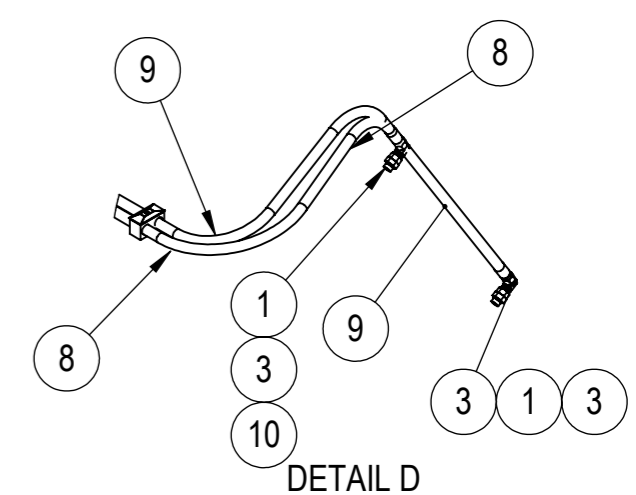
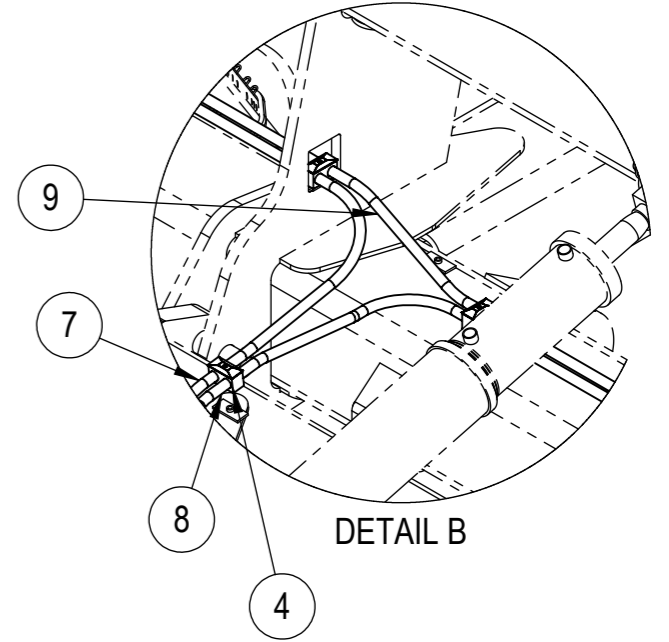
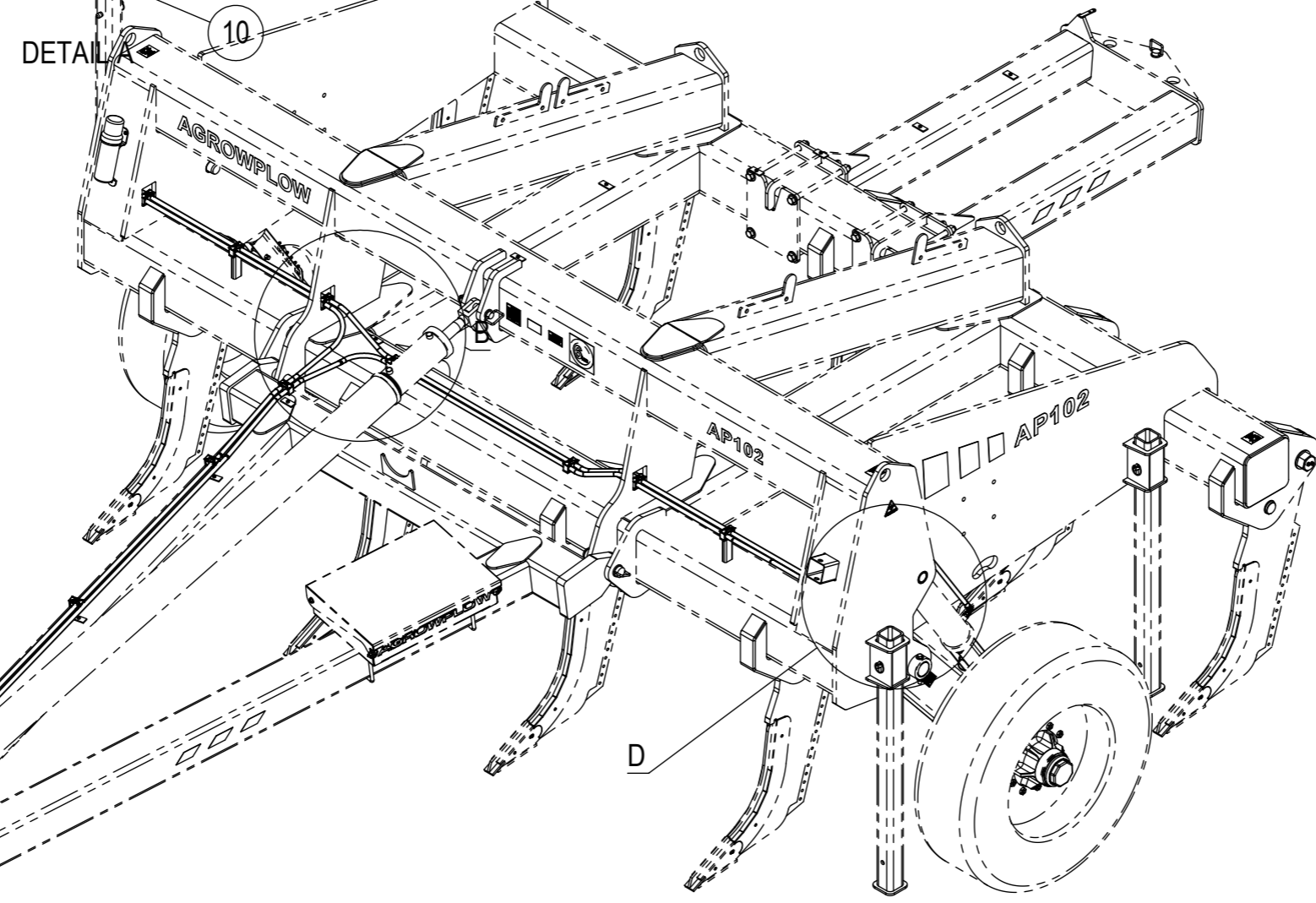
SHEET: PAGE:  
 1 OF 5 Page38

ITEM NO.	PART NUMBER	DESCRIPTION	Length	End 1	End 2	QTY.
1	154-0019	HYD ADAPTOR 3/4" UNO TO 3/4" JIC				6
2	154-3743	HYD COUPLING KIT				1
3	154-3744	PIONEER FEMALE COUPLING (1/2" N.P.T. thread)				2
4	154-4072	HYDRAULIC FITTING ADAPTOR 1/2" TO 3/4" BSPP/JIC				6
5	154-4077	HYD ELBOW 3/4" JIC MALE, 3/4" JIC FEMALE SWIVEL				6
6	154-4103	DIA 22 HYD 3D CLAMP				33
7	154-4167	HYD CLAMP LID 3D				22
8	154-4196	HYD CLAMP BOLT 3D M8x45				3
9	154-4322	HYDRAULIC HOSE, 1/2" DUAL WEAVE	9769.33mm	TRACTOR	RH WHEEL ROD END PORT	1
10	154-4322	HYDRAULIC HOSE, 1/2" DUAL WEAVE	11700.75mm	TRACTOR	RTH	1
11	154-4322	HYDRAULIC HOSE, 1/2" DUAL WEAVE	11651.51mm	TRACTOR	RTH	1
12	154-4322	HYDRAULIC HOSE, 1/2" DUAL WEAVE	10664.07mm	TRACTOR	LH WHEEL CAP END PORT	1
13	154-4322	HYDRAULIC HOSE, 1/2" DUAL WEAVE	6547.52mm	LH WHEEL CAP END PORT	RH WHEEL ROD END PORT	1
14	154-4322	HYDRAULIC HOSE, 1/2" DUAL WEAVE	9407.87mm	TRACTOR	LEVEL LIFT ROD END PORT	1
15	154-4322	HYDRAULIC HOSE, 1/2" DUAL WEAVE	9650.91mm	TRACTOR	LEVEL LIFT CAP END PORT	1
16	154-4342	1/2" BSPT MALE x 3/4 JIC MALE NIPPLE S7-0812				2
17	154-4503	SWAGE AND FURREL 1/2" HOSE TO 3/4" JIC				14
18	202-0103	NIPPLE MALE 1/2" BSP FEMALE BP8010-29P				6

<b>AGROWFLOW</b> <small>COPYRIGHT RESERVED</small> <small>THIS DRAWING IS THE PROPERTY AGROWFLOW PTY LTD, AND IS SUBJECT TO RETURN UPON DEMAND. IT IS SUBMITTED FOR USE ONLY IN CONNECTION WITH PROPOSALS OR CONTRACTS OF THIS ORGANISATION UPON THE EXSPRESS CONDITION THAT IT IS NOT TO BE USED DIRECTLY OR INDIRECTLY IN ANY WAY DETRIMENTAL TO THE INTERESTES OF AGROWFLOW PTY LTD.</small>	<b>AP102 x 9 SHANK 6m</b> <b>WORKING WITH</b> <b>HYDRAULIC INSTALLATION</b>	<b>PART NUMBER</b> <b>607-5001</b>
	<small>LAST PRINTED 20/10/2022</small>	



ITEM NO.	PART NUMBER	DESCRIPTION	Length	End 1	End 2	QTY.
1	154-0019	HYD ADAPTOR 3/4" UNO TO 3/4" JIC				4
2	154-4072	HYDRAULIC FITTING ADAPTOR 1/2" TO 3/4" BSPP/JIC				2
3	154-4077	HYD ELBOW 3/4" JIC MALE, 3/4" JIC FEMALE SWIVEL				4
4	154-4103	DIA 22 HYD 3D CLAMP				13
5	154-4167	HYD CLAMP LID 3D				13
6	154-4196	HYD CLAMP BOLT 3D M8x45				3
7	154-4322	HYDRAULIC HOSE, 1/2" DUAL WEAVE	9769.33mm	TRACTOR	RH WHEEL ROD END PORT	1
8	154-4322	HYDRAULIC HOSE, 1/2" DUAL WEAVE	10664.07mm	TRACTOR	LH WHEEL CAP END PORT	1
9	154-4322	HYDRAULIC HOSE, 1/2" DUAL WEAVE	6547.52mm	LH WHEEL CAP END PORT	RH WHEEL ROD END PORT	1
10	154-4502	SWAGE AND FURREL 3/8" HOSE TO 3/4" JIC				6
11	202-0103	NIPPLE MALE 1/2" BSP FEMALE BP8010-29P				2



HYDRAULIC HOSE WHEELS

**AGROWFLOW**  
 COPYRIGHT RESERVED  
 THIS DRAWING IS THE PROPERTY AGROWFLOW PTY LTD, AND IS SUBJECT TO RETURN UPON DEMAND. IT IS SUBMITTED FOR USE ONLY IN CONNECTION WITH PROPOSALS OR CONTRACTS OF THIS ORGANISATION UPON THE EXPRESS CONDITION THAT IT IS NOT TO BE USED DIRECTLY OR INDIRECTLY IN ANY WAY DETRIMENTAL TO THE INTERESTS OF AGROWFLOW PTY LTD.

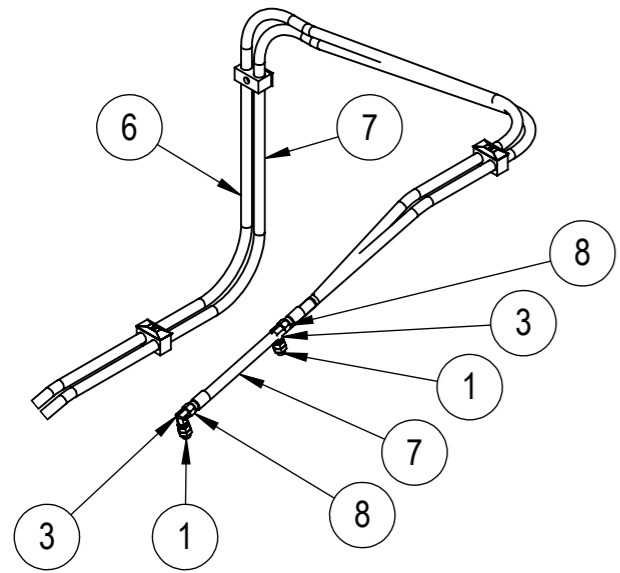
**AP102 x 9 SHANK 6m  
 WORKING WITH  
 HYDRAULIC INSTALLATION**

PART NUMBER  
**607-5001**  
 SHEET: 3 OF 5  
 PAGE: Page40

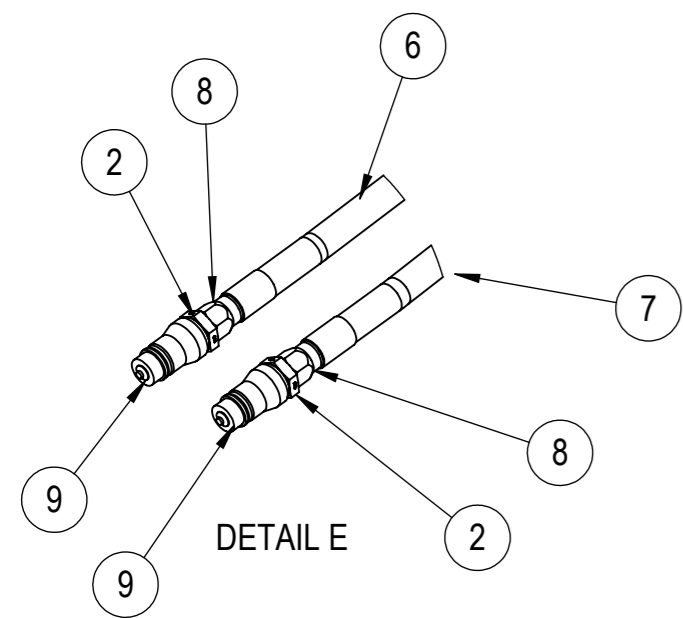
LAST PRINTED 20/10/2022



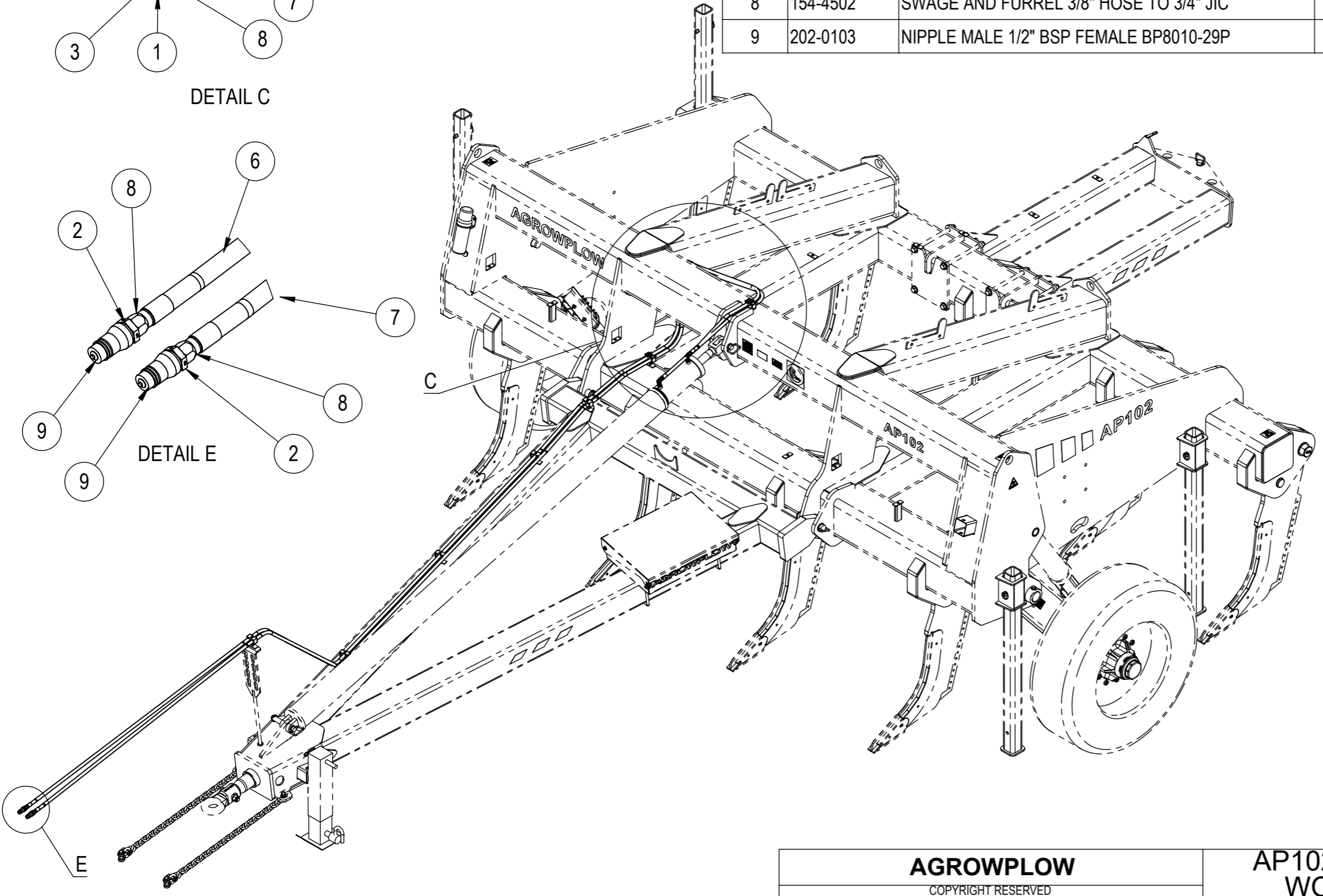
ITEM NO.	PART NUMBER	DESCRIPTION	Length	End 1	End 2	QTY.
1	154-0019	HYD ADAPTOR 3/4" UNO TO 3/4" JIC				2
2	154-4072	HYDRAULIC FITTING ADAPTOR 1/2" TO 3/4" BSPP/JIC				2
3	154-4077	HYD ELBOW 3/4" JIC MALE, 3/4" JIC FEMALE SWIVEL				2
4	154-4103	DIA 22 HYD 3D CLAMP				8
5	154-4167	HYD CLAMP LID 3D				3
6	154-4322	HYDRAULIC HOSE, 1/2" DUAL WEAVE	9407.87mm	TRACTOR	LEVEL LIFT ROD END PORT	1
7	154-4322	HYDRAULIC HOSE, 1/2" DUAL WEAVE	9650.91mm	TRACTOR	LEVEL LIFT CAP END PORT	1
8	154-4502	SWAGE AND FURREL 3/8" HOSE TO 3/4" JIC				4
9	202-0103	NIPPLE MALE 1/2" BSP FEMALE BP8010-29P				2



DETAIL C



DETAIL E



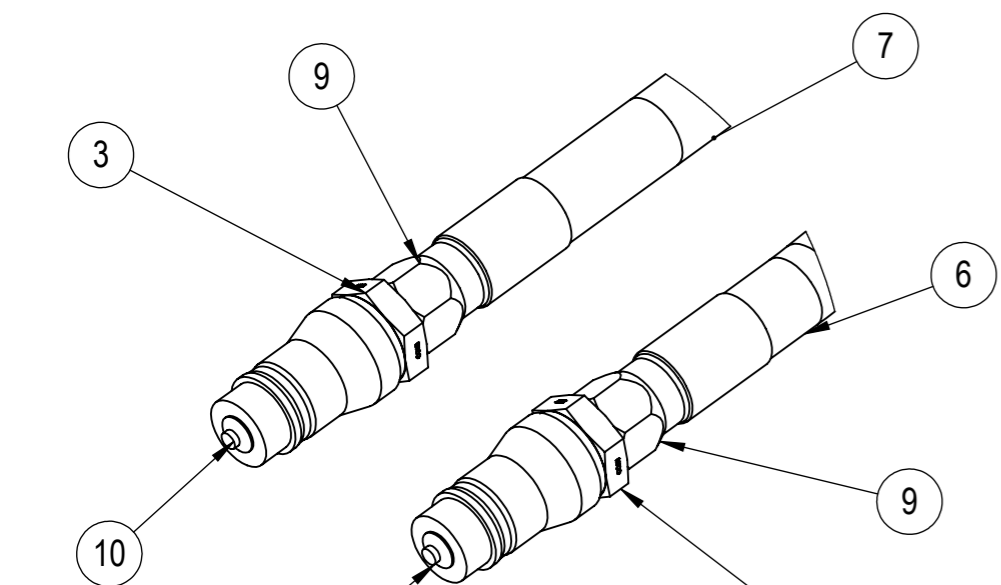
HYDRAULIC HOSE LEVEL LIFT

**AGROWFLOW**  
 COPYRIGHT RESERVED  
 THIS DRAWING IS THE PROPERTY AGROWFLOW PTY LTD, AND IS SUBJECT TO RETURN UPON DEMAND. IT IS SUBMITTED FOR USE ONLY IN CONNECTION WITH PROPOSALS OR CONTRACTS OF THIS ORGANISATION UPON THE EXPRESS CONDITION THAT IT IS NOT TO BE USED DIRECTLY OR INDIRECTLY IN ANY WAY DETRIMENTAL TO THE INTERESTES OF AGROWFLOW PTY LTD.

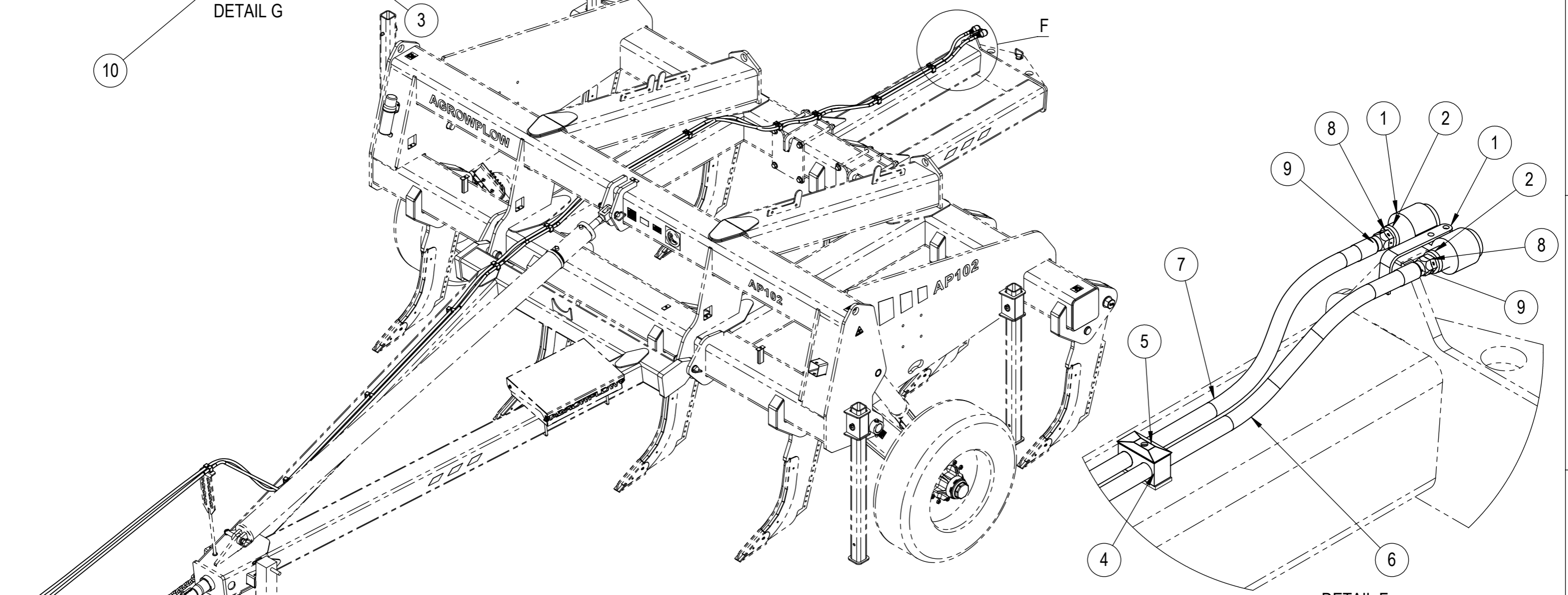
**AP102 x 9 SHANK 6m  
 WORKING WITH  
 HYDRAULIC INSTALLATION**  
 LAST PRINTED 20/10/2022

PART NUMBER  
**607-5001**  
 SHEET: 4 OF 5 PAGE: Page41

ITEM NO.	PART NUMBER	DESCRIPTION	Length	End 1	End 2	QTY.
1	154-3743	HYD COUPLING KIT				1
2	154-3744	PIONEER FEMALE COUPLING (1/2" N.P.T. thread)				2
3	154-4072	HYDRAULIC FITTING ADAPTOR 1/2" TO 3/4" BSPP/JIC				2
4	154-4103	DIA 22 HYD 3D CLAMP				12
5	154-4167	HYD CLAMP LID 3D				6
6	154-4322	HYDRAULIC HOSE, 1/2" DUAL WEAVE	11700.75mm	TRACTOR	RTH	1
7	154-4322	HYDRAULIC HOSE, 1/2" DUAL WEAVE	11651.51mm	TRACTOR	RTH	1
8	154-4342	1/2" BSPT MALE x 3/4 JIC MALE NIPPLE S7-0812				2
9	154-4502	SWAGE AND FURREL 3/8" HOSE TO 3/4" JIC				4
10	202-0103	NIPPLE MALE 1/2" BSP FEMALE BP8010-29P				2



DETAIL G



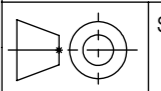
DETAIL F

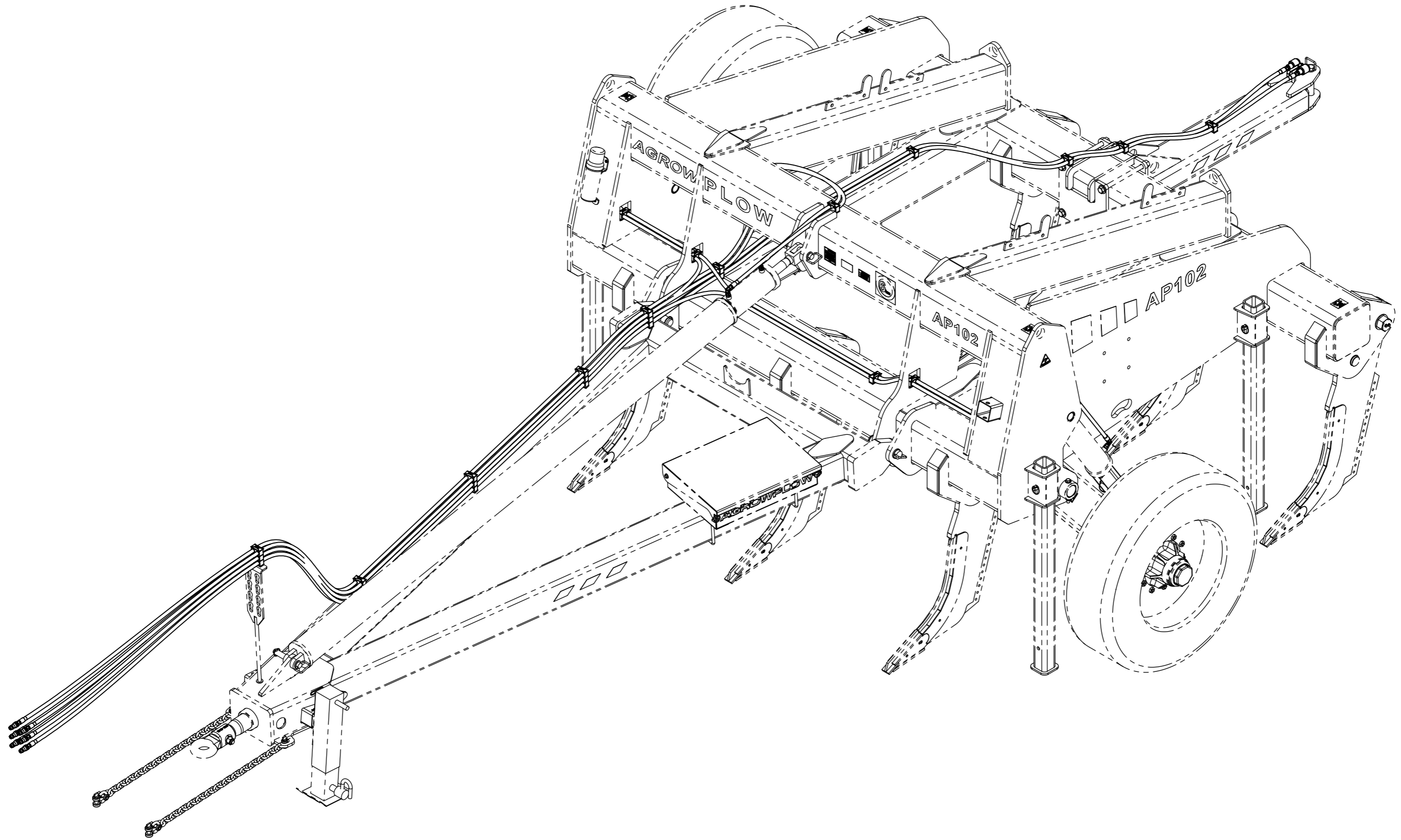
HYDRAULIC HOSE RTH

**AGROWFLOW**  
 COPYRIGHT RESERVED  
 THIS DRAWING IS THE PROPERTY AGROWFLOW PTY LTD, AND IS SUBJECT TO RETURN UPON DEMAND. IT IS SUBMITTED FOR USE ONLY IN CONNECTION WITH PROPOSALS OR CONTRACTS OF THIS ORGANISATION UPON THE EXPRESS CONDITION THAT IT IS NOT TO BE USED DIRECTLY OR INDIRECTLY IN ANY WAY DETRIMENTAL TO THE INTERESTS OF AGROWFLOW PTY LTD.

**AP102 x 9 SHANK 6m  
 WORKING WITH  
 HYDRAULIC INSTALLATION**  
 LAST PRINTED 20/10/2022

PART NUMBER  
**607-5001**  
 SHEET: 5 OF 5 PAGE: Page42





**AGROWFLOW**

COPYRIGHT RESERVED  
 THIS DRAWING IS THE PROPERTY AGROWFLOW PTY LTD, AND IS SUBJECT TO RETURN  
 UPON DEMAND. IT IS SUBMITTED FOR USE ONLY IN CONNECTION WITH PROPOSALS OR  
 CONTRACTS OF THIS ORGANISATION UPON THE EXPRESS CONDITION THAT IT IS NOT TO  
 BE USED DIRECTLY OR INDIRECTLY IN ANY WAY DETRIMENTAL TO THE INTERESTES OF  
 AGROWFLOW PTY LTD.

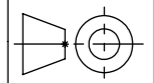
**AP102 x 7 SHANK @ 643mm  
 , 4.5m WORKING WIDTH  
 HYDRAULIC INSTALATION**

LAST PRINTED 24/10/2022

TOTAL MASS 30 Kg

PART NUMBER SUPERSEDE

**607-5002**

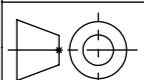


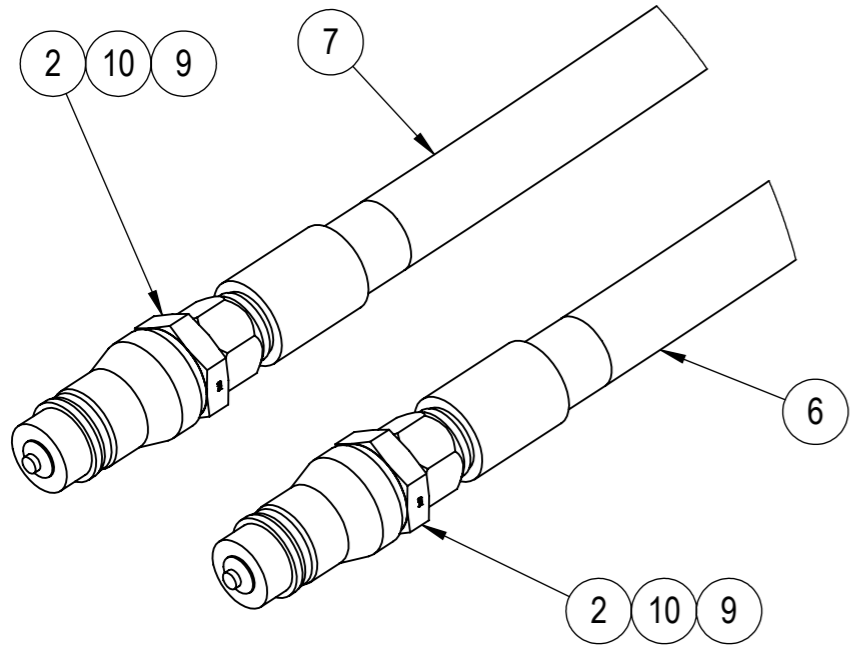
SHEET: PAGE:

1 OF 4

Page43

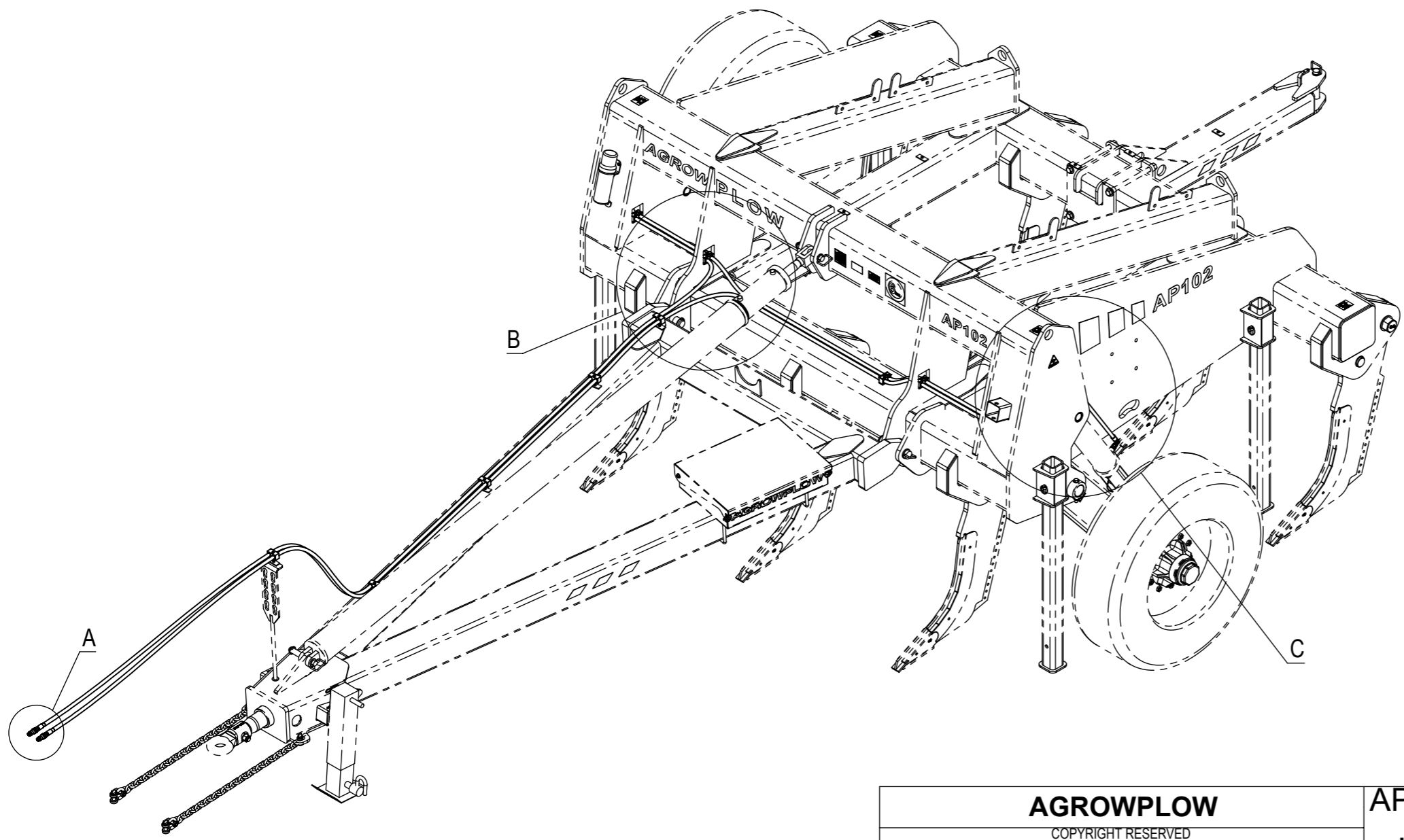
ITEM NO.	PART NUMBER	DESCRIPTION	Length	End 1	End 2	QTY.
1	154-0019	HYD ADAPTOR 3/4" UNO TO 3/4" JIC				6
2	154-4072	HYDRAULIC FITTING ADAPTOR 1/2" TO 3/4" BSPP/JIC				4
3	154-4077	HYD ELBOW 3/4" JIC MALE, 3/4" JIC FEMALE SWIVEL				6
4	154-4103	DIA 22 HYD 3D CLAMP				19
5	154-4167	HYD CLAMP LID 3D				14
6	154-4322	HYDRAULIC HOSE, 1/2" DUAL WEAVE	9315mm	TRACTOR	LEVEL LIFT CAP END	1
7	154-4322	HYDRAULIC HOSE, 1/2" DUAL WEAVE	9040mm	TRACTOR	LEVEL LIFT ROD END	1
8	154-4322	HYDRAULIC HOSE, 1/2" DUAL WEAVE	11297mm	TRACTOR	REAR TOW HITCH	1
9	154-4322	HYDRAULIC HOSE, 1/2" DUAL WEAVE	11297mm	TRACTOR	REAR TOW HITCH	1
10	154-4322	HYDRAULIC HOSE, 1/2" DUAL WEAVE	9679mm	TRACTOR	WHEEL LH CAP END	1
11	154-4322	HYDRAULIC HOSE, 1/2" DUAL WEAVE	8603mm	TRACTOR	WHEEL RH ROD END	1
12	154-4322	HYDRAULIC HOSE, 1/2" DUAL WEAVE	4795mm	WHEEL LH ROD END	WHEEL RH CAP END	1
13	154-4503	SWAGE AND FURREL 1/2" HOSE TO 3/4" JIC				10
14	202-0103	NIPPLE MALE 1/2" BSP FEMALE BP8010-29P				4

<b>AGROWFLOW</b> <small>COPYRIGHT RESERVED</small> <small>THIS DRAWING IS THE PROPERTY AGROWFLOW PTY LTD, AND IS SUBJECT TO RETURN UPON DEMAND. IT IS SUBMITTED FOR USE ONLY IN CONNECTION WITH PROPOSALS OR CONTRACTS OF THIS ORGANISATION UPON THE EXSPRESS CONDITION THAT IT IS NOT TO BE USED DIRECTLY OR INDIRECTLY IN ANY WAY DETRIMENTAL TO THE INTERESTES OF AGROWFLOW PTY LTD.</small>	<b>AP102 x 7 SHANK @ 643mm</b> <b>4.5m WORKING WIDTH</b> <b>HYDRAULIC INSTALATION</b>	PART NUMBER <b>607-5002</b>
	<small>LAST PRINTED 24/10/2022</small>	

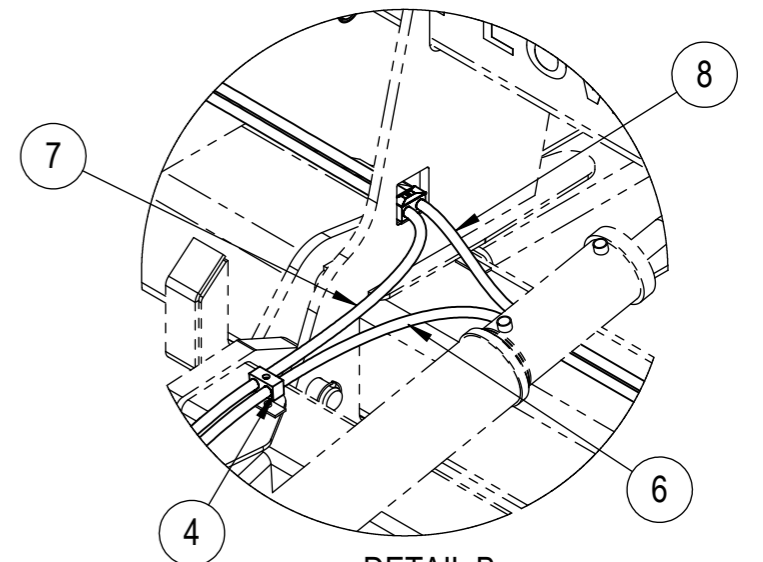


DETAIL A

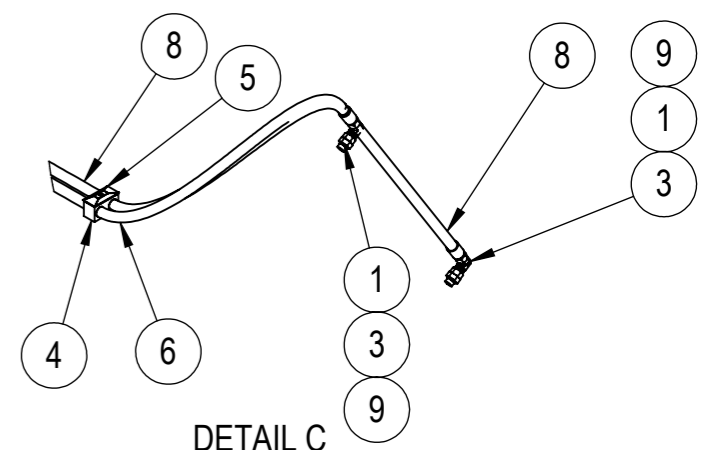
ITEM NO.	PART NUMBER	DESCRIPTION	Length	End 1	End 2	QTY.
1	154-0019	HYD ADAPTOR 3/4" UNO TO 3/4" JIC				4
2	154-4072	HYDRAULIC FITTING ADAPTOR 1/2" TO 3/4" BSPP/JIC				2
3	154-4077	HYD ELBOW 3/4" JIC MALE, 3/4" JIC FEMALE SWIVEL				4
4	154-4103	DIA 22 HYD 3D CLAMP				11
5	154-4167	HYD CLAMP LID 3D				6
6	154-4322	HYDRAULIC HOSE, 1/2" DUAL WEAVE	9679mm	TRACTOR	WHEEL LH CAP END	1
7	154-4322	HYDRAULIC HOSE, 1/2" DUAL WEAVE	8603mm	TRACTOR	WHEEL RH ROD END	1
8	154-4322	HYDRAULIC HOSE, 1/2" DUAL WEAVE	4795mm	WHEEL LH ROD END	WHEEL RH CAP END	1
9	154-4503	SWAGE AND FURREL 1/2" HOSE TO 3/4" JIC				6
10	202-0103	NIPPLE MALE 1/2" BSP FEMALE BP8010-29P				2



HYDRAULIC HOSES WHEELS

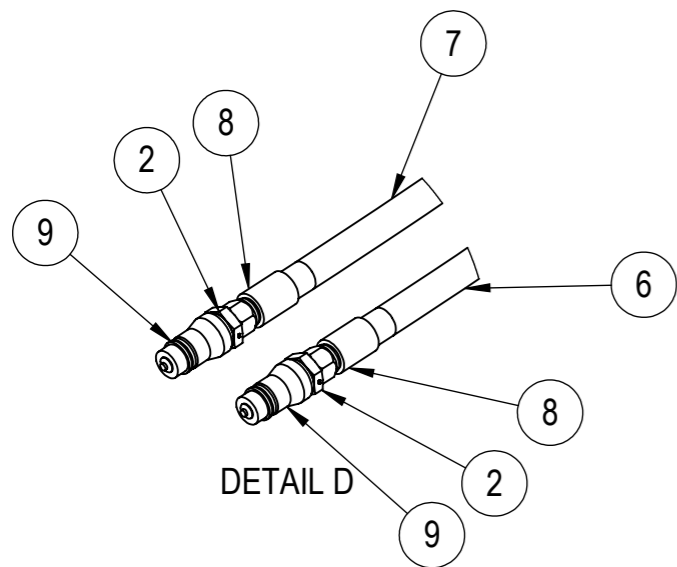


DETAIL B

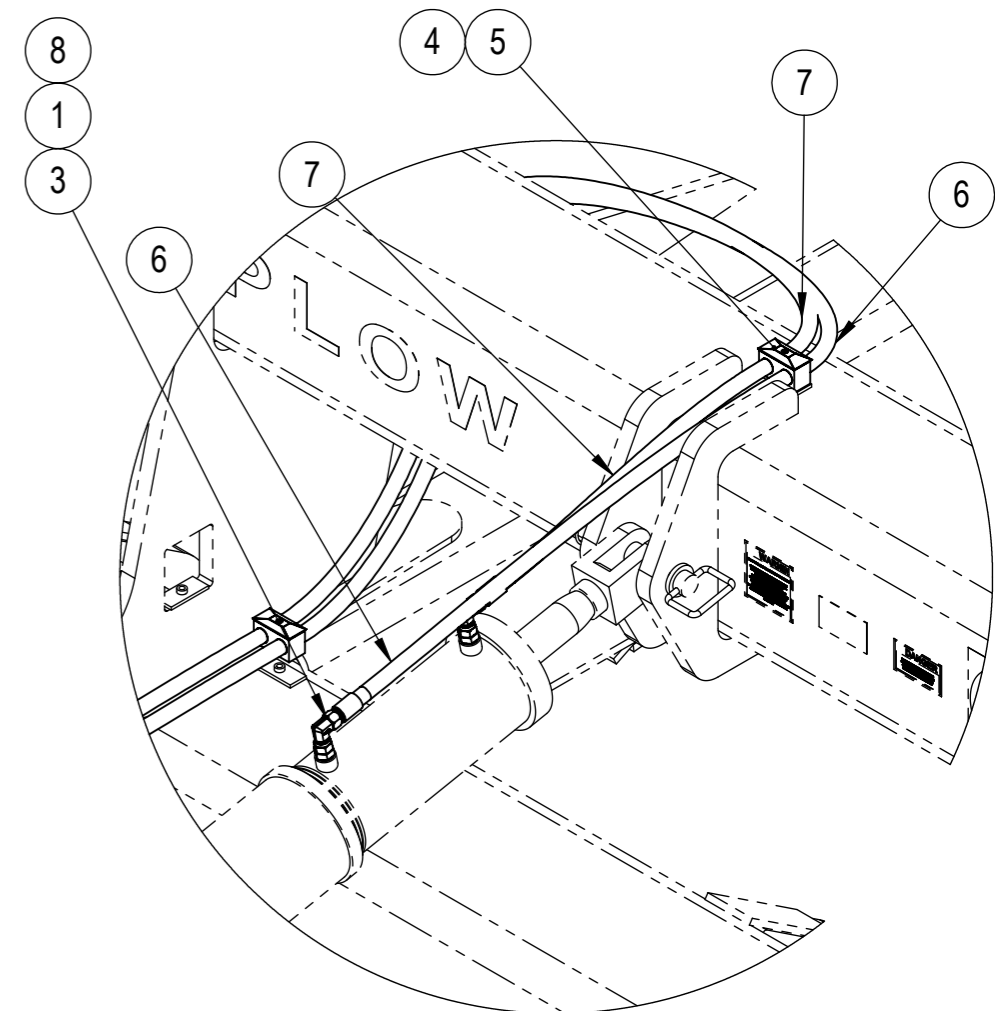
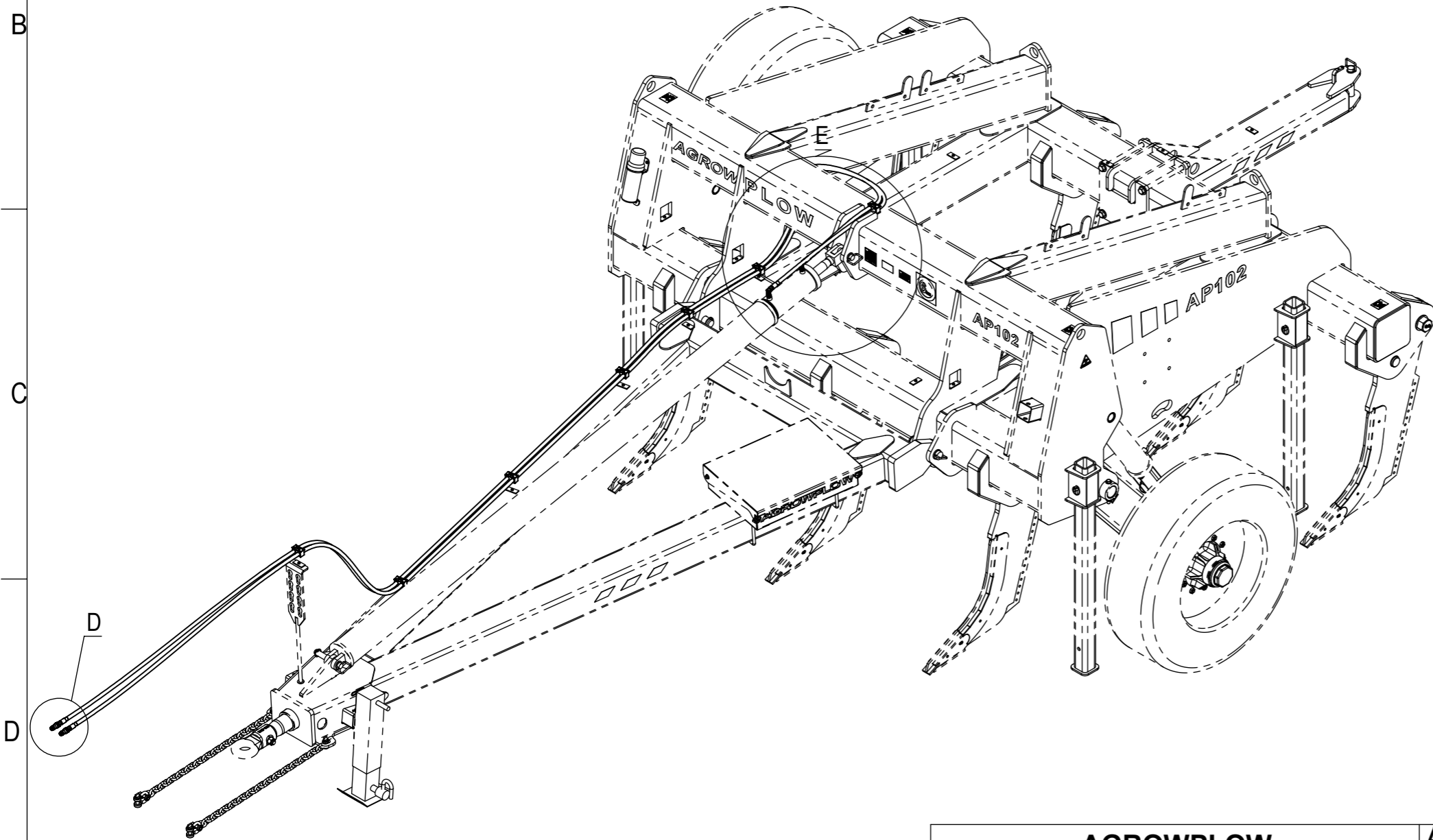


DETAIL C

<b>AGROWFLOW</b> COPYRIGHT RESERVED THIS DRAWING IS THE PROPERTY AGROWFLOW PTY LTD, AND IS SUBJECT TO RETURN UPON DEMAND. IT IS SUBMITTED FOR USE ONLY IN CONNECTION WITH PROPOSALS OR CONTRACTS OF THIS ORGANISATION UPON THE EXPRESS CONDITION THAT IT IS NOT TO BE USED DIRECTLY OR INDIRECTLY IN ANY WAY DETRIMENTAL TO THE INTERESTS OF AGROWFLOW PTY LTD.	<b>AP102 x 7 SHANK @ 643mm 4.5m WORKING WIDTH HYDRAULIC INSTALATION</b>	PART NUMBER <b>607-5002</b>
	LAST PRINTED 24/10/2022	SHEET: 3 OF 4 PAGE: Page45



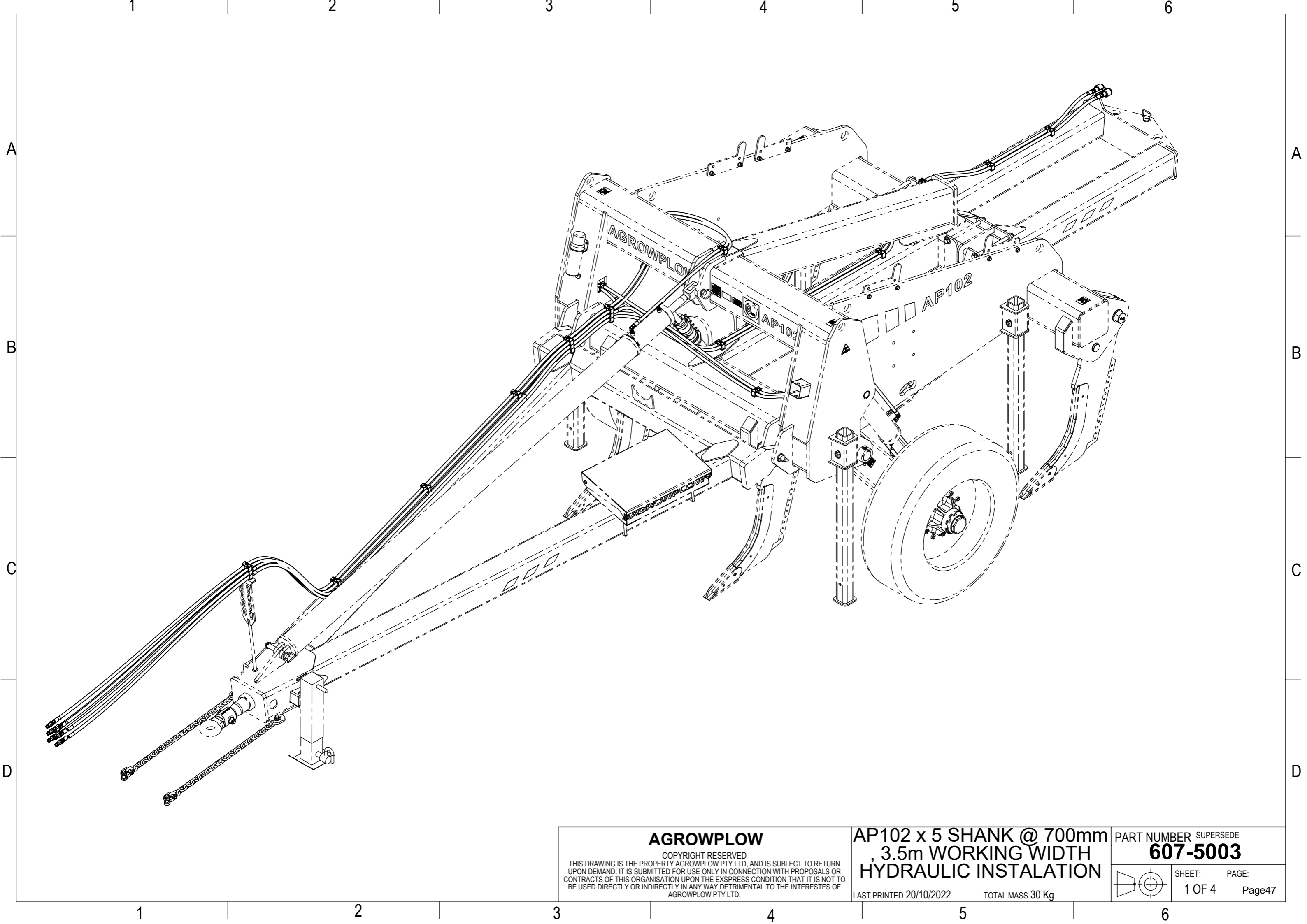
ITEM NO.	PART NUMBER	DESCRIPTION	Length	End 1	End 2	QTY.
1	154-0019	HYD ADAPTOR 3/4" UNO TO 3/4" JIC				2
2	154-4072	HYDRAULIC FITTING ADAPTOR 1/2" TO 3/4" BSPP/JIC				2
3	154-4077	HYD ELBOW 3/4" JIC MALE, 3/4" JIC FEMALE SWIVEL				2
4	154-4103	DIA 22 HYD 3D CLAMP				8
5	154-4167	HYD CLAMP LID 3D				8
6	154-4322	HYDRAULIC HOSE, 1/2" DUAL WEAVE	9315mm	TRACTOR	LEVEL LIFT CAP END	1
7	154-4322	HYDRAULIC HOSE, 1/2" DUAL WEAVE	9040mm	TRACTOR	LEVEL LIFT ROD END	1
8	154-4503	SWAGE AND FURREL 1/2" HOSE TO 3/4" JIC				4
9	202-0103	NIPPLE MALE 1/2" BSP FEMALE BP8010-29P				2



DETAIL E

HYDRAULIC HOSES LEVEL LIFT

<b>AGROWFLOW</b> COPYRIGHT RESERVED <small>THIS DRAWING IS THE PROPERTY AGROWFLOW PTY LTD, AND IS SUBJECT TO RETURN UPON DEMAND. IT IS SUBMITTED FOR USE ONLY IN CONNECTION WITH PROPOSALS OR CONTRACTS OF THIS ORGANISATION UPON THE EXPRESS CONDITION THAT IT IS NOT TO BE USED DIRECTLY OR INDIRECTLY IN ANY WAY DETRIMENTAL TO THE INTERESTS OF AGROWFLOW PTY LTD.</small>	<b>AP102 x 7 SHANK @ 643mm 4.5m WORKING WIDTH HYDRAULIC INSTALATION</b>	PART NUMBER <b>607-5002</b>
	<small>LAST PRINTED 24/10/2022</small>	SHEET: 4 OF 4 PAGE: Page46



**AGROWPLOW**

COPYRIGHT RESERVED  
THIS DRAWING IS THE PROPERTY AGROWPLOW PTY LTD, AND IS SUBJECT TO RETURN UPON DEMAND. IT IS SUBMITTED FOR USE ONLY IN CONNECTION WITH PROPOSALS OR CONTRACTS OF THIS ORGANISATION UPON THE EXPRESS CONDITION THAT IT IS NOT TO BE USED DIRECTLY OR INDIRECTLY IN ANY WAY DETRIMENTAL TO THE INTERESTES OF AGROWPLOW PTY LTD.

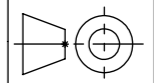
**AP102 x 5 SHANK @ 700mm  
3.5m WORKING WIDTH  
HYDRAULIC INSTALATION**

LAST PRINTED 20/10/2022

TOTAL MASS 30 Kg

PART NUMBER SUPERSEDE

**607-5003**

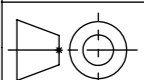


SHEET: PAGE:

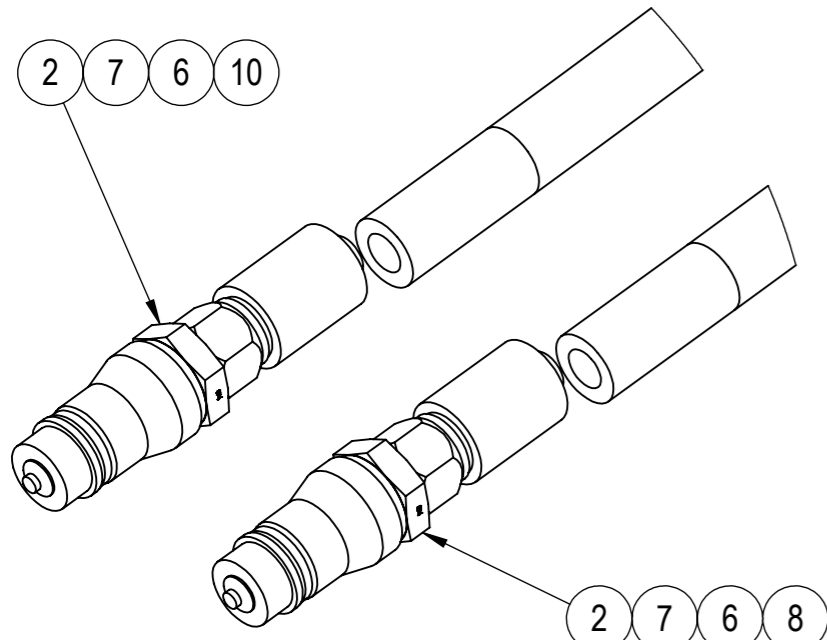
1 OF 4

Page47

ITEM NO.	PART NUMBER	DESCRIPTION	Length	End 1	End 2	QTY.
1	154-0019	HYD ADAPTOR 3/4" UNO TO 3/4" JIC				6
2	154-4072	HYDRAULIC FITTING ADAPTOR 1/2" TO 3/4" BSPP/JIC				4
3	154-4077	HYD ELBOW 3/4" JIC MALE, 3/4" JIC FEMALE SWIVEL				6
4	154-4103	DIA 22 HYD 3D CLAMP				22
5	154-4167	HYD CLAMP LID 3D				14
6	154-4503	SWAGE AND FURREL 1/2" HOSE TO 3/4" JIC				10
7	202-0103	NIPPLE MALE 1/2" BSP FEMALE BP8010-29P				4
8	154-4322	HYDRAULIC HOSE, 1/2" DUAL WEAVE	9354mm	TRACTOR	LEVEL LIFT CAP END	1
9	154-4322	HYDRAULIC HOSE, 1/2" DUAL WEAVE	8373mm	TRACTOR	RH WHEEL ROD END	1
10	154-4322	HYDRAULIC HOSE, 1/2" DUAL WEAVE	9287mm	TRACTOR	LH WHEEL CAP END	1
11	154-4322	HYDRAULIC HOSE, 1/2" DUAL WEAVE	4043mm	LH WHEEL CAP END	RH WHEEL ROD END	1
12	154-4322	HYDRAULIC HOSE, 1/2" DUAL WEAVE	9100mm	TRACTOR	LEVEL LIFT ROD END	1
13	154-4322	HYDRAULIC HOSE, 1/2" DUAL WEAVE	11885mm	TRACTOR	RTH	1
14	154-4322	HYDRAULIC HOSE, 1/2" DUAL WEAVE	11888mm	TRACTOR	RTH	1

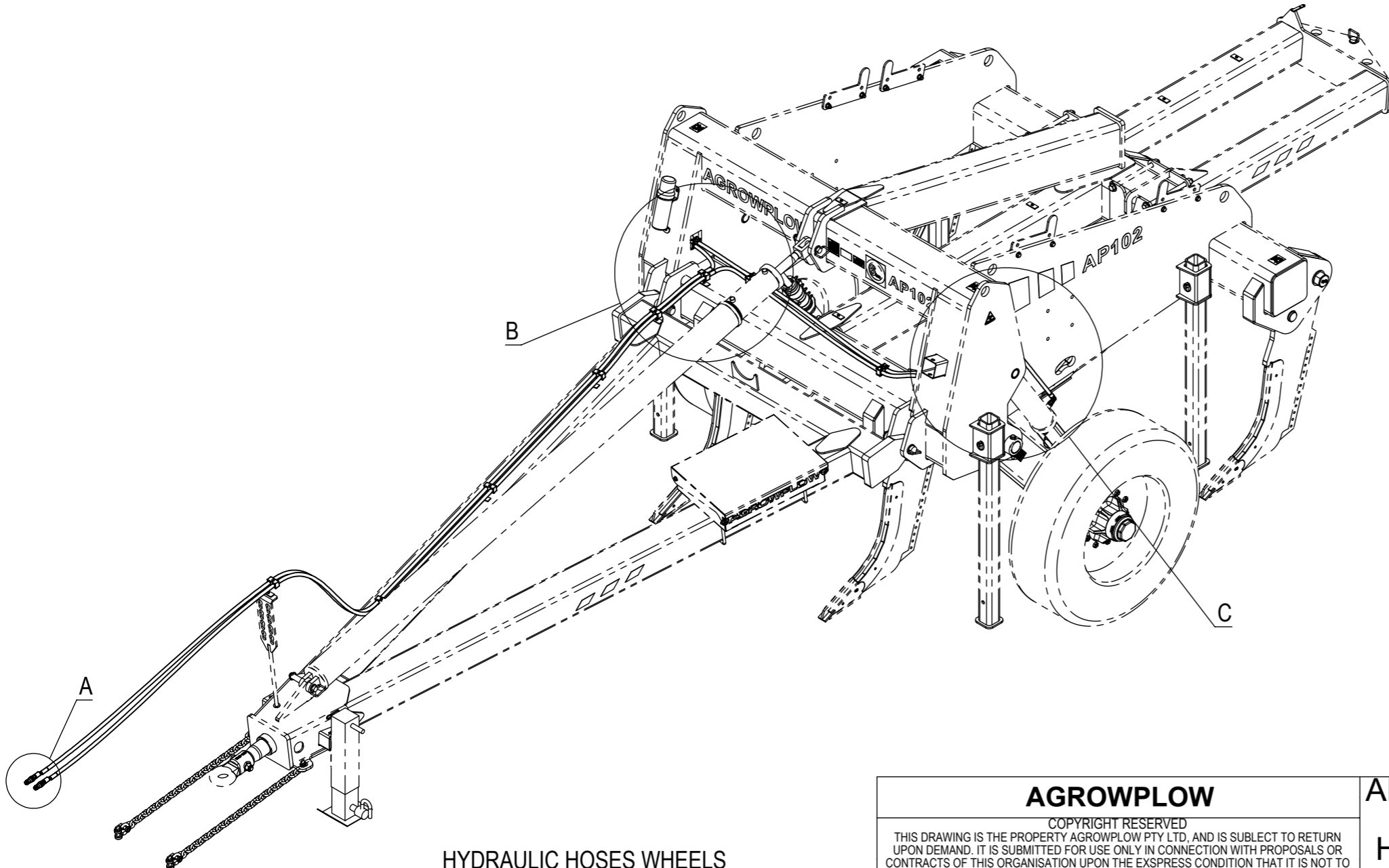
<p><b>AGROWFLOW</b></p> <p><small>COPYRIGHT RESERVED</small></p> <p><small>THIS DRAWING IS THE PROPERTY AGROWFLOW PTY LTD, AND IS SUBJECT TO RETURN UPON DEMAND. IT IS SUBMITTED FOR USE ONLY IN CONNECTION WITH PROPOSALS OR CONTRACTS OF THIS ORGANISATION UPON THE EXPRESS CONDITION THAT IT IS NOT TO BE USED DIRECTLY OR INDIRECTLY IN ANY WAY DETRIMENTAL TO THE INTERESTES OF AGROWFLOW PTY LTD.</small></p>	<p><b>AP102 x 5 SHANK @ 700mm</b></p> <p><b>3.5m WORKING WIDTH</b></p> <p><b>HYDRAULIC INSTALATION</b></p> <p><small>LAST PRINTED 20/10/2022</small></p>	<p>PART NUMBER</p> <p><b>607-5003</b></p>
	<p></p>	<p>SHEET: 2 OF 4</p> <p>PAGE: Page48</p>



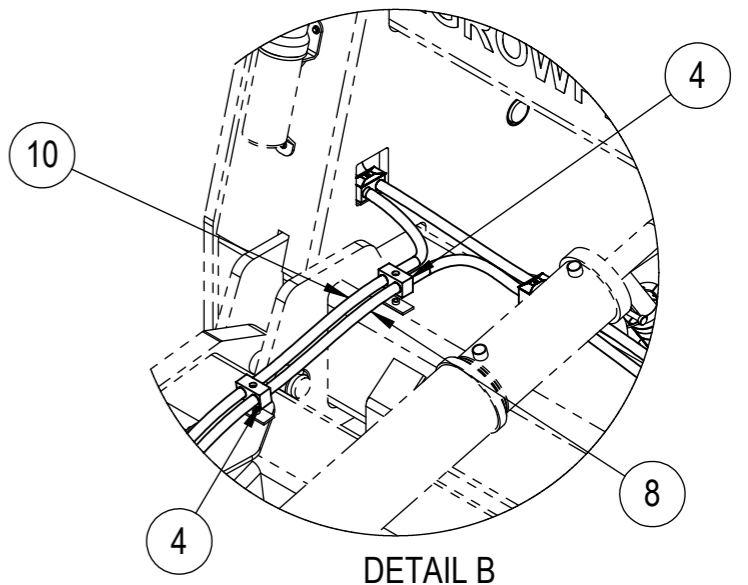


DETAIL A

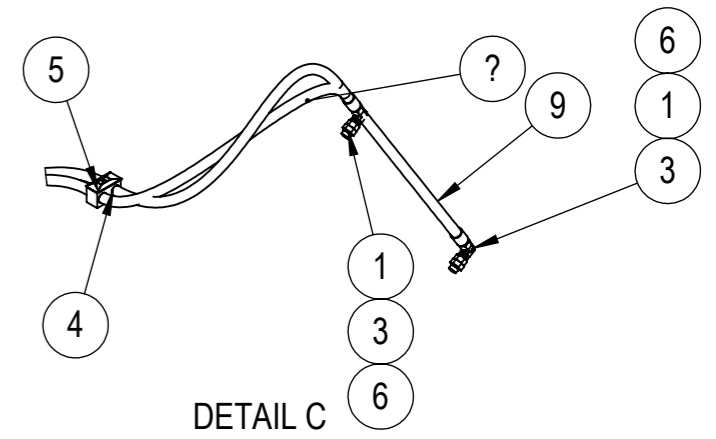
ITEM NO.	PART NUMBER	DESCRIPTION	Length	End 1	End 2	QTY.
1	154-0019	HYD ADAPTOR 3/4" UNO TO 3/4" JIC				4
2	154-4072	HYDRAULIC FITTING ADAPTOR 1/2" TO 3/4" BSPP/JIC				2
3	154-4077	HYD ELBOW 3/4" JIC MALE, 3/4" JIC FEMALE SWIVEL				4
4	154-4103	DIA 22 HYD 3D CLAMP				10
5	154-4167	HYD CLAMP LID 3D				4
6	154-4503	SWAGE AND FURREL 1/2" HOSE TO 3/4" JIC				6
7	202-0103	NIPPLE MALE 1/2" BSP FEMALE BP8010-29P				2
8	154-4322	HYDRAULIC HOSE, 1/2" DUAL WEAVE	9287mm	TRACTOR	LH WHEEL CAP END	1
9	154-4322	HYDRAULIC HOSE, 1/2" DUAL WEAVE	4043mm	LH WHEEL CAP END	RH WHEEL ROD END	1
10	154-4322	HYDRAULIC HOSE, 1/2" DUAL WEAVE	8373mm	TRACTOR	RH WHEEL ROD END	1



HYDRAULIC HOSES WHEELS

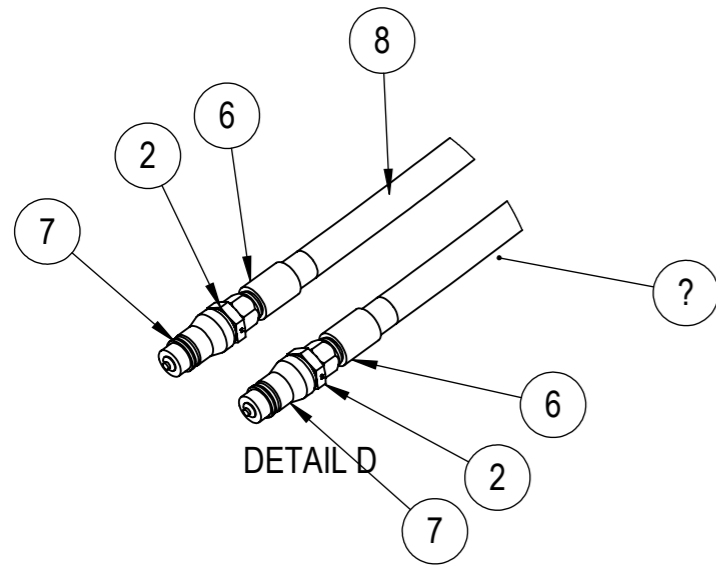


DETAIL B

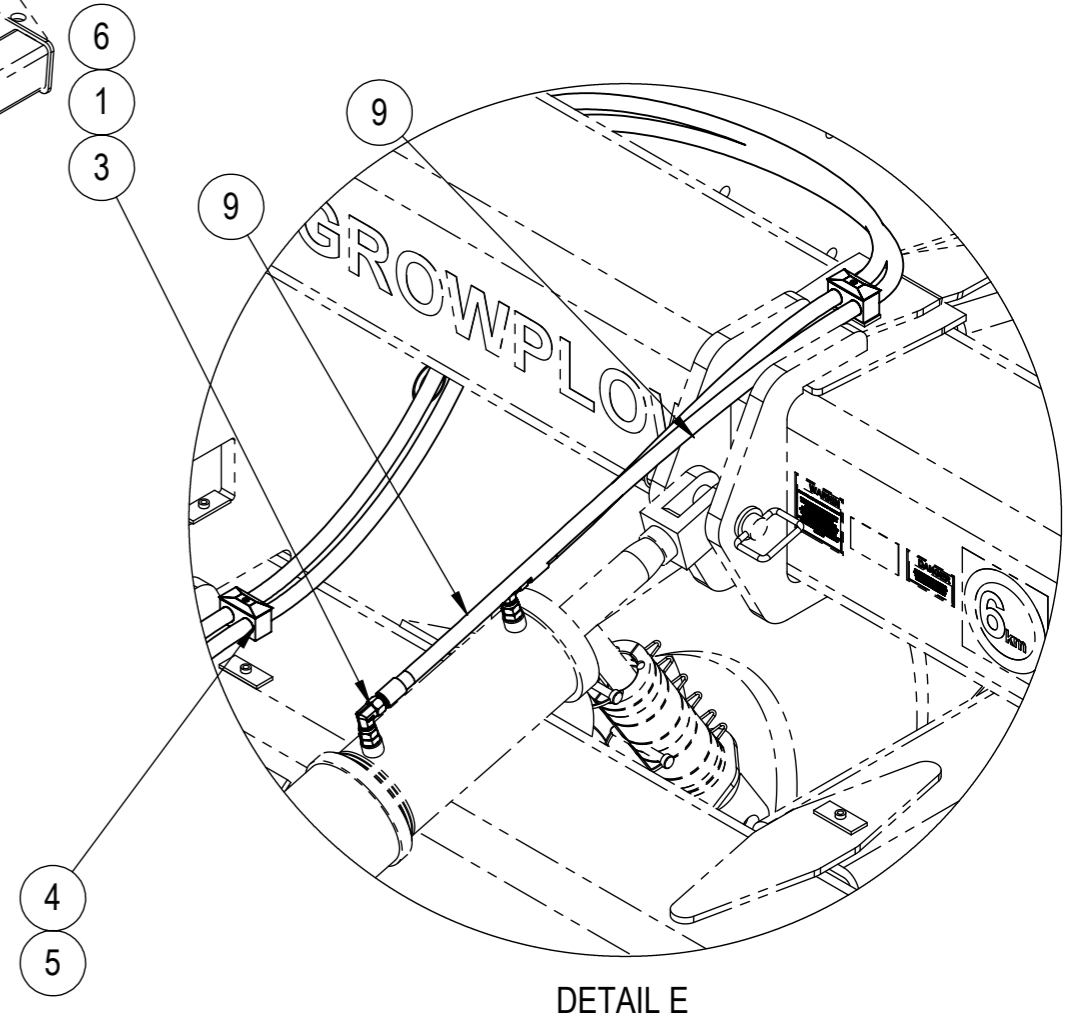
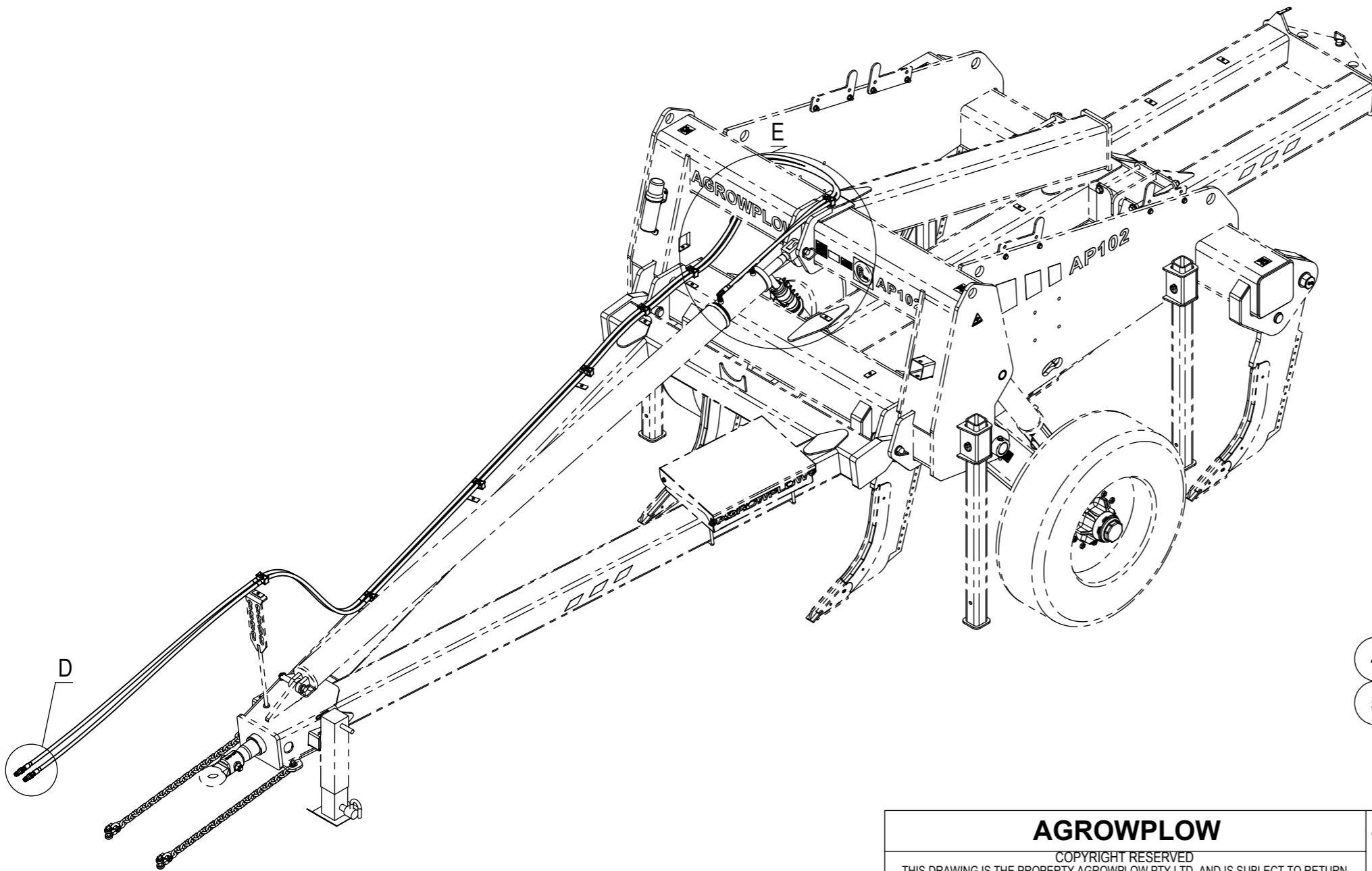


DETAIL C

<b>AGROWFLOW</b> COPYRIGHT RESERVED <small>THIS DRAWING IS THE PROPERTY AGROWFLOW PTY LTD, AND IS SUBJECT TO RETURN UPON DEMAND. IT IS SUBMITTED FOR USE ONLY IN CONNECTION WITH PROPOSALS OR CONTRACTS OF THIS ORGANISATION UPON THE EXPRESS CONDITION THAT IT IS NOT TO BE USED DIRECTLY OR INDIRECTLY IN ANY WAY DETRIMENTAL TO THE INTERESTS OF AGROWFLOW PTY LTD.</small>	<b>AP102 x 5 SHANK @ 700mm 3.5m WORKING WIDTH HYDRAULIC INSTALATION</b>	PART NUMBER <b>607-5003</b>
	<small>LAST PRINTED 20/10/2022</small>	SHEET: <b>3 OF 4</b> PAGE: <b>Page49</b>

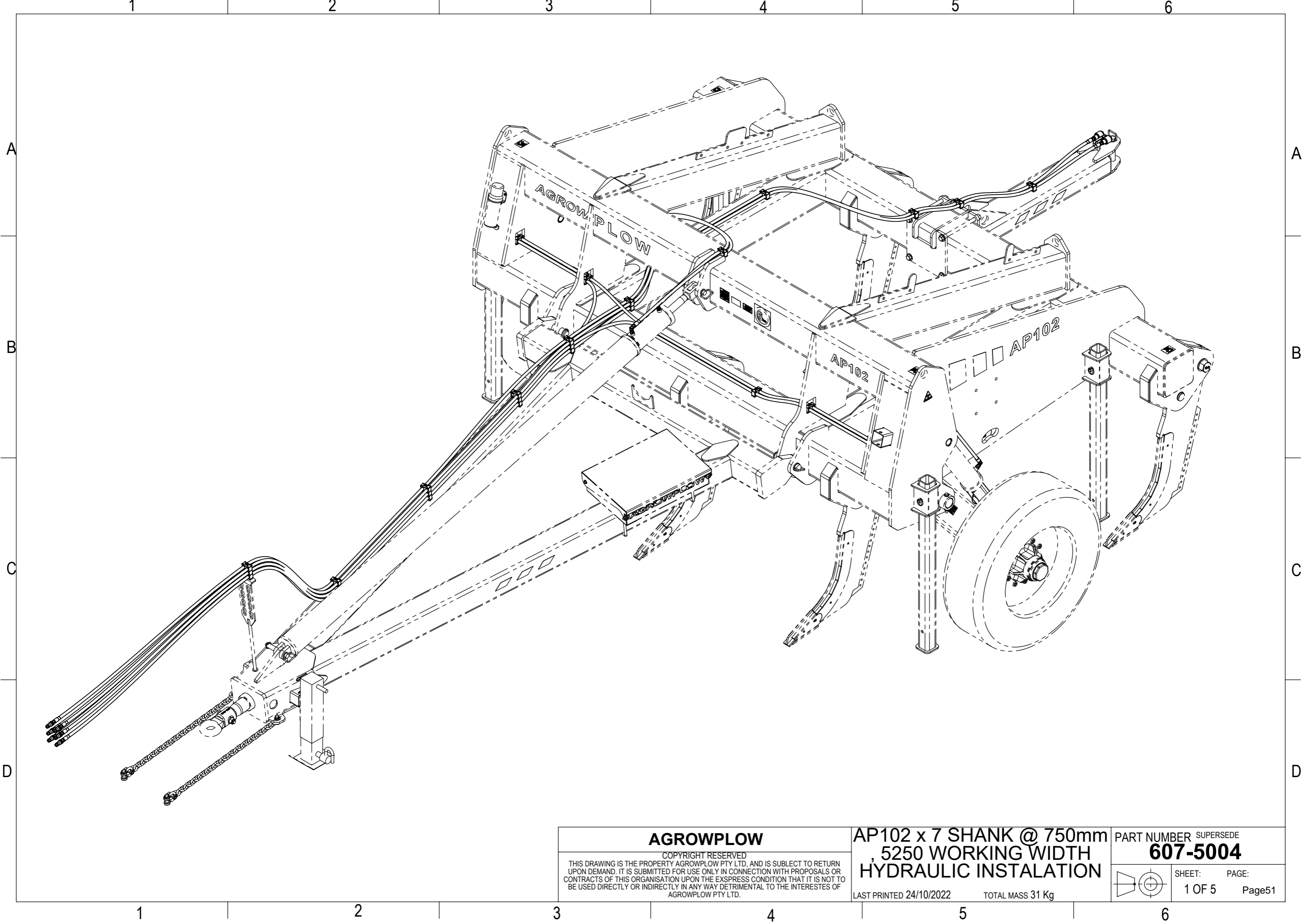


ITEM NO.	PART NUMBER	DESCRIPTION	Length	End 1	End 2	QTY.
1	154-0019	HYD ADAPTOR 3/4" UNO TO 3/4" JIC				2
2	154-4072	HYDRAULIC FITTING ADAPTOR 1/2" TO 3/4" BSPP/JIC				2
3	154-4077	HYD ELBOW 3/4" JIC MALE, 3/4" JIC FEMALE SWIVEL				2
4	154-4103	DIA 22 HYD 3D CLAMP				8
5	154-4167	HYD CLAMP LID 3D				8
6	154-4503	SWAGE AND FURREL 1/2" HOSE TO 3/4" JIC				4
7	202-0103	NIPPLE MALE 1/2" BSP FEMALE BP8010-29P				2
8	154-4322	HYDRAULIC HOSE, 1/2" DUAL WEAVE	9100mm	TRACTOR	LEVEL LIFT ROD END	1
9	154-4322	HYDRAULIC HOSE, 1/2" DUAL WEAVE	9354mm	TRACTOR	LEVEL LIFT CAP END	1



HYDRAULIC HOSES LEVEL LIFT

<b>AGROWFLOW</b> COPYRIGHT RESERVED <small>THIS DRAWING IS THE PROPERTY AGROWFLOW PTY LTD, AND IS SUBJECT TO RETURN UPON DEMAND. IT IS SUBMITTED FOR USE ONLY IN CONNECTION WITH PROPOSALS OR CONTRACTS OF THIS ORGANISATION UPON THE EXPRESS CONDITION THAT IT IS NOT TO BE USED DIRECTLY OR INDIRECTLY IN ANY WAY DETRIMENTAL TO THE INTERESTS OF AGROWFLOW PTY LTD.</small>	<b>AP102 x 5 SHANK @ 700mm 3.5m WORKING WIDTH HYDRAULIC INSTALATION</b>	PART NUMBER <b>607-5003</b>
	<small>LAST PRINTED 20/10/2022</small>	SHEET: 4 OF 4 PAGE: Page50



**AGROWFLOW**

COPYRIGHT RESERVED  
THIS DRAWING IS THE PROPERTY AGROWFLOW PTY LTD, AND IS SUBJECT TO RETURN UPON DEMAND. IT IS SUBMITTED FOR USE ONLY IN CONNECTION WITH PROPOSALS OR CONTRACTS OF THIS ORGANISATION UPON THE EXPRESS CONDITION THAT IT IS NOT TO BE USED DIRECTLY OR INDIRECTLY IN ANY WAY DETRIMENTAL TO THE INTERESTES OF AGROWFLOW PTY LTD.

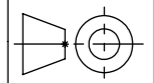
**AP102 x 7 SHANK @ 750mm  
5250 WORKING WIDTH  
HYDRAULIC INSTALLATION**

LAST PRINTED 24/10/2022

TOTAL MASS 31 Kg

PART NUMBER SUPERSEDE

**607-5004**

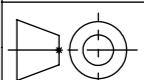


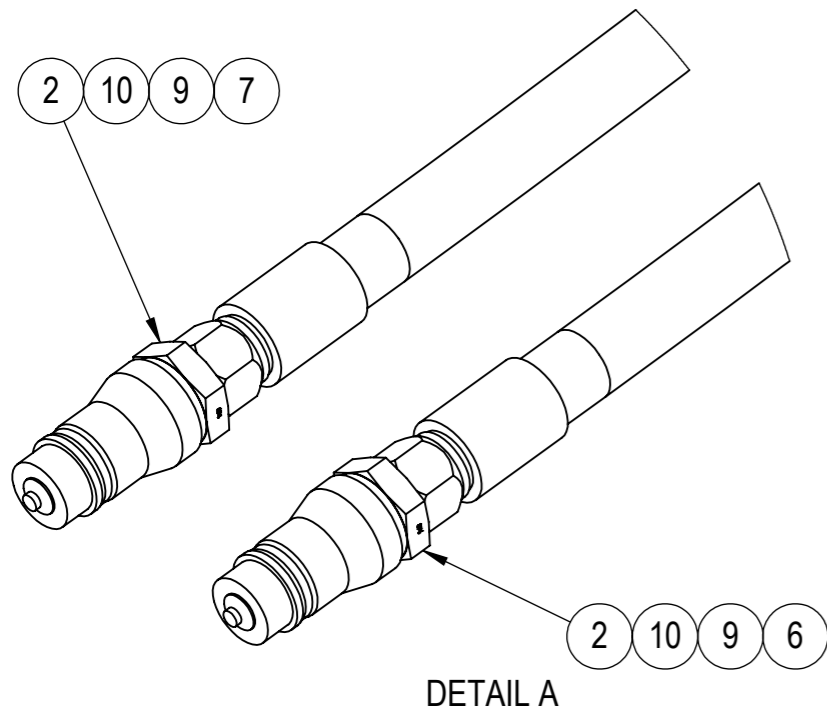
SHEET: PAGE:

1 OF 5

Page51

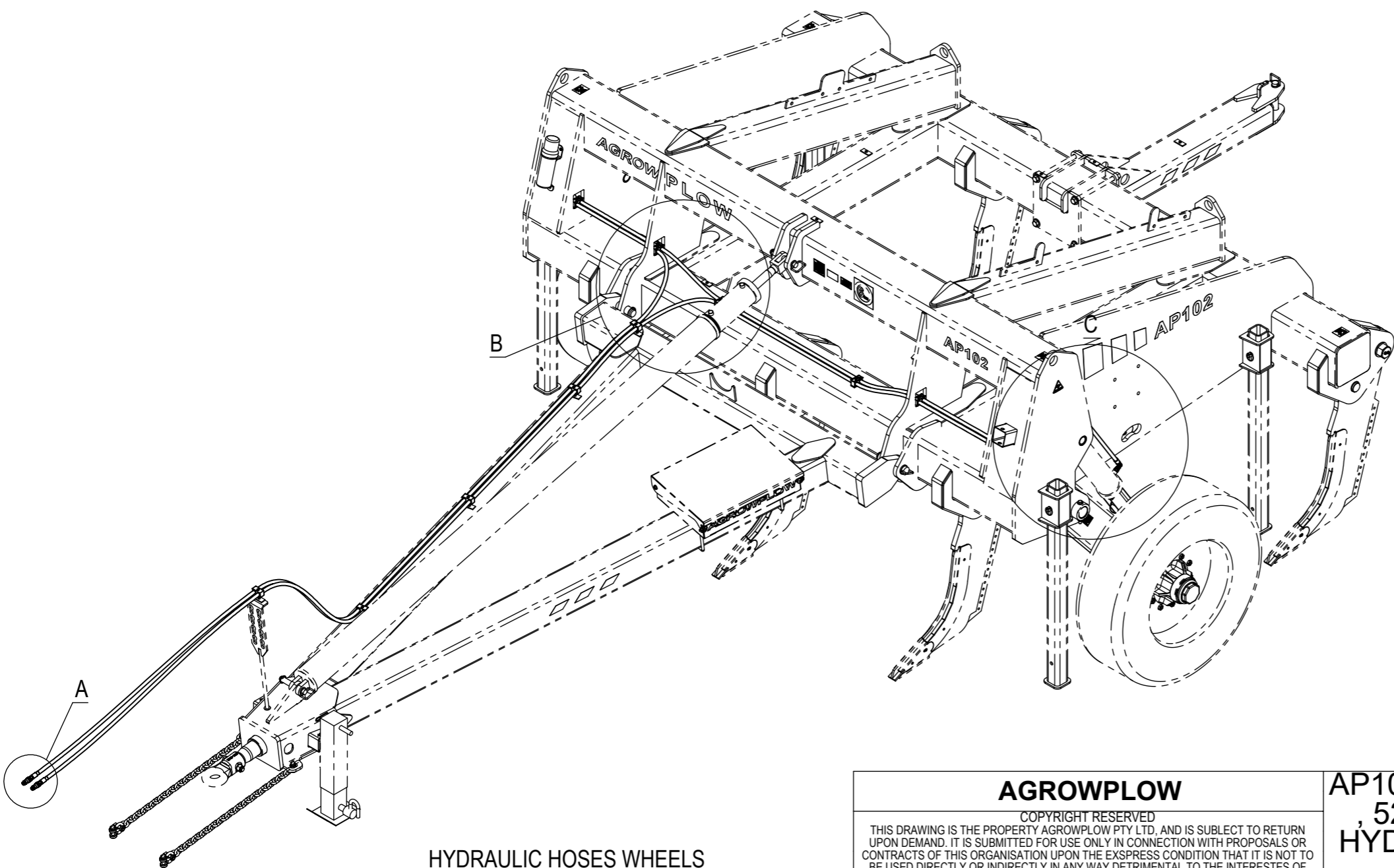
ITEM NO.	PART NUMBER	DESCRIPTION	Length	End 1	End 2	QTY.
1	154-0019	HYD ADAPTOR 3/4" UNO TO 3/4" JIC				6
2	154-4072	HYDRAULIC FITTING ADAPTOR 1/2" TO 3/4" BSPP/JIC				4
3	154-4077	HYD ELBOW 3/4" JIC MALE, 3/4" JIC FEMALE SWIVEL				6
4	154-4103	DIA 22 HYD 3D CLAMP				19
5	154-4167	HYD CLAMP LID 3D				14
6	154-4322	HYDRAULIC HOSE, 1/2" DUAL WEAVE	9451mm	TRACTOR	LEVEL LIFT CAP END	1
7	154-4322	HYDRAULIC HOSE, 1/2" DUAL WEAVE	9177mm	TRACTOR	LEVEL LIFT ROD END	1
8	154-4322	HYDRAULIC HOSE, 1/2" DUAL WEAVE	11601mm	TRACTOR	REAR TOW HITCH	1
9	154-4322	HYDRAULIC HOSE, 1/2" DUAL WEAVE	11601mm	TRACTOR	REAR TOW HITCH	1
10	154-4322	HYDRAULIC HOSE, 1/2" DUAL WEAVE	9998mm	TRACTOR	WHEEL LH CAP END	1
11	154-4322	HYDRAULIC HOSE, 1/2" DUAL WEAVE	8901mm	TRACTOR	WHEEL RH ROD END	1
12	154-4322	HYDRAULIC HOSE, 1/2" DUAL WEAVE	5530mm	WHEEL LH ROD END	WHEEL RH CAP END	1
13	154-4503	SWAGE AND FURREL 1/2" HOSE TO 3/4" JIC				10
14	202-0103	NIPPLE MALE 1/2" BSP FEMALE BP8010-29P				4

<p><b>AGROWFLOW</b></p> <p><small>COPYRIGHT RESERVED</small></p> <p><small>THIS DRAWING IS THE PROPERTY AGROWFLOW PTY LTD, AND IS SUBJECT TO RETURN UPON DEMAND. IT IS SUBMITTED FOR USE ONLY IN CONNECTION WITH PROPOSALS OR CONTRACTS OF THIS ORGANISATION UPON THE EXSPRESS CONDITION THAT IT IS NOT TO BE USED DIRECTLY OR INDIRECTLY IN ANY WAY DETRIMENTAL TO THE INTERESTES OF AGROWFLOW PTY LTD.</small></p>	<p><b>AP102 x 7 SHANK @ 750mm</b></p> <p><b>, 5250 WORKING WIDTH</b></p> <p><b>HYDRAULIC INSTALATION</b></p> <p><small>LAST PRINTED 24/10/2022</small></p>	<p>PART NUMBER</p> <p><b>607-5004</b></p>
	<p></p>	<p>SHEET: 2 OF 5</p> <p>PAGE: Page52</p>

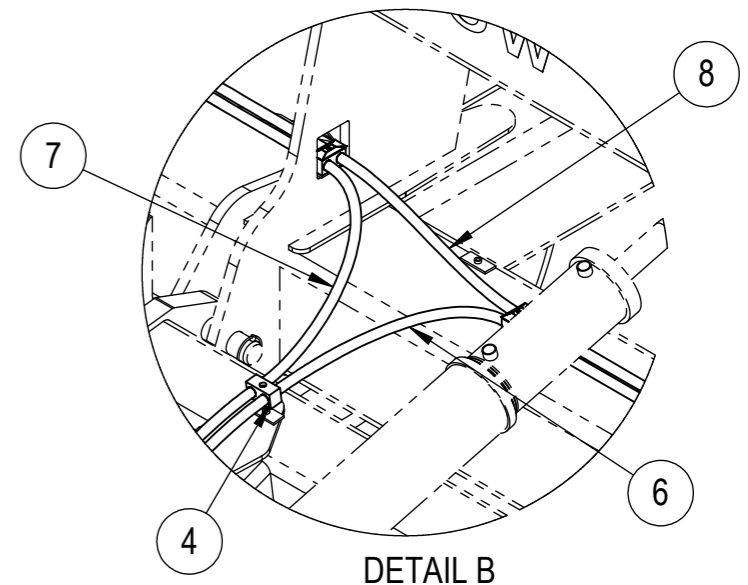


DETAIL A

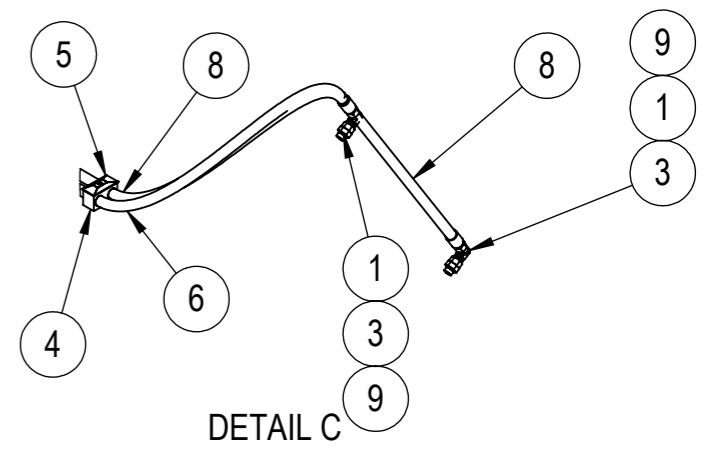
ITEM NO.	PART NUMBER	DESCRIPTION	Length	End 1	End 2	QTY.
1	154-0019	HYD ADAPTOR 3/4" UNO TO 3/4" JIC				4
2	154-4072	HYDRAULIC FITTING ADAPTOR 1/2" TO 3/4" BSPP/JIC				2
3	154-4077	HYD ELBOW 3/4" JIC MALE, 3/4" JIC FEMALE SWIVEL				4
4	154-4103	DIA 22 HYD 3D CLAMP				11
5	154-4167	HYD CLAMP LID 3D				6
6	154-4322	HYDRAULIC HOSE, 1/2" DUAL WEAVE	9998mm	TRACTOR	WHEEL LH CAP END	1
7	154-4322	HYDRAULIC HOSE, 1/2" DUAL WEAVE	8901mm	TRACTOR	WHEEL RH ROD END	1
8	154-4322	HYDRAULIC HOSE, 1/2" DUAL WEAVE	5530mm	WHEEL LH ROD END	WHEEL RH CAP END	1
9	154-4503	SWAGE AND FURREL 1/2" HOSE TO 3/4" JIC				6
10	202-0103	NIPPLE MALE 1/2" BSP FEMALE BP8010-29P				2



HYDRAULIC HOSES WHEELS

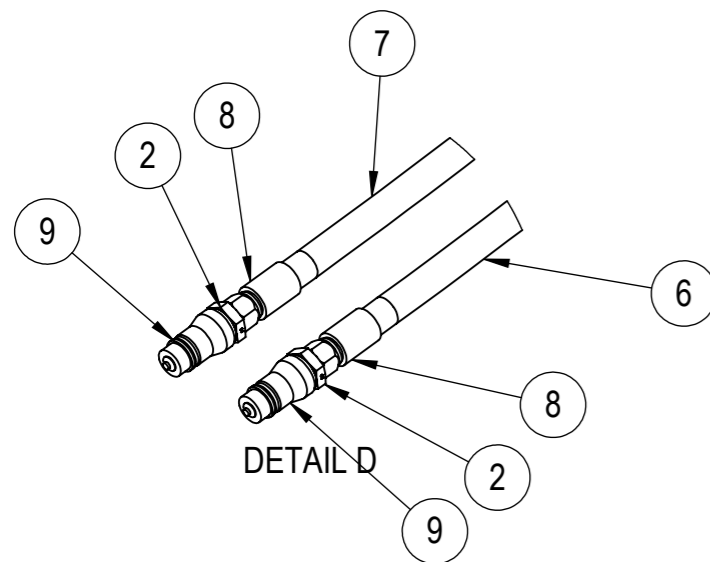


DETAIL B

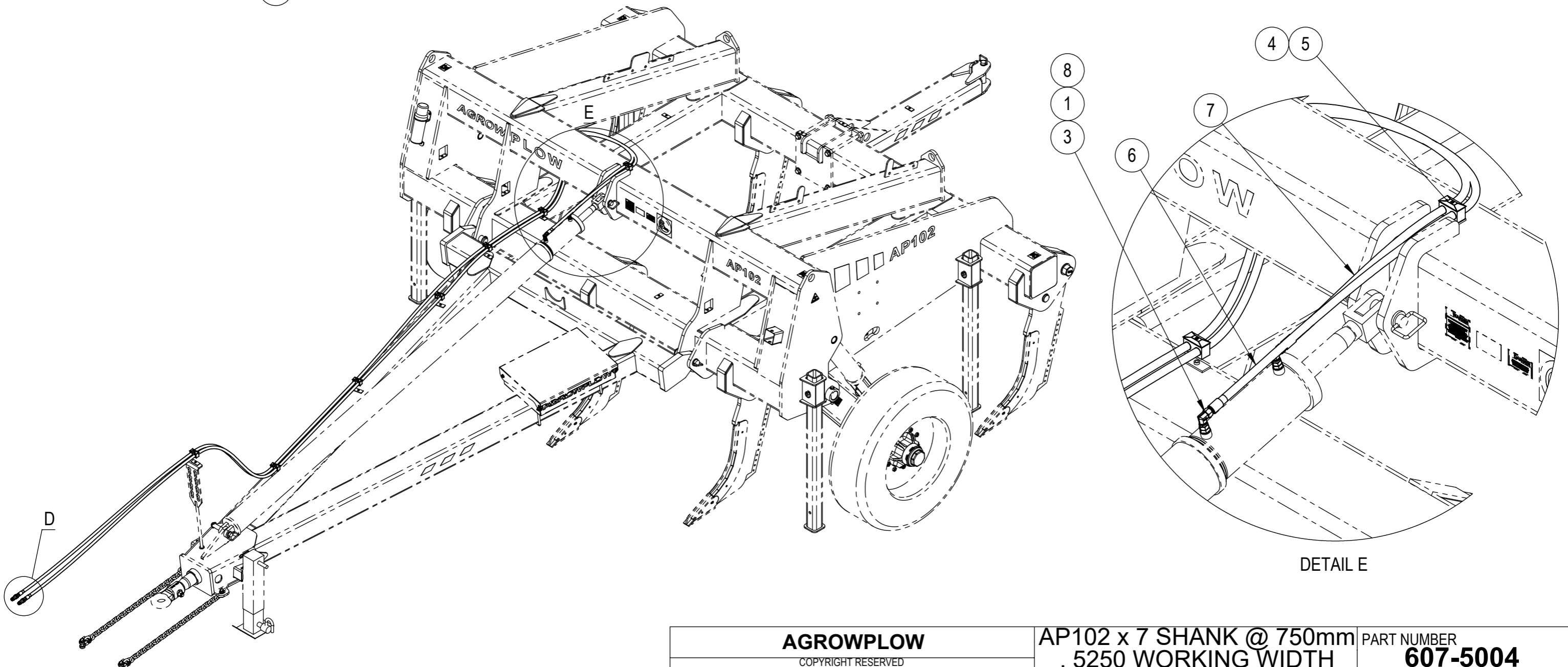


DETAIL C

<b>AGROWFLOW</b> COPYRIGHT RESERVED THIS DRAWING IS THE PROPERTY AGROWFLOW PTY LTD, AND IS SUBJECT TO RETURN UPON DEMAND. IT IS SUBMITTED FOR USE ONLY IN CONNECTION WITH PROPOSALS OR CONTRACTS OF THIS ORGANISATION UPON THE EXPRESS CONDITION THAT IT IS NOT TO BE USED DIRECTLY OR INDIRECTLY IN ANY WAY DETRIMENTAL TO THE INTERESTS OF AGROWFLOW PTY LTD.	<b>AP102 x 7 SHANK @ 750mm 5250 WORKING WIDTH HYDRAULIC INSTALATION</b>	PART NUMBER <b>607-5004</b>
LAST PRINTED 24/10/2022	SHEET: 3 OF 5	PAGE: Page53



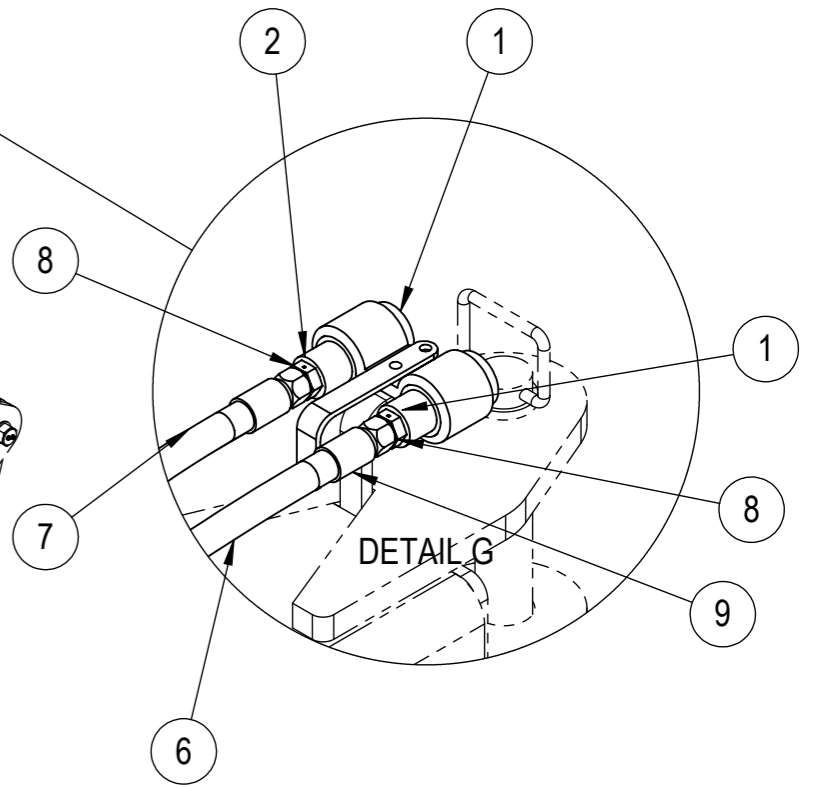
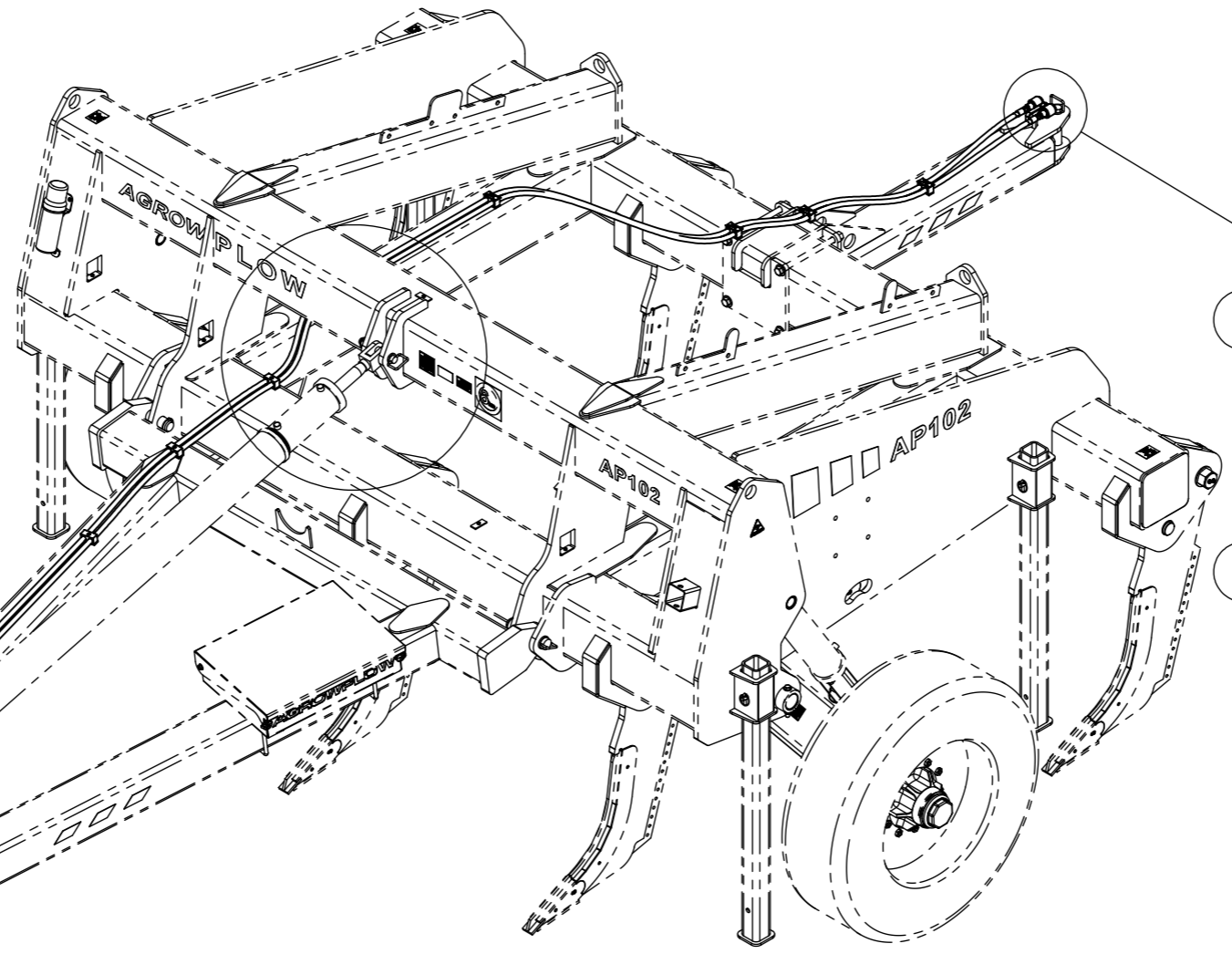
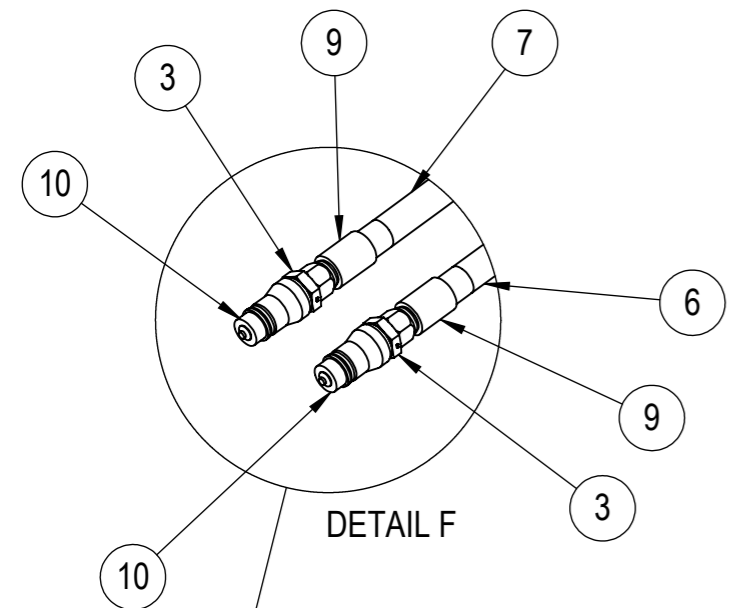
ITEM NO.	PART NUMBER	DESCRIPTION	Length	End 1	End 2	QTY.
1	154-0019	HYD ADAPTOR 3/4" UNO TO 3/4" JIC				2
2	154-4072	HYDRAULIC FITTING ADAPTOR 1/2" TO 3/4" BSPP/JIC				2
3	154-4077	HYD ELBOW 3/4" JIC MALE, 3/4" JIC FEMALE SWIVEL				2
4	154-4103	DIA 22 HYD 3D CLAMP				8
5	154-4167	HYD CLAMP LID 3D				8
6	154-4322	HYDRAULIC HOSE, 1/2" DUAL WEAVE	9451mm	TRACTOR	LEVEL LIFT CAP END	1
7	154-4322	HYDRAULIC HOSE, 1/2" DUAL WEAVE	9177mm	TRACTOR	LEVEL LIFT ROD END	1
8	154-4503	SWAGE AND FURREL 1/2" HOSE TO 3/4" JIC				4
9	202-0103	NIPPLE MALE 1/2" BSP FEMALE BP8010-29P				2



HYDRAULIC HOSES LEVEL LIFT

<b>AGROWFLOW</b> COPYRIGHT RESERVED <small>THIS DRAWING IS THE PROPERTY AGROWFLOW PTY LTD, AND IS SUBJECT TO RETURN UPON DEMAND. IT IS SUBMITTED FOR USE ONLY IN CONNECTION WITH PROPOSALS OR CONTRACTS OF THIS ORGANISATION UPON THE EXPRESS CONDITION THAT IT IS NOT TO BE USED DIRECTLY OR INDIRECTLY IN ANY WAY DETRIMENTAL TO THE INTERESTS OF AGROWFLOW PTY LTD.</small>	<b>AP102 x 7 SHANK @ 750mm 5250 WORKING WIDTH HYDRAULIC INSTALATION</b>	PART NUMBER <b>607-5004</b>
	<small>LAST PRINTED 24/10/2022</small>	SHEET: 4 OF 5 PAGE: Page54

ITEM NO.	PART NUMBER	DESCRIPTION	Length	End 1	End 2	QTY.
1	154-3743	HYD COUPLING KIT				1
2	154-3744	PIONEER FEMALE COUPLING (1/2" N.P.T. thread)				2
3	154-4072	HYDRAULIC FITTING ADAPTOR 1/2" TO 3/4" BSPP/JIC				2
4	154-4103	DIA 22 HYD 3D CLAMP				11
5	154-4167	HYD CLAMP LID 3D				5
6	154-4322	HYDRAULIC HOSE, 1/2" DUAL WEAVE	11601mm	TRACTOR	REAR TOW HITCH	1
7	154-4322	HYDRAULIC HOSE, 1/2" DUAL WEAVE	11601mm	TRACTOR	REAR TOW HITCH	1
8	154-4342	1/2" BSPT MALE x 3/4 JIC MALE NIPPLE S7-0812				2
9	154-4503	SWAGE AND FURREL 1/2" HOSE TO 3/4" JIC				4
10	202-0103	NIPPLE MALE 1/2" BSP FEMALE BP8010-29P				2



HYDRAULIC HOSES LEVEL LIFT

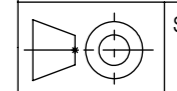
**AGROWFLOW**

COPYRIGHT RESERVED  
THIS DRAWING IS THE PROPERTY AGROWFLOW PTY LTD, AND IS SUBJECT TO RETURN UPON DEMAND. IT IS SUBMITTED FOR USE ONLY IN CONNECTION WITH PROPOSALS OR CONTRACTS OF THIS ORGANISATION UPON THE EXPRESS CONDITION THAT IT IS NOT TO BE USED DIRECTLY OR INDIRECTLY IN ANY WAY DETRIMENTAL TO THE INTERESTS OF AGROWFLOW PTY LTD.

**AP102 x 7 SHANK @ 750mm  
5250 WORKING WIDTH  
HYDRAULIC INSTALATION**

LAST PRINTED 24/10/2022 TOTAL MASS 12 Kg

PART NUMBER SUPERSEDE  
**607-5004**



SHEET: PAGE:  
**5 OF 5 Page55**