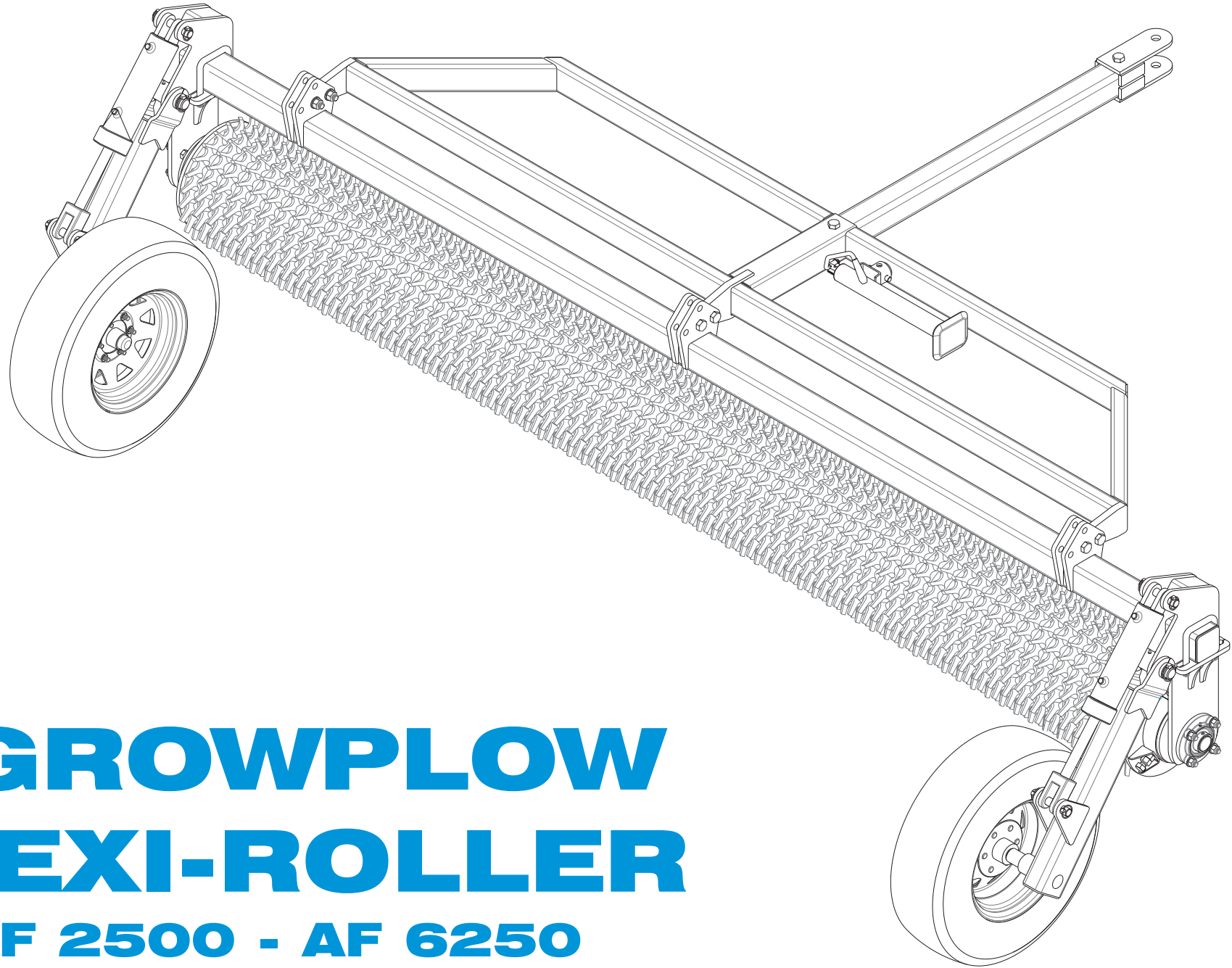


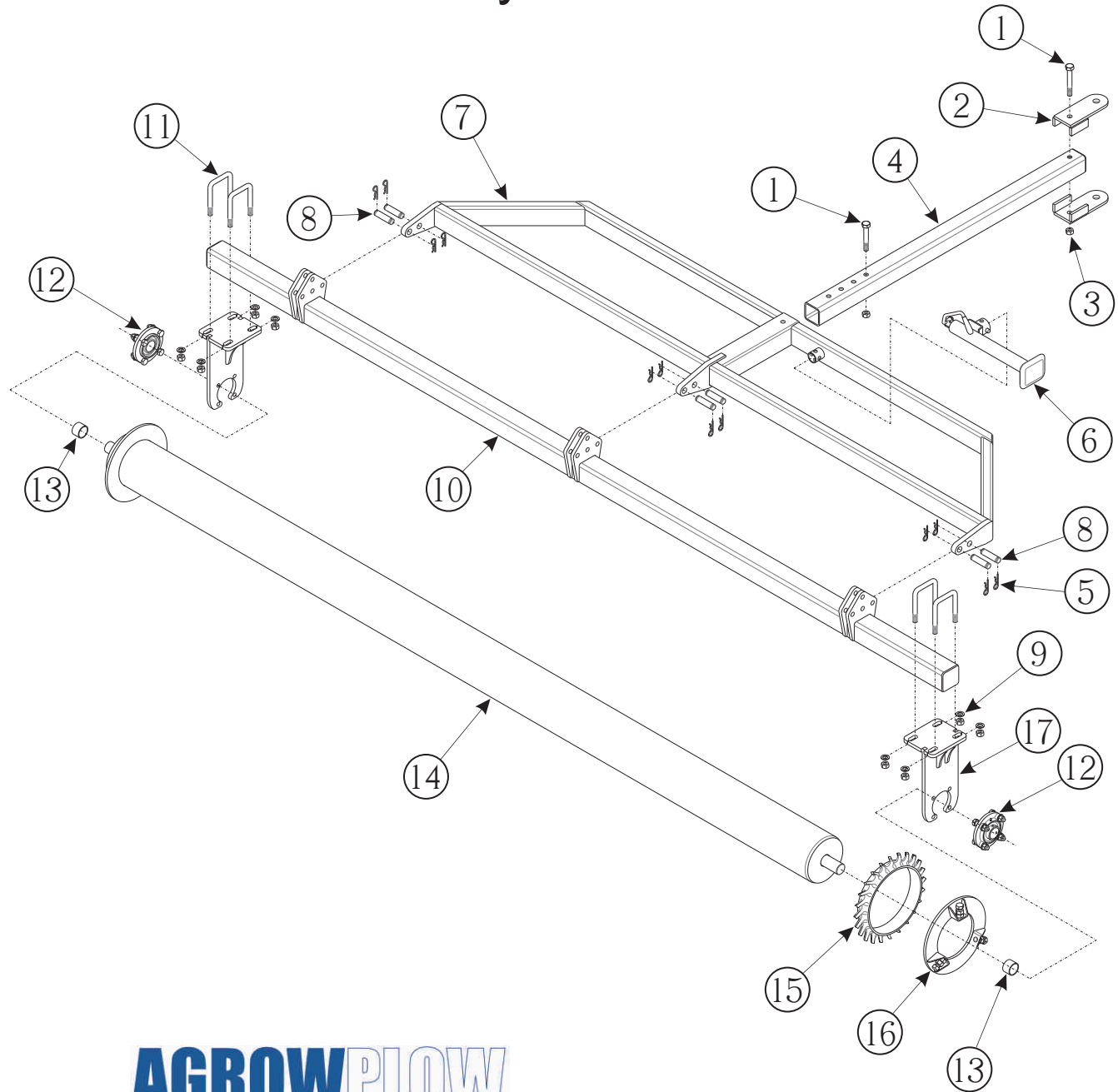
**AGROWPLOW**



**AGROWPLOW**  
**FLEXI-ROLLER**  
**AF 2500 - AF 6250**

# Frame Assembly

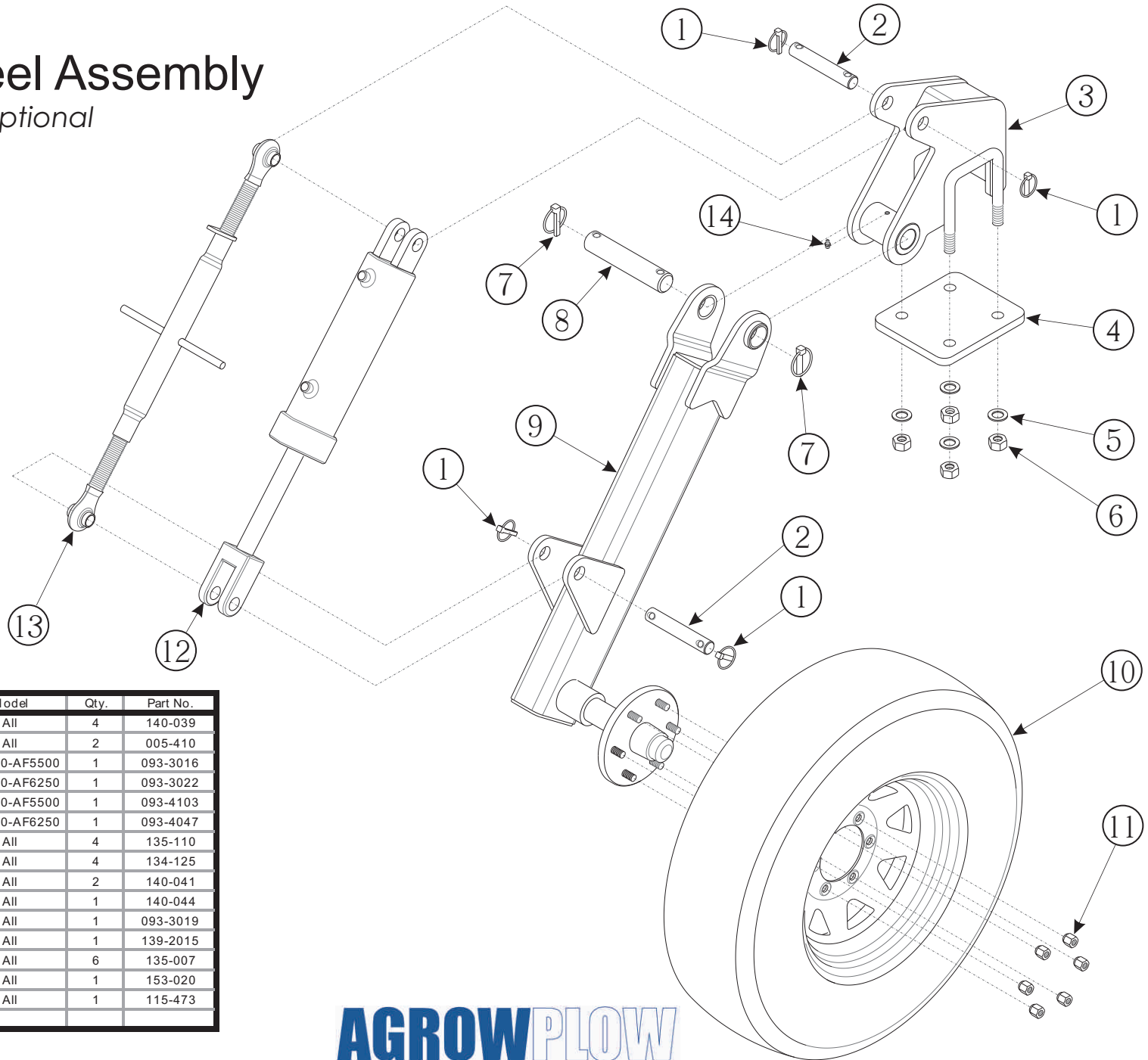
Item No.	Description	Model	Qty.	Part No.
1	Bolt 3/4" UNC x 5 1/2"	All	2	133-420
2	Yoke Plate	All	2*	093-3015
3	Nut 3/4" UNC	All	2	134-125
4	Pull Bar	AF2500-AF4000	1	093-4016
		AF4500-AF5500	1	093-4016/1
		AF6000-AF6250	1	093-4016/2
5	R' Clip	All	12	140-4012
6	Jack Stand	All	1	112-001
7	Tow Frame	AF2500-AF3250	1	093-3029
		AF3500-AF6250	1	093-3012
8	Pin	All	6	140-120
9	3/4" Washer	All	14	135-110
10	Carrier Bar	AF2500	1	093-3030/25
		AF3000	1	093-3030/30
		AF3250	1	093-3030/32
		AF3500	1	093-3011/35
		AF4000	1	093-3011/40
		AF4500	1	093-3011/45
		AF5000	1	093-3011/50
		AF5500	1	093-3011/55
		AF6000	1	093-3018
		AF6250	1	093-3026
11	U-Bolt 100 x 100 M20	AF2500-AF5500	4	130-100
	U-Bolt 150 x 150 M20	AF6000-AF6250	4	130-4008
12	Bearing Assembly	All	2	see page 4
13	Spacer	All	2	093-4020
14	Rotor	AF2500	1	093-3013
		AF3000		093-3032
		AF3250		093-3033
		AF3500		093-3034
		AF4000		093-3035
		AF4500		093-3036
		AF5000		093-3037
		AF5500		093-3038
		AF6000		093-3039
		AF6250		093-3027
15	Ring	All	*	093-3001
16	Stopper Ring	All	1	see page 5
17	Hanger	All	2	093-3010



**AGROW** PLOW

# L.H. Wheel Assembly

Optional

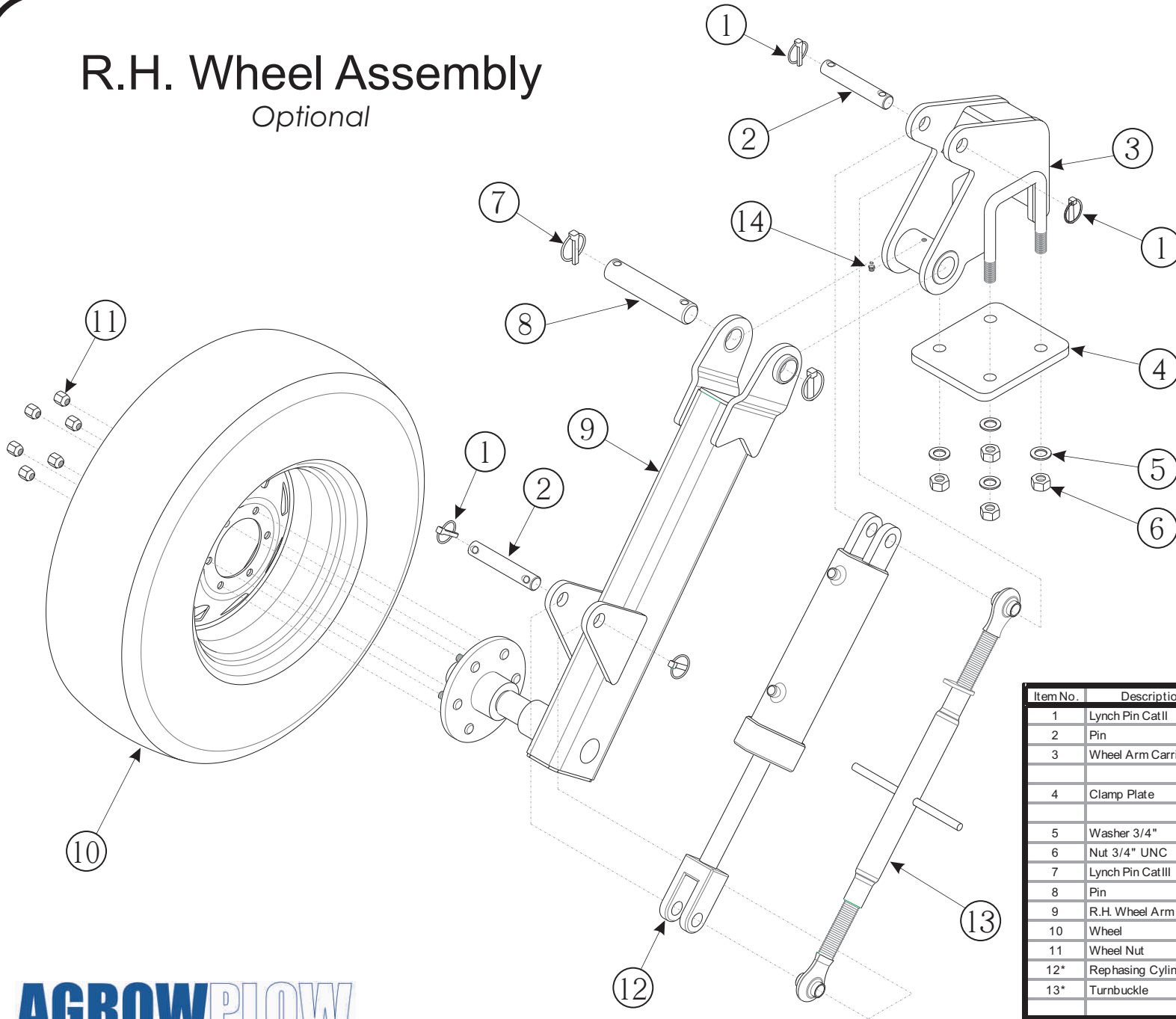


Item No.	Description	Model	Qty.	Part No.
1	Lynch Pin CatII	All	4	140-039
2	Pin	All	2	005-410
3	Wheel Arm Carrier	AF2500-AF5500	1	093-3016
		AF6000-AF6250	1	093-3022
4	Clamp Plate	AF2500-AF5500	1	093-4103
		AF6000-AF6250	1	093-4047
5	Washer 3/4"	All	4	135-110
6	Nut 3/4" UNC	All	4	134-125
7	Lynch Pin CatIII	All	2	140-041
8	Pin	All	1	140-044
9	L.H. Wheel Arm	All	1	093-3019
10	Wheel	All	1	139-2015
11	Wheel Nut	All	6	135-007
12*	Rephasing Cylinder	All	1	153-020
13*	Turnbuckle	All	1	115-473

**AGROWPLOW**

# R.H. Wheel Assembly

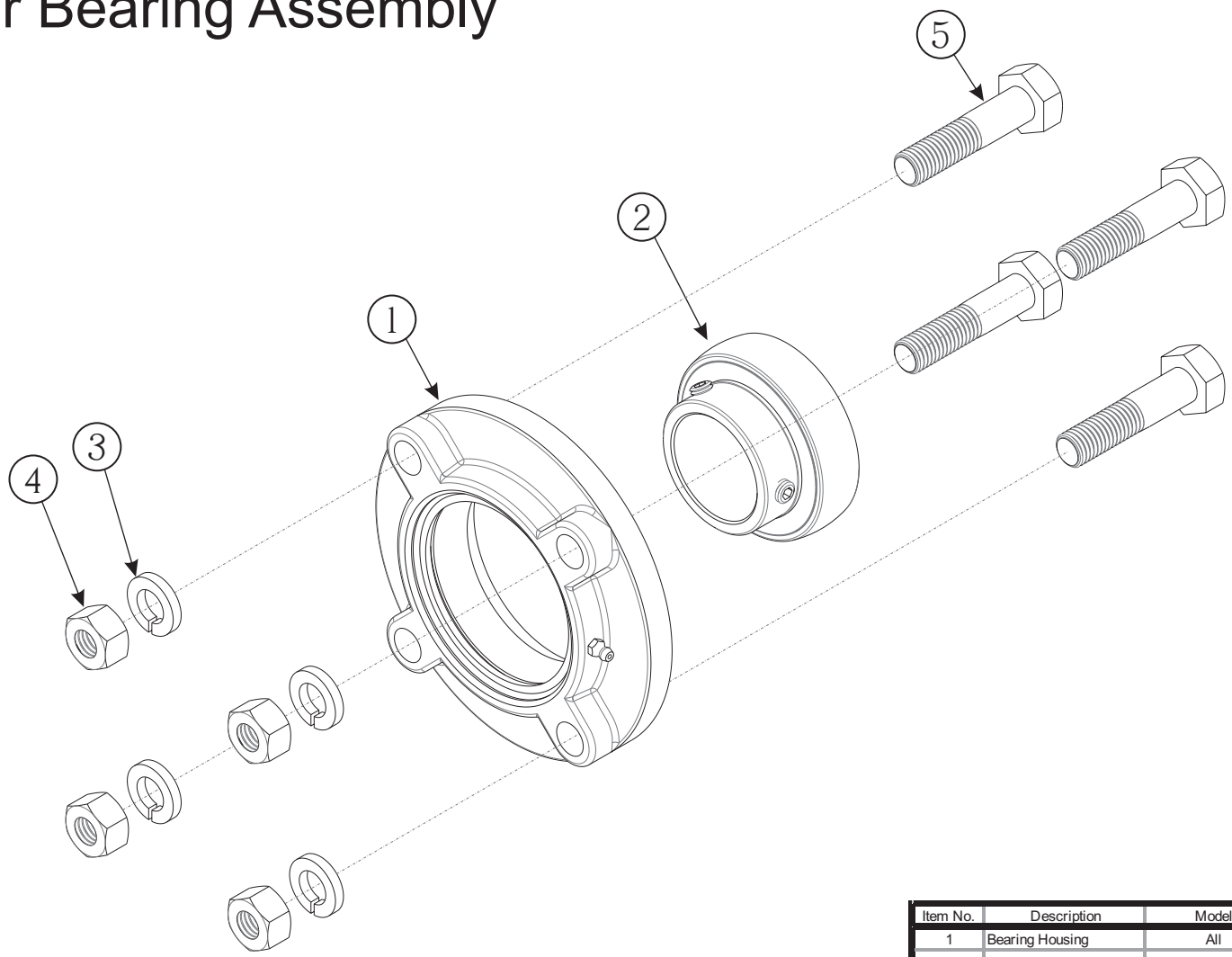
Optional



Item No.	Description	Model	Qty.	Part No.
1	Lynch Pin Cat II	All	4	140-039
2	Pin	All	2	005-410
3	Wheel Arm Carrier	AF2500-AF5500	1	093-3016
		AF6000-AF6250	1	093-3022
4	Clamp Plate	AF2500-AF5500	1	093-4103
		AF6000-AF6250	1	093-4047
5	Washer 3/4"	All	4	135-110
6	Nut 3/4" UNC	All	4	134-125
7	Lynch Pin Cat III	All	2	140-041
8	Pin	All	1	140-044
9	R.H. Wheel Arm	All	1	093-3017
10	Wheel	All	1	135-007
11	Wheel Nut	All	6	139-1035
12*	Rephasing Cylinder	All	1	153-017
13*	Turnbuckle	All	1	115-473

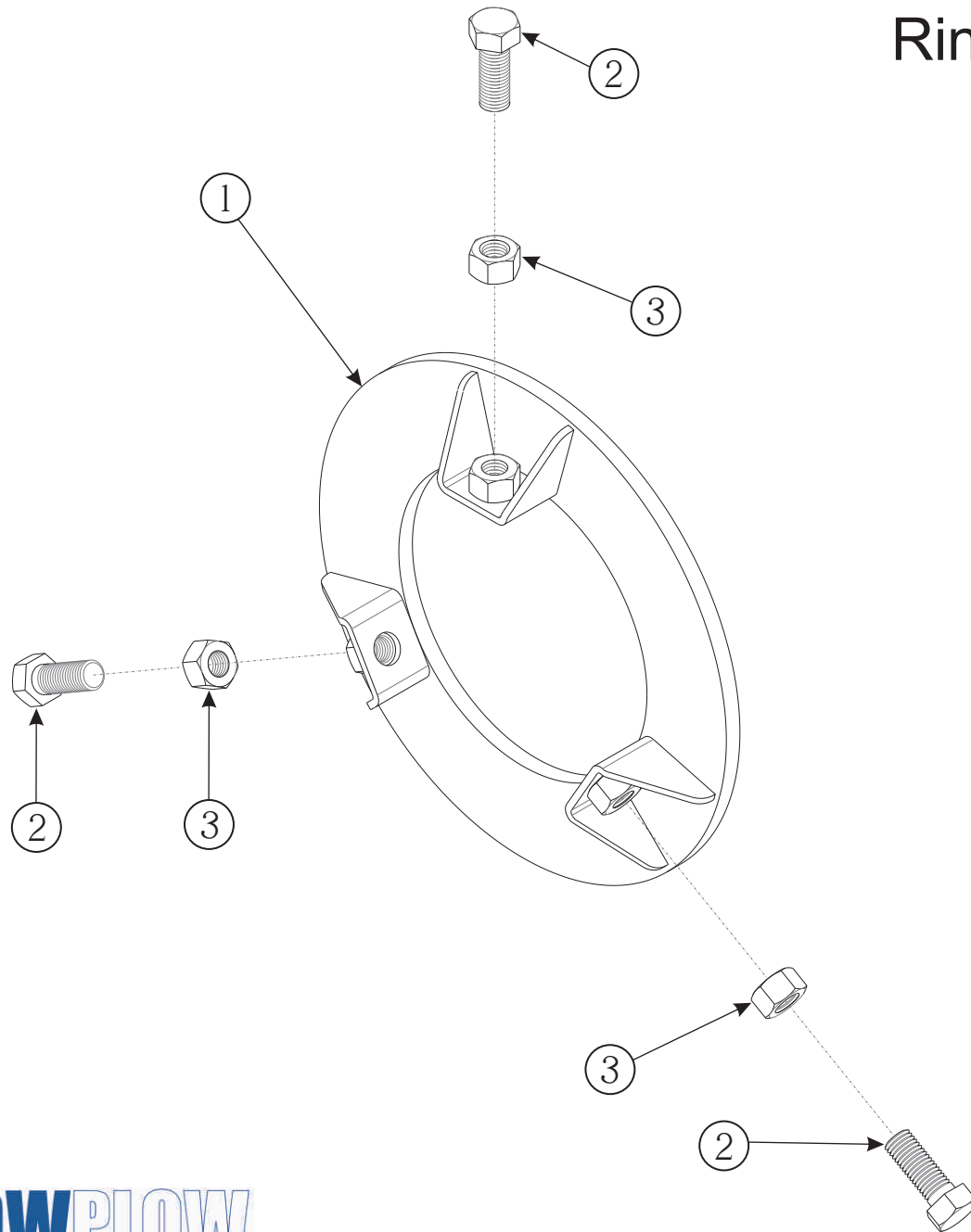
**AGROW**PLOW

# Outer Bearing Assembly



Item No.	Description	Model	Qty.	Part No.
1	Bearing Housing	All	2	138-052
2	Bearing	All	2	115-704
3	5/8" Spring Washer	All	1	135-070
4	5/8" UNC Nut	All	1	134-090
5	Bolt 5/8" UNC x 2 1/2"	All	1	133-260

# Ring Stopper Assembly



Item No.	Description	Model	Qty.	Part No.
1	Stopper Plate	All	1	093-3014
2	Bolt 3/4" UNC x 2 1/2"	All	3	133-350
3	Nut 3/4" UNC	All	3	134-120