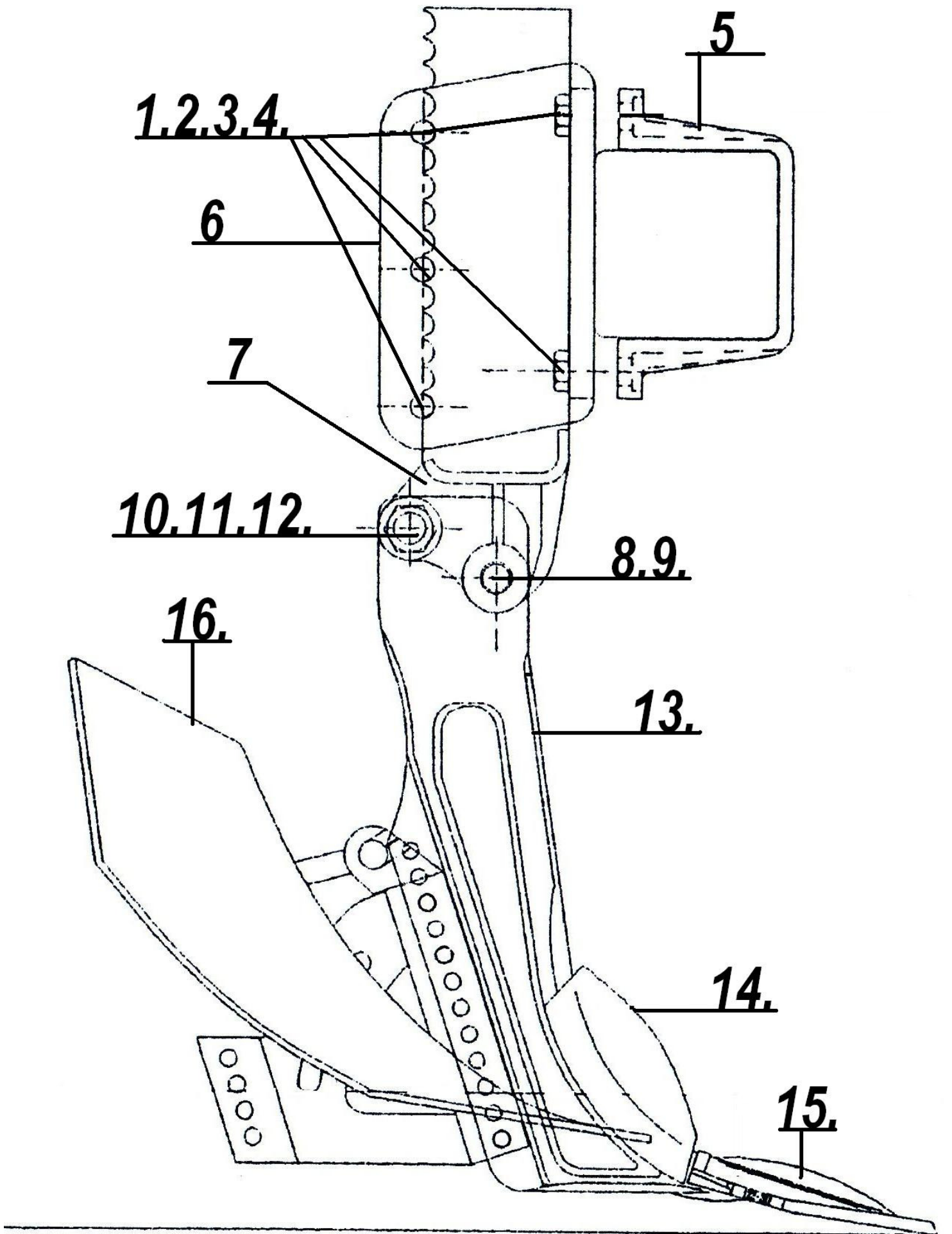


SHARK'S TOOTH ASSEMBLIES.



SHARK'S TOOTH ASSEMBLIES SHORT AND LONG

ITEM#	DESCRIPTION	QTY	PART No.	PART No.
	6"X6" ASSEMBLIES		SHORT	LONG
	SHORT & LONG		111-2020	111-2022
1	BOLT 3/4" X 3 1/2" UNC	7	133-390	133-390
2	WASHER 3/4" IND GAL	7	135-110	135-110
3	WASHER 3/4" SPRING	7	135-090	135-090
4	NUT 3/4" UNC	7	134-120	134-120
5	U-CLAMP 6"X 6"	1	020-2005	020-2005
6	6" X 6" CLAMP	1	111-3023	111-3028
7	SHARK'S TOOTH CARRIER	1	111-3024	111-3024
8	SHEAR PIN	1	141-4011	141-4011
9	SHEAR PIN CLIPS	1	141-019	141-019
10	BOLT 1" X 4" UNC	1	133-460	133-460
11	WASHER 1" SPRING	1	135-140	135-140
12	NUT 1" UNC	1	134-170	134-170
13	SHANK 24"	1	121-1024	121-1024
14	SHIN GUARD	1	121-2002	121-2002
15	AP3 BLADE TUNGSTEN TIPPED	1	122-033	122-033
16	HILLER FURROWER ASSY.	ASSY	123-003	123-003
	OPTIONAL BLADES			
	AP3 BLADE EXTRA HARDFACED		122-035	122-035
	AP3 BLADES PLAIN		122-2001	122-2001
	ACCESSORIES			
	REPAIR RIB (Rear of shank)		111-313	111-313
	WELD ON REPAIR BASE		121-2005	121-2005
	MULCH BLADE ASSY.		123-001	123-001