

**P10R**  
User manual

The SPERAS P10R is a high lumen flashlight with a maximum output of 8000 lumens a 3 piece Luminus-LEDs and an advanced circuit design. It has a dual metal side switch, with a button to adjust the brightness level, and a button for instant Turbo, Strobe and SOS modes. Powered by a battery pack(2\*21700 4000mAh batteries), makes it ideal for search and rescue, patrol, hunting and other outdoor applications.

### Features

- ▣ A high lumen output 8000lm with a compact and exquisite appearance;
- ▣ Great heat dissipation integrated design;
- ▣ Excellent user interface with dual metal side switch for multiple functions;
- ▣ Advanced Temperature Regulation (ATR) technology, accurate power indication, low battery voltage and reverse load protection;
- ▣ Supports 5V/2A fast charging, with micro USB, to reduce charging time;
- ▣ Extended run time with battery pack (7.2V/4000mah) provides a maximum ECO(100lm) run time up to 36hours
- ▣ A high-strength aerospace aluminum body with premium Type III hardened anodized anti-abrasive finish for extreme durability.

### Specifications

FL 1 STANDARD	Turbo	High	Medium	Low	ECO	Strobe	SOS
Output	8000LM (1550LM)	3000LM (1550LM)	1500LM	500LM	100LM	8000LM	500LM
Runtime	70S+ 130M	10M+ 128M	160Min	8.1H	36H	-	-
Beam Intensity	85.760cd	26.440cd	13.400cd	4272cd	796cd	-	-
Beam Distance	513m	325m	232m	131m	56m	-	-
LED	LUMINUS LED						
Impact Distance	1.5m						
Waterproof	IP68 (2 meter submersible)						

- ▣ Operation Voltage: 6-8.4V
- ▣ Reflector: Reflector with orange peel performance.
- ▣ Glass: toughened glass with double coated AR film.
- ▣ Battery: battery pack(2\*21700,7.2V/4000mAh) or 2\*21700 batteries  
(Please note that if used with 2 separate 21700 batteries, the voltage may be unbalanced when charged with a micro USB. Ensure that the two batteries have the same voltage before use in the tube of the flashlight)
- ▣ Material: Aerospace aluminum alloy body in military-III hardened anodized finish
- ▣ Switch: Dual metal side switch
- ▣ Size: 226mm(L), Ø60mm(Head), Compartment: Ø27mm
- ▣ N.G: 450g/15.87oz (including battery pack)

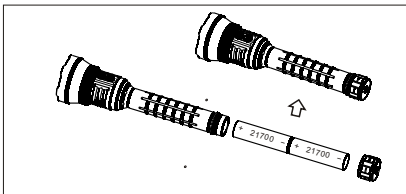
**Note:**  
The above data has been measured in accordance with international flashlight testing standards ANSI/NEMA FL1 using one Lithium battery pack (7.2V/4000mAh) under laboratory conditions. The data may vary slightly during actual use due to battery type, individual usage habits and environmental factors.

### Accessories

- 1\*P10R flashlight
- 1\*Battery pack(21700 7.2V/4000mAh)
- 1\* Holster
- 1\*Micro USB cable
- 2\* O-ring
- 1\*User manual

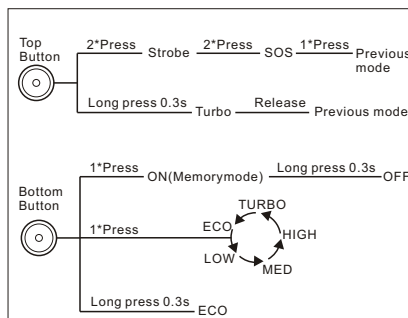
### Operation Guide

1. Correctly insert the battery pack as per below graphic ONE.



### 2. Setting operation

- ▣ **a. Top Button:**
  - 1.) Quick double press will activate the strobe and another quick double press will enter the SOS mode. Press once (any switch) to go back to the previous state.
  - 2.) In ON/OFF state, long press for 0.3s, of the top button will enter the turbo mode. Release the switch to revert back to the previous state.
- ▣ **b. Bottom Button:**
  - 1.) ON/OFF: In the OFF state, press the bottom button to enter the memory mode, Long press the bottom button for 0.3s to turn off the flashlight.
  - 2.) To change the mode: In the ON state press the bottom button to instantly change the mode. The mode will circle from ECO, LOW, MEDIUM, HIGH, TURBO with clicks.
  - 3.) ECO mode: In OFF state, long press the bottom button to instantly activate the ECO mode.
- ▣ **c. Lock&unlock:**
  - 1.) Lock: In any state, Long press both buttons for 2 seconds at the same time. The flashlight will blink twice and then enter the lock state.
  - 2.) Unlock: Quickly press 3 times (any button). The flashlight will blink twice to show you that the flashlight is in the unlock state.



### 3. Recharging:

- ▣ a. The P10R utilizes 5A/2A power input. Open the USB rubber, insert the micro USB cable, connect your 5V/2A adapter to charge. After 4.1 hours it will be fully charged. Unplug the micro usb cable and close the rubber.
- ▣ b. When charging the indicator light will be Red and will turn Green once finished. If abnormal the light will be Orange.  
**Note:** We kindly suggest that only the included battery pack (7.2V/4000mah) to be used for charging. Do not use the flashlight when charging.

### 4. Battery Indication:

- ▣ When the flashlight is turned ON, the LED indicator (embeds on the reverse side of the top switch) will automatically monitor the power constantly.
  - 1) Battery capacity ≥ 70%, Green LED
  - 2) 70% ≤ Battery capacity < 70%, Orange LED
  - 3) Battery Capacity < 30%, Red LED
  - 4) Battery capacity < 10%, the red LED will blink.

### Usage and Maintenance

- ▣ The temperature on the surface of the torch may increase during use, especially during periods of continuous high lumen output. The maximum safe operating temperature on the surface is 55°C.
- ▣ Please fully charge battery before initial use. Included battery is charged to less than 50% for safer shipping.
- ▣ To maintain the waterproof rating, please lubricate the O-ring with silicone safe lubricant and replace broken O-rings as needed.
- ▣ Do not shine light directly into eyes.
- ▣ For long-term storage, please remove the battery and store in a cool and dry place.

### Warranty

- ▣ The product is provided with a 5-year life warranty.
- ▣ The warranty does not cover normal wear and tear, modifications, misuse, disintegrations, negligence, accidents, improper maintenance, or repairs by anyone other than an authorized retailer or SPERAS itself.
- ▣ For more details on warranty please email us: info@speraslight.com.



**Shenzhen Speras Lighting Co., Ltd**  
 Add.: 4F, Building G, Gangshen Innovation Park, Huanning Road, Dalang Street, Longhua District, Shenzhen, China.  
 Tel.: 0086-0755-2107 2597  
 Email: info@speraslight.com  
 Web: www.speraslight.com



摊开180x110mm 折后60x110mm  
157g铜版纸单黑双面印刷