

GENESIS G70 GRiP EXHAUST MODIFICATION GUIDE

FOR FIRST GENERATION 2019-2021 MODELS

The Genesis G70 GRiP Exhaust system for the 2019-2021 and 2022+ models are identical with the exception of the exhaust tips.

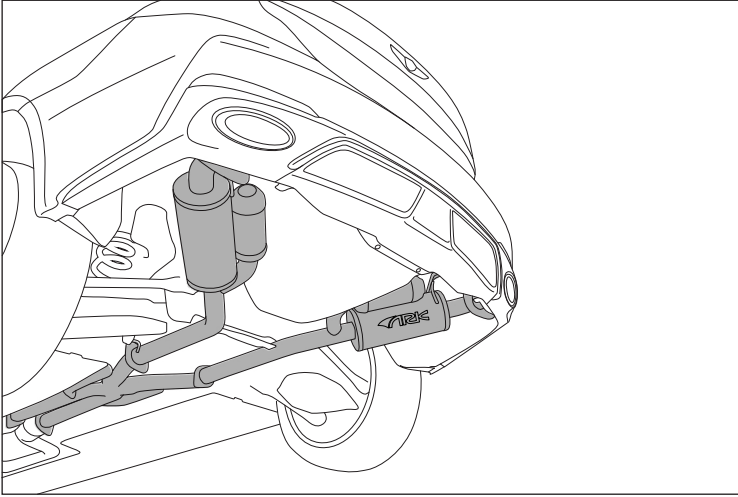
 **ATTENTION** 

Professional Installation is highly recommended.

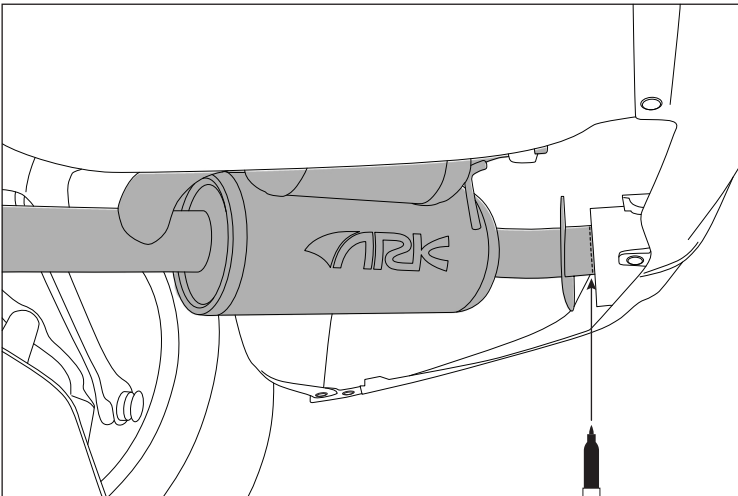
This technical guide will walk you through the entire process of making this exhaust system more compatible with your vehicle.

It is your responsibility to follow the instructions provided for this ARK Performance exhaust system and exercise all necessary safety precautions. ARK Performance assumes no responsibility for damages occurring from improper installation, operation, maintenance, or from incompatibility with other manufacturer's products.

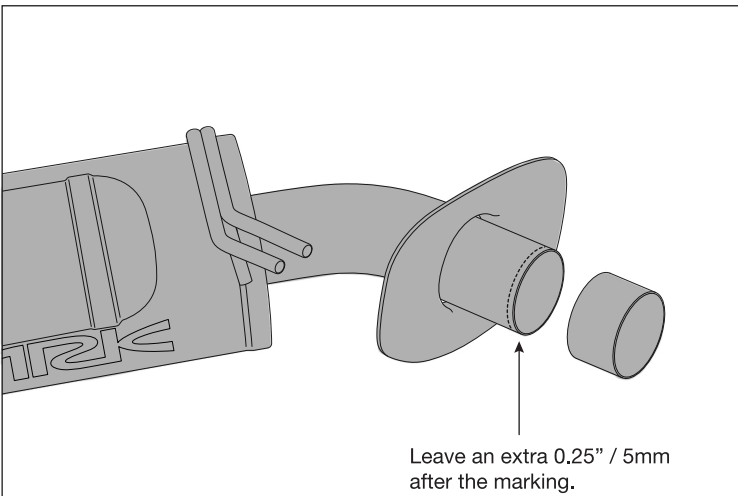
1. Remove stock / existing exhaust system from your G70.



2. Install the ARK Performance GRiP System onto your vehicle. Please install with the appropriate gaskets. The tips should extend well into the exterior exhaust tips built into your vehicle's diffuser.



3. Using a felt tip pen or marker, mark the GRiP System's piping at the edge of the inner exhaust tip. Take the mufflers off of the vehicle.



4. For the ideal cut, please cut a quarter inch or 5mm into the diffuser. This will allow the exhaust gas to expel safely past the diffuser.