




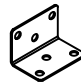


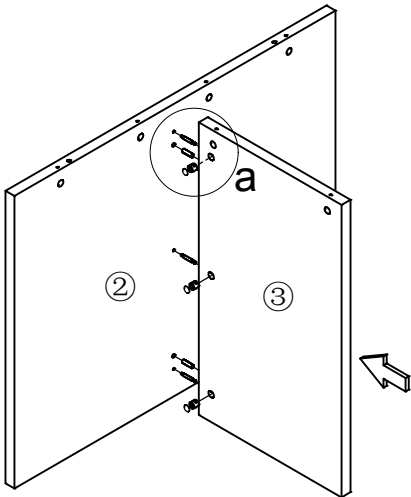


Assembly Instructions MODEL NO.: PIV-DSK-BUL-7236

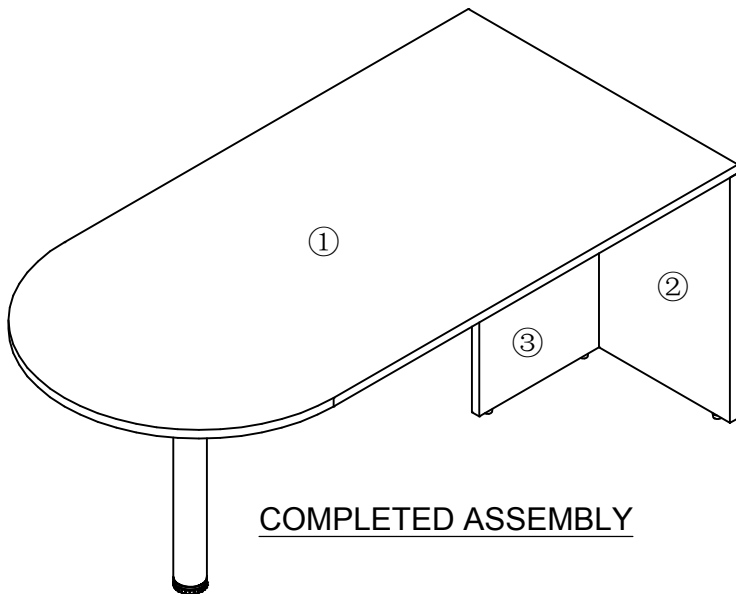
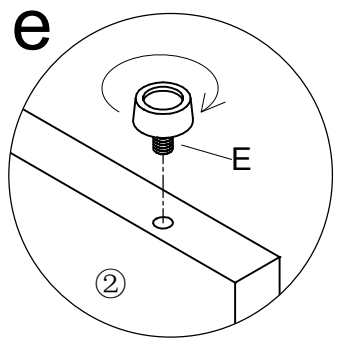
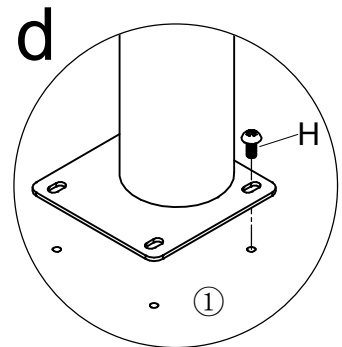
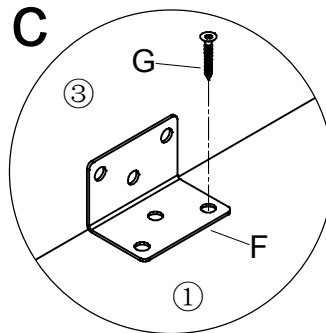
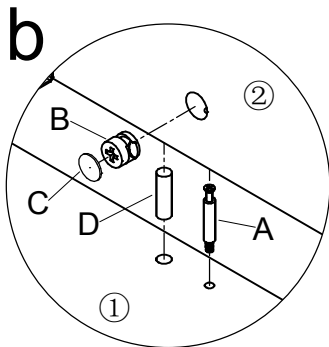
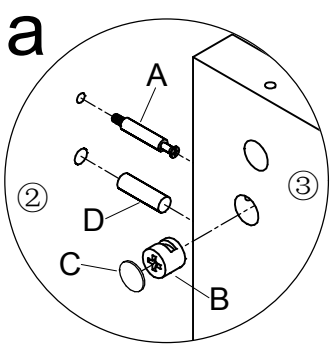
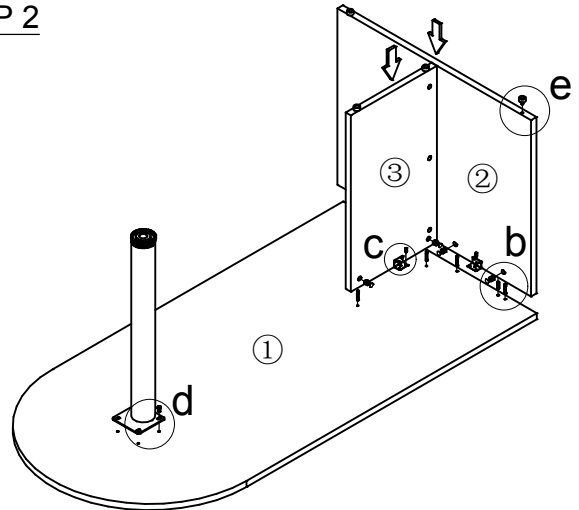
Bullet Desk

TUN010CL	TUN011KC		TUN026	TUN021AG	TUN013LB	TUN018SC	H
A 	B 	C 	D 	E 	F 	G 	H 
Cam lock 9 Pcs+1 Pcs(spare)	Klix Cam 9 Pcs+1 Pcs(spare)	Cam Cover 9 Pcs+1 Pcs(spare)	Dowel 4 Pcs+1 Pcs(spare)	Adjustable Glide 4 PCS	L-Bracket 4 PCS	screw #4*16 24 Pcs+1 Pcs(spare)	screw #6*15 4 Pcs+1 Pcs(spare)


STEP 1

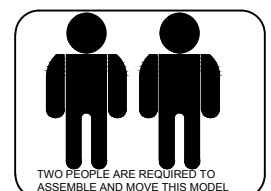


STEP 2



COMPLETED ASSEMBLY

IMPORTANT:
FUNCTION OF KLIX CAX
 1/4 RIGHT
TURN FOR
LOCKING
MAKE SURE THE ARROW IS
POINTING UPWARDS BEFORE
INSERTING INTO THE PANELS
HOLE



IMPORTANT NOTE:

- Place all wooden parts on clean and smooth surface such as a rug or carpet to avoid the parts from being scratched.
- Check to be sure that you have all parts and hardware.
- Remove all wrapping materials, including staples & packing straps before you start to assemble.
- Do not tighten all screws/bolts until all completely assembled.
- Keep all hardware parts out of reach of children.