

# BOOST 4WD

LiteHawk BOOST Instruction Manual



## How To Charge! Page 5

Litehawk Videos! Tech Support!  
Replacement Parts!  
Just a Mouse Click Away!

PLEASE DO NOT RETURN THIS PRODUCT TO ANY RETAIL STORE.

For any questions or problems with this product please call us at 1-800-268-5797  
or visit our website [www.litehawk.ca](http://www.litehawk.ca)

Made for and distributed by Borgfeldt (Canada) Limited 50 Konrad Cres., Markham, ON L3R 8T4

# LITEHAWK®

[www.litehawk.ca](http://www.litehawk.ca)

**LiteHawk BOOST Precautions** - The LiteHawk BOOST is not intended for children under the age of 14 unless closely supervised by an adult. Improper use may cause serious injury. Please read NIMH Battery section before use. Do not run in rain, snow or if there is lightning and/or thunder. Do not touch ANY moving parts while the model is powered.



**WARNING: CHOKING HAZARD** - Small parts. Not For Children under 3 years



**CAUTION:** Do not touch the running model! Adult supervision is required!



**CAUTION:** Never insert any sharp objects, pins or screws into the model as this may puncture the internal battery!

#### SAFETY PRECAUTIONS

- Keep hands, hair and loose clothing away from moving parts when the model is powered ON.
- Turn off controller/charger and BOOST when not in use.
- Remove battery from controller/charger when not in use.
- Parental guidance is recommended for use.
- Keep your BOOST in your sight so that you can supervise it at all times.
- New AA alkaline batteries are recommended for use in the controller to obtain maximum performance.
- Your charger is tailor made for the NIMH battery used in your LiteHawk BOOST. Do not use it to charge any battery other than that in the LiteHawk BOOST.

#### BATTERY SAFETY INFORMATION

- Requires 4 x 1.5V AA batteries (not included)
- Batteries are small objects.
- Replacement of batteries must be done by adults.
- Follow the polarity (+/-) diagram.
- Promptly remove dead batteries from the toy.
- Dispose of used batteries properly.
- Remove batteries for prolonged storage.
- DO NOT incinerate used batteries
- DO NOT dispose of batteries in fire, as batteries may explode or leak.
- DO NOT mix old and new batteries or different types of batteries (i.e. alkaline/standard)
- Always replace the whole set of batteries at one time.
- DO NOT short-circuit the supply terminals

#### CARE AND MAINTENANCE -

- Always remove batteries from the controller when it is not being used for a long period of time.
- Unplug battery from toy when not in use.
- Keep the toy away from direct heat or extreme cold.
- Do not expose the toy's interior to water or moisture. This can damage the electronic assemblies.

#### Your LiteHawk BOOST is equipped with a NIMH battery.

Special NIMH Battery Instructions:

- Never charge battery unattended.
- Charge battery in isolated area. Keep away from flammable materials.
- Do not expose to direct sunlight. There is a risk of the batteries exploding, overheating or igniting.
- Do not disassemble, modify, heat or short circuit the batteries. Do not place them in fires or leave them in hot places.
- Only charge the batteries with the specified battery charger.
- Only use the batteries in the device specified by LiteHawk.
- In the unlikely event of leakage or explosion use sand or a chemical fire extinguisher for the battery.
- Batteries must be recycled or disposed of properly.
- Do not leave plugged into model when not in use.
- Do not charge if battery or connector is wet.

#### Before charging the LiteHawk BOOST please read the following!

- DO NOT leave the battery unattended during charging.
- DO NOT leave the battery plugged into the charger any longer than 8 hours maximum. If the charging light does not turn green in this time, the charger or battery could be faulty - unplug immediately!
- DO NOT install another battery without letting the motor cool first! 5-10 minutes is sufficient.
- DO NOT recharge the battery until it is cool to the touch! 10 minutes is sufficient.
- DO NOT charge if the battery or connector are wet.
- Remove battery from model when charging.

# LITEHAWK

[www.litehawk.ca](http://www.litehawk.ca)

## Welcome to the World of LiteHawk!

Before we get ready for your first driving adventure, let's cover the basics together!

BOOST is a scaled down version of an Off Road Racer - it will speed across all types of terrain and thrill with big slides! The chassis is designed with 4-wheel independent suspension, 4WD and oil filled shocks that soak up bumps. Punch the throttle and race up to speeds of 50 km/h (35 mph)!

Attempting to use your LiteHawk BOOST without completely reading the manual may cause injury to yourself and people in the vicinity, as well as damage to the R/C model. Please read the Instruction Manual thoroughly before using this product.

### LiteHawk R/C Car and Truck Terms 101

**Transmitter:** The hand-held radio unit that sends throttle and steering inputs to your model. Also known as the radio or controller.

**Servo:** Small motor unit in your model that operates the steering mechanism.

**ESC:** The Electronic Speed Control provides digital proportional throttle control to the model's motor based upon your throttle input on the radio.

### LiteHawk BOOST - Transmitter Set Up

- Always use fresh AA batteries in the Pistol Grip Radio Controller (Transmitter).

- 1/ Make sure the transmitter is turned off.
- 2/ Remove the battery cover at the bottom of the Controller by pressing down and sliding the cover as marked.
- 3/ Insert 4 x AA batteries, noting correct polarity. (If you turn on the transmitter the indicator light will blink from red to green. If not check battery installation)
- 4/ Slide the battery cover back into place.

- ALWAYS REMOVE THE BATTERIES FROM THE TRANSMITTER WHEN YOU WILL NOT BE USING YOUR MODEL FOR LONG PERIODS OF TIME.

- Dispose and recycle correctly when there is no longer life in the batteries, they should be disposed of at an approved battery recycling center. DO NOT THROW IN HOUSEHOLD WASTE!

- Never expose the transmitter or batteries to moisture.

### LiteHawk BOOST - 2.4 Ghz

Your LiteHawk BOOST comes with a 2.4 Ghz radio system, which allows you to play without the fear of ever losing control! Race or play with countless other drivers. The range of your model is approximately 250ft which, due to its small size, is in excess of normal vision. The farther the model goes away from you the smaller it will become and the harder it will be to determine the model's direction We suggest you stay at a distance between 20ft-50ft, this keeps your BOOST within a safe operational distance.

**Quick Tip: always turn the transmitter on first and off last.**

# LITEHAWK®

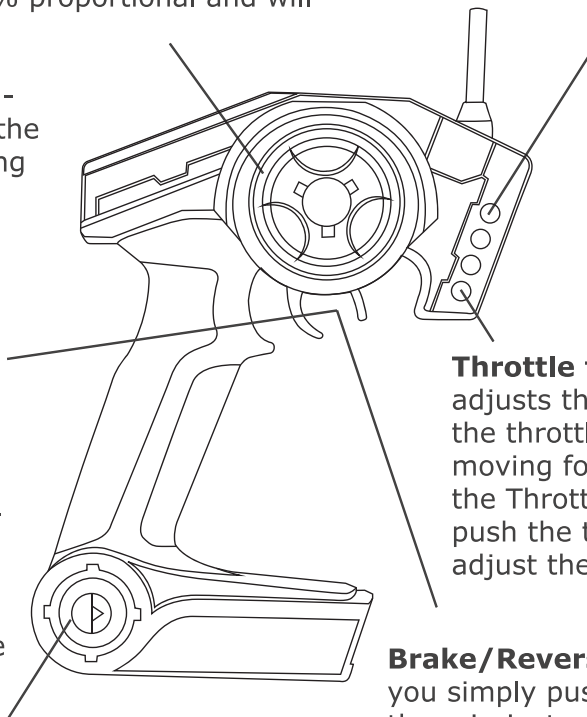
[www.litehawk.ca](http://www.litehawk.ca)

## LiteHawk BOOST - Controller Functions

**Steering:** The steering wheel controls the model's direction. Turn the wheel left to steer to the left. Turn the wheel to the right and the model will steer to the right. The steering is 100% proportional and will react to even slight inputs. The radio is designed to self-centre. Simply release the wheel from a steering input and it will go straight.

**Throttle:** Forward drive is initiated by pulling the throttle trigger towards the grip or handle like a trigger. The throttle is 100% proportional and will react to even slight input. Release the trigger to slow and stop the model.

**Power Button**



**Steering trim:** Steering Trim – Run your BOOST on a smooth level surface - your model should drive straight.

- If your model steers to the RIGHT, click the LEFT trim button a few times until your model runs straight.
- If your model steers to the LEFT, click the RIGHT trim button a few times until the model runs straight.

**Throttle trim:** The throttle trim adjusts the neutral (centre) point of the throttle control. If your model is moving forward or backwards when the Throttle Trigger is at neutral, push the trim button and this will adjust the neutral point.

**Brake/Reverse:** To initiate the brake you simply push the trigger away from the grip just past the neutral position. You will notice the model will stop much quicker. By pushing the trigger away from the grip a second time, reverse will be activated.

## LiteHawk BOOST - Battery & Charger

Your LiteHawk BOOST comes with an 7.2 Volt NIMH battery and a 120V wall mount charger.

### Battery:

The rechargeable NIMH battery provides the power to propel your model at high speeds. You should expect 5-8 min run time. Extra batteries are available at [www.litehawk.ca](http://www.litehawk.ca).

- Once the model starts to slow, drive your model to a safe place, walk over and turn it off.
- Never dead short a NIMH battery!
- You Must FULLY charge the battery before using your new model.
- Do not leave the battery plugged into the model when it is not being used.
- Keep the battery dry at all times.

# LITEHAWK<sup>®</sup>

[www.litehawk.ca](http://www.litehawk.ca)

# NIMH Battery and Charger Instructions:

Your New LiteHawk comes with a rechargeable NIMH 7.2 Volt battery. This battery powers the vehicle.

Please read the following information before using your new LiteHawk.

STEP 1: Remove the wall plug charger from the package and plug it into the wall. When plugged in a green LED light will come on.

STEP 2: Connect the 7.2 Volt battery to the charger. The green LED light will turn to red.

STEP 3: When the LED indicator light on the charger turns back to green, the battery is fully charged.

Charge times are (3.5-4.5hrs) do not leave on charge overnight. Battery should be unplugged from the charger after a maximum 8 hours.

STEP 4: Unplug the battery from the charger and remove the charger from the wall plug.

STEP 5: Install battery into your vehicle.

## Quick Tip!

LiteHawk replacement batteries and a quick charger will speed up the wait time between charges! Visit us at [www.litehawk.ca](http://www.litehawk.ca)

## During charging:

- It is normal for the battery to get warm during the charging process. **Do not charge the battery on a surface that is flammable or can be damaged by heat.**
- Do not leave the battery and charger unattended while charging.
- Do not store the battery plugged into the charger

## Installation of battery into the BOOST:

Place your BOOST on a clean flat surface. Avoid areas where small parts may be lost. The battery is housed in the battery compartment located on the left side of the chassis.

- Remove the body clips, lift off the body shell. You will see a velcro strip, this secures the battery in place.
- Place your fully charged battery in the battery slot, secure with velcro strip. Connect the red connector. Don't force it, it only goes one way!
- Replace the body and secure the body clips.

## How to Start!

LiteHawk BOOST is ready to use - however you must follow these steps carefully:

1. **Switch ON the transmitter.**
2. **Plug in the battery in the BOOST.**
3. **Turn the BOOST power switch ON. The red switch is located just ahead of the battery.**

# LITEHAWK<sup>®</sup>

[www.litehawk.ca](http://www.litehawk.ca)

## Battery Guidelines:

- The 7.2 Volt battery can be re-charged many times, however over time the battery will lose its' ability to take or hold a charge. At this point the battery will need to be properly recycled.
- Do not store or leave batteries in areas with extreme heat or cold. Batteries should be left and stored at room temperature.
- Always have the battery unplugged from the toy or charger when not being used.
- Do not submerge batteries under water. Always wipe off any water with a clean towel or rag.
- It is best to store the battery out of the toy and on a non-flammable surface.

## Before you drive:

Before every use it's recommended to check that the steering and drivetrain are moving freely and nothing is binding. Next ensure that the model and the transmitter are working correctly. Before you drive your model, range test the radio system to ensure that it operates properly! Turn on the transmitter and then the model, check its operating as it should. Walk away from the model giving steering input with the radio until you reach the maximum distance you are planning to drive your model. If you lose input control walk back towards the model. You now know the safe operating distance for your immediate environment. Do not attempt to operate the model if there is any problem with the radio system/external interference with your radio signal at your location.

## Let's hit the road!

When heading out to drive your model, it's important to always use common sense. Your new Car/Truck is fast and at top speed you are covering over 32ft per second! For this reason it is best to stand in the middle of the area that you want to use your car. Doing this will keep the Car/Truck closer to you and maximize the radio range. Driving in an abusive and or rough style will only result in damage, broken parts, or poor performance. The ESC system is not waterproof. Avoid driving through puddles, mud, or snow. If water gets into the electronics it could damage them.

- Avoid overloading your model. Never run it in areas where its movement will be restricted, e.g.thick grass, weeds, mud etc. as this can over stress the motor and bind the drivetrain.
- Ensure nothing prevents the smooth running of the moving parts.
- Do not run your model in confined spaces. **This is an outdoor toy, do not run in your home.**
- Never run your model in a public space where it might upset or endanger people or wildlife.
- Immediately discontinue use of your vehicle and transmitter if you see lightning or hear thunder. Never use your vehicle in the rain.
- Do not dismantle or tamper with this R/C vehicle or its transmitter. The manufacturer and distributor will accept no responsibility, expressed or implied, for accidents or injuries caused as a result of dis-assembly, modification and/or usage against the instructions for this product.
- The transmitter's range will vary depending on your surroundings and battery strength. Do not operate the model too far away or control could be lost (stay within 20-50 ft).
- Ensure that all batteries are correctly installed and that the NIMH battery is fully charged and in good condition.
- Do not touch ANY moving parts during operation.
- Don't run in public roads with traffic!
- If your Car/Truck becomes stuck against something, release the throttle. Do not continue to push the throttle or run the motor. Do not try to push, pull, or tow objects of any weight as this will increase heat in the electronics and cause failures.

# LITEHAWK<sup>®</sup>

[www.litehawk.ca](http://www.litehawk.ca)

## LiteHawk BOOST - After Use Care

1. When you have finished using your LiteHawk BOOST you should first disconnect the NIMH battery, then switch OFF the transmitter.
2. Remove the NIMH battery from the vehicle.
3. Place body clips back on the vehicle to avoid loss.

## Care and Maintenance:

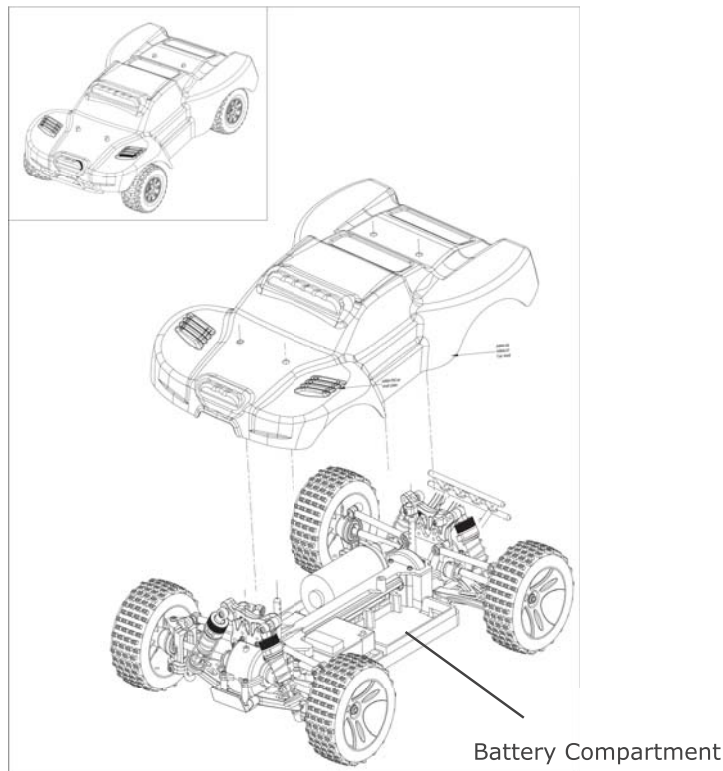
When you are finished running your model for the day, blow it off with compressed air or use a soft bristled paint brush to dust-off the vehicle. Always disconnect and remove the battery from the model whenever the model is stored.

Your model is going to require maintenance in order to stay in tip top running order. Check for the following:

1. Check the wheels and steering for binding.
2. Check the tightness of the wheel nuts with the wheel wrench.
3. Look for any cracked, bent, or damaged parts
4. Check for any loose screws in the chassis structure or suspension
5. Inspect the gears for wear, broken teeth.
6. Dirt and debris left to accumulate will lead to reduced run times, slower speeds and possible failure of parts/pieces of your car or truck.
7. Shock Absorbers: Check for any leaks and that the shock shafts are moving freely.
8. Check the wiring for any fraying or loose connections.

## LiteHawk BOOST - Storage

- Remove all batteries before storing your vehicle.
- Never store your LiteHawk BOOST near open flames, in high temperatures (including near radiators) or in direct sunlight. Ideally, place the model in a warm dry location.
- Care must be taken when handling rechargeable batteries to avoid the possibility of injury and/or damage to property.



# LITEHAWK<sup>®</sup>

[www.litehawk.ca](http://www.litehawk.ca)

## LiteHawk Parts & Tech

There's nothing worse than buying a new toy, having a question, or needing a replacement part, and then being left out in the cold. No worries! We pride ourselves on the very best customer service!

We have all the parts you'll ever need to keep your new LiteHawk in tip top shape! Like we always say, "accidents happen, even to the best of us"...with that in mind [www.litehawk.ca](http://www.litehawk.ca) is available 24 hours a day, 7 days a week! Our technical personnel are just a phone call away! Monday to Friday 8:30am to 4:00pm EST. 1-800-268-5797 toll free in North America!

We ship your parts Same Day! Except weekends of course - that's when we are out playing too!

## LiteHawk Guarantee

All LiteHawk products have been tested and designed to perform as claimed out of the box. If you have an issue with a product or part of a product please contact us directly. We cover claims towards manufacturing defects. We know that there is nothing worse than having a question or needing a replacement part and having nowhere to go. LiteHawk is not responsible for covering the costs of replacement parts or repair on products that have been damaged due to product use.



## LiteHawk Forum

Trust us, this is no ordinary forum! Staffed by a full team of LiteHawk Moderators whose backgrounds range from Engineering, Component Design, Forum Management, R/C Build and Development....professionally, you are in good hands. We cover everything under the LiteHawk sun! Do-It-Yourself Guides, common questions, Tips and Tricks, User Custom Mods...that's just the beginning, really!

It all has to do with community and we want you to see for yourself! With millions of views to date, we're doing something right!

Oh, Contests. We love to give away stuff, everything that we make is up for grabs. Contests are run at least once per month, so it's a great way to meet everyone and have some fun too!



See all of our Litehawk products in action! Everything from videos that show LiteHawks in their natural environments - flying, sailing, power boating....to helpful In-Depth product information too! It's all just a mouse click away!



Get the inside scoop - by joining LiteHawk INSIDER e-BOOSTin!

Keep up to speed with our newest product releases - we have some great stuff just around the corner! Ever missed a Forum contest, simply because it happened so fast? Heck, it was over before you even got to the party! LiteHawk will never, ever share your email address - it's private and we respect that.

# LITEHAWK<sup>®</sup>

[www.litehawk.ca](http://www.litehawk.ca)



# BOOST 4WD

Guide d'utilisation du LiteHawk BOOST



## Mode de chargement! Page 5

Vidéos du LiteHawk! Soutien technique!  
Pièces de rechange!  
Tout cela à portée d'un clic de souris!

VEUILLEZ NE PAS RETOURNER CE PRODUIT À UN MAGASIN DE DÉTAIL.

Si vous avez des questions à poser ou des problèmes à rapporter relativement à ce produit, veuillez nous appeler au 1 800 268-5797 ou consulter notre site Web [www.litehawk.ca](http://www.litehawk.ca).

Fabriqué pour et distribué par Borgfeldt (Canada) Limited, 50 Konrad Crescent, Markham (Ontario) L3R 8T4

# LITEHAWK®

[www.litehawk.ca](http://www.litehawk.ca)

**LITEHAWK BOOST- CONSIGNES DE SÉCURITÉ :** Le LiteHawk BOOST n'est pas conçu pour être utilisé par des enfants âgés de moins de 14 ans, sauf s'ils sont surveillés étroitement par un adulte. Tout mésusage peut causer de graves lésions. Veuillez lire la section sur la batterie NIMH avant toute utilisation. Ne pas le faire fonctionner sous la pluie, la neige ou lorsqu'il y a de la foudre ou du tonnerre. Ne toucher AUCUNE pièce mobile lorsque le modèle est sous tension.



**MISE EN GARDE! Danger d'étouffement** –petites pièces. Ne convient pas aux enfants âgés de moins de 3 ans



**ATTENTION!** Ne pas toucher le modèle en mouvement. La supervision d'un adulte est requise!



**ATTENTION!** Ne jamais insérer un objet acéré, une épingle ou une vis dans le modèle, car cela risque de perforer la batterie interne!

**CONSIGNES DE SÉCURITÉ**

- Tenir les mains, les cheveux et tout vêtement ample loin des pièces mobiles lorsque le modèle est en MARCHÉ.
- Éteindre la télécommande, le chargeur et le BOOST lorsque ceux-ci ne sont pas utilisés.
- Enlever les batteries de la télécommande ou du chargeur lorsque ceux-ci ne sont pas utilisés.
- La surveillance parentale est recommandée lors de l'utilisation.
- Gardez votre appareil BOOST en vue en tout temps.
- L'utilisation de piles alcalines AA neuves dans la télécommande est recommandée afin d'assurer des performances maximales.
- Votre chargeur mobile est conçu expressément pour charger la batterie NIMH utilisée dans votre LiteHawk BOOST. Ne l'utilisez pas pour charger une batterie autre que celle du LiteHawk BOOST.

**CONSIGNES DE SÉCURITÉ RELATIVES AUX PILES**

- Ce jouet requiert 4 piles AA de 1,5 V (non comprises)
- Les piles sont de petites pièces.
- Le remplacement des piles doit être effectué par un adulte.
- Respectez la polarité (+/-) indiquée.
- Retirez les piles usées sans délai du jouet.
- Éliminez les piles usées convenablement.
- Enlevez les piles si vous entreposez le jouet longtemps.
- NE PAS incinérer les piles usées.
- NE PAS jeter les piles au feu, car elles risquent d'exploser ou de laisser échapper leur contenu.
- NE PAS mélanger des piles neuves et des piles usées ou des types différents de piles (p. ex., alcalines et ordinaires)
- Toujours remplacer le lot complet des batteries en même temps.
- NE PAS court-circuiter les bornes d'alimentation.

**ENTRETIEN -**

- Enlevez toujours les piles de la télécommande lorsque celle-ci n'est pas utilisée pendant une longue période.
- Débranchez la batterie du jouet lorsque celui-ci n'est pas utilisé.
- Ce jouet craint la chaleur directe et le froid extrême.
- Ne pas exposer l'intérieur du jouet à l'eau ou à l'humidité, car celles-ci peuvent abîmer les dispositifs électroniques.

**Votre LiteHawk BOOST est muni d'une batterie NIMH**

Consignes spéciales pour la batterie NIMH :

- Ne jamais charger la batterie sans supervision.
- Charger la batterie dans un endroit à l'écart. Garder loin des matières inflammables.
- Ne pas exposer aux rayons directs du soleil. Les batteries risquent d'exploser, de surchauffer ou de s'enflammer
- Ne pas démonter, modifier, chauffer ou court-circuiter les batteries. Ne pas les mettre au feu ou les exposer à la chaleur.

- Uniquement charger les batteries au moyen du chargeur spécifié.
- Uniquement utiliser les batteries dans l'appareil spécifié par LiteHawk.
- Dans l'éventualité improbable d'une fuite ou d'une explosion, utiliser du sable ou un extincteur chimique sur la batterie.
- Les batteries doivent être recyclées ou éliminées convenablement.
- Ne laissez pas la batterie branchée sur le jouet lorsque celui-ci n'est pas utilisé.
- N'effectuez pas le chargement si les piles ou le connecteur sont mouillés.

**Avant de charger le LiteHawk BOOST, veuillez lire les consignes suivantes!**

- NE PAS laisser la batterie sans surveillance pendant qu'elle se charge.
- NE PAS laisser la batterie branchée dans le chargeur pendant plus de 8 heures maximum. Si le voyant de chargement ne passe pas au vert dans ce délai, il se pourrait que le chargeur ou la batterie soient défectueux – débrancher le tout immédiatement!
- NE PAS installer une autre batterie sans avoir laissé le moteur refroidir au préalable! Un intervalle de 5 à 10 minutes suffit.
- NE PAS recharger la batterie avant qu'elle ne soit redevenue froide au toucher! Un intervalle de 10 minutes suffit.
- N'effectuez pas le chargement si les piles ou le connecteur sont mouillés.
- Retirez la batterie du modèle lorsque vous la chargez.



## Bienvenue dans l'univers de LiteHawk!

Avant de nous préparer en vue de votre première aventure de conduite automobile, étudions ensemble quelques notions élémentaires!

Le BOOST est un modèle réduit d'un véhicule de course tout-terrain. Il se propulsera comme un bolide sur toutes sortes de terrains et il vous ravira avec ses dérapages prononcés! Le châssis est équipé d'une suspension à quatre roues indépendantes, d'une transmission à quatre roues motrices et d'amortisseurs à l'huile qui absorberont les bosses. Enfoncez l'accélérateur et faites la course à des vitesses pouvant atteindre 50 km/h (35 mi/h)!

Si vous essayez d'utiliser votre LiteHawk BOOST sans avoir lu le guide d'utilisation au complet, vous risquez de vous blesser et de blesser les gens dans les environs, ainsi que d'abîmer le modèle télécommandé. Veuillez lire le guide d'utilisation au complet avant d'utiliser ce produit.

## Vocabulaire de base des voitures et des modèles radiotéléguidés de LiteHawk

**Émetteur :** Appareil radio portable qui transmet les commandes de puissance et de direction à votre modèle. Également appelé « la radio » ou « le contrôleur ».

**Servo :** Petit module à moteur installé dans votre modèle, qui actionne le mécanisme de direction.

**ESC :** Le régulateur de vitesse automatique ou « ESC » assure la régulation numérique de la puissance fournie au moteur de votre modèle, proportionnellement au déplacement de la manette de commande de la puissance de la radio.

## LiteHawk BOOST – Configuration de l'émetteur

- Utilisez toujours des piles AA neuves dans la radiotélécommande à poignée-pistolet (l'émetteur).

- 1/ Assurez-vous que l'émetteur est éteint.
- 2/ Enlevez le couvercle du compartiment à piles dans la partie inférieure de la télécommande en appuyant sur le couvercle et en le faisant glisser tel que cela est indiqué.
- 3/ Insérez 4 piles AA en veillant à respecter la polarité indiquée. (Si vous allumez l'émetteur, le témoin clignotera du rouge au vert. Sinon, vérifiez que les piles sont convenablement installées.)
- 4/ Remettez le couvercle du compartiment des piles en le faisant glisser.

- ENLEVEZ TOUJOURS LES PILES DE L'ÉMETTEUR LORSQUE VOUS NE PRÉVOYEZ PAS UTILISER VOTRE MODÈLE PENDANT UNE LONGUE PÉRIODE.

- Éliminez et recyclez convenablement les piles usées; celles-ci doivent être éliminées dans un centre approuvé de recyclage de piles. NE LES JETEZ PAS AUX ORDURES!

- N'exposez jamais l'émetteur ou les piles à l'humidité.

## LiteHawk BOOST– 2,4 GHz

Votre appareil LiteHawk BOOST est vendu avec un système de radiotélécommande à 2,4 GHz conçu pour vous permettre de jouer sans la moindre crainte de perdre le contrôle de votre modèle! Faites la course ou jouez avec un nombre indéfini d'autres pilotes. Votre modèle a une portée d'environ 250 pi; étant donné sa faible taille, cela dépasse la portée visuelle normale. Plus votre modèle s'éloigne de vous, plus il devient petit et plus vous aurez de la difficulté à déterminer sa direction. Nous vous conseillons de le garder dans un rayon de 20 à 50 pi; votre BOOST restera ainsi à l'intérieur d'une distance d'utilisation sécuritaire.

**Conseil pratique : allumez toujours l'émetteur en premier lieu et éteignez-le toujours en dernier lieu.**

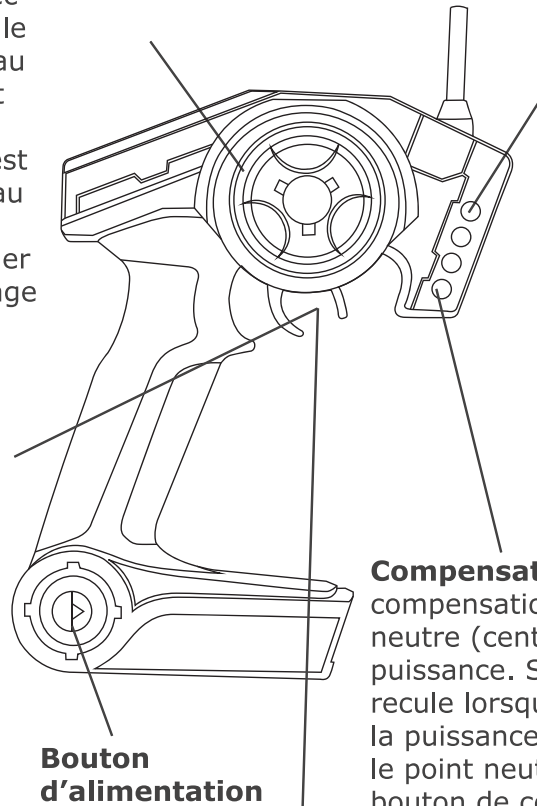
# LITEHAWK®

[www.litehawk.ca](http://www.litehawk.ca)

## LiteHawk BOOST - Fonctions de la télécommande

**Direction :** Le volant contrôle la direction du modèle. Tournez-le vers la gauche pour faire tourner le modèle à gauche. Tournez-le vers la droite et le modèle tournera à droite. La commande de direction est proportionnelle à 100 %; elle réagit au moindre déplacement du volant. La radiotélécommande est conçue pour revenir au centre automatiquement. Il suffit de lâcher le volant dans un virage pour reprendre une trajectoire rectiligne.

**Puissance :** Pour déclencher la marche avant, tirez sur le levier de commande de la puissance vers la poignée, tout comme sur une détente. La commande de puissance est proportionnelle à 100 %; elle réagit au moindre déplacement de la détente. Pour ralentir et arrêter le modèle, relâcher la détente.



**Bouton d'alimentation**

**Compensation directionnelle :** Faites rouler votre BOOST sur une surface horizontale lisse; votre modèle devrait se déplacer en ligne droite.

- Si votre modèle tourne légèrement vers la DROITE, appuyez à plusieurs reprises sur le bouton de compensation vers la GAUCHE, jusqu'à ce que votre modèle maintienne une trajectoire rectiligne.
- Si votre modèle tourne légèrement vers la GAUCHE, appuyez à plusieurs reprises sur le bouton de compensation vers la DROITE, jusqu'à ce que votre modèle maintienne une trajectoire rectiligne.

**Compensation de la puissance :** La compensation de puissance règle le point neutre (centre) de la commande de puissance. Si votre modèle avance ou recule lorsque le levier de commande de la puissance est au point neutre, réglez le point neutre en appuyant sur le bouton de compensation de la puissance.

**Frein/Marche arrière :** Pour freiner, il suffit de pousser le levier de commande de la puissance de manière à l'éloigner de la poignée, en dépassant légèrement le point neutre. Vous constaterez que le modèle s'arrête beaucoup plus rapidement. Si vous éloignez la détente de la poignée une deuxième fois, le modèle fera marche arrière.

## LiteHawk BOOST – Batterie et recharge

Le LiteHawk BOOST est fourni avec une batterie NIMH de 7,2 V et un chargeur mural de 120 V.

### Batterie :

La batterie NIMH rechargeable fournit la puissance permettant de propulser le modèle à haute vitesse. La durée de fonctionnement est d'environ 5 à 8 minutes. Il est possible de se procurer des batteries supplémentaires en consultant le site [www.litehawk.ca](http://www.litehawk.ca).

- Lorsque le modèle commence à ralentir, il convient de le conduire jusqu'à un endroit sûr, puis de l'éteindre.
- Ne jamais vider complètement une batterie NIMH!
- Il importe de recharger COMPLÈTEMENT la batterie avant d'utiliser un modèle neuf.
- Ne pas laisser la batterie branchée dans le modèle lorsqu'on ne l'utilise pas.
- Garder la batterie au sec en tout temps.

# LITEHAWK®

## Instructions relatives à la batterie NIMH et au chargeur :

Le LiteHawk est fourni avec une batterie NIMH de 7,2 V rechargeable. Cette batterie alimente le véhicule.

Prière de lire les renseignements suivants avant d'utiliser le LiteHawk :

ÉTAPE 1 : Sortir le chargeur mural de l'emballage et le brancher dans le mur. Un voyant DEL vert s'allume alors.

ÉTAPE 2 : Raccorder la batterie de 7,2 V au chargeur. Le voyant DEL vert passe au rouge.

ÉTAPE 3 : Lorsque le voyant DEL situé sur le chargeur revient au vert, la batterie est complètement chargée.

Le temps de chargement est de 3,5 à 4,5 h. Ne pas laisser le chargeur branché pendant la nuit. Débrancher la batterie du chargeur au plus tard 8 heures après l'avoir branchée.

ÉTAPE 4 : Débrancher la batterie du chargeur et le chargeur du mur.

ÉTAPE 5 : Insérer la batterie dans le véhicule.

### Conseil rapide!

L'utilisation de batteries de rechange LiteHawk et d'un chargeur rapide permet de réduire les temps d'attente entre deux charges! Consulter notre site Web à l'adresse [www.litehawk.ca](http://www.litehawk.ca)

### Pendant la charge:

- Il est normal que la batterie s'échauffe pendant la charge. **Pendant la charge, ne posez pas la batterie sur une surface inflammable ou susceptible d'être abîmée par la chaleur.**
- Ne pas laisser la batterie et le chargeur sans surveillance pendant la charge.
- Ne pas entreposer la batterie alors qu'elle est toujours branchée sur le chargeur.

### Installation de la batterie dans le modèle BOOST :

Posez votre modèle BOOST sur une surface plane et propre. Évitez les endroits où il serait facile de perdre les petites pièces. La batterie est installée dans le compartiment qui lui est réservé, sur le côté gauche du châssis.

- Détachez les attaches de la carrosserie puis enlevez la caisse de carrosserie. Vous verrez une bande Velcro conçue pour attacher solidement la batterie.
- Placez la batterie chargée à fond dans la rainure prévue; attachez-la au moyen de la bande Velcro. Branchez le connecteur rouge. Ne forcez pas sur le connecteur; il n'entre que dans un sens!
- Remettez la caisse de carrosserie en place, puis remettez les attaches de la carrosserie.

### Comment démarrer!

Le LiteHawk BOOST est prêt à être utilisé - toutefois, vous devez suivre attentivement les étapes suivantes :

1. Allumez l'émetteur.
2. Branchez la pile dans le BOOST.
3. Mettez l'interrupteur d'alimentation du BOOST sur la position ON (MARCHE). L'interrupteur rouge est situé juste devant la batterie.

# LITEHAWK®

[www.litehawk.ca](http://www.litehawk.ca)

## Lignes directrices concernant la batterie :

- Il est possible de recharger la batterie de 7,2 V à de nombreuses reprises. Ceci étant, au fil du temps, la batterie va perdre de sa capacité à se recharger ou à conserver sa charge. À ce stade, il importe de recycler la batterie comme il se doit.
- Ne pas entreposer ou laisser la batterie dans une zone extrêmement chaude ou froide. Il convient de l'entreposer à température ambiante.
- Veiller à toujours débrancher la batterie du jouet ou du chargeur lorsqu'on ne l'utilise pas.
- Ne pas immerger la batterie. Toujours essuyer les traces d'eau avec une serviette ou un chiffon propre.
- Il est préférable d'entreposer la batterie à l'extérieur du jouet et sur une surface ininflammable.

## Avant d'utiliser le modèle :

Avant chaque utilisation du modèle, nous vous recommandons de vérifier que la direction et la transmission se déplacent librement et que rien ne les coince. Vérifiez ensuite que le modèle et l'émetteur fonctionnent convenablement. Avant de piloter votre modèle, vérifiez la portée du système radio pour vous assurer qu'il fonctionne convenablement! Allumez l'émetteur, puis mettez le modèle en marche; vérifiez qu'ils fonctionnent comme ils le devraient. Éloignez-vous du modèle tout en actionnant la commande de direction au moyen de la radio, jusqu'à ce que vous atteigniez la distance maximale à laquelle vous prévoyez piloter votre modèle. Si vous perdez le contrôle des commandes, marchez vers le modèle. Vous savez maintenant quelle est la distance sécuritaire d'utilisation du système à l'endroit où vous vous trouvez. N'essayez pas d'utiliser le modèle si vous décelez le moindre problème de radio ou brouillage externe de votre signal radio à l'endroit où vous vous trouvez.

## En route!

Lorsque vous sortez pour piloter votre modèle, souvenez-vous de toujours faire preuve de bon sens. Votre nouveau véhicule est rapide. À sa vitesse maximale, il traversera 32 pieds en une seconde! Il vaut donc mieux vous tenir au centre de la zone où vous désirez utiliser votre véhicule. Vous garderez ainsi votre véhicule plus près de vous et vous maximiserez la portée de la radio. Piloter votre modèle de manière violente ou brutale entraînera à coup sûr des dommages, des bris de pièces ou de mauvaises performances. Le système de régulation automatique de la vitesse (ESC) n'est pas étanche. Évitez de passer dans les flaques, la boue ou la neige. Si de l'eau s'infiltré dans les dispositifs électroniques, elle pourrait les endommager.

- Évitez de surcharger votre modèle. Ne le faites jamais rouler sur un terrain où ses mouvements risquent d'être entravés (p. ex., herbes longues, mauvaises herbes, boue), car cela pourrait surcharger leur moteur et coincer la transmission.
- Assurez-vous que rien n'entrave les mouvements des pièces mobiles.
- N'utilisez pas votre modèle dans un espace exigü. **Ceci est un jouet pour l'extérieur, ne l'utilisez pas à l'intérieur.**
- N'utilisez jamais votre modèle dans un espace public où il risque de déranger ou de mettre en péril des personnes ou des animaux sauvages.
- Cessez immédiatement d'utiliser votre modèle et votre émetteur si vous voyez un éclair ou que vous entendez un bruit de foudre. N'utilisez jamais votre véhicule sous la pluie.
- Vous ne devez ni démonter ni trafiquer ce modèle téléguidé ou son émetteur. Le fabricant et le distributeur déclinent toute responsabilité, expresse ou tacite, quant aux accidents ou lésions découlant du démontage de ce produit, de sa modification ou d'une utilisation qui déroge aux instructions.
- La portée de l'émetteur variera selon votre environnement et l'état des piles. Ne laissez pas le modèle s'éloigner trop, car vous risquez d'en perdre le contrôle (gardez-le à l'intérieur d'un rayon de 20 à 50 pi).
- Assurez-vous que toutes les piles et la batterie sont convenablement installées; assurez-vous également que la batterie NIMH est chargée à fond et en bon état.
- Ne touchez AUCUNE pièce mobile lorsque le modèle fonctionne.
- N'utilisez pas votre modèle sur un chemin public ouvert à la circulation!
- Si votre véhicule se coince contre un obstacle, lâchez le levier de commande de la puissance. Ne continuez pas d'appuyer sur le levier de puissance ou de faire tourner le moteur. N'essayez pas de pousser, de tirer ou de remorquer une masse, quelle qu'elle soit, car cela surchauffera les dispositifs électroniques et cela provoquera des défaillances.

# LITEHAWK®

## LiteHawk BOOST – Entretien après chaque utilisation

1. Lorsque vous avez terminé d'utiliser votre LiteHawk BOOST, vous devez d'abord débrancher la batterie NIMH, puis éteindre l'émetteur.
2. Enlevez la batterie NIMH du véhicule.
3. Remettez les goupilles de retenue sur le véhicule afin d'éviter de les perdre.

## Care and Maintenance:

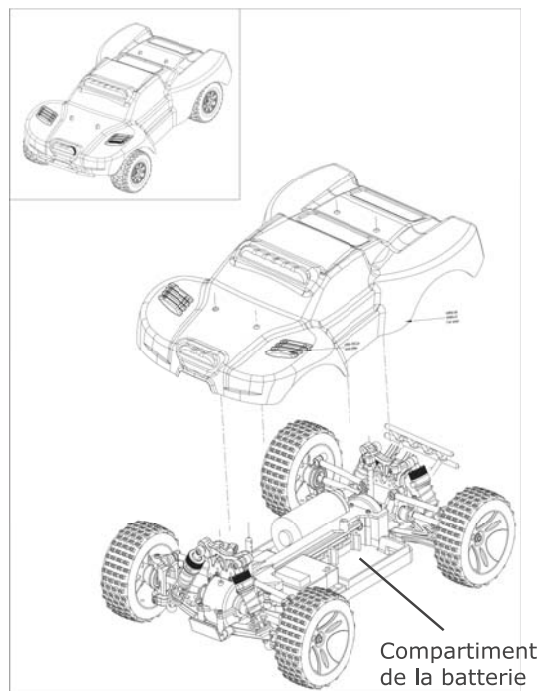
Lorsque vous avez terminé d'utiliser votre modèle pour la journée, dépoussiérez-le en vous servant d'air comprimé ou d'un pinceau à soies douces. Vous devez toujours débrancher et enlever la batterie du modèle chaque fois que le modèle est rangé.

Votre modèle exige un entretien régulier pour rester en parfait état de fonctionnement. Vérifiez les éléments suivants :

1. Vérifiez si les roues ou la direction se coincent.
2. Vérifiez que les écrous des roues sont convenablement serrés en vous servant de la clé pour écrous de roue.
3. Inspectez le modèle pour vérifier qu'aucune pièce n'est fendue, pliée ou abîmée.
4. Vérifiez qu'aucune des vis du châssis ou de la suspension n'est desserrée.
5. Inspectez les engrenages pour vérifier qu'aucune dent n'est usée excessivement ou brisée.
6. Les accumulations de saleté et de débris réduiront l'autonomie du modèle, le ralentiront et pourraient même provoquer la défaillance de pièces de votre véhicule.
7. Amortisseurs : Vérifiez qu'ils ne fuient pas et que les tiges se déplacent librement.
8. Inspectez les câbles afin de vous assurer qu'ils ne sont pas abîmés et que les connexions ne sont pas desserrées.

## LiteHawk BOOST – Entreposage

- Enlevez toutes les piles et la batterie avant d'entreposer votre véhicule.
- Ne rangez jamais votre LiteHawk BOOST à proximité de flammes ou de surfaces à haute température (notamment les radiateurs), ou dans un endroit exposé aux rayons directs du soleil. Idéalement, rangez le modèle dans un endroit tiède et sec.
- Lors du maniement des batteries rechargeables, prenez grand soin d'éviter tout risque de blessure ou de dommage matériel.



# LITEHAWK®

[www.litehawk.ca](http://www.litehawk.ca)

## Pièces et soutien technique LiteHawk

Après avoir acheté un nouveau jouet, rien n'est plus décevant que d'avoir une question à poser ou d'avoir besoin d'une pièce de rechange, mais d'être laissé en plan. Ne vous inquiétez pas! Nous nous targuons d'offrir à nos clients le meilleur service après-vente qui soit!

Nous avons toutes les pièces dont vous pourriez avoir besoin pour garder votre LiteHawk en parfait état! Comme nous le répétons, « les accidents arrivent, même aux meilleurs d'entre nous »... c'est pourquoi le site Web [www.litehawk.ca](http://www.litehawk.ca) est disponible 24 heures sur 24, 7 jours sur 7! Notre personnel technique est à portée de téléphone, du lundi au vendredi, de 8 h 30 à 16 h HNE! Composez sans frais (en Amérique du Nord) le 1 800 268-5797!

Nous expédions vos pièces le jour même! sauf les fins de semaine, évidemment – car nous aussi, nous aimons jouer dehors!

## Garantie LiteHawk

Tous les produits LiteHawk sont testés et conçus pour offrir les performances publiées dès la sortie de l'emballage. Si vous avez un problème avec un produit ou une pièce d'un produit, veuillez communiquer directement avec nous. Nous couvrons les réclamations pour vice de fabrication. Nous savons qu'il n'y a rien de plus décevant que d'avoir une question à poser ou d'avoir besoin d'une pièce de rechange, mais de n'avoir nulle part où s'adresser. LiteHawk décline toute responsabilité pour le coût des pièces de rechange ou des réparations faites sur les produits abîmés en conséquence de leur utilisation.



## Forum LiteHawk

Croyez-nous, ce forum n'a rien d'ordinaire! Il est animé par une équipe complète de modérateurs de LiteHawk, spécialisés en ingénierie, conception, gestion de forum, construction et mise au point de jouets télécommandés... - professionnellement parlant, vous êtes en bonnes mains. Nous couvrons tout sous le soleil LiteHawk! Guides de bricolage, foires aux questions, conseils et trucs pratiques, modifications et personnalisations des utilisateurs... à vrai dire, ce n'est que la pointe de l'iceberg!

C'est par-dessus tout une communauté et nous voulons que vous le constatiez vous-même! Avec plusieurs millions de vues à ce jour, nous devons être sur la bonne voie!

Et puis, parlons des concours. Nous aimons faire des cadeaux; tous les produits que nous fabriquons y passent. Nous organisons des concours au moins une fois par mois; c'est une excellente façon de rencontrer tout le monde et de s'amuser aussi!



Voyez tous les produits LiteHawk en action! Il y a de tout, depuis des vidéos montrant les produits LiteHawk dans leur milieu naturel – en vol ou propulsés par leurs voiles ou leur moteur – jusqu'aux renseignements utiles sur les produits! Tout cela est à portée d'un clic de souris!



Joignez les initiés en vous abonnant à notre BOOSTin électronique – LiteHawk INSIDER!

Tenez-vous au courant de nos lancements de nouveaux produits – nous sommes toujours sur le point de mettre des merveilles sur le marché! N'avez-vous jamais raté un concours tout simplement parce que tout s'est passé trop vite? La fête avait peut-être même pris fin avant même votre arrivée! LiteHawk ne partagera jamais votre adresse électronique – ce renseignement est privé et nous respectons cela.

# LITEHAWK®

[www.litehawk.ca](http://www.litehawk.ca)