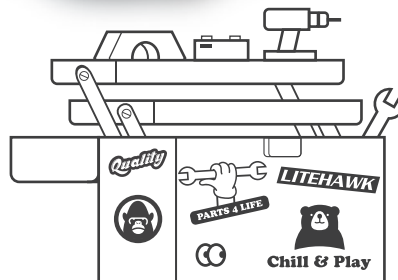


6+

POWDER



LiteHawk POWDER Instruction Manual



<https://www.litehawkshop.ca>

Visit our website for extra batteries, parts and components!

PLEASE DO NOT RETURN THIS PRODUCT TO ANY RETAIL STORE.

For any questions or problems with this product please visit our website www.litehawk.ca

Made for and distributed by Borgfeldt (Canada) Limited 50 Konrad Cres., Markham, ON L3R 8T4

LITEHAWK®

www.litehawk.ca

LiteHawk PLOWDER Precautions - The LiteHawk PLOWDER is not intended for children under the age of 6 unless closely supervised by an adult. Improper use may cause serious injury. Please read Li-Ion Battery section before use. Do not run in rain or if there is lightning and/or thunder. Do not touch ANY moving parts while the model is powered.



WARNING: CHOKING HAZARD - Small parts. Not For Children under 3 years



CAUTION: Do not touch the running model! Adult supervision is required!



CAUTION: Never insert any sharp objects, pins or screws into the model as this may puncture the internal battery!

SAFETY PRECAUTIONS

- Keep hands, hair and loose clothing away from moving parts when the model is powered ON.
- Turn off controller/charger and PLOWDER when not in use.
- Remove battery from controller/charger when not in use.
- Parental guidance is recommended for use.
- Keep your PLOWDER in your sight so that you can supervise it at all times.
- New AA alkaline batteries are recommended for use in the controller to obtain maximum performance.
- Your charger is tailor made for the Li-Ion battery used in your LiteHawk PLOWDER. Do not use it to charge any battery other than that in the LiteHawk PLOWDER.

BATTERY SAFETY INFORMATION

- Requires 2 x 1.5V AA batteries (included)
- Batteries are small objects.
- Replacement of batteries must be done by adults.
- Follow the polarity (+/-) diagram.
- Promptly remove dead batteries from the toy.
- Dispose of used batteries properly.
- Remove batteries for prolonged storage.
- DO NOT incinerate used batteries
- DO NOT dispose of batteries in fire, as batteries may explode or leak.
- DO NOT mix old and new batteries or different types of batteries (i.e. alkaline/standard)
- Always replace the whole set of batteries at one time.
- DO NOT short-circuit the supply terminals

CARE AND MAINTENANCE -

- Always remove batteries from the controller when it is not being used for a long period of time.
- Unplug battery from toy when not in use.
- Keep the toy away from direct heat or extreme cold.
- Do not expose the toy's interior to water or moisture. This can damage the electronic assemblies.

Your LiteHawk PLOWDER is equipped with a Li-Ion battery.

Special Li-Ion Battery Instructions:

- Never charge battery unattended.
- Charge battery in isolated area. Keep away from flammable materials.
- Do not expose to direct sunlight.
- Do not disassemble, modify, heat or short circuit the batteries. Do not place them in fires or leave them in hot places.
- Only charge the batteries with the specified battery charger.
- Only use the batteries in the device specified by LiteHawk.
- Batteries must be recycled or disposed of properly.
- Do not leave plugged into model when not in use.
- Do not charge if battery or connector is wet.

Before charging the LiteHawk PLOWDER please read the following!

- DO NOT leave the battery unattended during charging.
- DO NOT leave the battery plugged into the charger any longer than 5 hours maximum.
- DO NOT install another battery without letting the motor cool first! 5-10 minutes is sufficient.
- DO NOT recharge the battery until it is cool to the touch! 10 minutes is sufficient.
- DO NOT charge if the battery or connector are wet.
- Remove battery from model when charging.

LITEHAWK[®]

LiteHawk PLOWDER - Transmitter Set Up

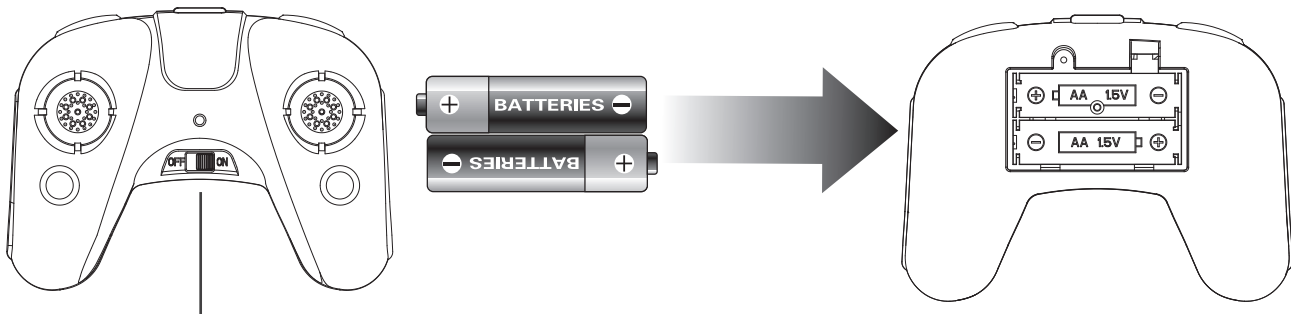
- Always use fresh AA batteries in the Controller (Transmitter).

1. Make sure the transmitter is turned off.
2. Open the Battery Cover using a Phillips screw driver (not included).
3. Insert 2 x AA batteries, noting correct polarity.
4. Replace battery door securely.

- ALWAYS REMOVE THE BATTERIES FROM THE TRANSMITTER WHEN YOU WILL NOT BE USING YOUR MODEL FOR LONG PERIODS OF TIME.

- Dispose and recycle correctly when there is no longer power in the batteries, they should be disposed of at an approved battery recycling center. DO NOT THROW IN HOUSEHOLD WASTE!

- Never expose the transmitter or batteries to moisture.



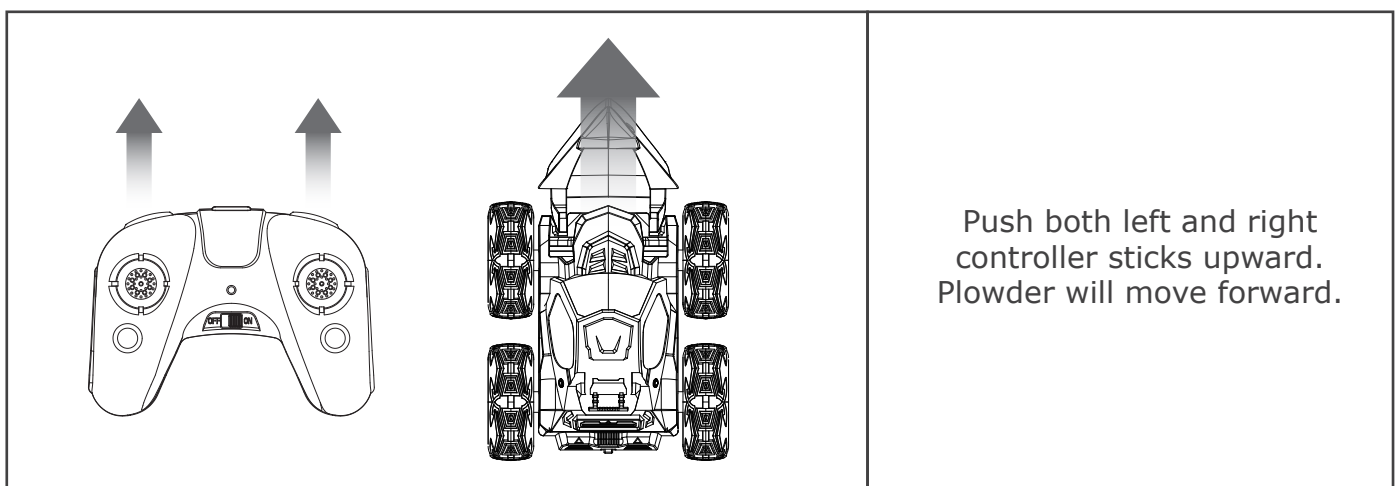
Power Button

LiteHawk PLOWDER - 2.4 Ghz

Your LiteHawk PLOWDER comes with a 2.4 Ghz radio system, which allows you to play without the fear of ever losing control! Race or play with countless other drivers. The range of your model is approximately 25m which, due to its small size, is in excess of normal vision. The farther the model goes away from you the smaller it will become and the harder it will be to determine the model's direction. We suggest you stay at a distance between 5-25m, this keeps your PLOWDER within a safe operational distance.

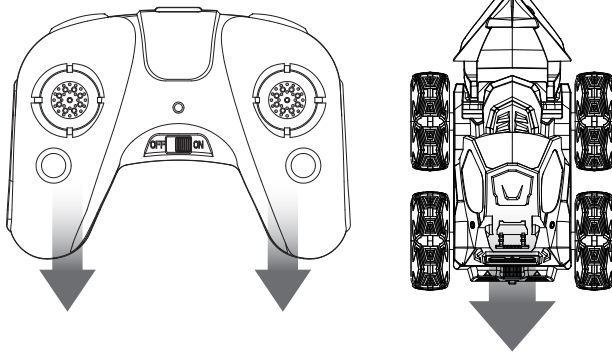
Quick Tip: always turn the transmitter on first and off last.

LiteHawk PLOWDER - Controller Functions



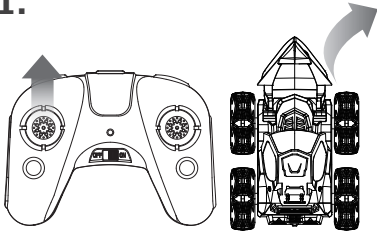
LITEHAWK

www.litehawk.ca

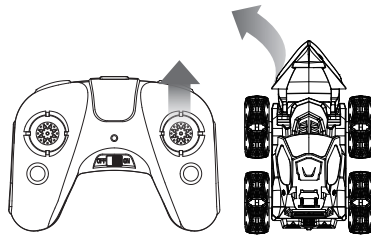


Push both left and right controller sticks downward. Plowder will move backward.

1.



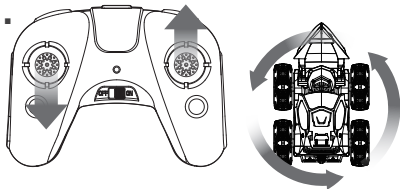
2.



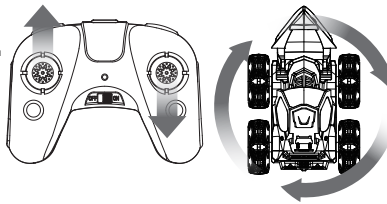
1. Push the left controller stick upward. Plowder will move to the right.

2. Push the right controller stick upward. Plowder will move to the left.

1.



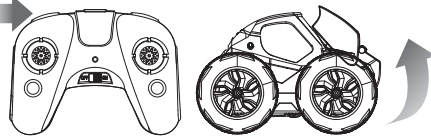
2.



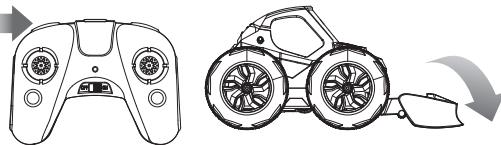
1. Push the left controller stick downwards and right controller sticks upwards. Plowder will spin counter-clockwise.

2. Push the right controller stick upwards and left controller sticks downwards. Plowder will spin counter clockwise.

Press and hold the shovel button

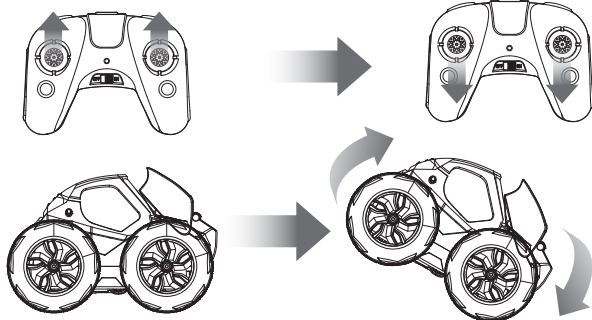


Press and hold the shovel button



Shovel Arm Function

Press and hold the shovel button on the top left of the controller. This will raise and lower the shovel.



360° Rollover

When the shovel is raised, push both controller sticks forward and then quickly pull both backwards. This will cause PLOWDER to roll.

LiteHawk PLOWDER - Battery & Charger

Your LiteHawk PLOWDER comes with a Li-Ion battery and a USB charger.

Battery:

You should expect 15-20 min run time. Extra batteries are available at www.litehawk.ca.

- Once the model starts to slow, drive your model to a safe place, walk over and turn it off.
- Never dead short a Li-Ion battery (never touch positive and negative together)!
- You Must FULLY charge the battery before using your new model.
- Do not leave the battery plugged into the model when it is not being used.
- Keep the battery dry at all times.

Li-Ion Battery and Charger Instructions:

Your New LiteHawk comes with a rechargeable Li-Ion battery. This battery powers the vehicle.

Please read the following information before using your new LiteHawk. Always have your model turned off when not in use.

STEP 1: Plug the USB into your supply USB adaptor port.

STEP 2: Connect the battery to the USB Charger. The LED will turn a solid RED.

STEP 3: When the LED indicator light on the charger turns off the battery is charged. Charging takes 90 minutes.

STEP 4: Unplug the battery from the charger.

STEP 5: Install the battery into your vehicle.

During charging:

- It is normal for the battery to get warm during the charging process. **Do not charge the battery on a surface that is flammable or can be damaged by heat.**
- Do not leave the battery and charger unattended while charging.
- Do not store the battery plugged into the charger

How to Start!

LiteHawk PLOWDER is ready to use - however you must follow these steps carefully:

- 1. Plug in the battery in the PLOWDER.**
- 2. Switch ON the transmitter.**
- 3. Turn the PLOWDER power switch ON.**

LiteHawk PLOWDER - After Use Care

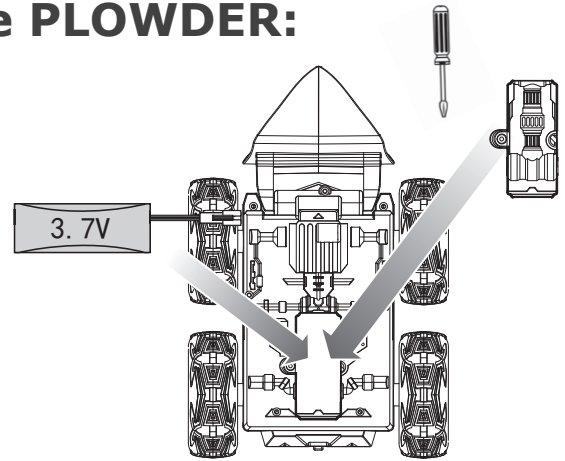
1. When you have finished using your LiteHawk PLOWDER you should first disconnect the Li-Ion battery, then switch OFF the transmitter.
2. Remove the Li-Ion battery from the vehicle.

LITEHAWK®

Installation of battery into the PLOWDER:

Place your PLOWDER on a clean flat surface. Avoid areas where small parts may be lost. The battery is housed in the battery compartment located on the bottom of the chassis.

1. Open the Battery Cover using a Phillips screw driver (not included).
2. Place your fully charged battery in the battery slot. Connect the battery connector. Don't force it, it only goes one way!
3. Place the battery cover and screw the door back in place.



Battery Guidelines:

- The battery can be re-charged many times, however over time the battery will lose its ability to take or hold a charge. At this point the battery will need to be properly recycled.
- Do not store or leave batteries in areas with extreme heat or cold. Batteries should be left and stored at room temperature.
- Always have the battery unplugged from the toy or charger when not being used.
- Do not submerge batteries under water. Always wipe off any water with a clean towel or rag.
- It is best to store the battery out of the toy and on a non-flammable surface.

Before you drive:

Before every use it's recommended to check that the steering and drivetrain are moving freely and nothing is binding. Next ensure that the model and the transmitter are working correctly. Before you drive your model, range test the radio system to ensure that it operates properly! Turn on the transmitter and then the model, check its operating as it should. Walk away from the model giving steering input with the radio until you reach the maximum distance you are planning to drive your model. If you lose input control walk back towards the model. You now know the safe operating distance for your immediate environment. Do not attempt to operate the model if there is any problem with the radio system/external interference with your radio signal at your location.

Care and Maintenance:

When you are finished running your model for the day, blow it off with compressed air or use a soft bristled paint brush to dust-off the vehicle. Always disconnect and remove the battery from the model whenever the model is stored.

Your model is going to require maintenance in order to stay in tip top running order. Check for the following:

1. Check the wheels / tracks and steering for binding.
2. Look for any cracked, bent, or damaged parts
3. Check for any loose screws in the chassis structure or suspension
4. Inspect the gears for wear, broken teeth.

LITEHAWK®

Let's hit the road!

The ESC system is not waterproof. Avoid driving through puddles, mud, or snow. If water gets into the electronics it could damage them.

- Avoid overloading your model. Never run it in areas where its movement will be restricted, e.g. thick grass, weeds, mud etc. as this can over stress the motor and bind the drive-train.
- Ensure nothing prevents the smooth running of the moving parts.
- Do not run your model in confined spaces.
- Never run your model in a public space where it might upset or endanger people or wildlife.
- Immediately discontinue use of your vehicle and transmitter if you see lightning or hear thunder. Never use your vehicle in the rain.
- Do not dismantle or tamper with this R/C vehicle or its transmitter. The manufacturer and distributor will accept no responsibility, expressed or implied, for accidents or injuries caused as a result of dis-assembly, modification and/or usage against the instructions for this product.
- The transmitter's range will vary depending on your surroundings and battery strength. Do not operate the model too far away or control could be lost (stay within 5-20 ft).
- Ensure that all batteries are correctly installed and that the Li-Ion battery is fully charged and in good condition.
- Do not touch ANY moving parts during operation.
- Don't run in public roads with traffic!
- If your vehicle gets stuck against an obstacle, release the throttle lever. Do not continue to push the throttle or run the motor. Do not try to push, pull, or tow objects of any weight as this will increase heat in the electronics and cause failures.

LiteHawk PLOWDER - Storage

- Remove all batteries before storing your vehicle.
- Never store your LiteHawk PLOWDER near open flames, in high temperatures (including near radiators) or in direct sunlight. Ideally, place the model in a warm dry location.
- Care must be taken when handling rechargeable batteries to avoid the possibility of injury and/or damage to property.

LiteHawk Parts & Tech

There's nothing worse than buying a new toy, having a question, or needing a replacement part, and then being left out in the cold. No worries! We pride ourselves on the very best customer service!

We have all the parts you'll ever need to keep your new LiteHawk in tip top shape! Like we always say, "accidents happen, even to the best of us"...with that in mind www.litehawk.ca is available 24 hours a day, 7 days a week!

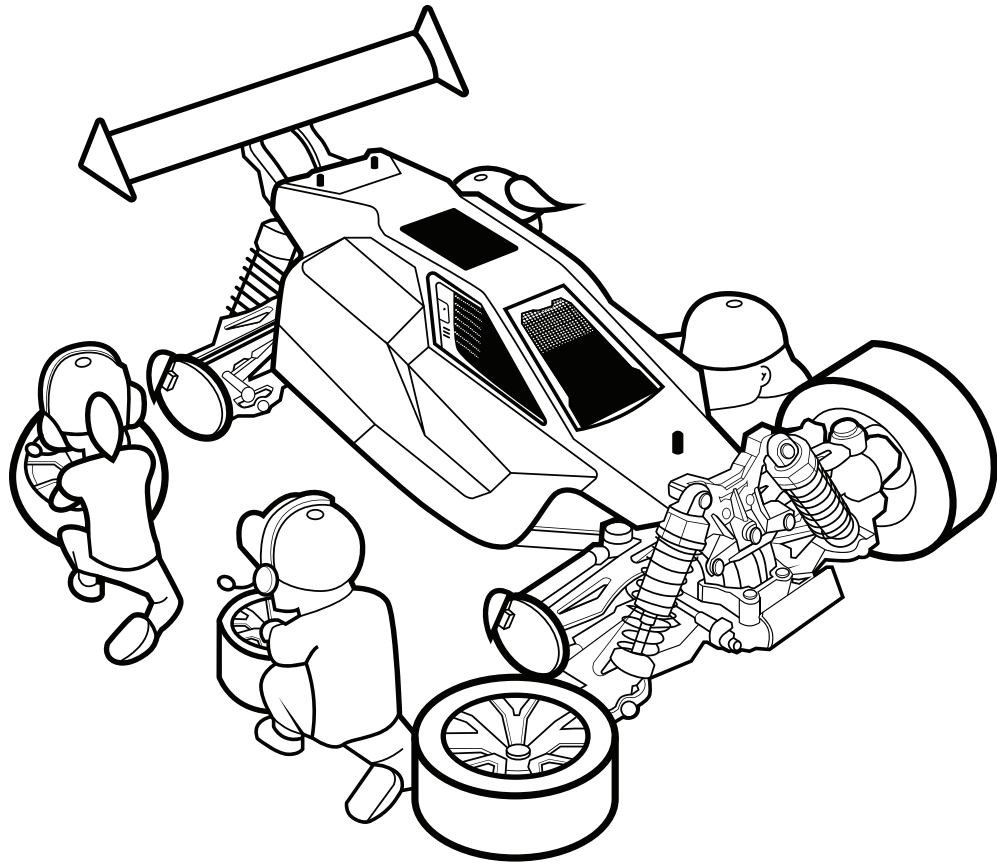
We ship your parts Same Day! Except weekends of course - that's when we are out playing too!

LiteHawk Guarantee

All LiteHawk products have been tested and designed to perform as claimed out of the box. If you have an issue with a product or part of a product please contact us directly. We cover claims towards manufacturing defects. We know that there is nothing worse than having a question or needing a replacement part and having nowhere to go. LiteHawk is not responsible for covering the costs of replacement parts or repair on products that have been damaged due to product use.

LITEHAWK[®]

www.litehawk.ca



See all of our Litehawk products in action! Everything from videos that show LiteHawks in their natural environments - flying, sailing, power boating....to helpful In-Depth product information too! It's all just a mouse click away!



Get the inside scoop - by joining LiteHawk INSIDER e-bulletin!

Keep up to speed with our newest product releases - we have some great stuff just around the corner! Ever missed a contest, simply because it happened so fast? Heck, it was over before you even got to the party! LiteHawk will never, ever share your email address - it's private and we respect that.

LITEHAWK®

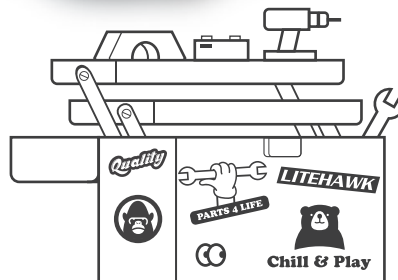
www.litehawk.ca

6+

PLOWDER



Guide d'utilisation du LiteHawk PLOWDER



<https://www.litehawkshop.ca>

Visitez notre site Web pour des batteries supplémentaires, des pièces et composants !

VEUILLEZ NE PAS RETOURNER CE PRODUIT À UN MAGASIN DE DÉTAIL.

Si vous avez des questions à poser ou des problèmes à rapporter relativement à ce produit consulter notre site Web www.litehawk.ca.

Fabriqué pour et distribué par Borgfeldt (Canada) Limited, 50 Konrad Crescent, Markham (Ontario) L3R 8T4

LITEHAWK®

www.litehawk.ca

LITEHAWK PLOWDER- CONSIGNES DE SÉCURITÉ : Le LiteHawk PLOWDER n'est pas conçu pour être utilisé par des enfants âgés de moins de 6 ans, sauf s'ils sont surveillés étroitement par un adulte. Tout mésusage peut causer de graves lésions. Veuillez lire la section sur la batterie Li-Ion avant toute utilisation. Ne pas le faire fonctionner sous la pluie ou lorsqu'il y a de la foudre ou du tonnerre. Ne toucher AUCUNE pièce mobile lorsque le modèle est sous tension.



MISE EN GARDE! Danger d'étouffement –petites pièces. Ne convient pas aux enfants âgés de moins de 3 ans



ATTENTION! Ne pas toucher le modèle en mouvement. La supervision d'un adulte est requise!



ATTENTION! Ne jamais insérer un objet acéré, une épingle ou une vis dans le modèle, car cela risque de perforer la batterie interne!

CONSIGNES DE SÉCURITÉ

- Tenir les mains, les cheveux et tout vêtement ample loin des pièces mobiles lorsque le modèle est en MARCHÉ.
- Éteindre la télécommande, le chargeur et le PLOWDER lorsque ceux-ci ne sont pas utilisés.
- Enlever les batteries de la télécommande ou du chargeur lorsque ceux-ci ne sont pas utilisés.
- La surveillance parentale est recommandée lors de l'utilisation.
- Gardez votre appareil PLOWDER en vue en tout temps.
- L'utilisation de piles alcalines AA neuves dans la télécommande est recommandée afin d'assurer des performances maximales.
- Votre chargeur mobile est conçu expressément pour charger la batterie Li-Ion utilisée dans votre LiteHawk PLOWDER. Ne l'utilisez pas pour charger une batterie autre que celle du LiteHawk PLOWDER.

CONSIGNES DE SÉCURITÉ RELATIVES AUX PILES

- Ce jouet requiert 2 piles AA de 1,5 V (comprises)
- Les piles sont de petites pièces.
- Le remplacement des piles doit être effectué par un adulte.
- Respectez la polarité (+/-) indiquée.
- Retirez les piles usées sans délai du jouet.
- Éliminez les piles usées convenablement.
- Enlevez les piles si vous entreposez le jouet longtemps.
- NE PAS incinérer les piles usées.
- NE PAS jeter les piles au feu, car elles risquent d'exploser ou de laisser échapper leur contenu.
- NE PAS mélanger des piles neuves et des piles usées ou des types différents de piles (p. ex., alcalines et ordinaires)
- Toujours remplacer le lot complet des batteries en même temps.
- NE PAS court-circuiter les bornes d'alimentation.

ENTRETIEN -

- Enlevez toujours les piles de la télécommande lorsque celle-ci n'est pas utilisée pendant une longue période.
- Débranchez la batterie du jouet lorsque celui-ci n'est pas utilisé.
- Ce jouet craint la chaleur directe et le froid extrême.
- Ne pas exposer l'intérieur du jouet à l'eau ou à l'humidité, car celles-ci peuvent abîmer les dispositifs électroniques.

Votre LiteHawk PLOWDER est muni d'une batterie Li-Ion

Consignes spéciales pour la batterie Li-Ion :

- Ne jamais charger la batterie sans supervision.
- Charger la batterie dans un endroit à l'écart. Garder loin des matières inflammables.
- Ne pas exposer aux rayons directs du soleil.
- Ne pas démonter, modifier, chauffer ou court-circuiter les batteries. Ne pas les mettre au feu ou les exposer à la chaleur.
- Uniquement charger les batteries au moyen du chargeur spécifié.
- Uniquement utiliser les batteries dans l'appareil spécifié par LiteHawk.
- Les batteries doivent être recyclées ou éliminées convenablement.
- Ne laissez pas la batterie branchée sur le jouet lorsque celui-ci n'est pas utilisé.
- N'effectuez pas le chargement si les piles ou le connecteur sont mouillés.

Avant de charger le LiteHawk PLOWDER, veuillez lire les consignes suivantes!

- NE PAS laisser la batterie sans surveillance pendant qu'elle se charge.
- NE PAS laisser la batterie branchée dans le chargeur pendant plus de 5 heures maximum.
- NE PAS installer une autre batterie sans avoir laissé le moteur refroidir au préalable! Un intervalle de 5 à 10 minutes suffit.
- NE PAS recharger la batterie avant qu'elle ne soit redevenue froide au toucher! Un intervalle de 10 minutes suffit.
- N'effectuez pas le chargement si les piles ou le connecteur sont mouillés.
- Retirez la batterie du modèle lorsque vous la chargez.

LITEHAWK

LiteHawk PLOWDER – Configuration de l'émetteur

- Utilisez toujours des piles AA neuves dans la radiotélécommande (l'émetteur).

1/ Assurez-vous que l'émetteur est éteint.

2/ Ouvrir le couvercle du compartiment à pile avec un tournevis Phillips (non inclus).

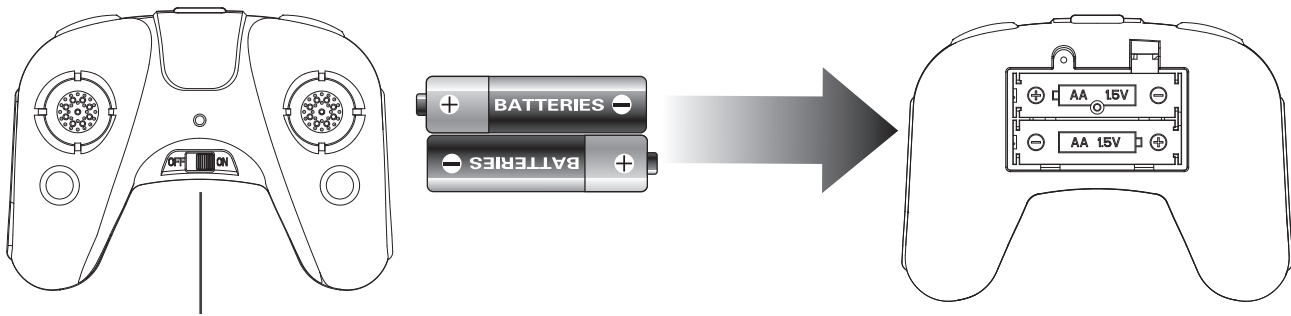
3/ Insérez 2 piles AA en veillant à respecter la polarité indiquée.

4/ Refermer le compartiment à piles.

- ENLEVEZ TOUJOURS LES PILES DE L'ÉMETTEUR LORSQUE VOUS NE PRÉVOYEZ PAS UTILISER VOTRE MODÈLE PENDANT UNE LONGUE PÉRIODE.

- Éliminez et recyclez convenablement les piles usées; celles-ci doivent être éliminées dans un centre approuvé de recyclage de piles. NE LES JETEZ PAS AUX ORDURES!

- N'exposez jamais l'émetteur ou les piles à l'humidité.



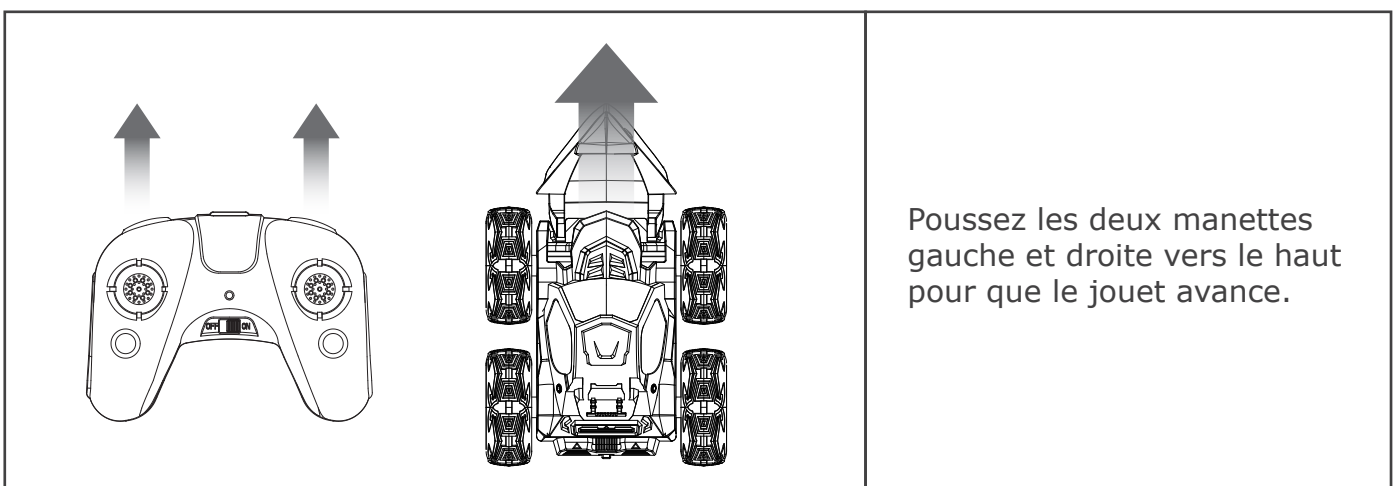
Bouton d'alimentation

LiteHawk PLOWDER– 2,4 GHz

Votre appareil LiteHawk PLOWDER est vendu avec un système de radiotélécommande à 2,4 GHz conçu pour vous permettre de jouer sans la moindre crainte de perdre le contrôle de votre modèle! Faites la course ou jouez avec un nombre indéfini d'autres pilotes. Votre modèle a une portée d'environ 25m; étant donné sa faible taille, cela dépasse la portée visuelle normale. Plus votre modèle s'éloigne de vous, plus il devient petit et plus vous aurez de la difficulté à déterminer sa direction. Nous vous conseillons de le garder dans un rayon de 5 à 25m; votre PLOWDER restera ainsi à l'intérieur d'une distance d'utilisation sécuritaire.

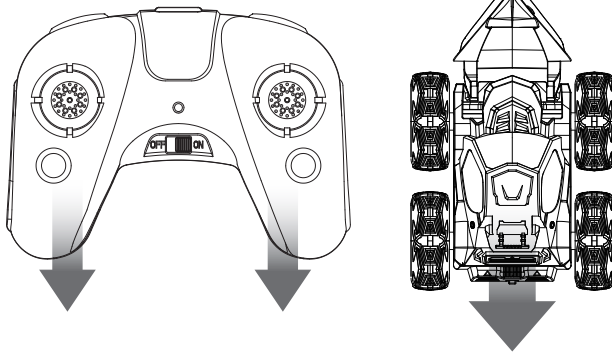
Conseil pratique : allumez toujours l'émetteur en premier lieu et éteignez-le toujours en dernier lieu.

LiteHawk PLOWDER - Fonctions de la télécommande



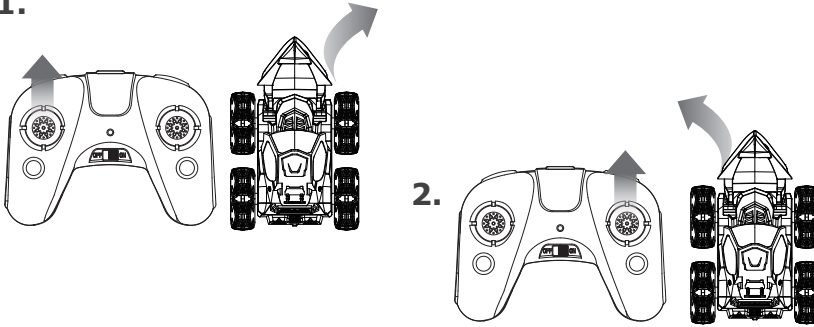
LITEHAWK

www.litehawk.ca



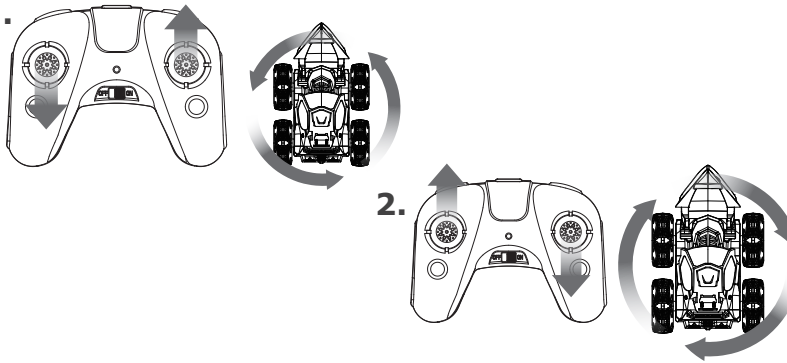
Poussez à gauche et à droite contrôleur colle vers le bas. Plowder reculera.

1.



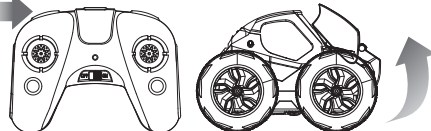
1. Poussez le joystick gauche vers le haut. Plowder se déplacera vers la droite.
2. Poussez le joystick droit vers le haut. Plowder se déplacera vers la gauche.

1.

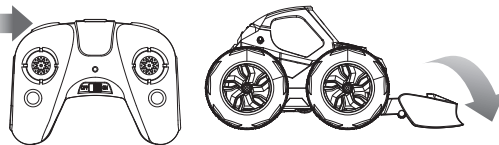


1. Poussez la manette gauche vers le bas et la manette droite vers le haut. PLOWDER tournera dans le sens inverse des aiguilles d'une montre.
2. Poussez le joystick droit vers le haut et les joysticks gauche vers le bas. PLOWDER tournera dans le sens inverse des aiguilles d'une montre.

Appuyez et maintenez la pelle bouton

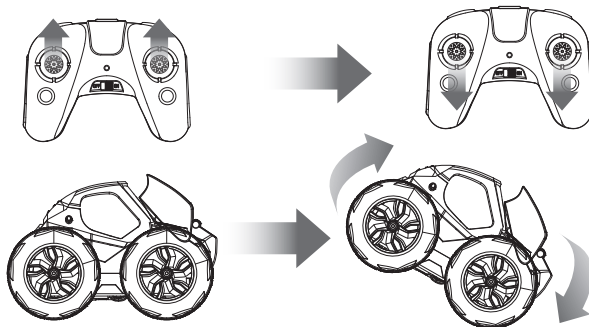


Appuyez et maintenez la pelle bouton



Fonction Pelle

Appuyez et maintenez enfoncé le bouton de la pelle en haut à gauche du contrôleur. Cela soulèvera et abaissera la pelle.



Roulement à 360°

Lorsque la pelle est relevée, poussez les deux manettes vers l'avant, puis tirez-les rapidement vers l'arrière. Cela fera rouler PLOWDER.

LiteHawk PLOWDER – Batterie et recharge

Le LiteHawk PLOWDER est fourni avec une batterie Li-Ion et un USB chargeur.

Batterie :

La durée de fonctionnement est d'environ 15 à 20 minutes. Il est possible de se procurer des batteries supplémentaires en consultant le site www.litehawk.ca.

- Lorsque le modèle commence à ralentir, il convient de le conduire jusqu'à un endroit sûr, puis de l'éteindre.
- Ne jamais vider complètement une batterie Li-Ion (ne jamais toucher positif et négatif ensemble)!
- Il importe de recharger COMPLÈTEMENT la batterie avant d'utiliser un modèle neuf.
- Ne pas laisser la batterie branchée dans le modèle lorsqu'on ne l'utilise pas.
- Garder la batterie au sec en tout temps.

Instructions relatives à la batterie Li-Ion et au chargeur:

Le LiteHawk est fourni avec une batterie Li-Ion rechargeable. Cette batterie alimente le véhicule.

Prière de lire les renseignements suivants avant d'utiliser le LiteHawk:

Toujours avoir votre modèle éteint quand il n'est pas utilisé.

ÉTAPE 1 : Brancher le câble USB dans le port USB de l'adaptateur d'alimentation..

ÉTAPE 2 : Branchez la batterie dans le chargeur USB. La LED rouge s'allume, ce qui indique que l'appareil est en charge.

ÉTAPE 3 : Lorsque le voyant LED sur le chargeur s'éteint, la batterie est chargée. Le chargement prend 90 minutes

ÉTAPE 4 : Débrancher la batterie du chargeur.

ÉTAPE 5 : Monter la batterie dans le véhicule.

Pendant la charge:

- Il est normal que la batterie s'échauffe pendant la charge. **Pendant la charge, ne posez pas la batterie sur une surface inflammable ou susceptible d'être abîmée par la chaleur.**
- Ne pas laisser la batterie et le chargeur sans surveillance pendant la charge.
- Ne pas entreposer la batterie alors qu'elle est toujours branchée sur le chargeur.

Comment démarrer!

Le LiteHawk PLOWDER est prêt à être utilisé - toutefois, vous devez suivre attentivement les étapes suivantes :

1. Allumez l'émetteur.
2. Branchez la pile dans le PLOWDER.
3. Mettez l'interrupteur d'alimentation du PLOWDER sur la position ON (MARCHE).

LiteHawk PLOWDER – Entretien après chaque utilisation

1. Lorsque vous avez fini d'utiliser votre LiteHawk PLOWDER, vous devez d'abord déconnecter la batterie Li-Ion, puis éteindre l'émetteur.
2. Retirez la batterie Li-Ion du véhicule.

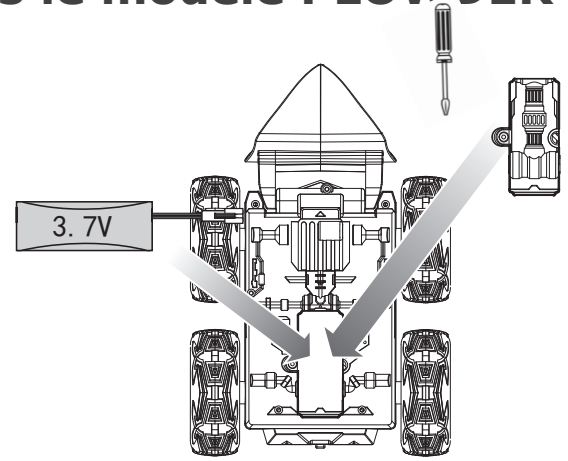
LITEHAWK®

www.litehawk.ca

Installation de la batterie dans le modèle PLOWDER

Placez votre PLOWDER sur une surface plane et propre. Évitez les zones où de petites pièces peuvent être perdues. La batterie est logée dans la batterie compartiment situé sous le châssis.

1. Ouvrez le couvercle de la batterie à l'aide d'un tournevis cruciforme (non inclus).
2. Placez votre batterie complètement chargée dans le logement de la batterie. Branchez le connecteur de la batterie. Ne forcez pas, ça ne va que dans un sens !
3. Placez le couvercle de la batterie et revissez la porte en place.



Lignes directrices concernant la batterie:

- Il est possible de recharger la batterie à de nombreuses reprises. Ceci étant, au fil du temps, la batterie va perdre de sa capacité à se recharger ou à conserver sa charge. À ce stade, il importe de recycler la batterie comme il se doit.
- Ne pas entreposer ou laisser la batterie dans une zone extrêmement chaude ou froide. Il convient de l'entreposer à température ambiante.
- Veiller à toujours débrancher la batterie du jouet ou du chargeur lorsqu'on ne l'utilise pas.
- Ne pas immerger la batterie. Toujours essuyer les traces d'eau avec une serviette ou un chiffon propre.
- Il est préférable d'entreposer la batterie à l'extérieur du jouet et sur une surface ininflammable.

Avant d'utiliser le modèle :

Avant chaque utilisation du modèle, nous vous recommandons de vérifier que la direction et la transmission se déplacent librement et que rien ne les coince. Vérifiez ensuite que le modèle et l'émetteur fonctionnent convenablement. Avant de piloter votre modèle, vérifiez la portée du système radio pour vous assurer qu'il fonctionne convenablement! Allumez l'émetteur, puis mettez le modèle en marche; vérifiez qu'ils fonctionnent comme ils le devraient. Éloignez-vous du modèle tout en actionnant la commande de direction au moyen de la radio, jusqu'à ce que vous atteigniez la distance maximale à laquelle vous prévoyez piloter votre modèle. Si vous perdez le contrôle des commandes, marchez vers le modèle. Vous savez maintenant quelle est la distance sécuritaire d'utilisation du système à l'endroit où vous vous trouvez. N'essayez pas d'utiliser le modèle si vous décelez le moindre problème de radio ou brouillage externe de votre signal radio à l'endroit où vous vous trouvez.

Entretien :

Lorsque vous avez terminé d'utiliser votre modèle pour la journée, dépoussiérez-le en vous servant d'air comprimé ou d'un pinceau à soies douces. Vous devez toujours débrancher et enlever la batterie du modèle chaque fois que le modèle est rangé.

Votre modèle exige un entretien régulier pour rester en parfait état de fonctionnement. Vérifiez les éléments suivants :

1. Vérifiez les roues / pistes et la direction pour la liaison
2. Inspectez le modèle pour vérifier qu'aucune pièce n'est fendue, pliée ou abîmée.
3. Vérifiez qu'aucune des vis du châssis ou de la suspension n'est desserrée.
4. Inspectez les engrenages pour vérifier qu'aucune dent n'est usée excessivement ou brisée.

LITEHAWK®

En route!

Le système de régulation automatique de la vitesse (ESC) n'est pas étanche. Évitez de passer dans les flaques, la boue ou la neige. Si de l'eau s'infiltré dans les dispositifs électroniques, elle pourrait les endommager.

- Évitez de surcharger votre modèle. Ne le faites jamais rouler sur un terrain où ses mouvements risquent d'être entravés (p. ex., herbes longues, mauvaises herbes, boue), car cela pourrait surcharger leur moteur et coincer la transmission.
- Assurez-vous que rien n'entrave les mouvements des pièces mobiles.
- N'utilisez pas votre modèle dans un espace exigü.
- N'utilisez jamais votre modèle dans un espace public où il risque de déranger ou de mettre en péril des personnes ou des animaux sauvages.
- Cessez immédiatement d'utiliser votre modèle et votre émetteur si vous voyez un éclair ou que vous entendez un bruit de foudre. N'utilisez jamais votre véhicule sous la pluie.
- Vous ne devez ni démonter ni trafiquer ce modèle téléguidé ou son émetteur. Le fabricant et le distributeur déclinent toute responsabilité, expresse ou tacite, quant aux accidents ou lésions découlant du démontage de ce produit, de sa modification ou d'une utilisation qui déroge aux instructions.
- La portée de l'émetteur variera selon votre environnement et l'état des piles. Ne laissez pas le modèle s'éloigner trop, car vous risquez d'en perdre le contrôle (gardez-le à l'intérieur d'un rayon de 5 à 20 pi).
- Assurez-vous que toutes les piles et la batterie sont convenablement installées; assurez-vous également que la batterie Li-Ion est chargée à fond et en bon état.
- Ne touchez AUCUNE pièce mobile lorsque le modèle fonctionne.
- N'utilisez pas votre modèle sur un chemin public ouvert à la circulation!
- Si votre véhicule se coince contre un obstacle, lâchez le levier de commande de la puissance. Ne continuez pas d'appuyer sur le levier de puissance ou de faire tourner le moteur. N'essayez pas de pousser, de tirer ou de remorquer une masse, quelle qu'elle soit, car cela surchauffera les dispositifs électroniques et cela provoquera des défaillances.

LiteHawk PLOWDER – Entreposage

- Enlevez toutes les piles et la batterie avant d'entreposer votre véhicule.
- Ne rangez jamais votre LiteHawk PLOWDER à proximité de flammes ou de surfaces à haute température (notamment les radiateurs), ou dans un endroit exposé aux rayons directs du soleil. Idéalement, rangez le modèle dans un endroit tiède et sec.
- Lors du maniement des batteries rechargeables, prenez grand soin d'éviter tout risque de blessure ou de dommage matériel.

Pièces et soutien technique LiteHawk

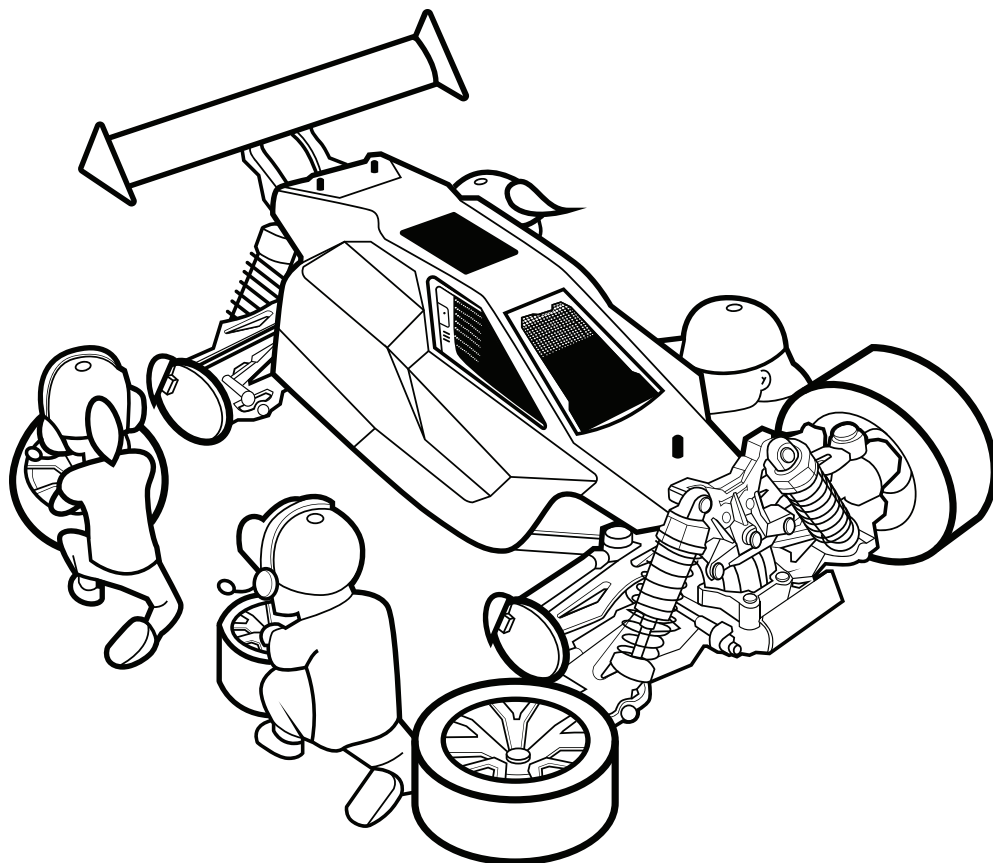
Après avoir acheté un nouveau jouet, rien n'est plus décevant que d'avoir une question à poser ou d'avoir besoin d'une pièce de rechange, mais d'être laissé en plan. Ne vous inquiétez pas! Nous nous targuons d'offrir à nos clients le meilleur service après-vente qui soit! Nous avons toutes les pièces dont vous pourriez avoir besoin pour garder votre LiteHawk en parfait état! Comme nous le répétons, « les accidents arrivent, même aux meilleurs d'entre nous ».... c'est pourquoi le site Web www.litehawk.ca est disponible 24 heures sur 24, 7 jours sur 7!

Nous expédions vos pièces le jour même! sauf les fins de semaine, évidemment – car nous aussi, nous aimons jouer dehors!

Garantie LiteHawk

Tous les produits LiteHawk sont testés et conçus pour offrir les performances publiées dès la sortie de l'emballage. Si vous avez un problème avec un produit ou une pièce d'un produit, veuillez communiquer directement avec nous. Nous couvrons les réclamations pour vice de fabrication. Nous savons qu'il n'y a rien de plus décevant que d'avoir une question à poser ou d'avoir besoin d'une pièce de rechange, mais de n'avoir nulle part où s'adresser. LiteHawk décline toute responsabilité pour le coût des pièces de rechange ou des réparations faites sur les produits abîmés en conséquence de leur utilisation.

LITEHAWK®



Découvrez tous nos produits Litehawk en action ! Tout, des vidéos qui montrent les LiteHawks dans leur environnement naturel - vol, voile, bateau à moteur... jusqu'aux produits utiles en profondeur infos aussi ! Tout n'est qu'à un clic de souris!



Obtenez le scoop - en rejoignant le bulletin électronique LiteHawk INSIDER !

Tenez-vous au courant de nos dernières versions de produits - nous avons de superbes produits à portée de main ! Avez-vous déjà raté un concours simplement parce qu'il s'est passé si vite ? Zut, c'était fini avant même d'arriver à la fête ! LiteHawk ne partagera jamais, jamais votre adresse e-mail - elle est privée et nous respectons cela.

LITEHAWK®

www.litehawk.ca