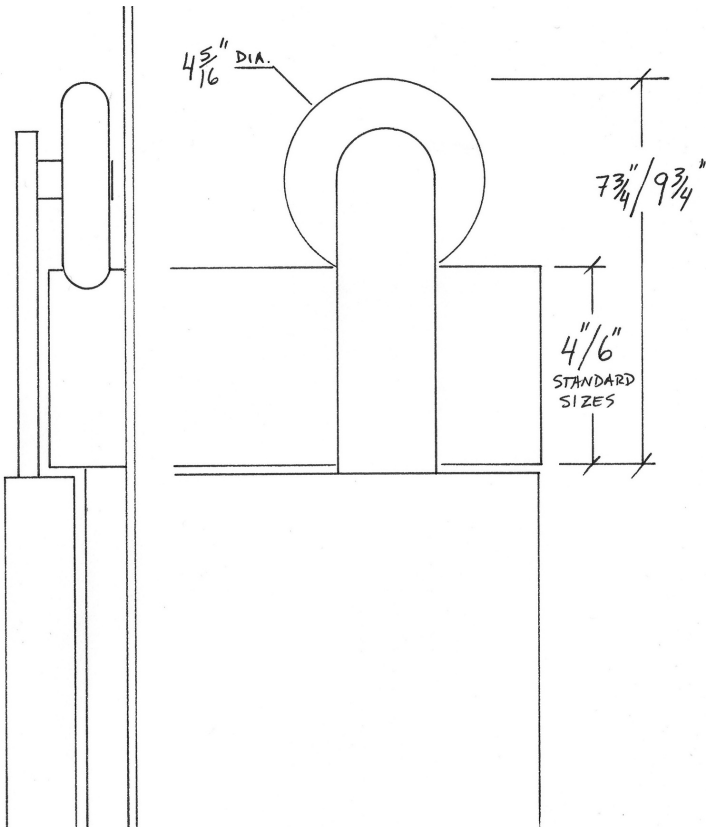


TOP DOWN



WHAT'S INCLUDED

- Bracket, Wheel, and Wood Track system, plus:
- All necessary mounting hardware
- Two (2) standard door stops (premium available at extra cost)
- One (1) standard door guide (premium available at extra cost)
- Other accessories available in online shop



Top Mount system

Top Down provides unmatched flexibility of door and casing thickness. The base plate is 3/4" - measured front to back - to accommodate thinner panels and a range of offsets and panel thickness.

FINISH OPTIONS



Brushed Stainless



Matte Black

FEATURES

- Clean panel face when showing the door is the top priority.
- Adjustability with track and bracket sizes
- Compatible with wood and metal panels
- Sustainably made in Washington, USA

WOOD TRACK WIDTH SIZES

4" or 6"

*Brackets allow for smaller custom wood track sizes or material options to be created by user. If making own track select (No track in menu)

DOOR CONFIGURATION OPTIONS

Single, Bi-parting, Bypassing, Stacking

DOOR PANEL OPTIONS

Wood, Metal

DETAILS

- Made for door panels 3/4" and up thickness.
- Accommodates baseboard, casing or jamb projection up to 1 1/2" dependent on door thickness.
- Supports 200 lb door weight. Contact us for door panels over 200 lbs.
- Available in standard track lengths: 60" up to 95" standard shipping. Other sizes available. Extra shipping costs for lengths over 96" or make your own using our custom router bit.
- Track Mounting fasteners for most wall construction types.
- Ability to customize door travel during install.