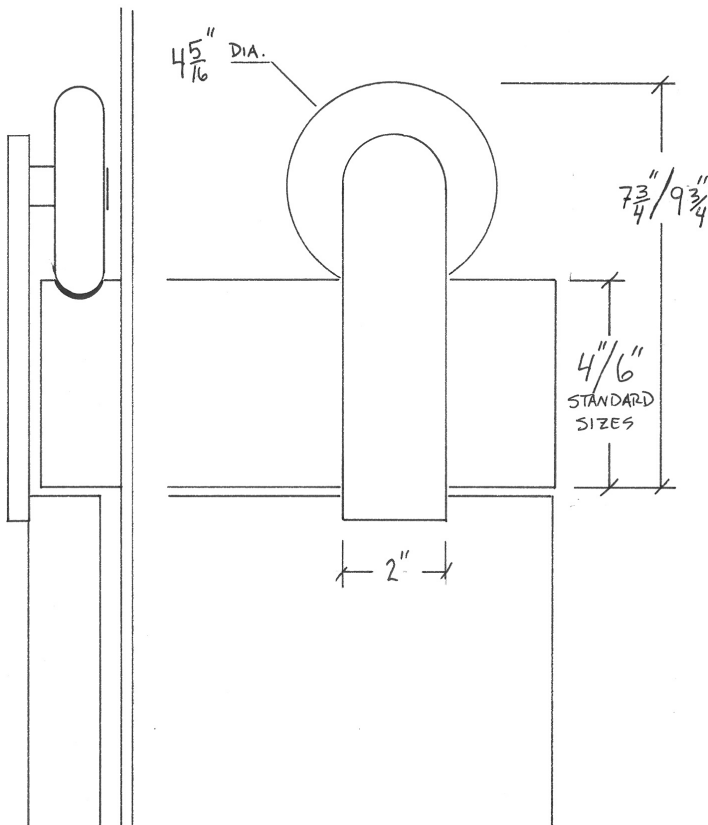


# OFF THE TOP



## WHAT'S INCLUDED

- Bracket, Wheel, and Wood Track system, plus:
- All necessary mounting hardware
- Two (2) standard door stops (premium available at extra cost)
- One (1) standard door guide (premium available at extra cost)
- Other accessories available in online shop



## Top Mount system

Off the top provides an inset feature with the same flexibility as Top Down when it comes to casing and door thickness. The design accentuates the bracket, with a subtle exposure 'off the top' of the door.

## FINISH OPTIONS



Brushed Stainless



Matte Black

## FEATURES

- Low profile barn door hardware system
- Industry leading installation adjustability
- Compatible with wood and metal panels
- Sustainably made in Washington, USA

## WOOD TRACK WIDTH SIZES

4" or 6"

\*Brackets allow for smaller custom wood track sizes or material options to be created by user. If making own track select (No track in menu)

## DOOR CONFIGURATION OPTIONS

Single, Bi-parting, Bypassing, Stacking

## DOOR PANEL OPTIONS

Wood, Metal

## DETAILS

- Made for door panels 3/4" and up thickness. Up to 3/4" wide baseboard dependent on door panel thickness.
- Supports 200 lb door weight. Contact us for door panels over 200 lbs.
- Available in standard track lengths: 60" up to 95" standard shipping. Other sizes available. Extra shipping costs for lengths over 96" or make your own using our custom router bit.
- Track Mounting fasteners for most wall construction types.
- Ability to customize door travel during install.