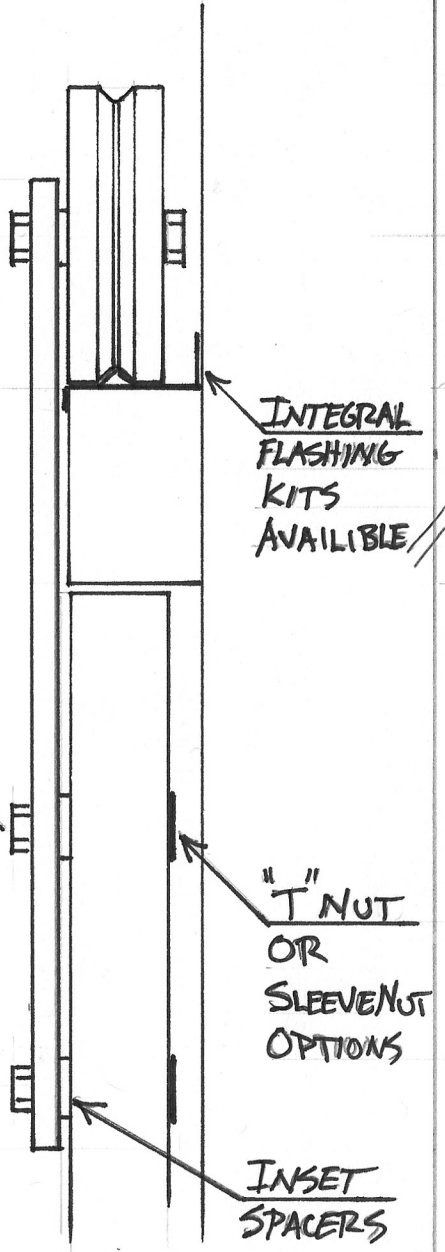


BIG1

BIG



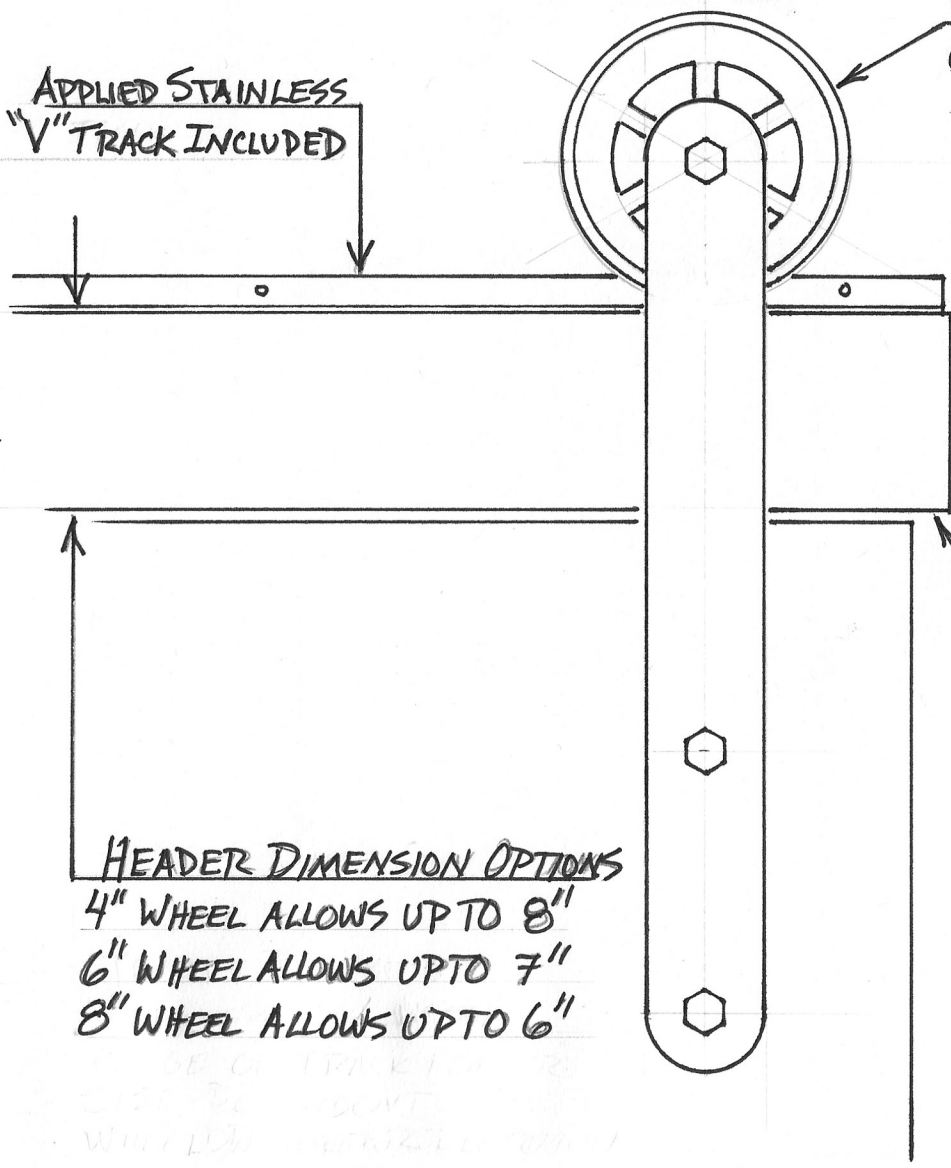
APPLIED STAINLESS
"V" TRACK INCLUDED

INTEGRAL
FLASHING
KITS
AVAILABLE

BLACK OR
STAINLESS
FASTNER
OPTIONS

"T" NUT
OR
SLEEVE NUT
OPTIONS

INSET
SPACERS



CAST IRON WHEELS
OPTIONS OF
4", 6" AND 8"

WOOD OR
METAL HEADER
* NOT PROVIDED.

HEADER DIMENSION OPTIONS
4" WHEEL ALLOWS UP TO 8"
6" WHEEL ALLOWS UP TO 7"
8" WHEEL ALLOWS UP TO 6"

ENGROOVE[®]

3/6/21

BIG

4, 6 OR 8" WHEEL

1"

FRAMING LINE

FRAMING LINE IF USING FILLER

ADDITIONAL STEP FLASH IF NECESSARY

FLASHING

FILLER IF NECESSARY

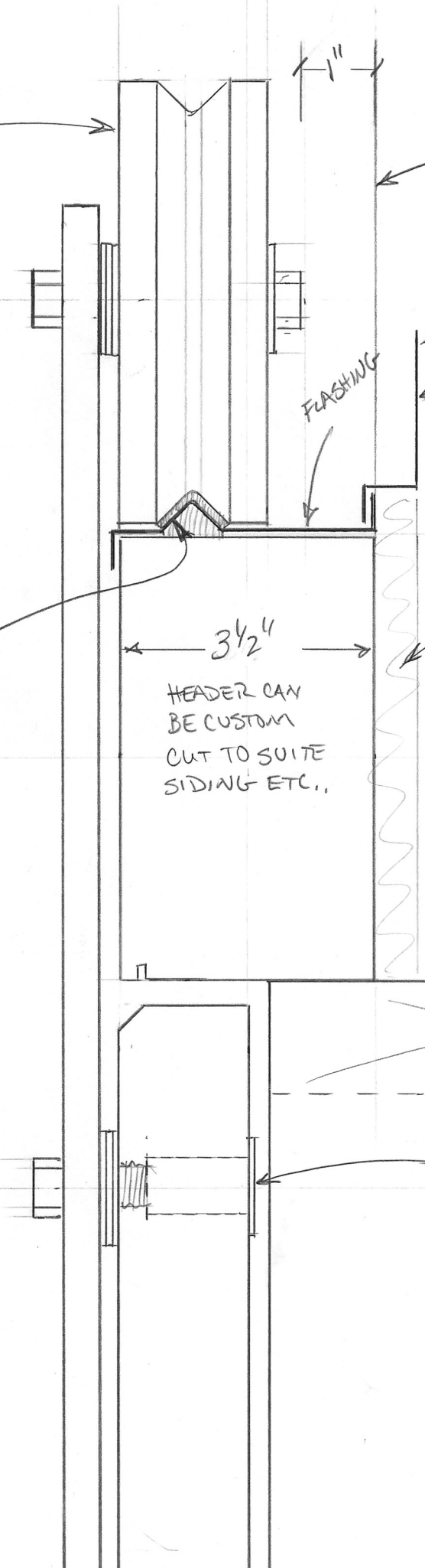
3/4 x 3/4 ANGLE CAP TRACK

3 1/2"

HEADER CAN BE CUSTOM CUT TO SUITE SIDING ETC.,

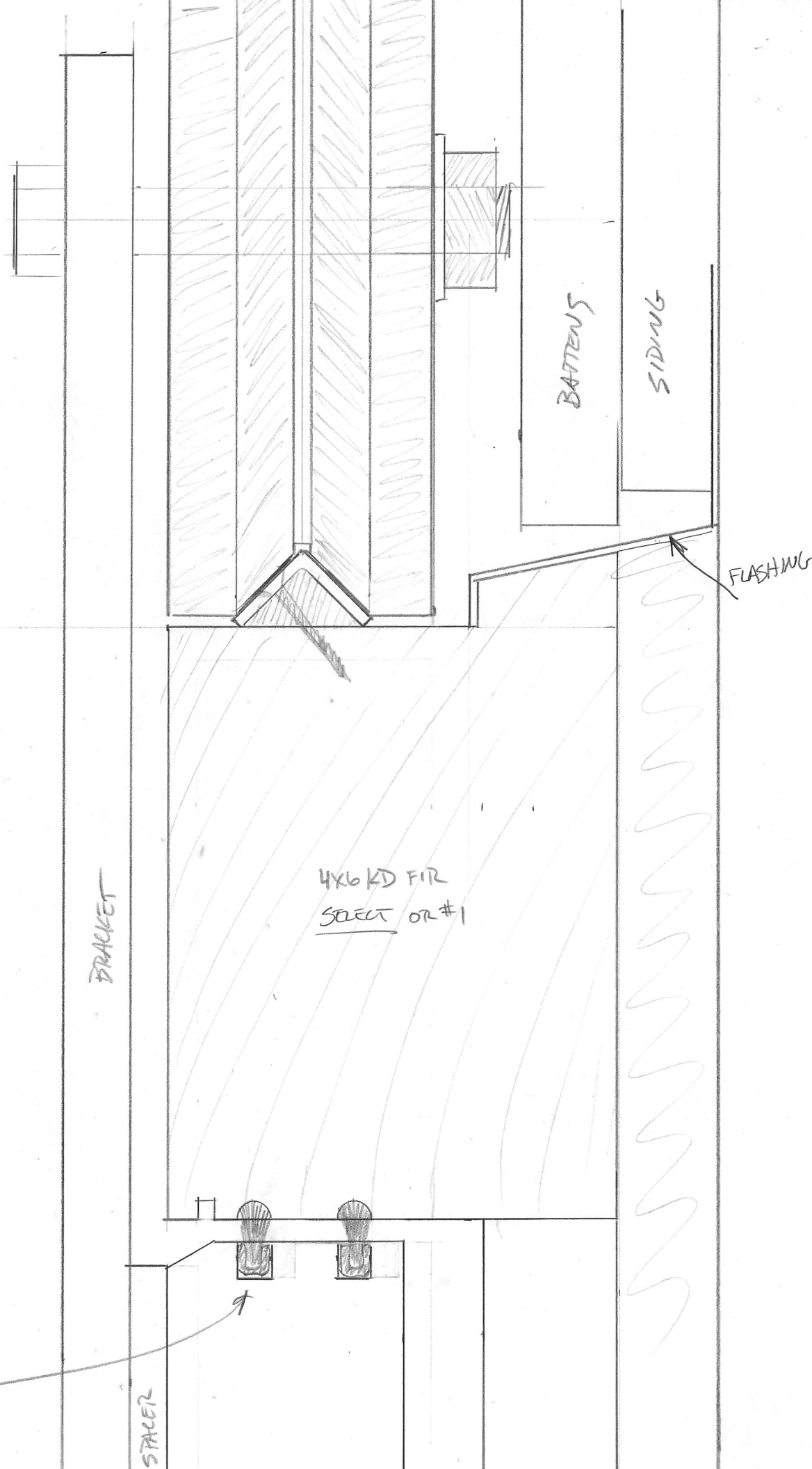
JAMB HEAD

OPTIONAL SLEEVE NUT OR RECESS SQUARE NUT OR FLUSH WELD NUT



BARRY
9/2/16

EXTERIOR
DOOR
SYSTEM



2 1/2" x 1 1/2"

Pemko
5025A5B

BRACKET

4x6 KD FIR
SELECT OR #1

BATTENS

SIDING

FLASHING

STACER

BIG 4

BIG 6" WHEEL / 5 1/2" HEADER

