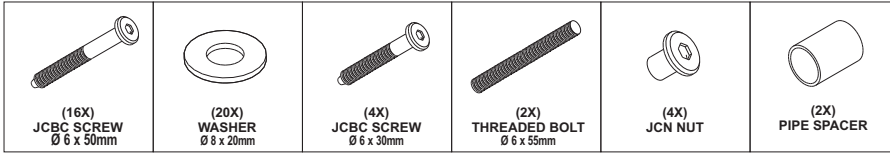
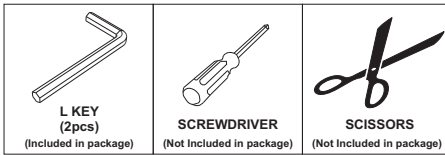


TEAK DOUBLE EXTENDABLE DINING TABLE ASSEMBLY INSTRUCTIONS

HARDWARE



TOOLS

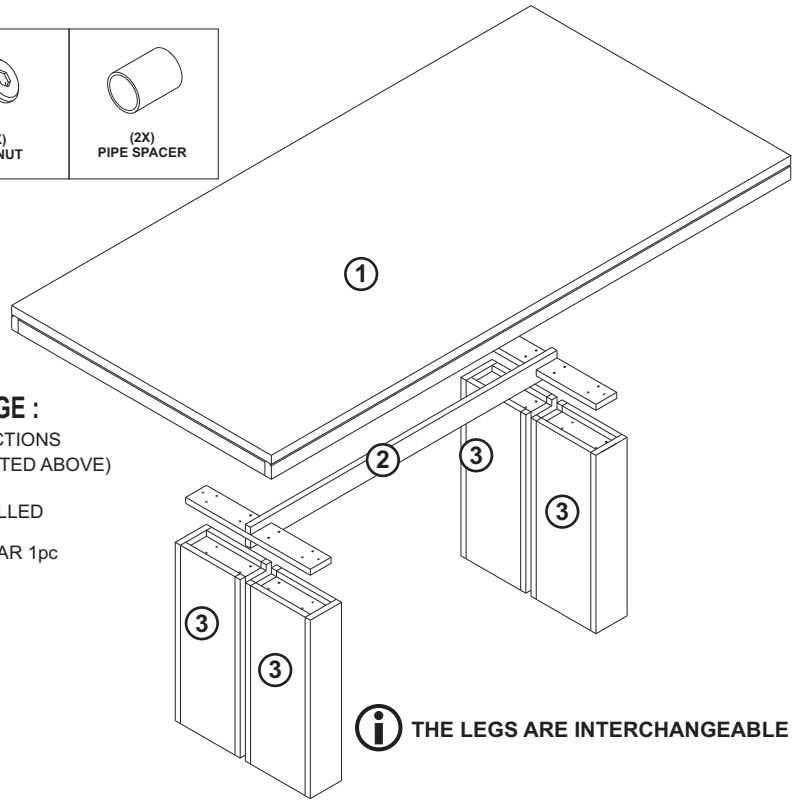


IN YOUR PACKAGE :

ASSEMBLY INSTRUCTIONS
HARDWARE (AS LISTED ABOVE)

PARTS TO BE INSTALLED

1. TOP PANEL 1pc
2. CONNECTING BAR 1pc
3. LEGS 4pcs



RECOMMENDATION :

In order to avoid colour differences between the fixed table top and the extensions due to UV light, we suggest to put your dining table in extended version during the first month.



THE LEGS ARE INTERCHANGEABLE

SYMBOLS



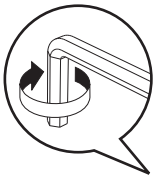
DIRECTION



NUMBER OF PERSONS NEEDED



USE HAND



USE L KEY

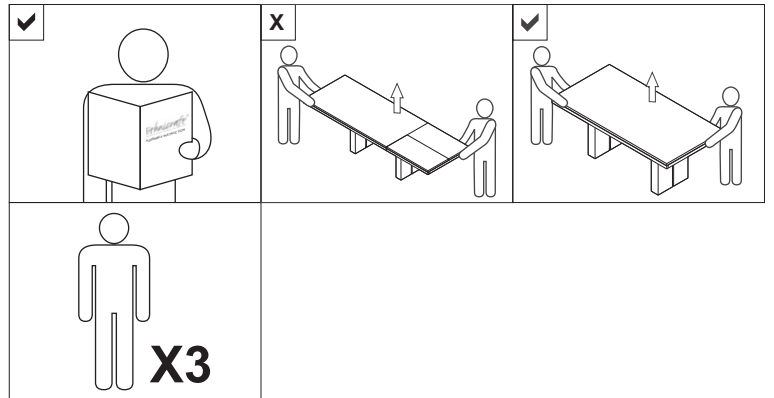


USE SCREWDRIVER



USE SCISSORS

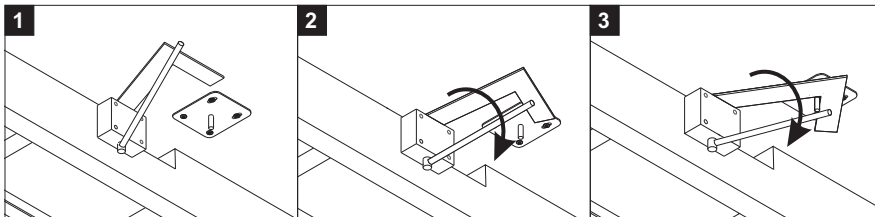
NOTICE



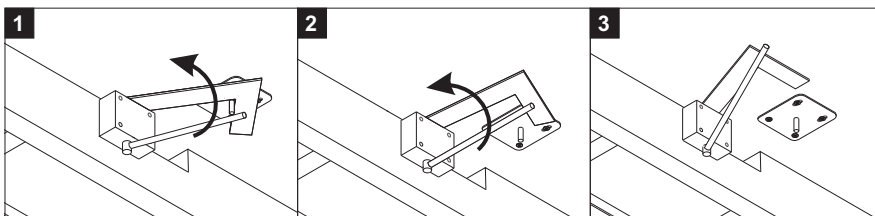
WHEN LIFTING THE TABLE :

- LIFT ONLY ON THE APRON
- MAKE SURE TABLE IS IN ITS CLOSED POSITION

LOCKING THE TABLE TOP

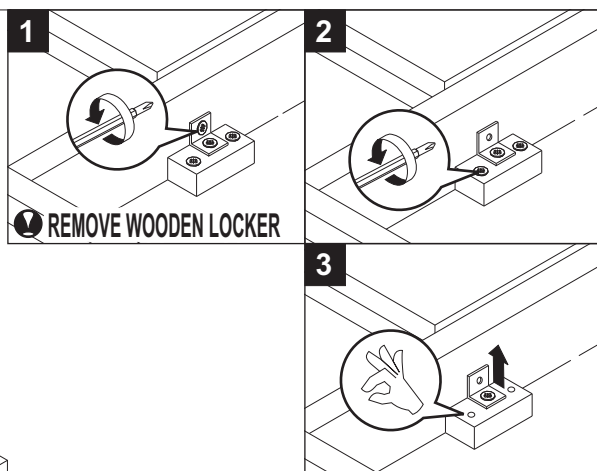
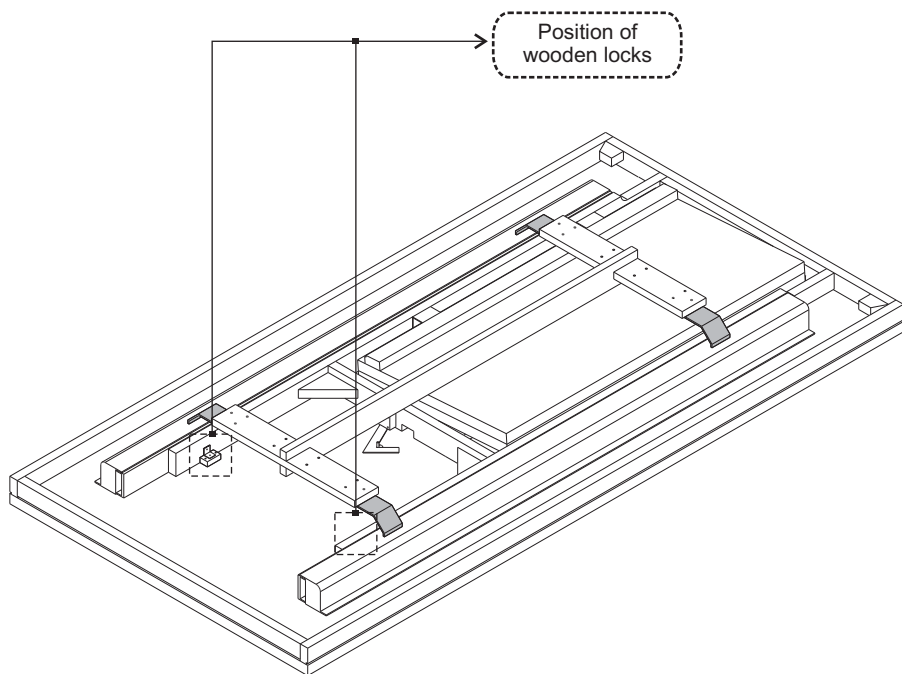


UNLOCKING THE TABLE TOP

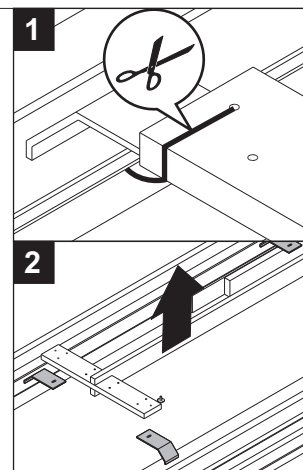
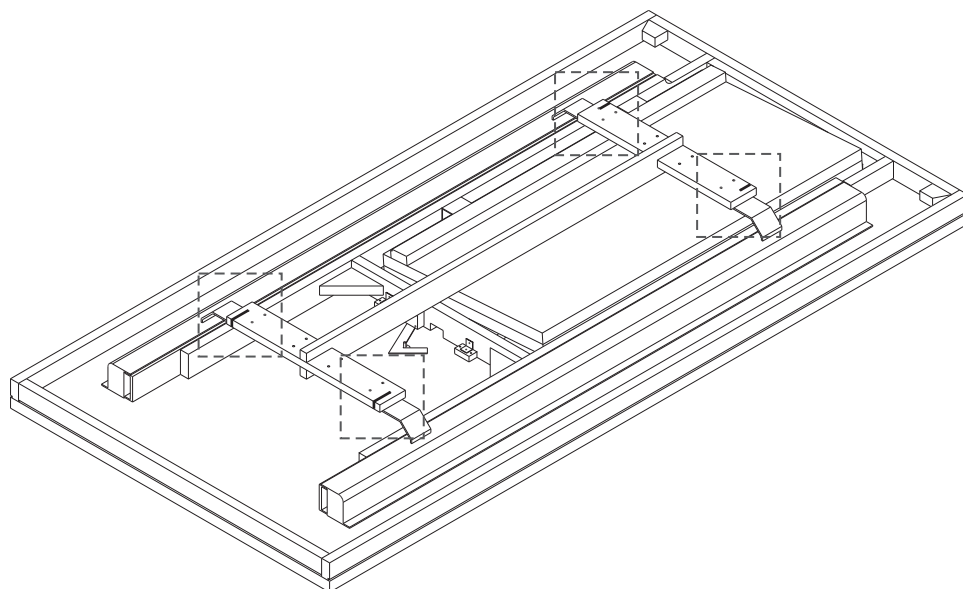


TEAK DOUBLE EXTENDABLE DINING TABLE
ASSEMBLY INSTRUCTIONS

A. REMOVING THE WOODEN LOCKER

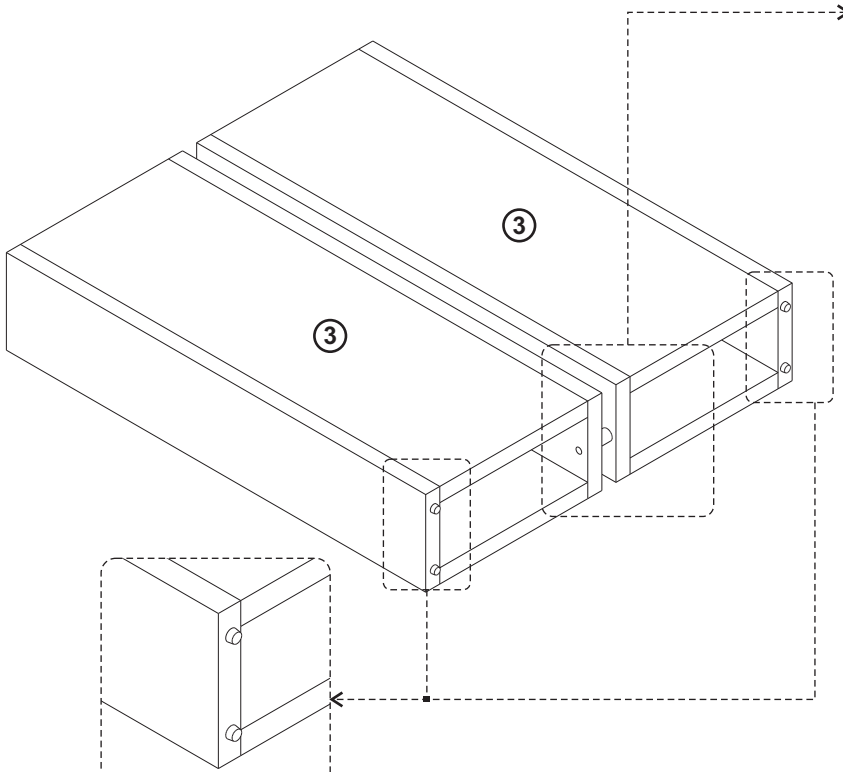


B. REMOVING THE CONNECTING BAR FROM THE TABLE TOP

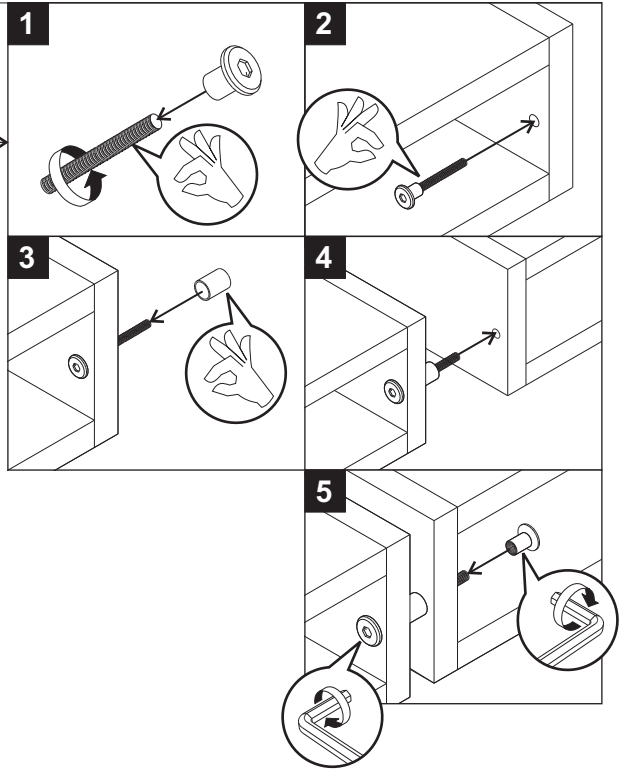


TEAK DOUBLE EXTENDABLE DINING TABLE
ASSEMBLY INSTRUCTIONS

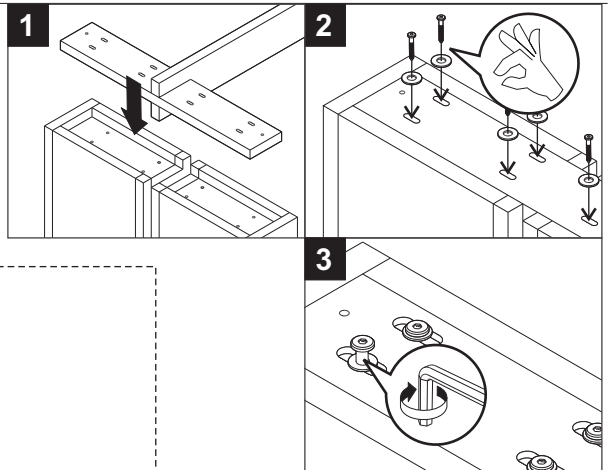
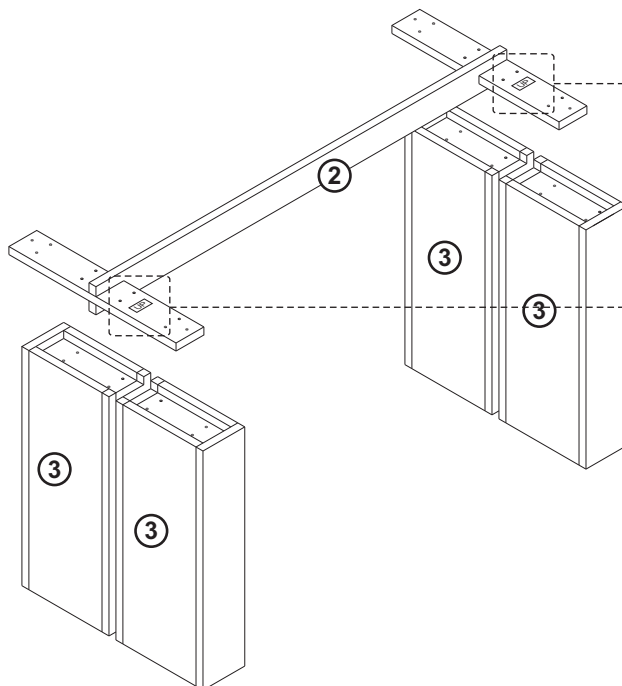
C. INSTALLING THE SPACER



PLASTIC SHOES AT THE OUTER SIDE OF THE LEGS



D. INSTALLING THE CONNECTING BAR



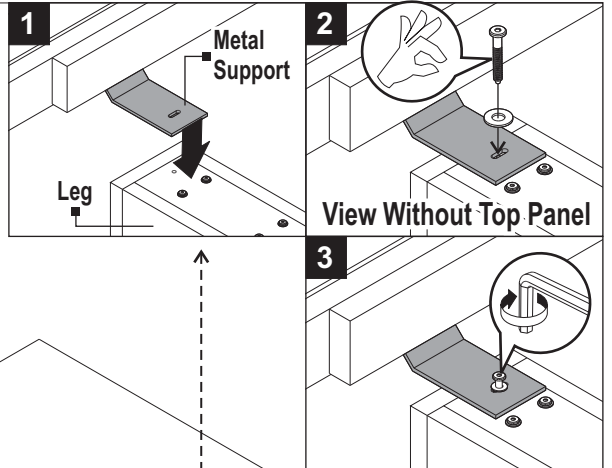
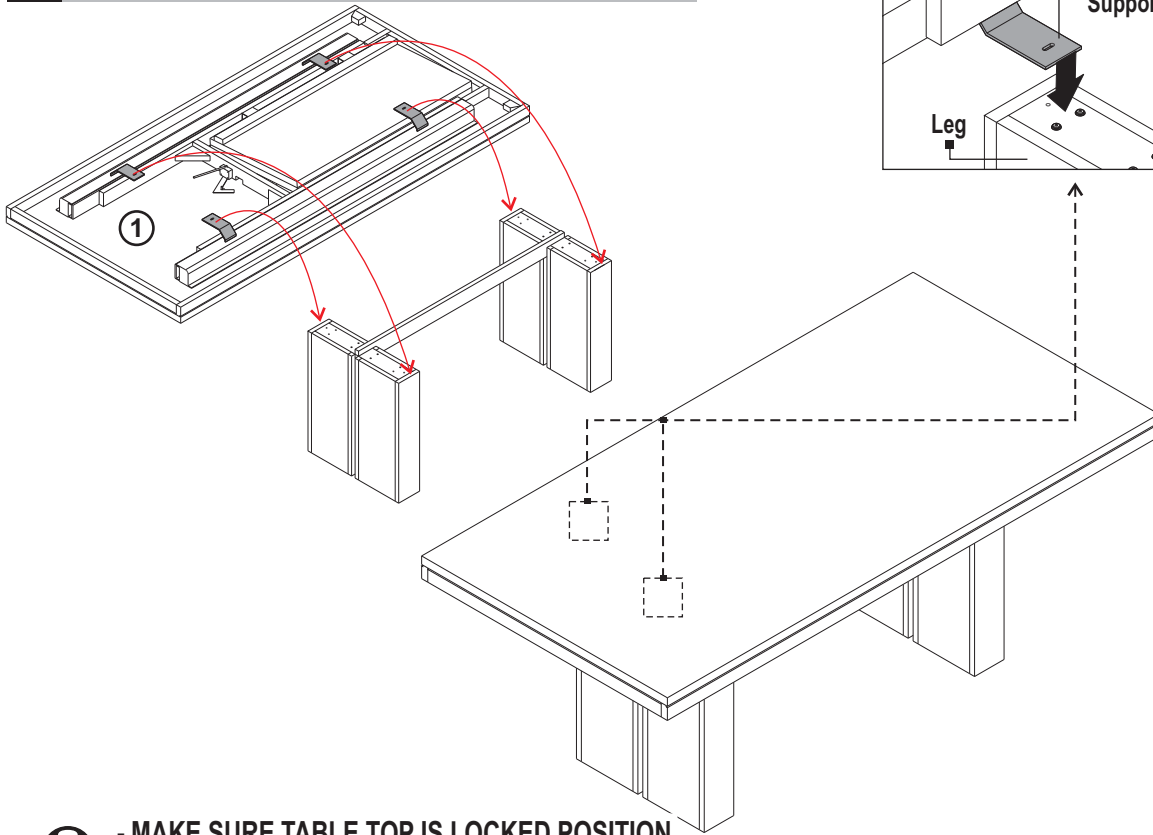
CONNECTING BAR IS FACING UP ACCORDING TO THE STICKER



- MAKE SURE THE CONNECTING BAR IS FACING UP ACCORDING TO THE STICKER
- USE JCBC SCREWS Ø 6 x 5cm

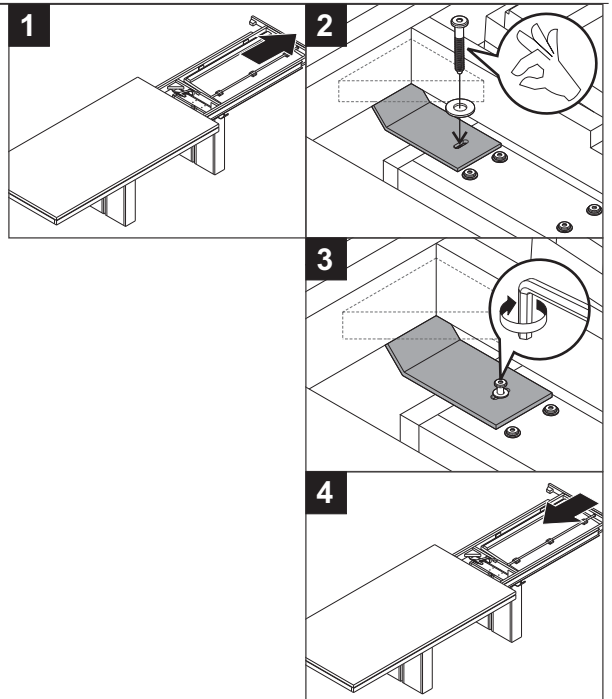
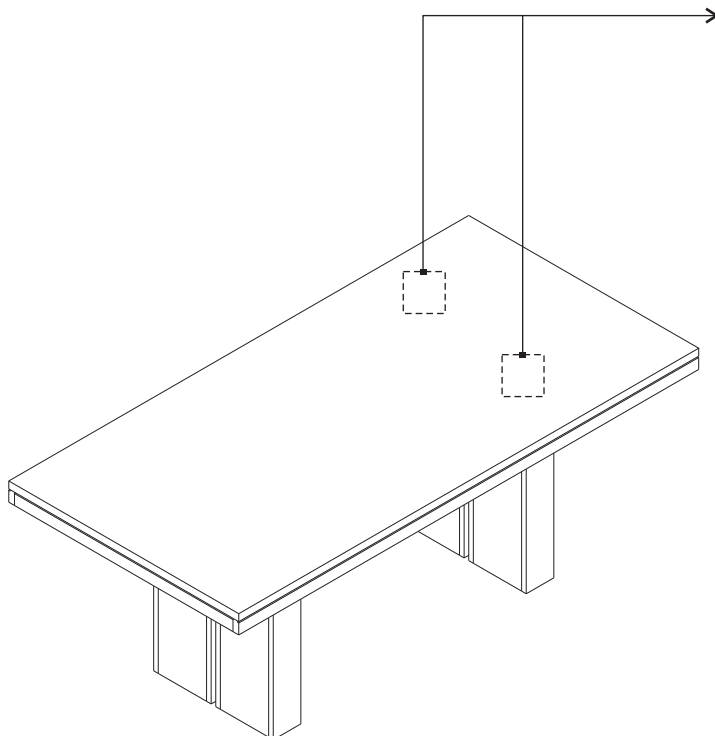
TEAK DOUBLE EXTENDABLE DINING TABLE
ASSEMBLY INSTRUCTIONS

E. INSTALLING THE FIXED PART OF THE TABLE TOP



- ⚠ - MAKE SURE TABLE TOP IS LOCKED POSITION
- USE JCBC SCREWS Ø 6 x 3cm

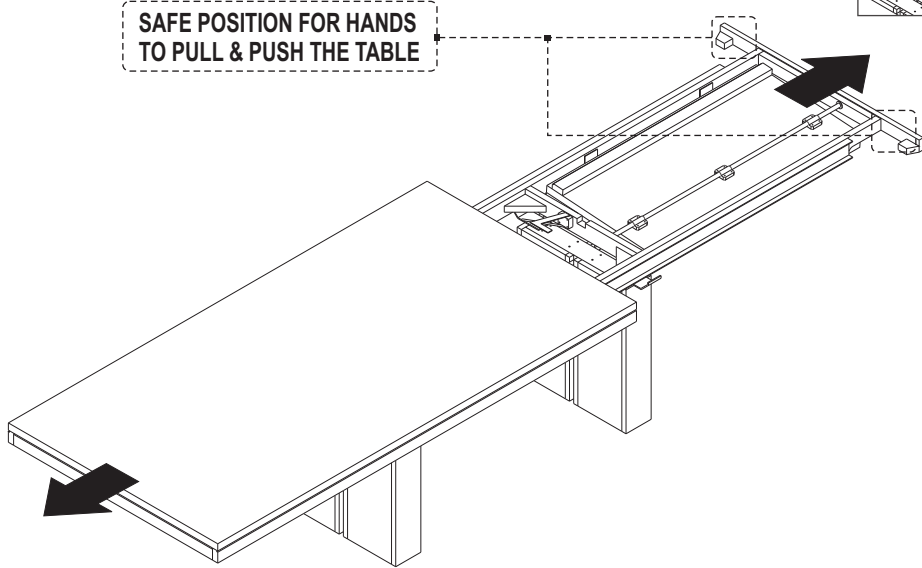
F. INSTALLING THE EXTENSION PART OF THE TABLE TOP



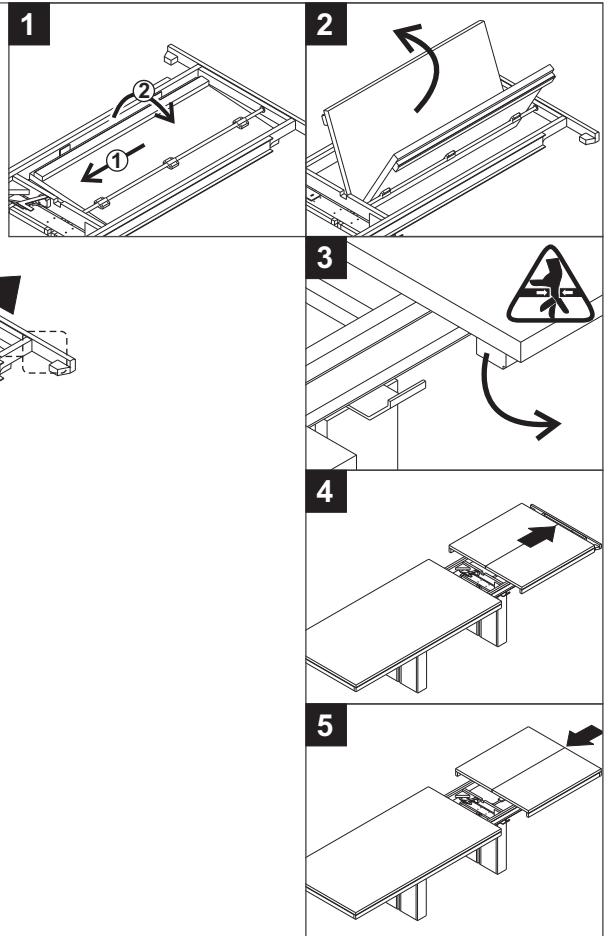
- ⚠ - MAKE SURE TABLE TOP IS IN UNLOCKED POSITION
- USE JCBC SCREWS Ø 6 x 3cm

TEAK DOUBLE EXTENDABLE DINING TABLE
INSTRUCTIONS ON HOW TO EXTEND & RETRACT YOUR DINING TABLE

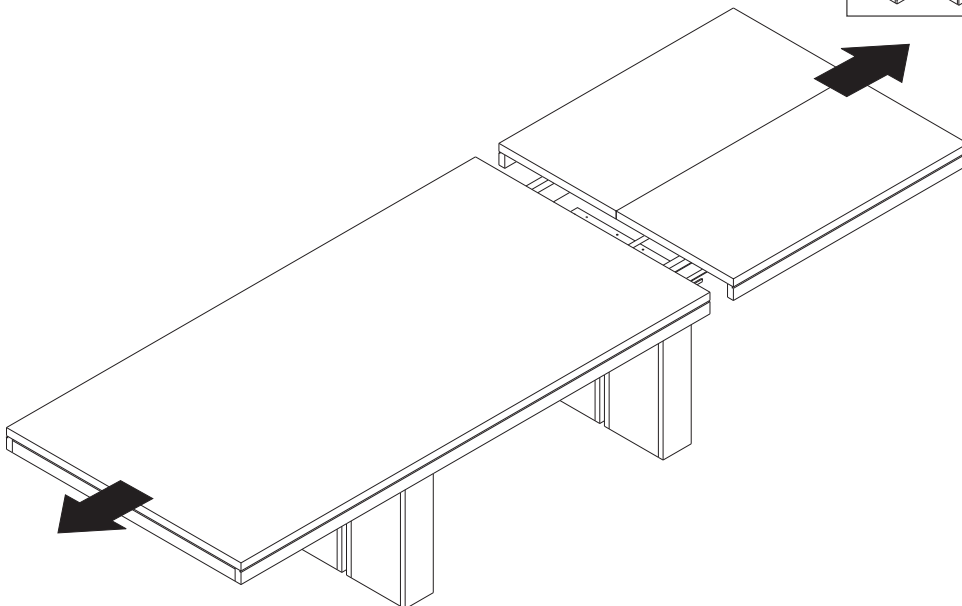
1. HOW TO EXTEND YOUR TABLE



- UNLOCK TABLE BEFORE EXTENDING
- MAKE SURE TABLE IS FULLY EXTENDED
- LOCK TABLE AFTER EXTENDING
- BE CAREFUL NOT TO HURT YOUR HANDS



2. HOW TO PUT YOUR DINING TABLE BACK TO ITS ORIGINAL SIZE



- UNLOCK TABLE TOP BEFORE DISMANTELING
- LOCK TABLE TOP AFTER RETRACTION

