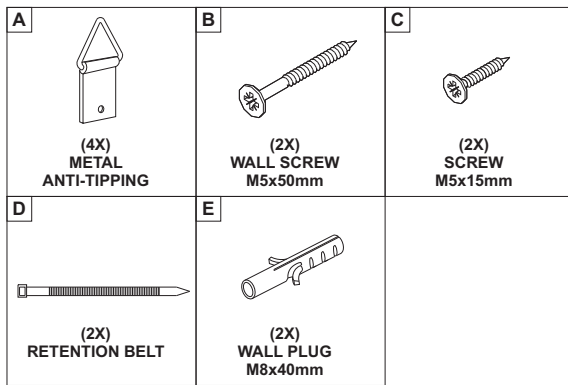
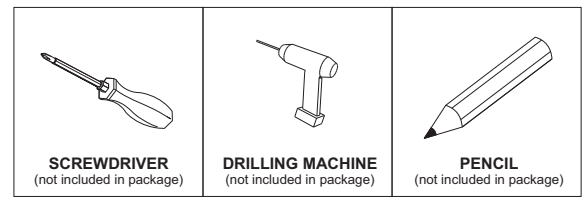


HARDWARE ENCLOSED



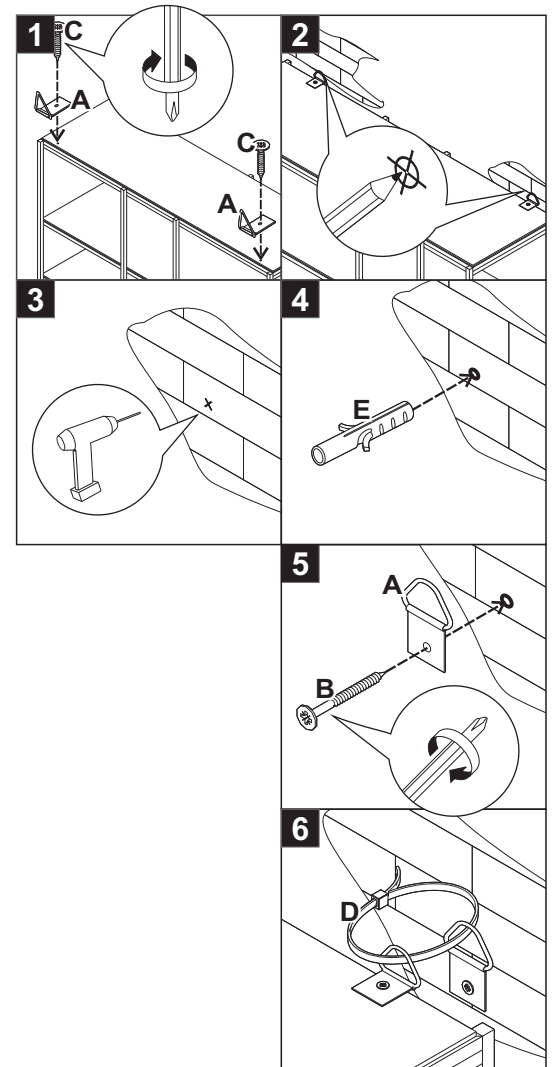
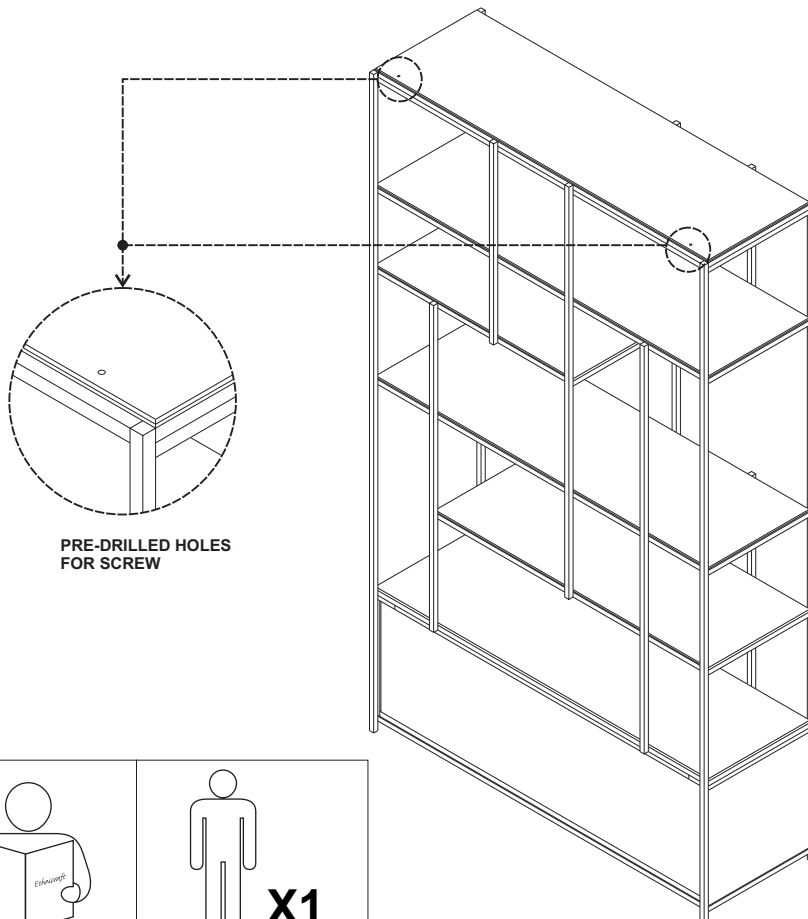
TOOLS



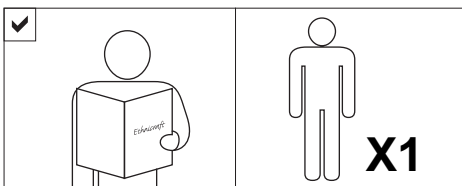
INSTALLING ANTI-TIPPING SYSTEM



AS WALL MATERIALS VARY,
THE SCREW INCLUDED ARE FOR BRICK WALL.
FOR ADVICE ON SUITABLE SCREW SYSTEMS,
CONTACT YOUR LOCAL SPECIALISED DEALER.



NOTICE



INSTRUCTION

1. Install Metal Anti-tipping (A) with screw (C) to the top of the rack
2. Using a 1/4" diameter drill bit, drill the wall at the same level as the Metal anti-tipping (A) on the rack. Install the wall plug (E) into the hole.
3. Install Metal Anti-tipping (A) with screw (B) to the wall plug (E)
4. Connect the Metal anti-tippings (A) using retention belt (D). Once pulled to the required position, the retention belt will automatically lock and cannot be opened. Cut the free end for a neater look.