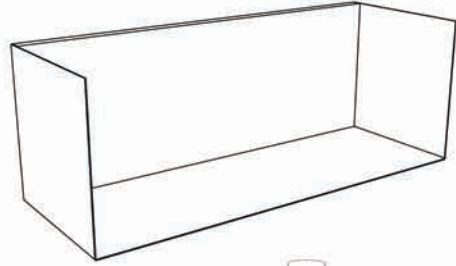


Ethnicraft

U-SHELF

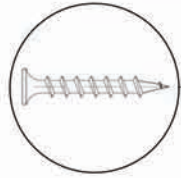


21kg

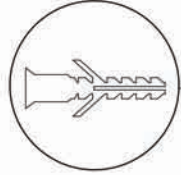
MAXIMUM LOAD

ASSEMBLY INSTRUCTIONS

HARDWARE (included in package)

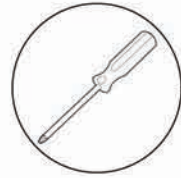


Wall screw f5x50 - 2pcs



Wall plug 08x40 - 2pcs

Tools (NOT included in package)



Screwdriver

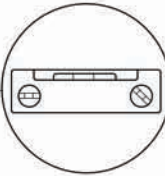
Drill machine



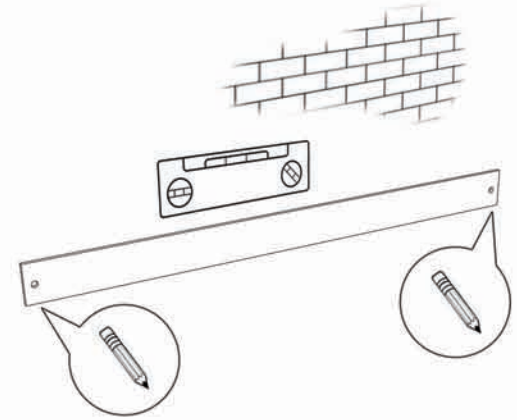
Pencil



Leveler

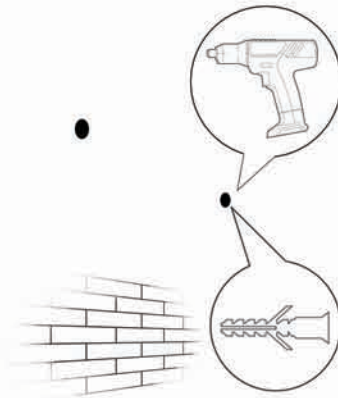


1.



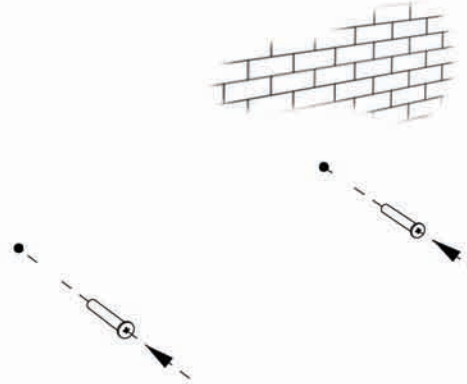
- Place the stencil on the wall and mark the position of the holes
- Use leveler to find horizontal

2.



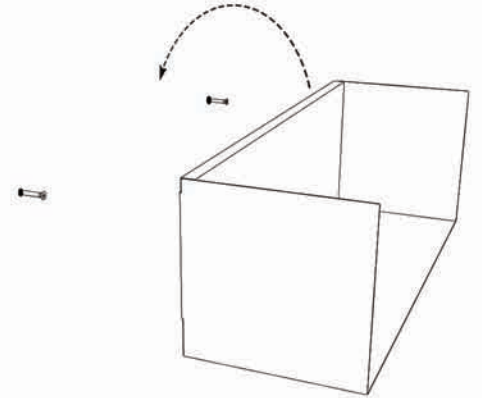
- Drill the marked holes
- Insert wall plugs

3.



- Insert the wall screws into the wall plugs

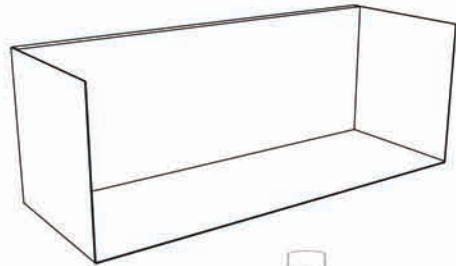
4.



- Hang assembly on the wall screws

Ethnicraft

U-SHELF



21kg

MAXIMUM LOAD

ASSEMBLY INSTRUCTIONS