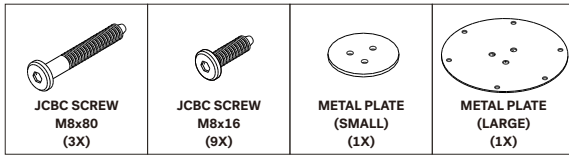
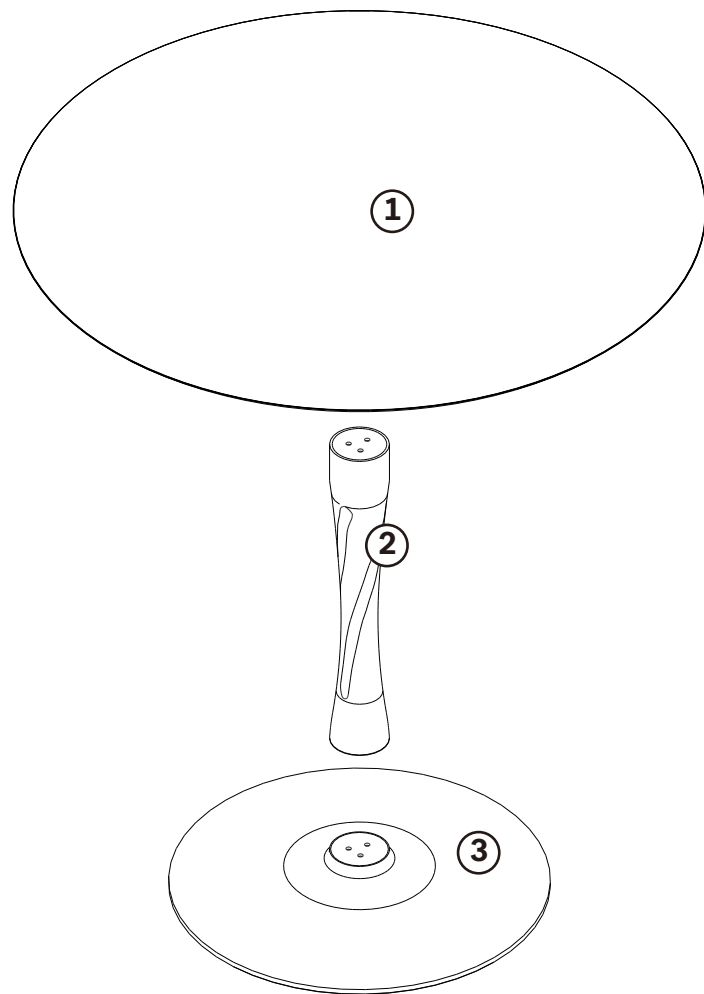
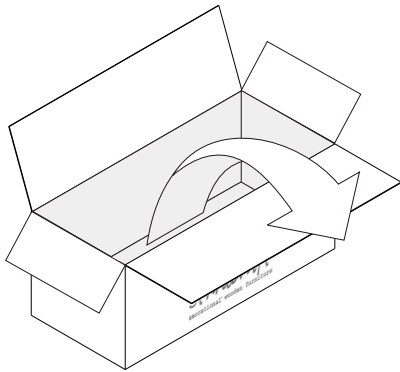
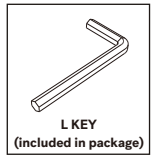


OAK TORSION DINING TABLE Ø90 / Ø127 ASSEMBLY INSTRUCTIONS FOR TABLE INSTALLATION

HARDWARE ENCLOSED



TOOL



IN YOUR PACKAGE :

ASSEMBLY INSTRUCTION
HARDWARES (AS LISTED ABOVE)

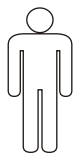
PARTS TO BE INSTALLED

1. TABLE TOP 1 pc
2. CENTER LEG 1 pc
3. LEG BASE 1pc

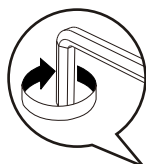
SYMBOLS



DIRECTION

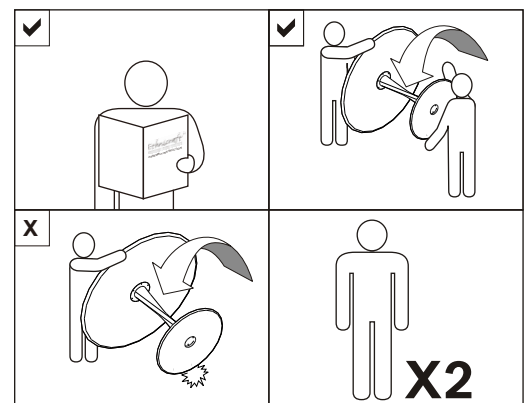


NUMBER OF
PERSONS NEEDED



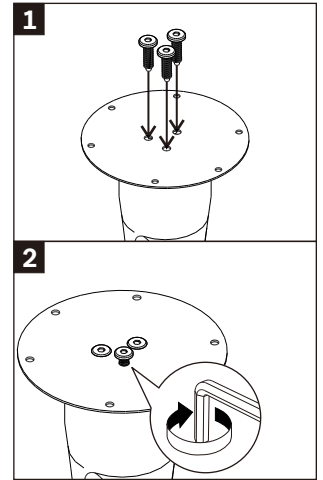
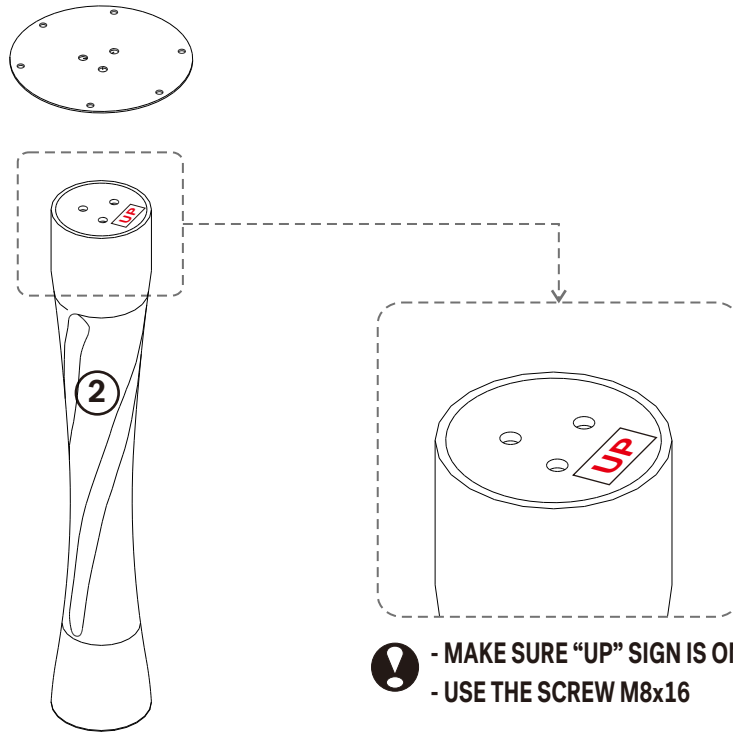
USE L KEY
TO TIGHTEN

NOTICE



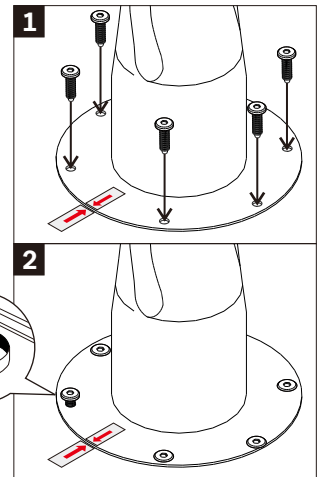
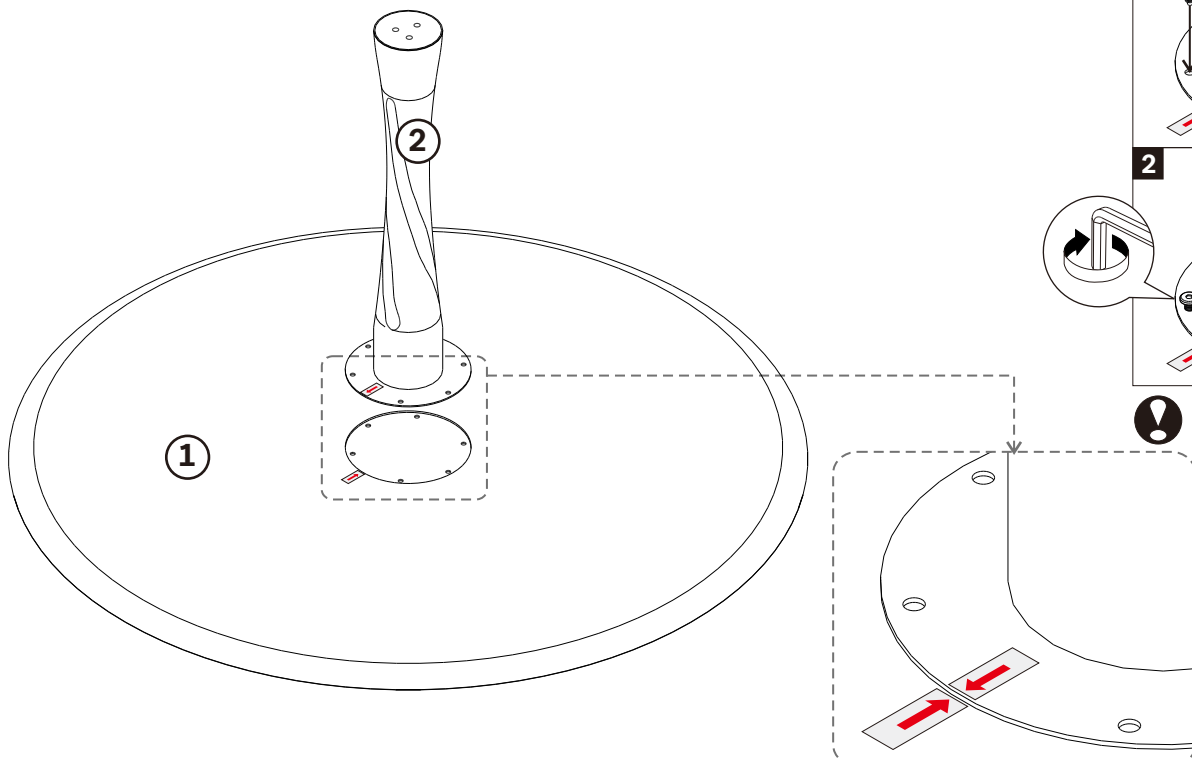
OAK TORSION DINING TABLE Ø90 / Ø127 ASSEMBLY INSTRUCTIONS FOR TABLE INSTALLATION

A INSTALLING METAL PLATE TO THE CENTER LEG



! TIGHTEN FULLY

B INSTALLING CENTER LEG TO TOP TABLE

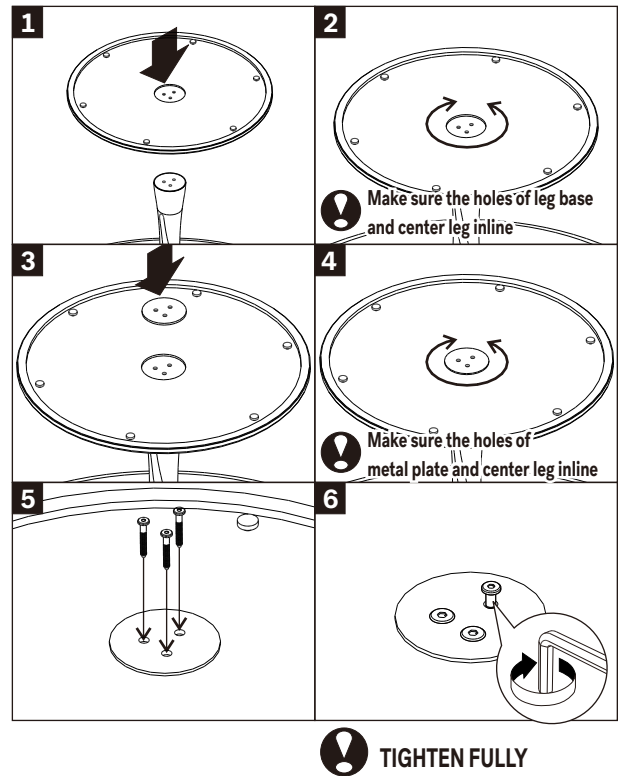
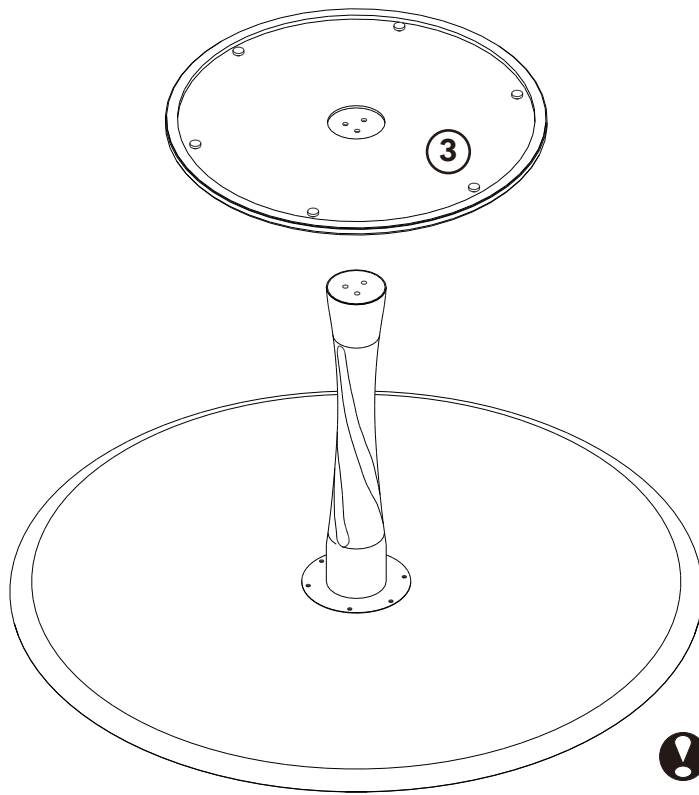


! TIGHTEN FULLY

! - ALWAYS REFER THE STICKER
- USE THE SCREW M8x16

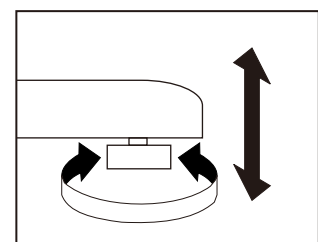
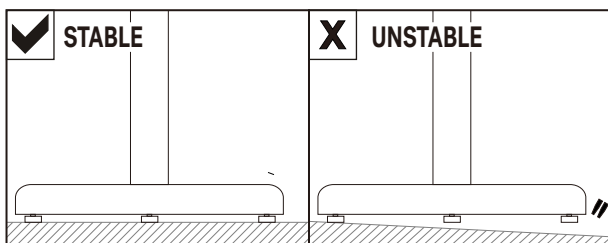
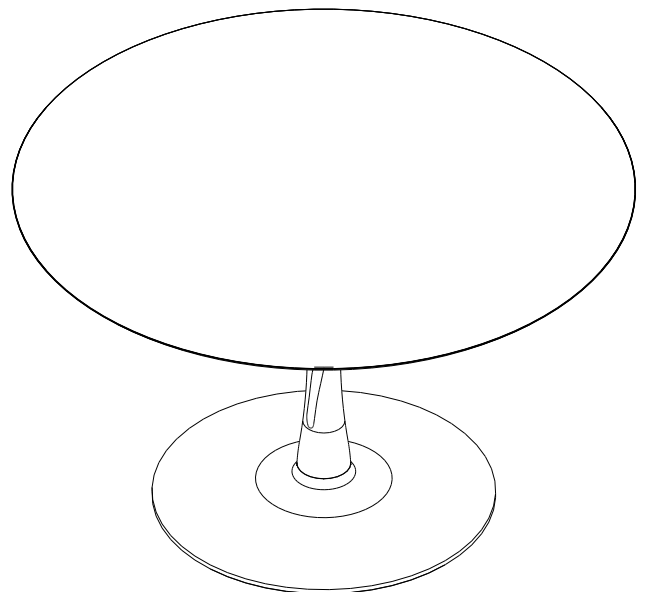
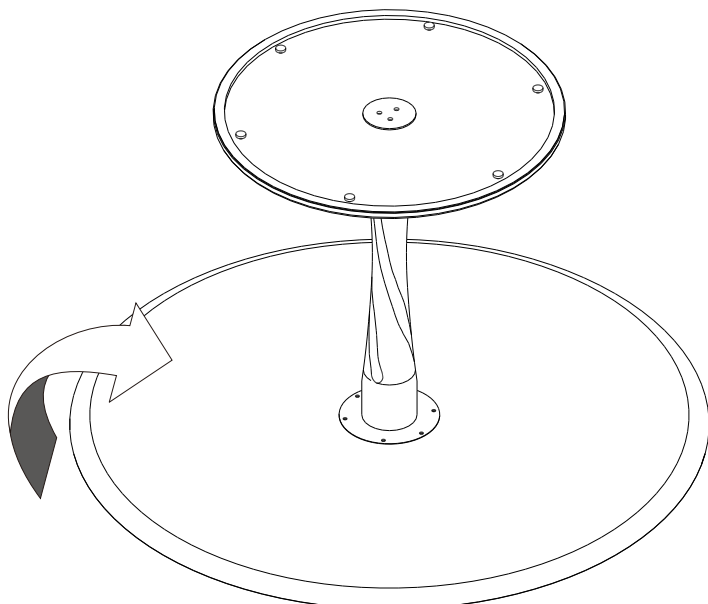
OAK TORSION DINING TABLE Ø90 / Ø127
 ASSEMBLY INSTRUCTIONS FOR TABLE INSTALLATION

C INSTALLING LEG BASE



! USE THE SCREW M8x80

D ADJUSTING RUBBER PAD



NOTE:
 THIS IS A COMPULSORY ACTION TO MAKE SURE
 ALL OF THE RUBBER PADS TOUCH THE GROUND!